



US00D724267S

(12) **United States Design Patent**
Thornley

(10) **Patent No.:** **US D724,267 S**
(45) **Date of Patent:** **** Mar. 10, 2015**

- (54) **FLAT IRON**
- (71) Applicant: **Dave Thornley**, Logan, UT (US)
- (72) Inventor: **Dave Thornley**, Logan, UT (US)
- (73) Assignee: **Lifestyle Products, LLC**, Logan, UT (US)
- (**) Term: **14 Years**
- (21) Appl. No.: **29/481,704**
- (22) Filed: **Feb. 10, 2014**
- (51) **LOC (10) Cl.** **28-03**
- (52) **U.S. Cl.**
USPC **D28/35**
- (58) **Field of Classification Search**
CPC A45D 1/00–1/18; A45D 2/00–2/002
USPC D28/35–38; 219/222–226
See application file for complete search history.

- D596,798 S * 7/2009 Keong D28/35
- D620,195 S * 7/2010 Overend et al. D28/35
- D645,614 S * 9/2011 Kim D28/35
- 2013/0192625 A1 * 8/2013 Migliori et al. 132/211

* cited by examiner

Primary Examiner — Jennifer Rivard
(74) *Attorney, Agent, or Firm* — Preston P. Frischknecht; Project CIP

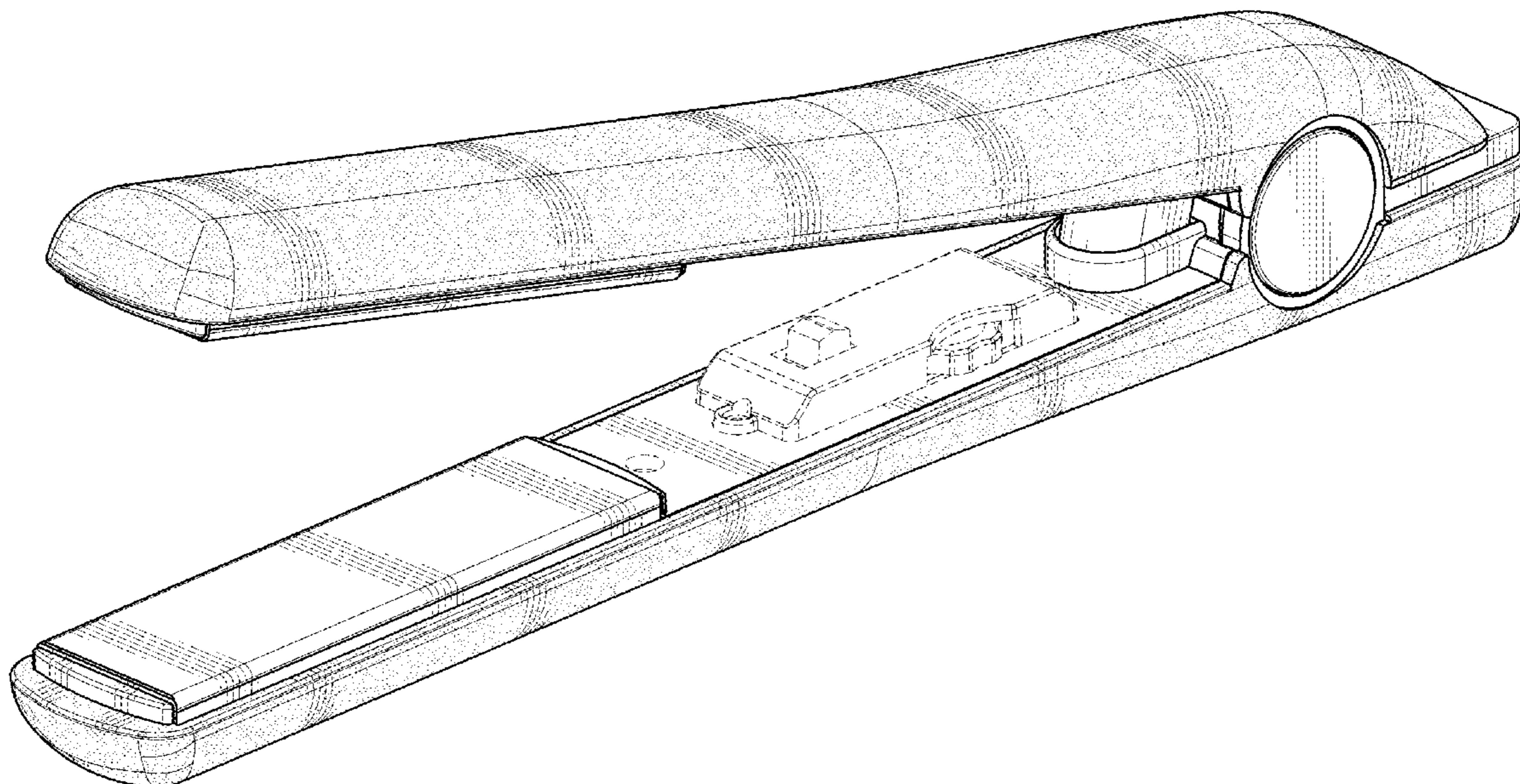
(57) **CLAIM**
I claim the ornamental design for a flat iron, as shown and described.

DESCRIPTION

FIG. 1 is an isometric view showing the design;
FIG. 2 is a back perspective view showing the design;
FIG. 3 is a left side view showing the design;
FIG. 4 is a right side view showing the design;
FIG. 5 is a top view showing the design;
FIG. 6 is a bottom view showing the design;
FIG. 7 is a front view showing the design;
FIG. 8 is a back view showing the design; and,
FIG. 9 is an alternate isometric view showing the design.
The broken lines illustrate portions of the flat iron and form no part of the claimed design.

- (56) **References Cited**
U.S. PATENT DOCUMENTS
- D485,011 S * 1/2004 Nam D28/35
- D511,023 S * 10/2005 Cho D28/35
- D559,447 S * 1/2008 Leung D28/35
- D575,453 S * 8/2008 Overend D28/35

1 Claim, 6 Drawing Sheets



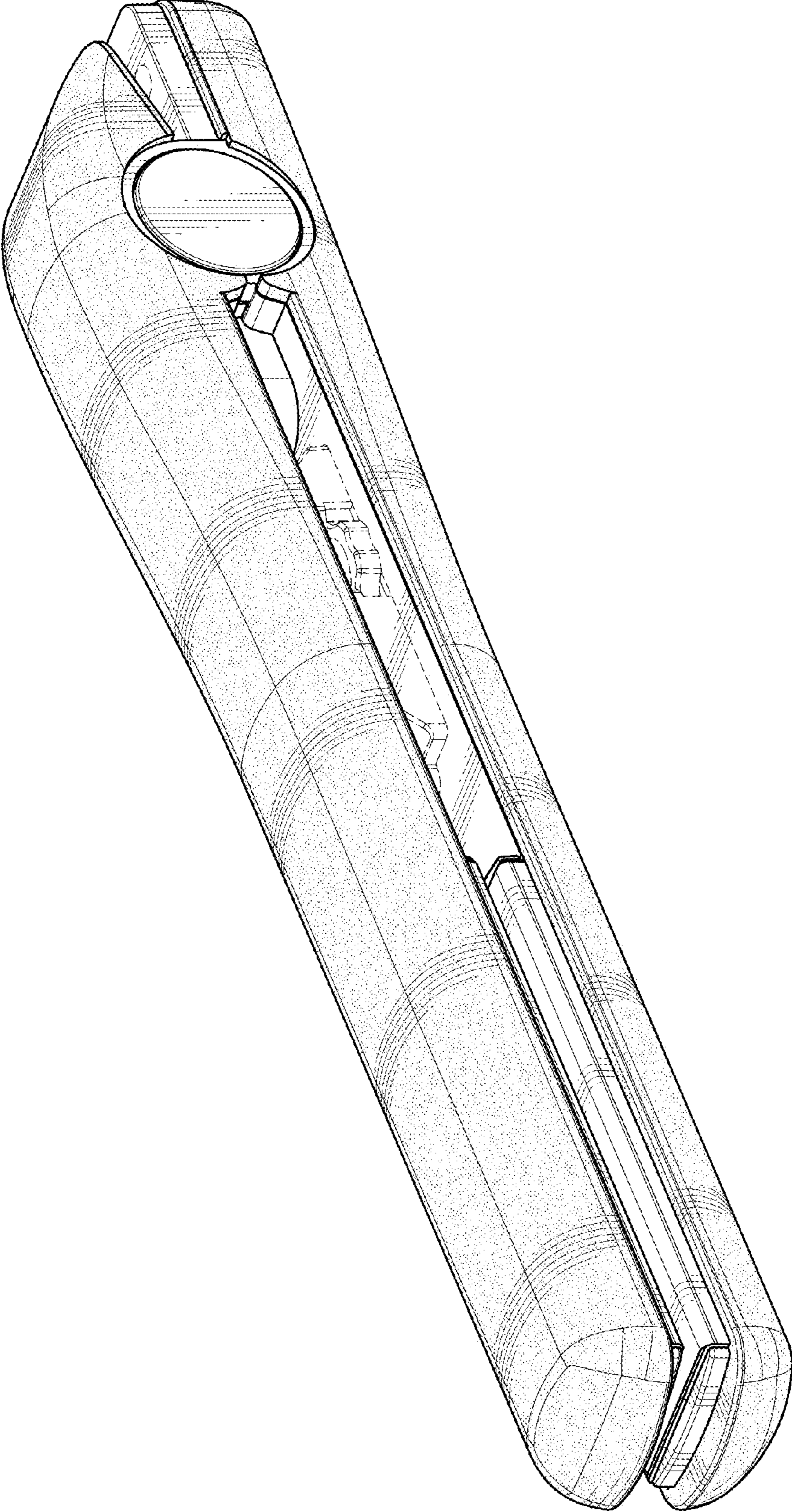


Fig. 1

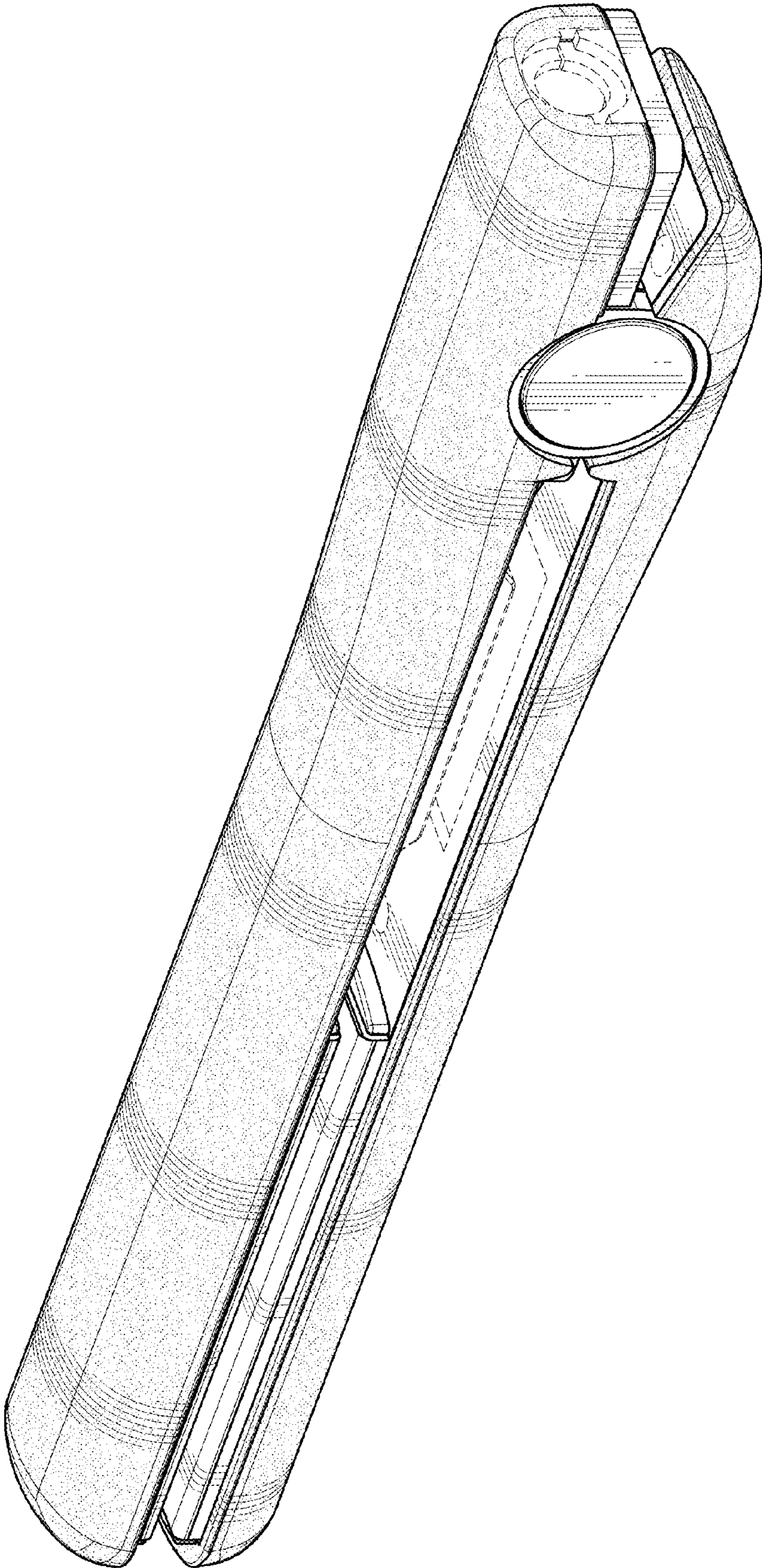


Fig. 2

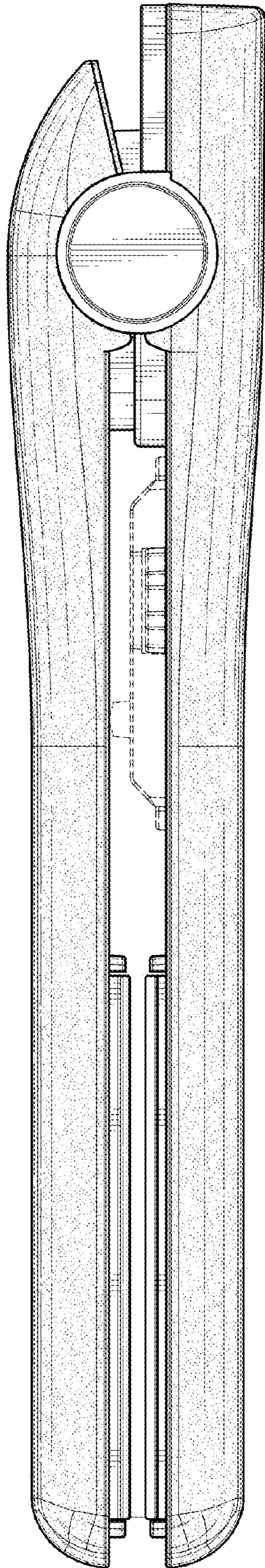


Fig. 3

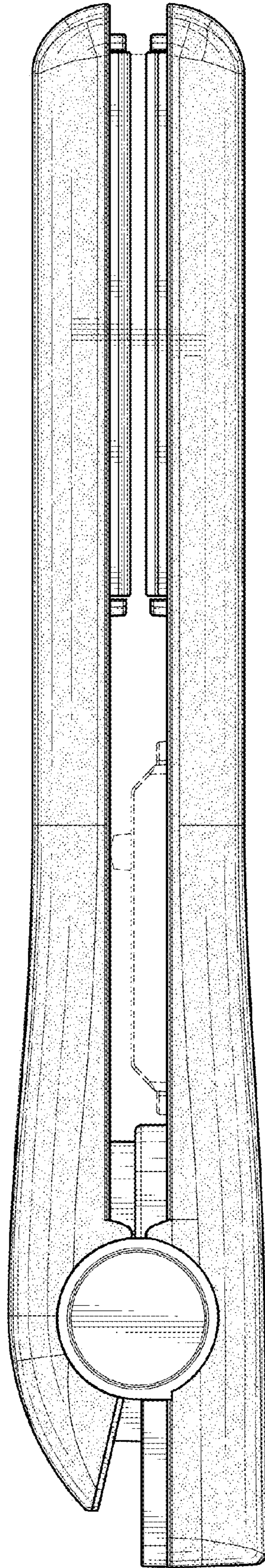


Fig. 4

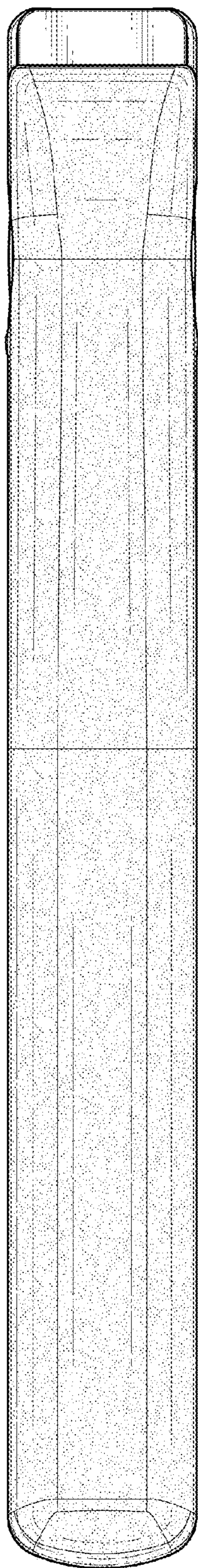


Fig. 5

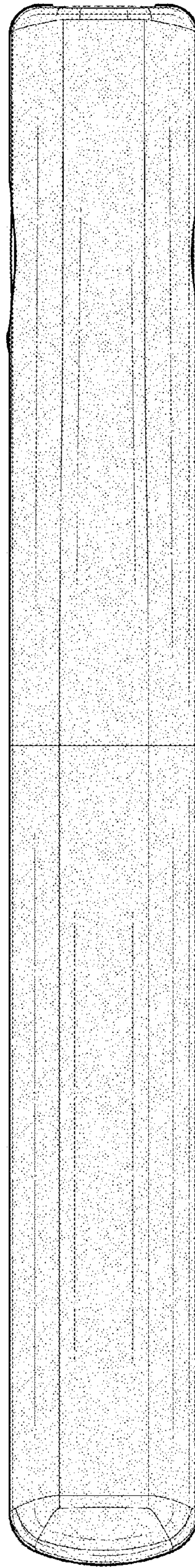


Fig. 6

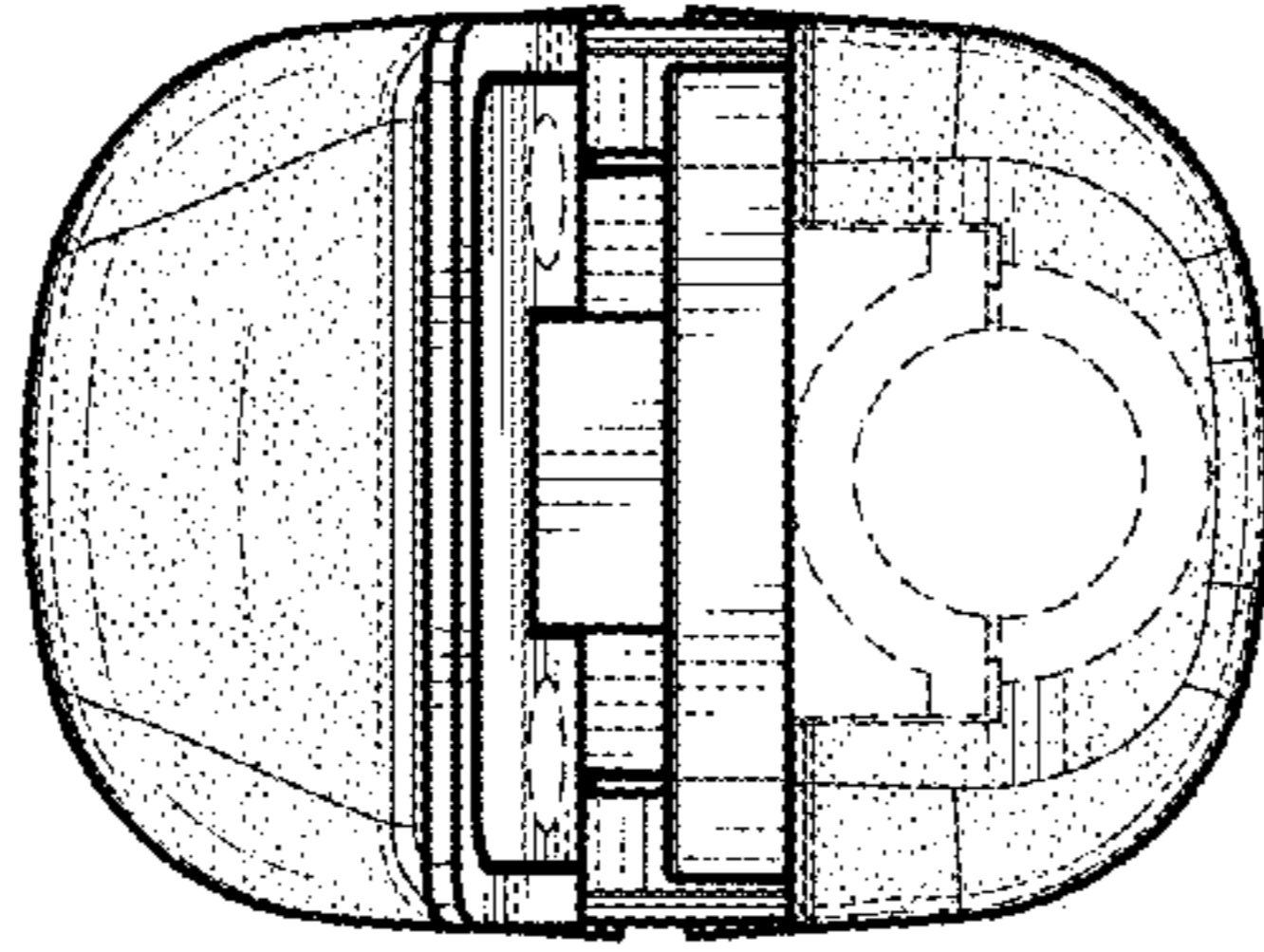


Fig. 8

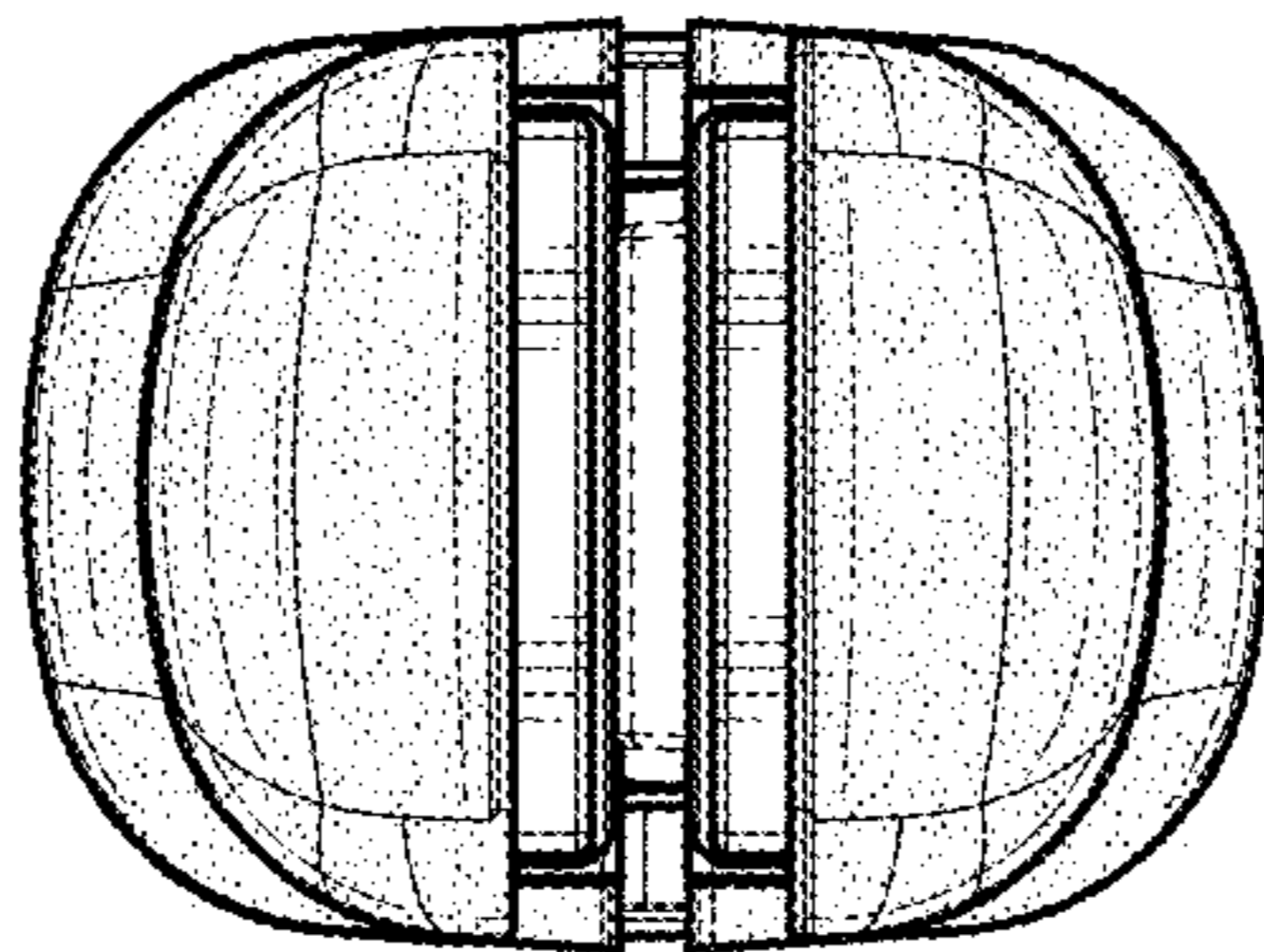


Fig. 7

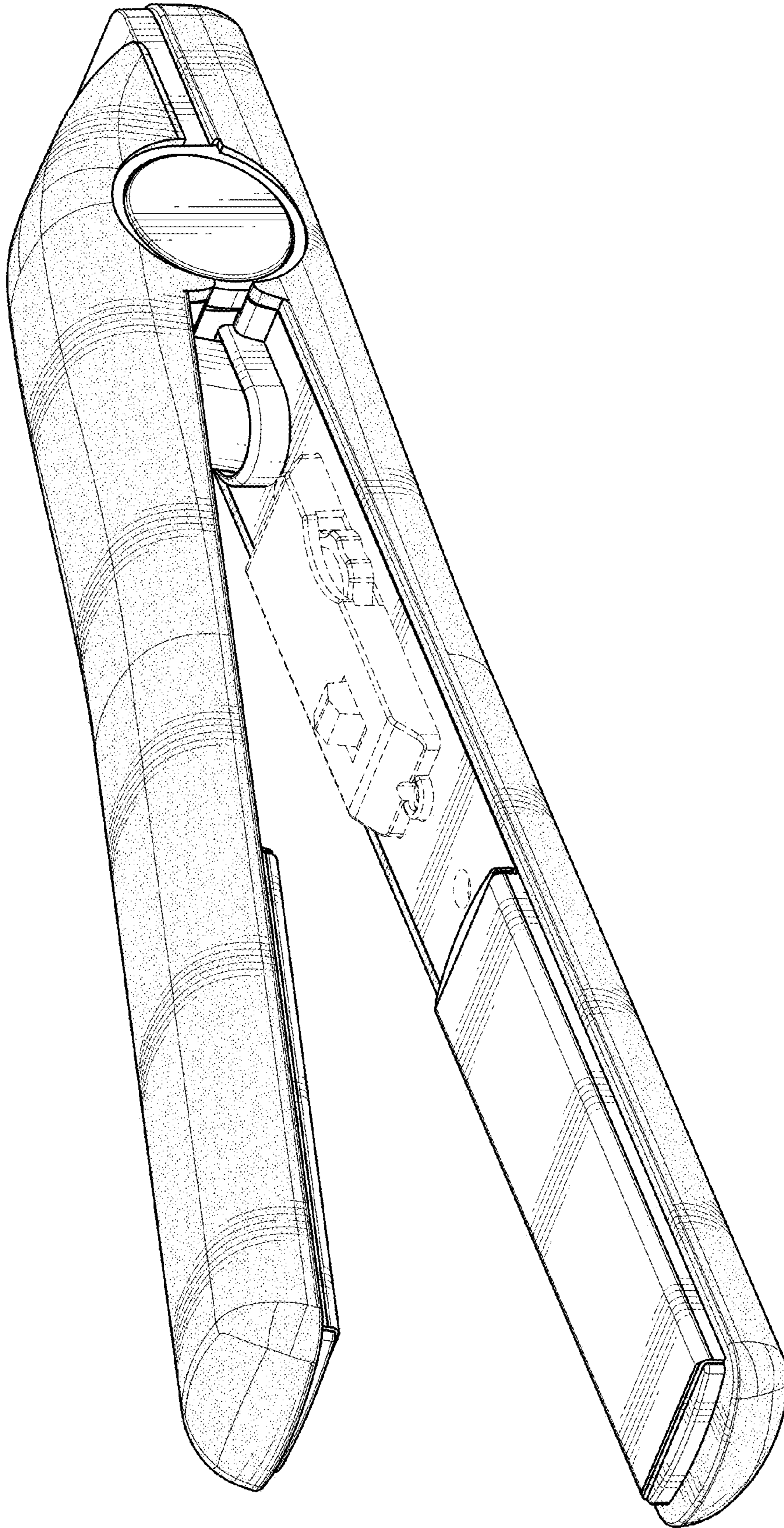


Fig. 9