

US00D724266S

(12) **United States Design Patent**
Hill

(10) **Patent No.:** **US D724,266 S**
(45) **Date of Patent:** **** Mar. 10, 2015**

(54) **EYE BROW AND EYE LASH GROOMING TOOL**

(71) Applicant: **Lloyd R. Hill**, Santa Ana, CA (US)

(72) Inventor: **Lloyd R. Hill**, Santa Ana, CA (US)

(**) Term: **14 Years**

(21) Appl. No.: **29/488,568**

(22) Filed: **Apr. 21, 2014**

(51) **LOC (10) Cl.** **28-03**

(52) **U.S. Cl.**
USPC **D28/21**

(58) **Field of Classification Search**
CPC A45D 24/00
USPC D28/7, 20-34; 132/53, 112, 126, 150,
132/208, 219.216; D32/49; 15/142, 143.1;
D30/158, 159
See application file for complete search history.

(56) **References Cited**

U.S. PATENT DOCUMENTS

2,681,067 A * 6/1954 Zarcone 132/161
3,335,731 A * 8/1967 Bulow 132/150

3,343,551 A * 9/1967 Anderson 132/218
D284,412 S * 6/1986 O'Connor et al. D28/25
D315,428 S * 3/1991 Davies D28/30
D609,399 S * 2/2010 McCarthy D28/21

* cited by examiner

Primary Examiner — Zenia Bennett

(74) *Attorney, Agent, or Firm* — Morland C. Fischer

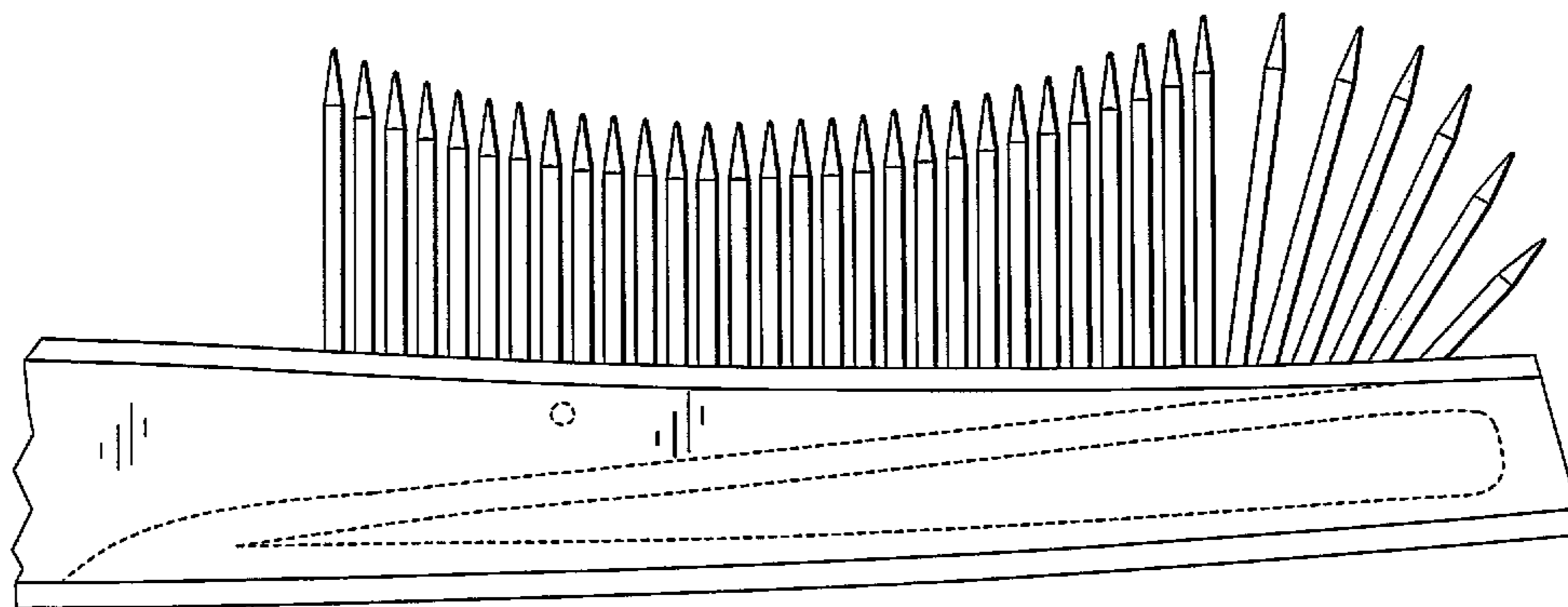
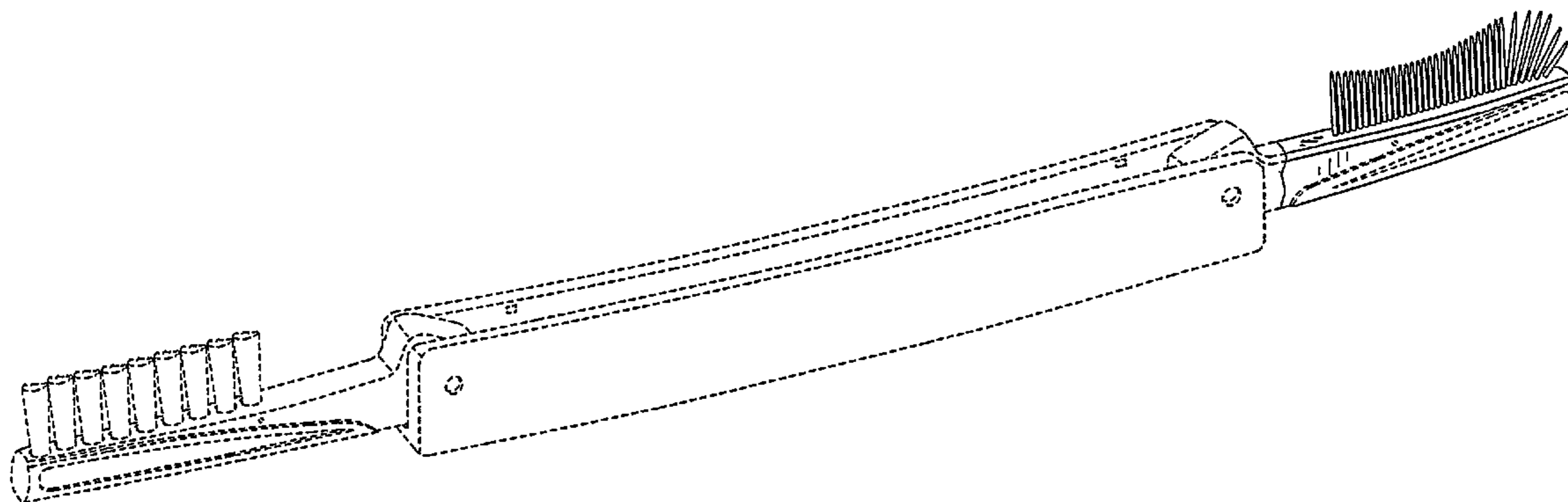
(57) **CLAIM**

The ornamental design for an eye brow and eye lash grooming tool, as shown and described.

DESCRIPTION

FIG. 1 is a perspective view showing the top, rear and left side of an eye brow and eye lash grooming tool which forms my design, the broken lines illustrating portions of a pick handle in this and other figures being for environmental purposes only and forming no part of my design; FIG. 2 is a top plan view thereof; FIG. 3 is a left side elevational view thereof, this view and the opposite right side elevational view being identical; FIG. 4 is a front elevational view thereof; and, FIG. 5 is a bottom plan view thereof.

1 Claim, 2 Drawing Sheets



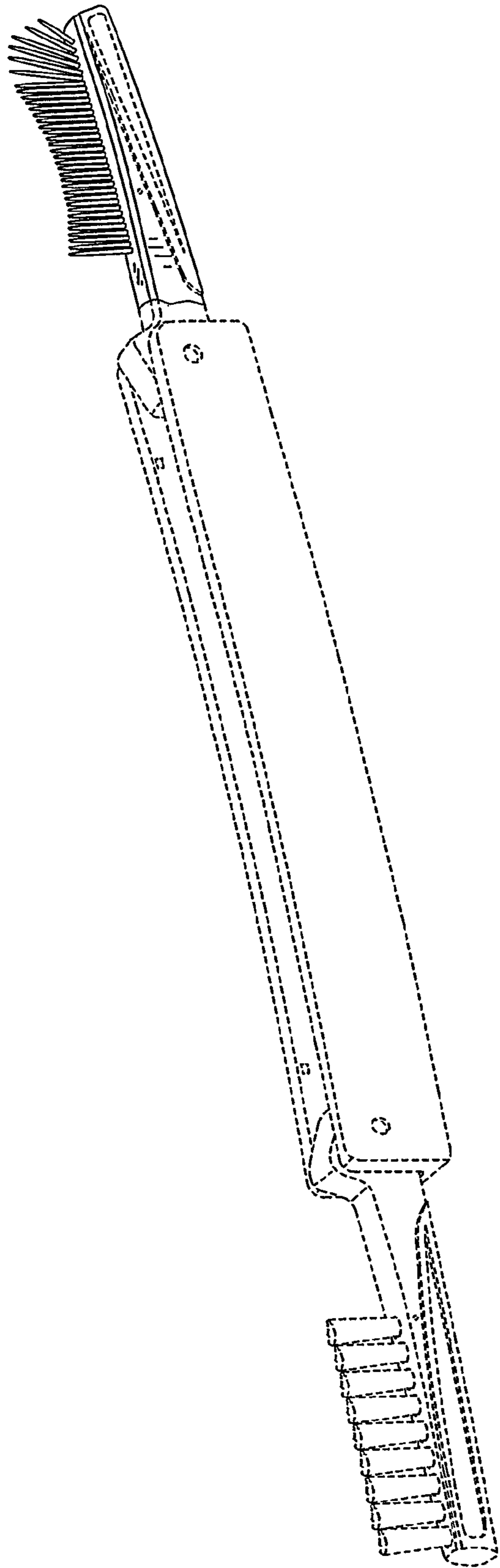


Fig. 1

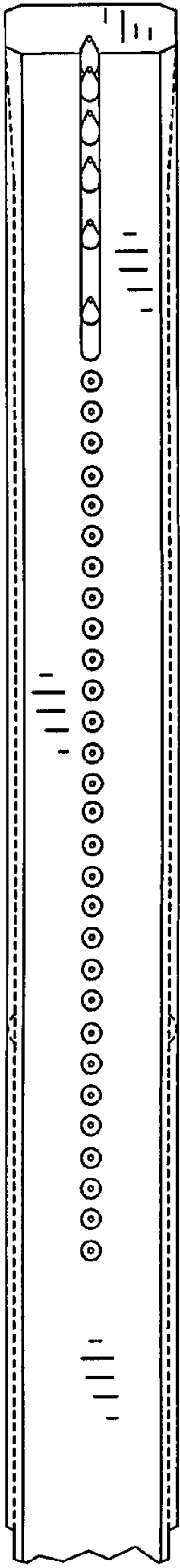


Fig. 2

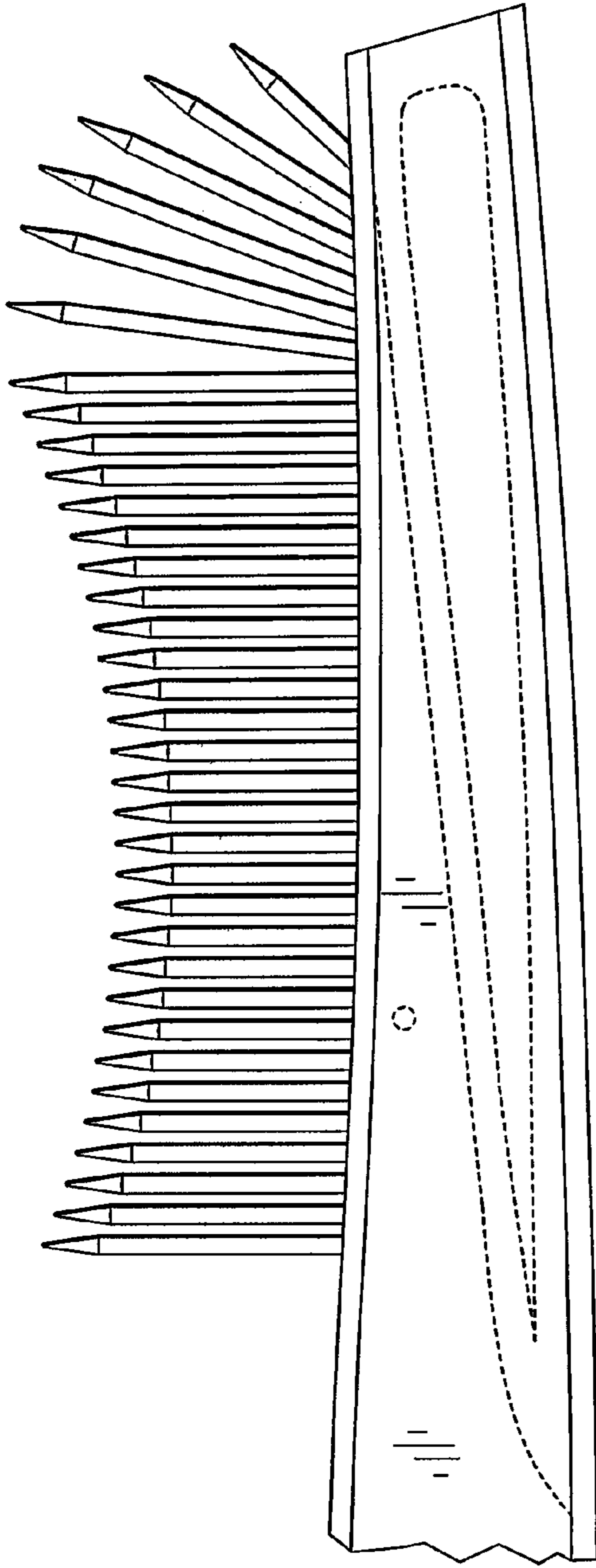


Fig. 3

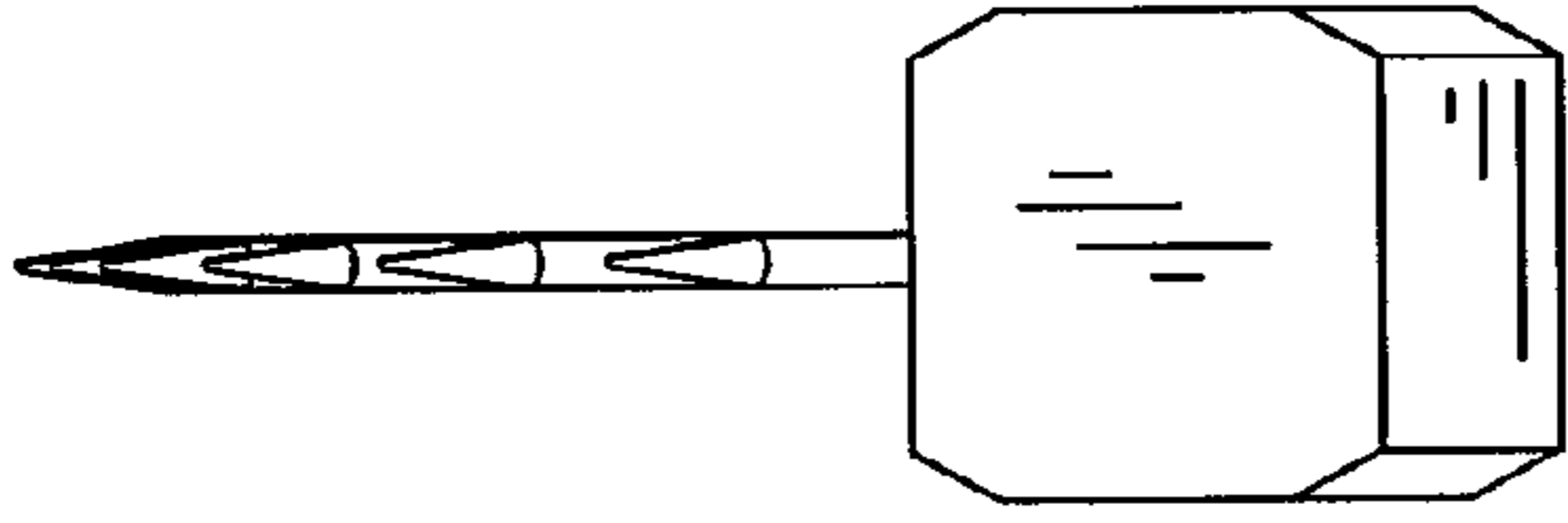


Fig. 4

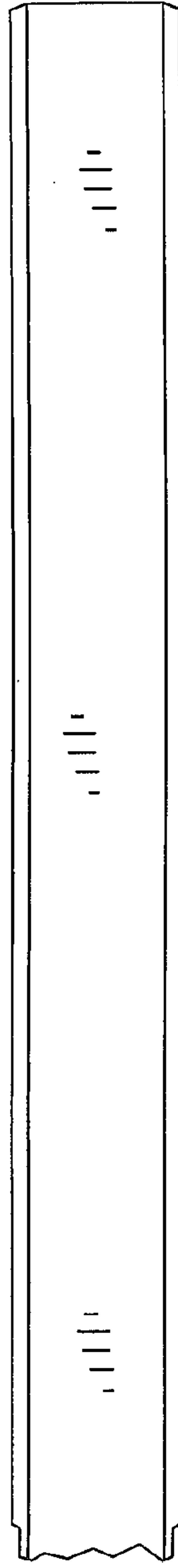


Fig. 5