



US00D724263S

(12) **United States Design Patent**
Malhi

(10) **Patent No.:** **US D724,263 S**
(45) **Date of Patent:** **** Mar. 10, 2015**

(54) **ELECTRONIC SMOKING DEVICE**

(71) Applicant: **Anil K. Malhi**, Riverside, CA (US)

(72) Inventor: **Anil K. Malhi**, Riverside, CA (US)

(**) Term: **14 Years**

(21) Appl. No.: **29/476,841**

(22) Filed: **Dec. 17, 2013**

(51) **LOC (10) Cl.** **27-01**

(52) **U.S. Cl.**

USPC **D27/101**; D27/163

(58) **Field of Classification Search**

CPC A24F 1/02; A24F 1/04; A24F 1/06;
A24F 1/08; A24F 1/10; A24F 1/12; A24F
1/14; A24F 1/22; A24F 9/16; A24F
47/002–47/008; A24F 1/30; A24F 47/00
USPC D27/100–101, 106, 143, 152, 161–172,
D27/183–184, 187, 189, 190, 193–194;
131/220–222, 226, 173, 174, 194,
131/328–330, 270, 273; D7/584, 585;
D9/500, 502; D11/143, 144, 146, 152;
D24/110.5, 110

See application file for complete search history.

(56) **References Cited**

U.S. PATENT DOCUMENTS

251,340 A * 12/1881 Ginter 131/364
D404,517 S * 1/1999 Dal Monte D27/101
D405,221 S * 2/1999 Dal Monte D27/101
D532,927 S * 11/2006 Sann D27/101
D590,990 S 4/2009 Hon
D590,991 S 4/2009 Hon
D614,346 S * 4/2010 Lik D27/101

D644,375 S 8/2011 Zhou
D653,803 S 2/2012 Timmermans
D675,777 S * 2/2013 Wu D27/101
8,375,957 B2 2/2013 Hon
D685,522 S 7/2013 Potter et al.
D687,181 S 7/2013 Goch
D691,324 S 10/2013 Saliman
2010/0031968 A1 2/2010 Sheikh et al.
2012/0260926 A1 10/2012 Tu et al.
2013/0068239 A1 3/2013 Youn

* cited by examiner

Primary Examiner — Susan Bennett Hattan

Assistant Examiner — Janice Hallmark

(74) *Attorney, Agent, or Firm* — Robert J. Lauson, Esq.;
Lauson & Tarver LLP

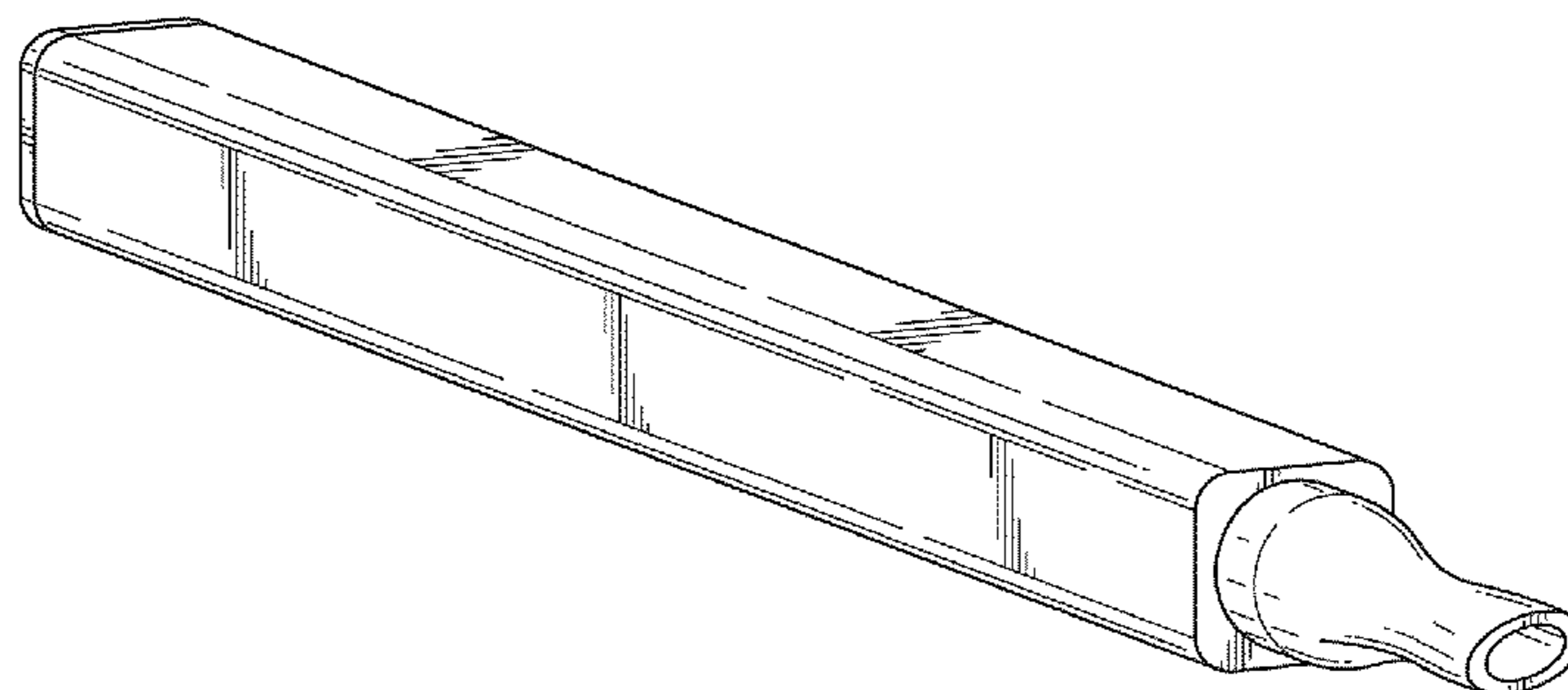
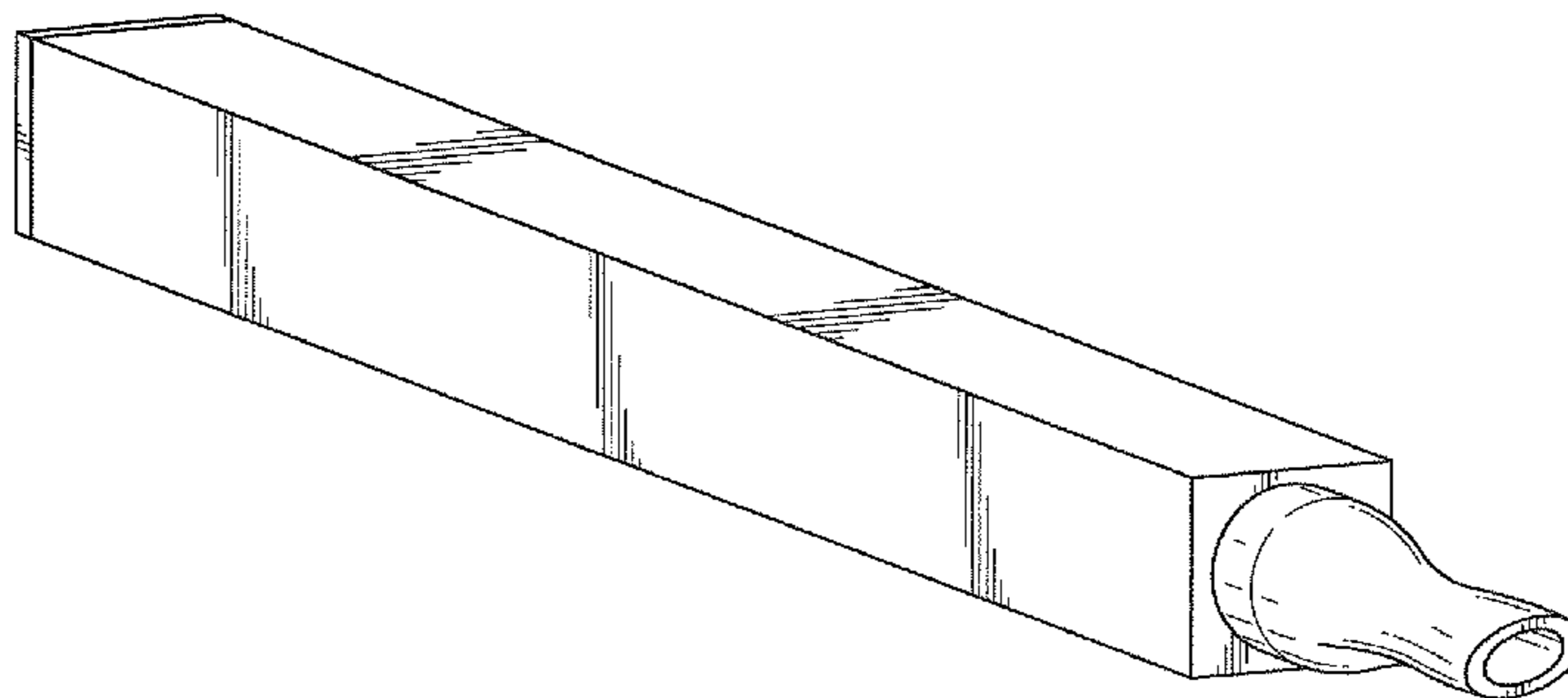
(57) **CLAIM**

The ornamental design for an electronic smoking device, as shown and described.

DESCRIPTION

FIG. 1 is a perspective view of a first embodiment of an electronic smoking device showing my new design;
FIG. 2 is a front view thereof;
FIG. 3 is a rear view thereof;
FIG. 4 is a left side view thereof;
FIG. 5 is a top plan view thereof;
FIG. 6 is a perspective view of a second embodiment of an electronic smoking device showing my new design;
FIG. 7 is a front view thereof;
FIG. 8 is a rear view thereof;
FIG. 9 is a left side view thereof; and,
FIG. 10 is a top view thereof.

1 Claim, 2 Drawing Sheets



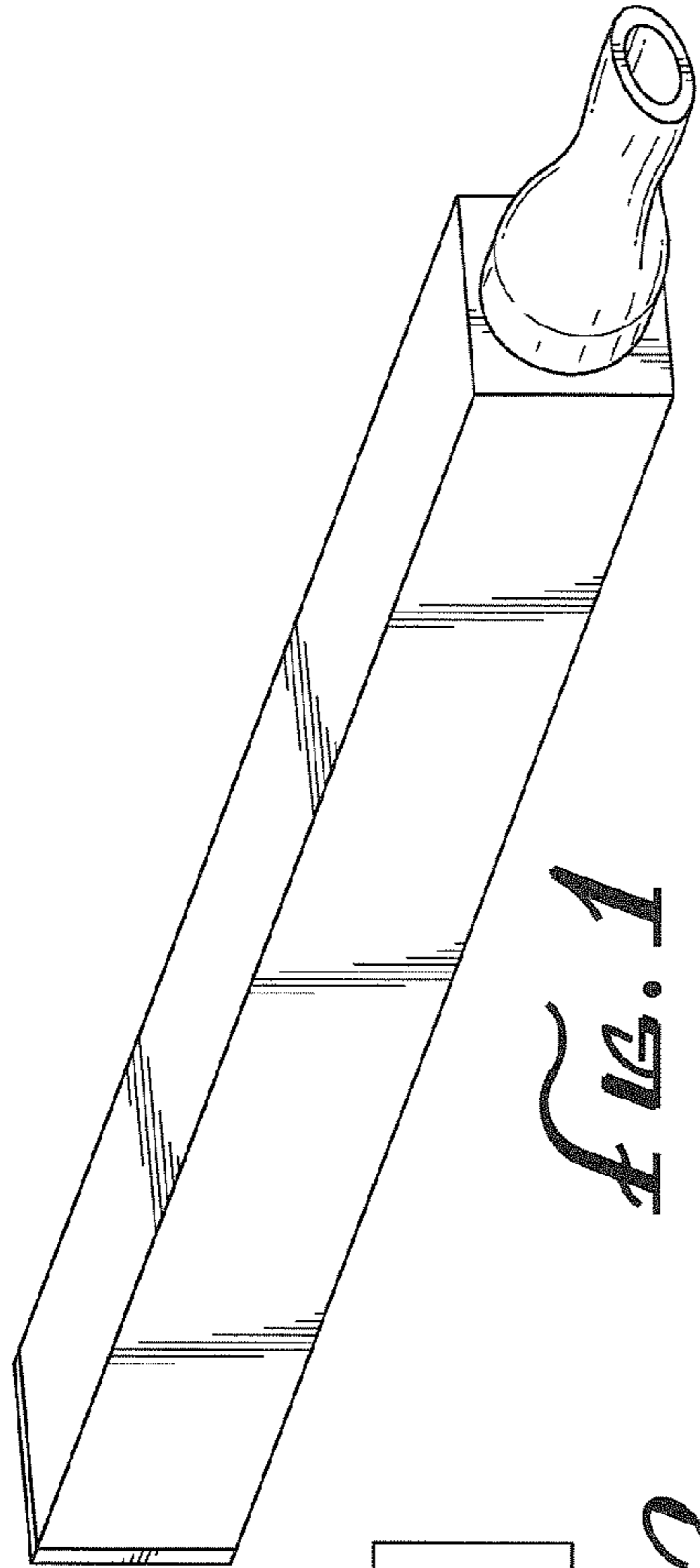


FIG. 1

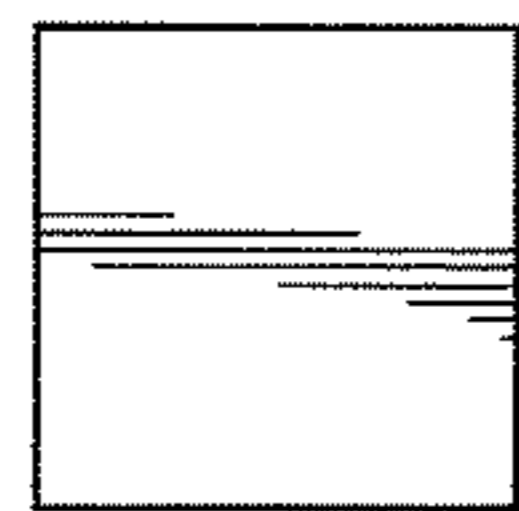


FIG. 2

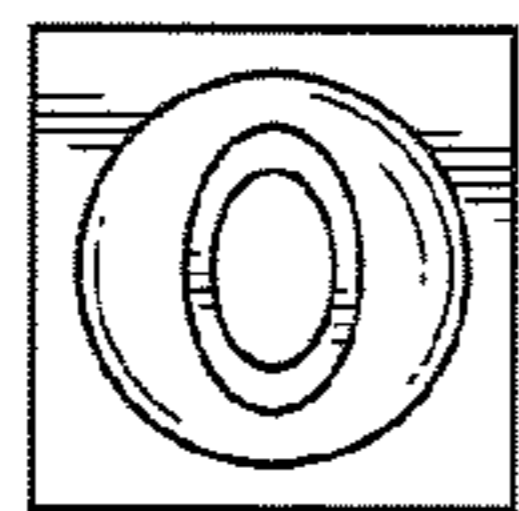


FIG. 3

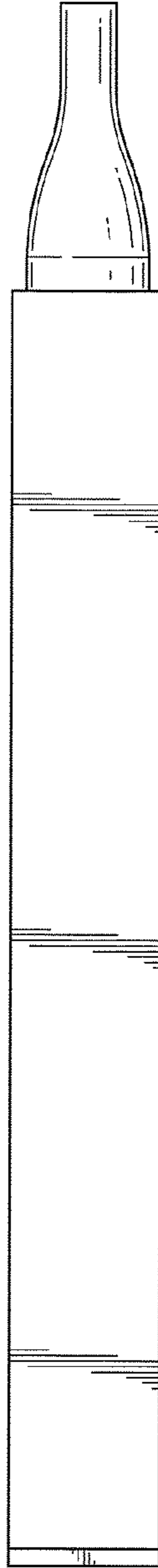


FIG. 4

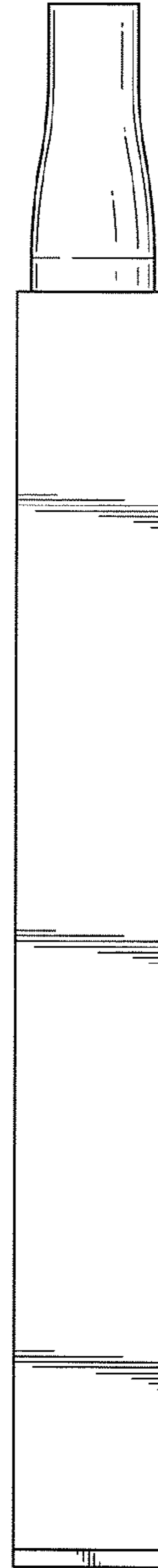


FIG. 5

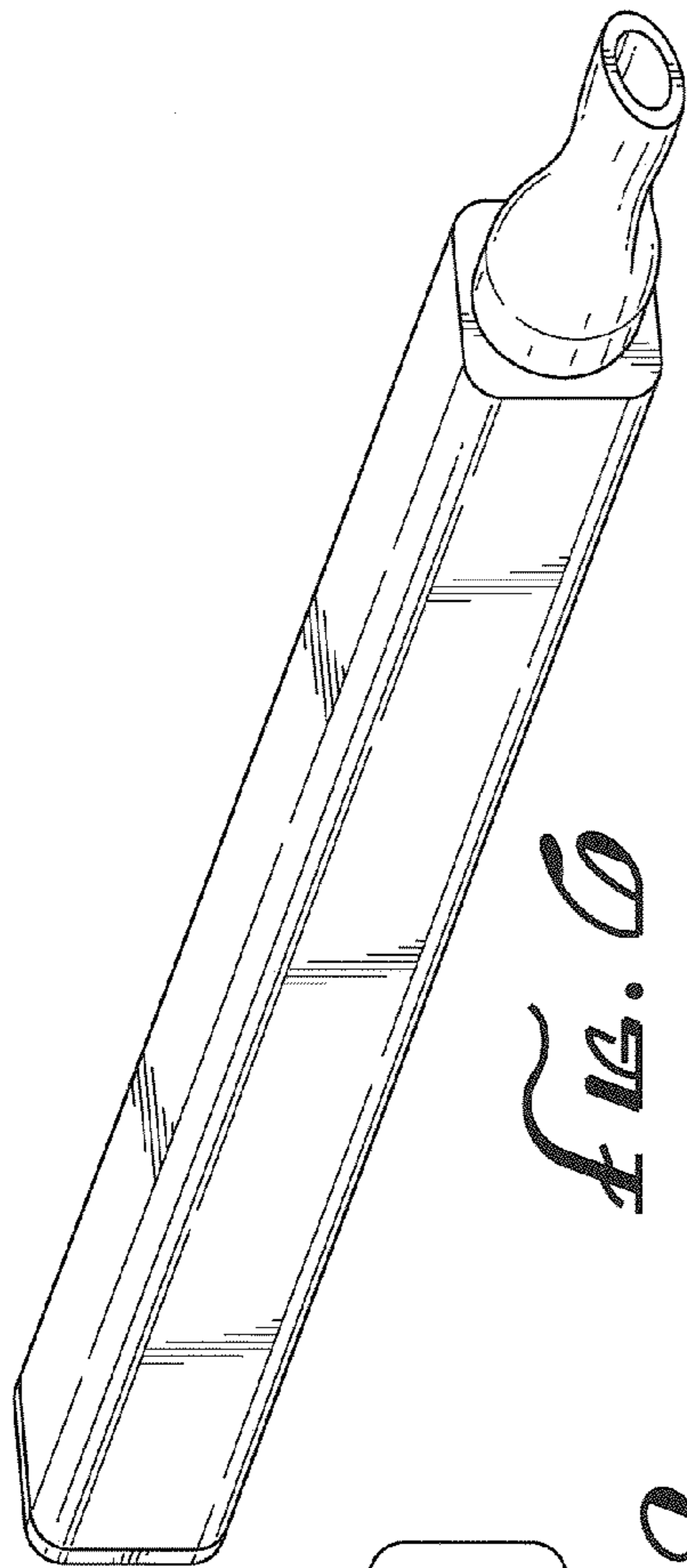


Fig. 9

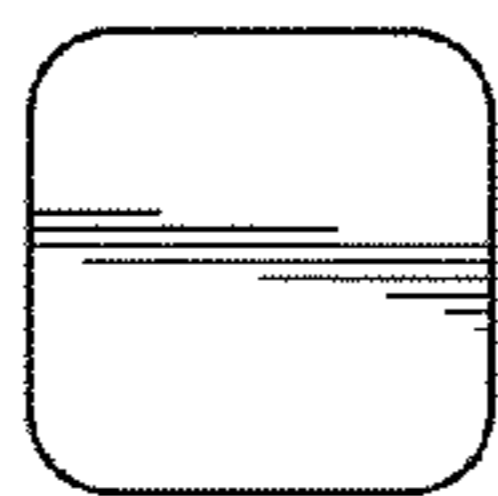


Fig. 8

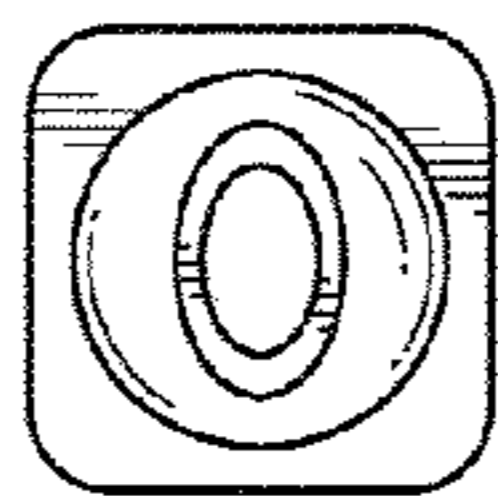


Fig. 7

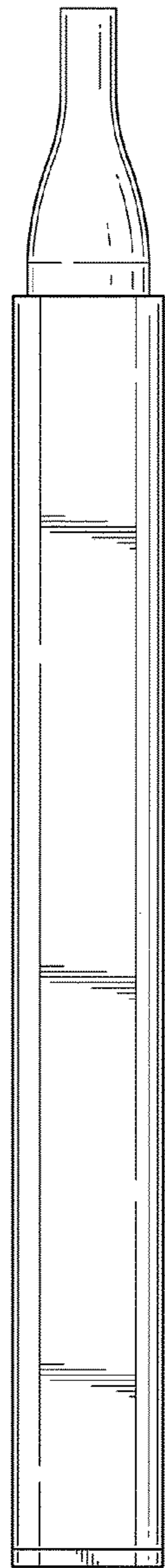


Fig. 6

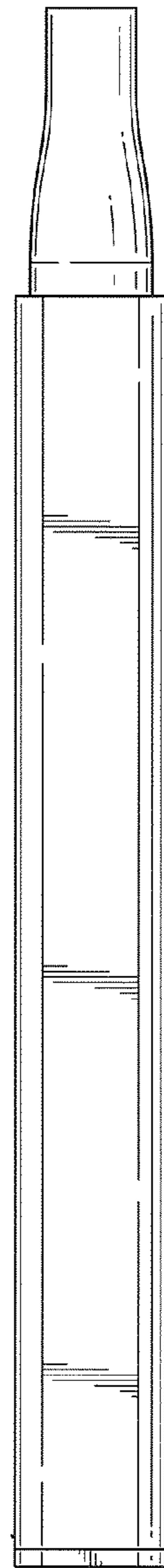


Fig. 10