



US00D724257S

(12) **United States Design Patent**  
**Klus**

(10) **Patent No.:** **US D724,257 S**  
(45) **Date of Patent:** **\*\* Mar. 10, 2015**

(54) **HOUSING FOR A LED BASED LIGHTING APPARATUS**

(71) Applicant: **Sylwester Klus**, Kamionka (PL)

(72) Inventor: **Sylwester Klus**, Kamionka (PL)

(\*\*) Term: **14 Years**

(21) Appl. No.: **29/479,443**

(22) Filed: **Jan. 16, 2014**

(51) **LOC (10) Cl.** ..... **26-99**

(52) **U.S. Cl.**  
USPC ..... **D26/141**

(58) **Field of Classification Search**  
USPC ..... D26/24, 26, 39, 42, 67, 68, 72, 74, 75,  
D26/79, 85, 88, 89, 91, 96, 108, 109, 113,  
D26/118, 120, 122, 129, 138, 140, 141,  
D26/142; D13/179, 180; D25/60, 119, 122,  
D25/124, 125; 362/23.07, 23.09, 23.16,  
362/145, 217.01, 217.02, 255, 257, 270,  
362/277, 317, 362, 555, 611, 612, 614, 800  
See application file for complete search history.

(56) **References Cited**

**U.S. PATENT DOCUMENTS**

2,292,395	A *	8/1942	O'Brien	174/101
D293,098	S *	12/1987	Layton	D25/122
D424,213	S *	5/2000	Chaney et al.	D25/122
D437,944	S *	2/2001	Neuhofer, Jr.	D25/199
D443,198	S *	6/2001	Snyder	D25/164
6,659,623	B2 *	12/2003	Friend	362/800

7,331,689	B2 *	2/2008	Chen	362/240
7,344,163	B2 *	3/2008	Thompson	138/155
D611,169	S *	3/2010	Harder	D25/122
D616,567	S *	5/2010	Desrosiers et al.	D25/60
D621,090	S *	8/2010	Klu	D26/138
D621,091	S *	8/2010	Klu	D26/138
D623,342	S *	9/2010	Klu	D26/138
D649,682	S *	11/2011	Trzesniowski	D26/138
D649,683	S *	11/2011	Trzesniowski	D26/138
D649,686	S *	11/2011	Trzesniowski	D26/138
D695,955	S *	12/2013	Klus	D26/138
D696,814	S *	12/2013	Matus, Jr.	D26/138

\* cited by examiner

*Primary Examiner* — Caron D Veynar

*Assistant Examiner* — Natasha Vujcic

(74) *Attorney, Agent, or Firm* — Mark Terry

(57) **CLAIM**

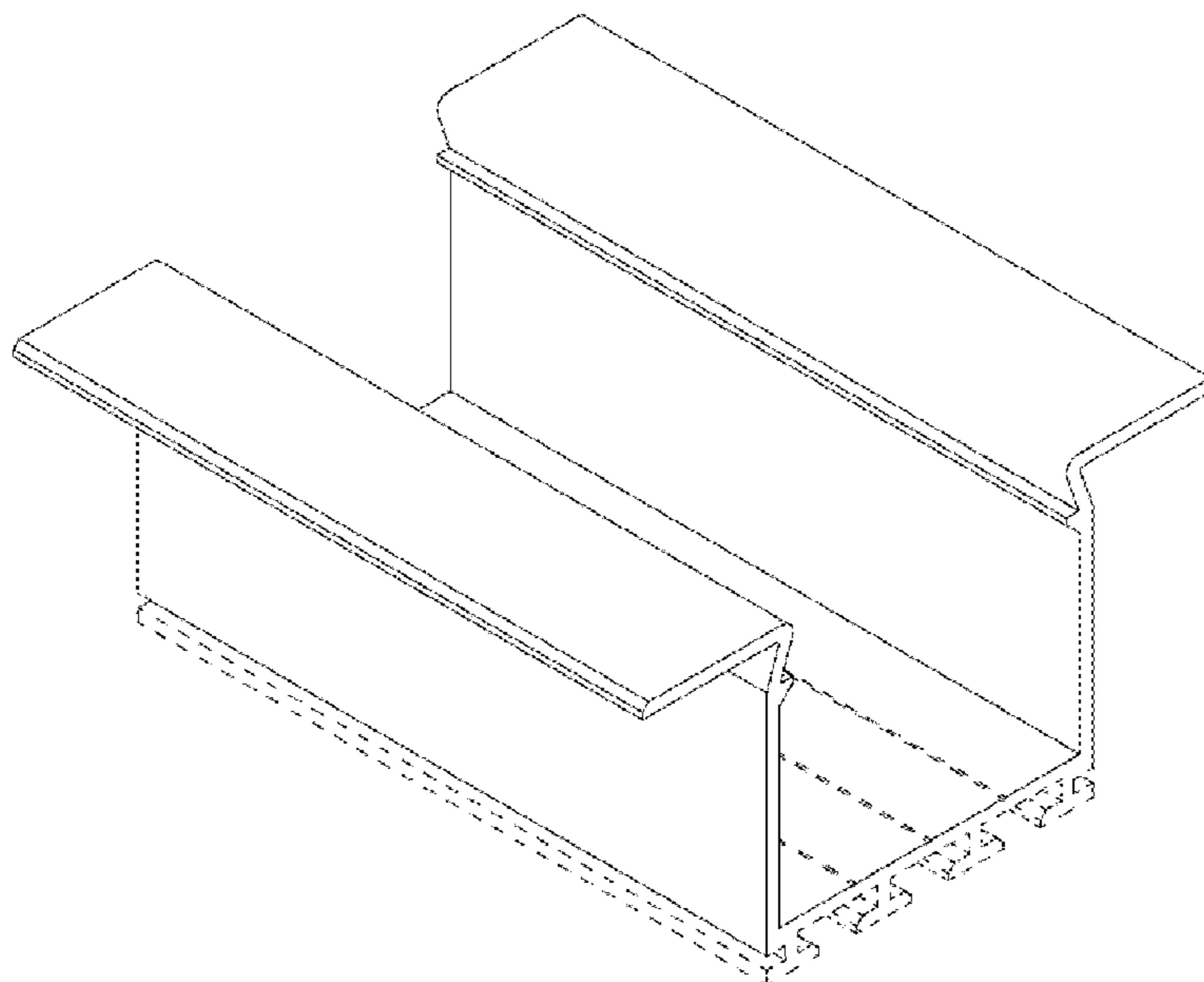
The ornamental design for housing for a LED based lighting apparatus, as shown and described.

**DESCRIPTION**

FIG. 1 is a top perspective view of a housing for a LED based lighting apparatus, showing the new design;  
FIG. 2 is a bottom perspective view thereof;  
FIG. 3 is a front view thereof;  
FIG. 4 is a side view thereof;  
FIG. 5 is a top view thereof; and,  
FIG. 6 is a bottom view thereof.

The broken lines in the drawings illustrate portions of the housing for a LED based lighting apparatus which form no part of the claimed design.

**1 Claim, 3 Drawing Sheets**



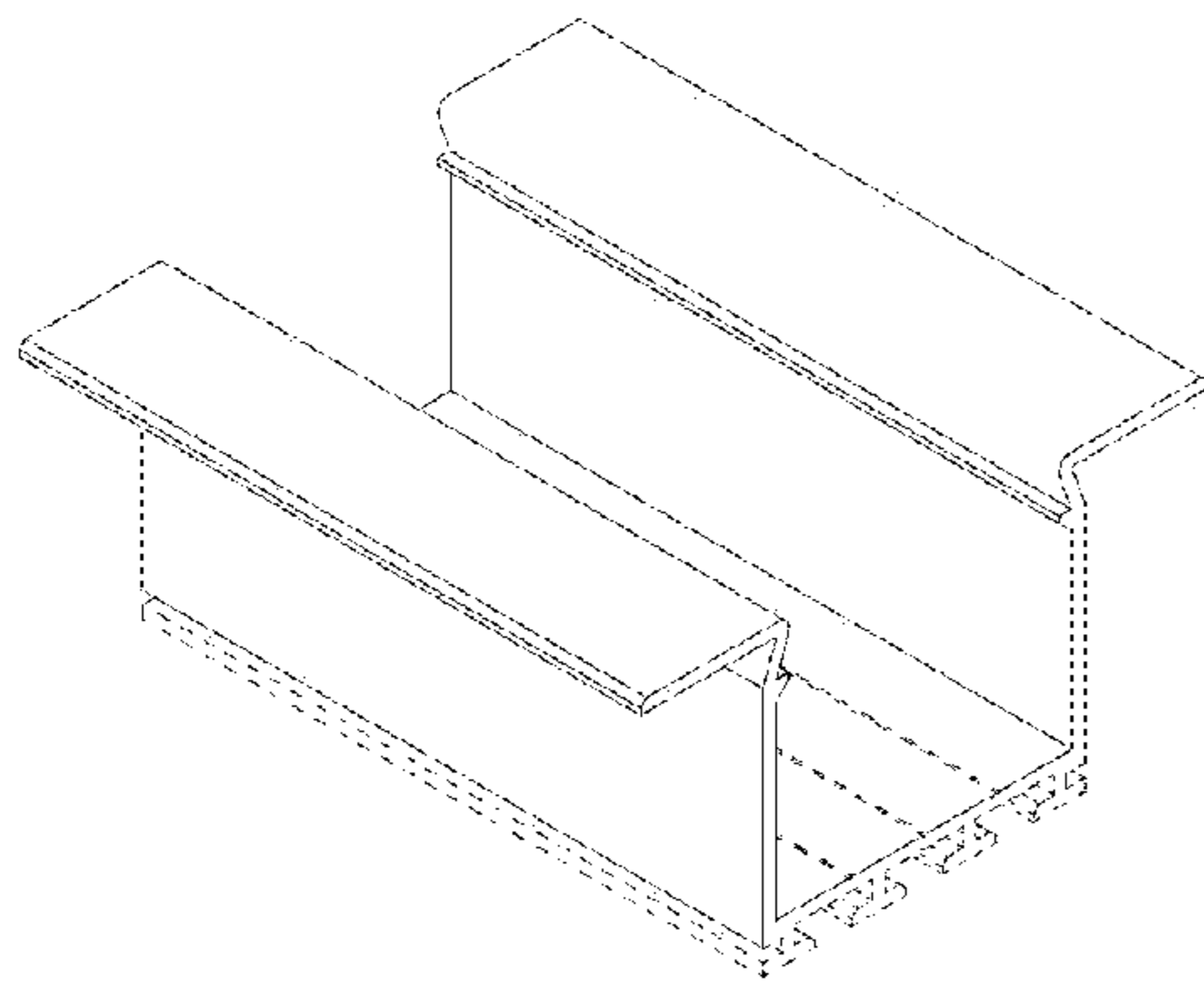


FIG. 1

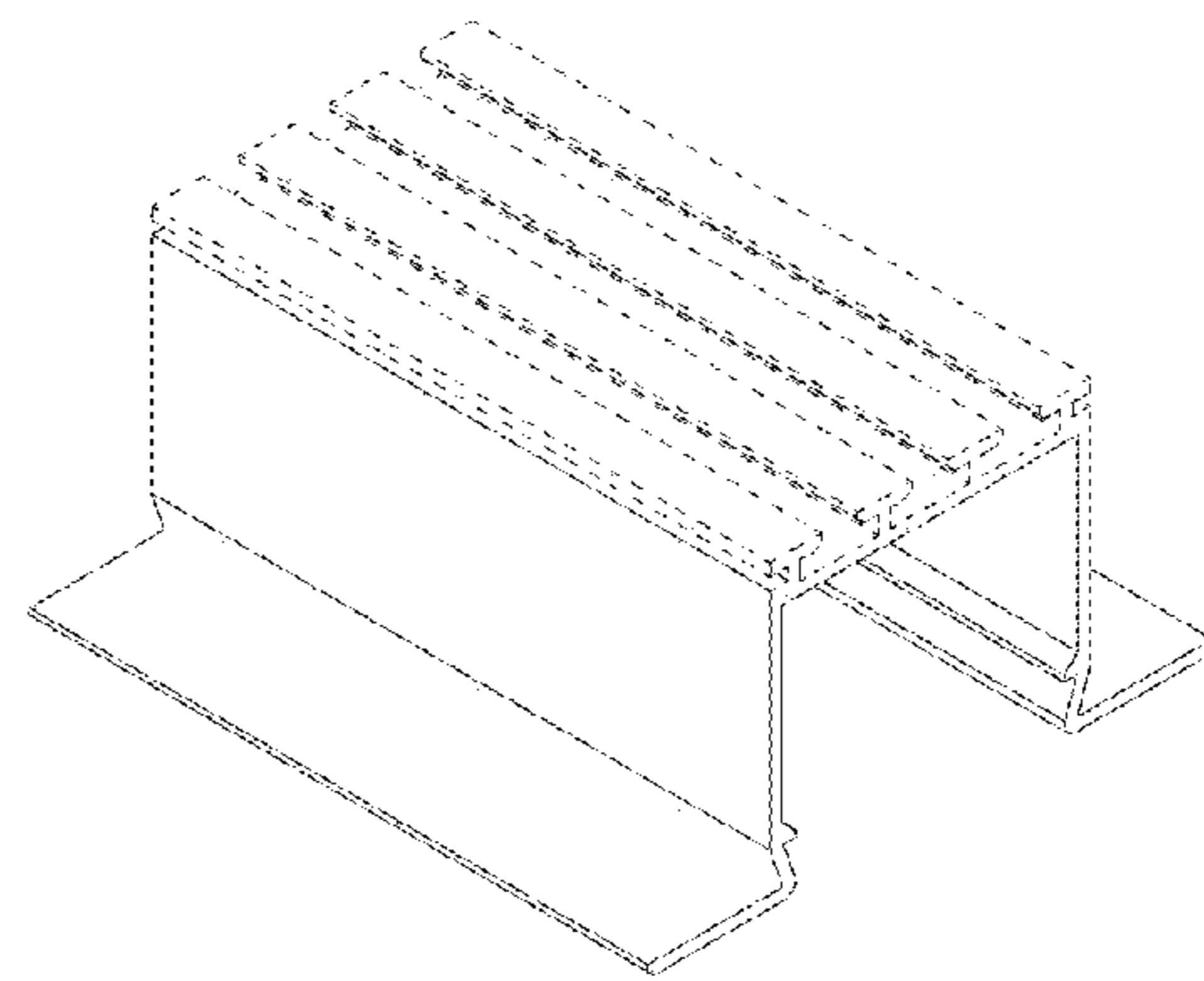


FIG. 2

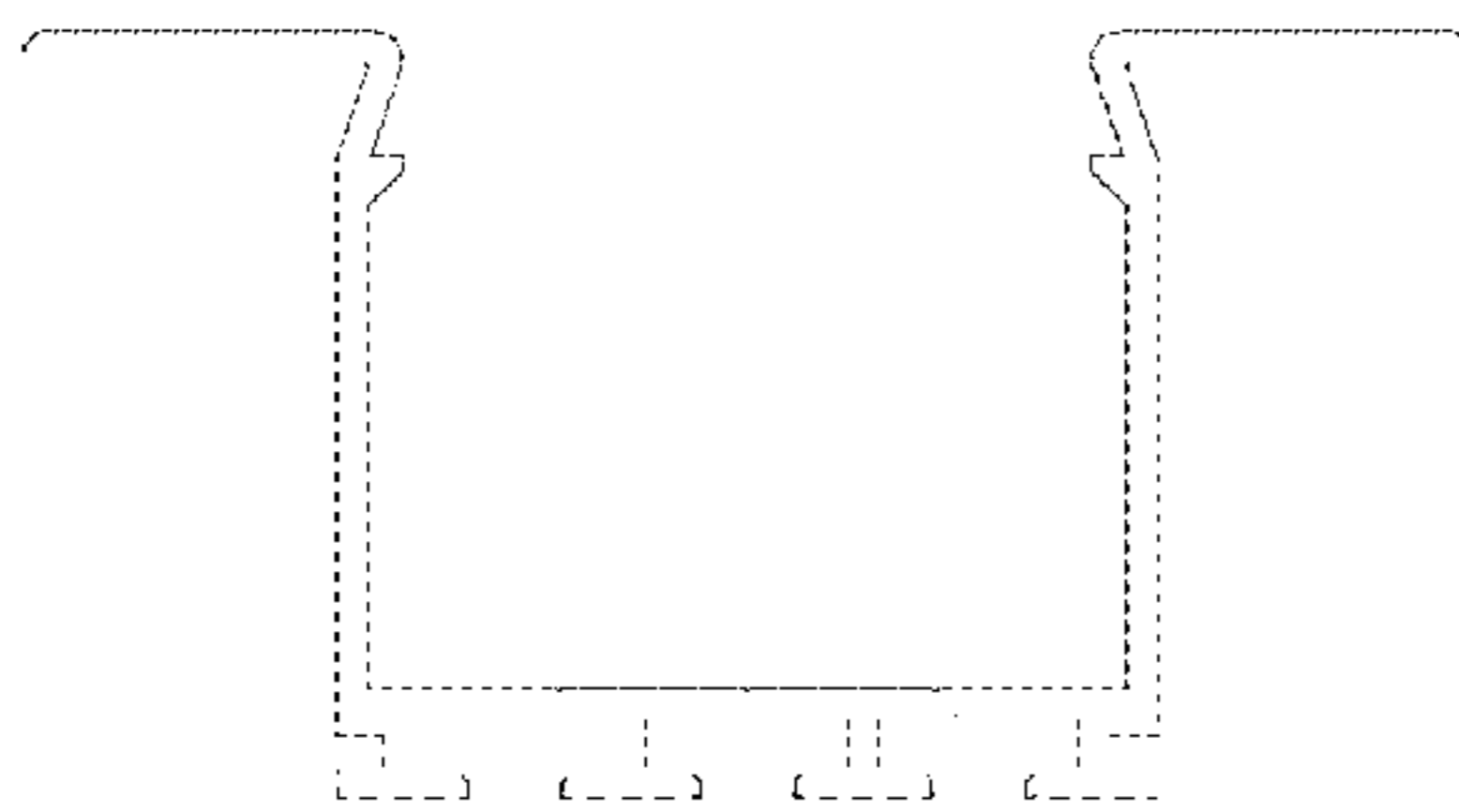


FIG. 3

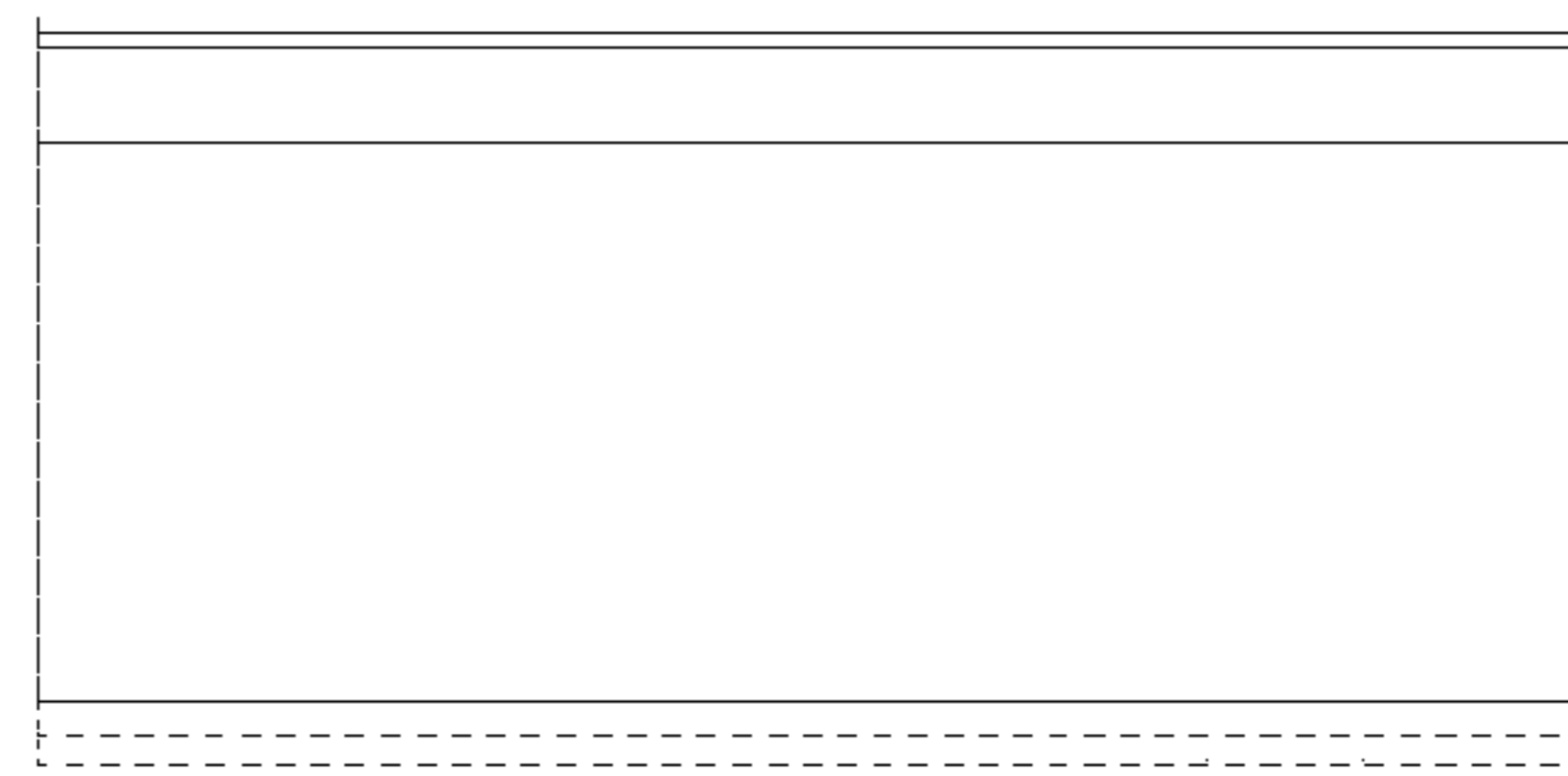


FIG. 4

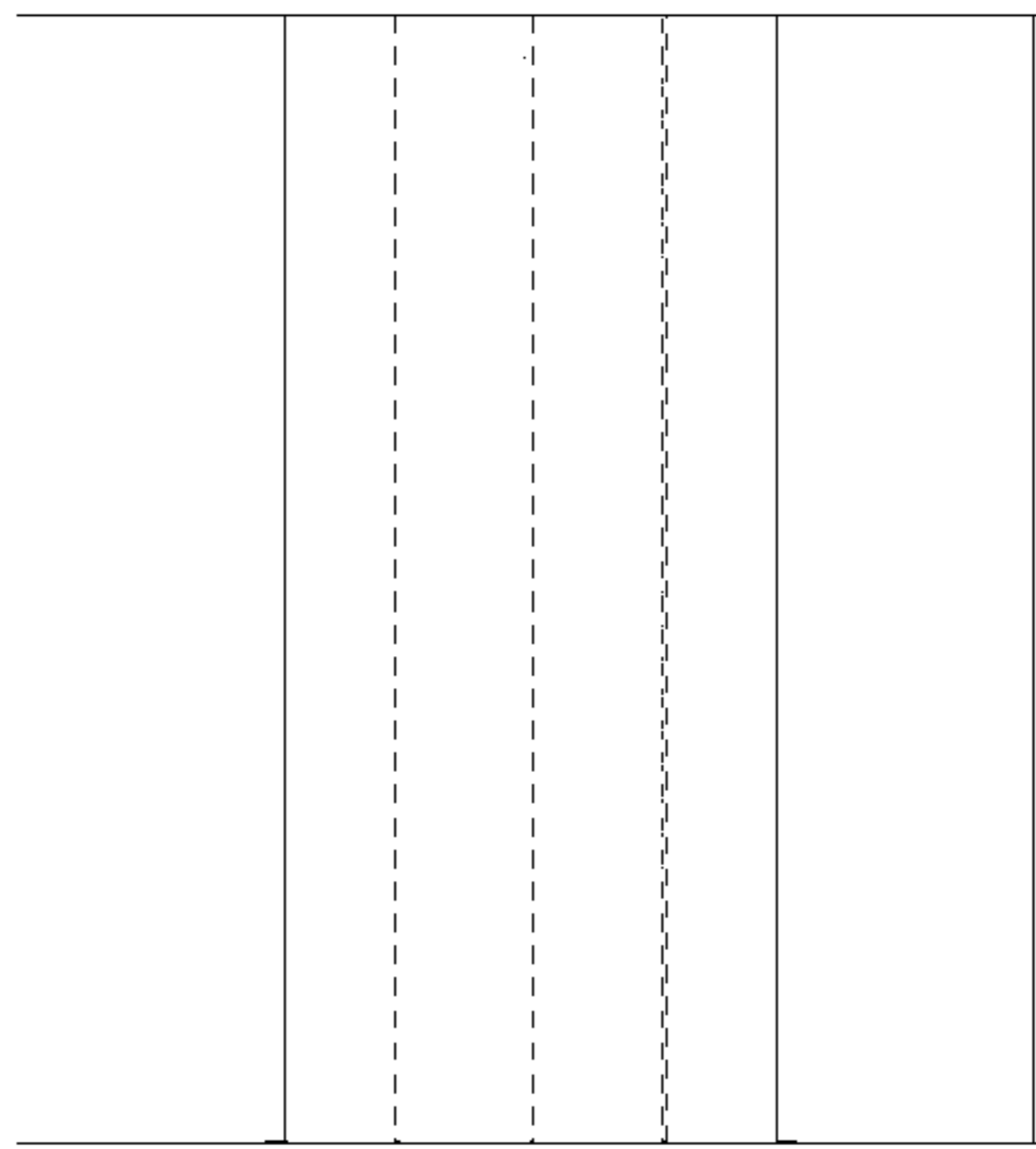


FIG. 5

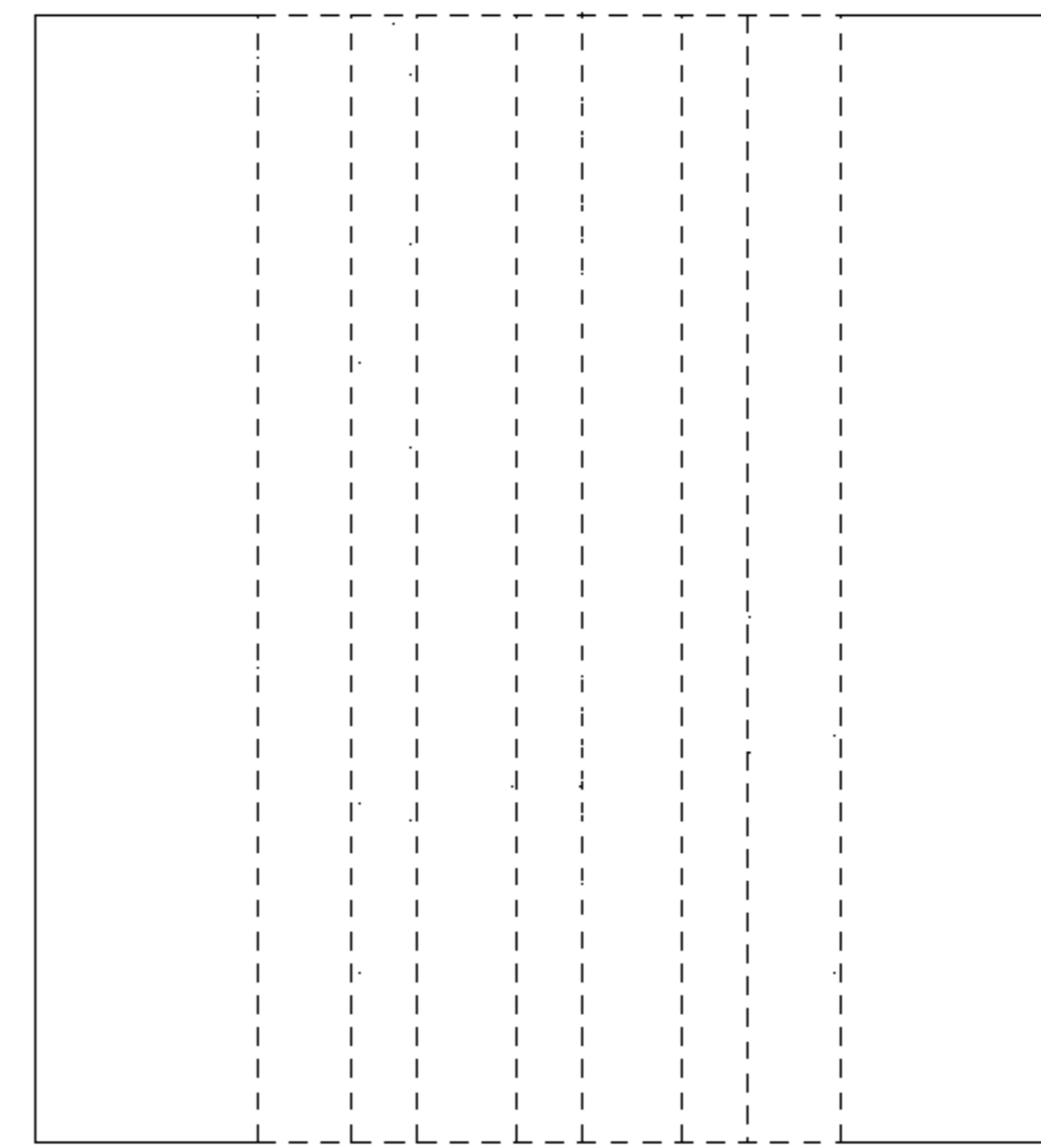


FIG. 6