



US00D724256S

(12) **United States Design Patent**
Klus

(10) **Patent No.:** **US D724,256 S**
(45) **Date of Patent:** **** Mar. 10, 2015**

(54) **HOUSING FOR A LED BASED LIGHTING APPARATUS**

(71) Applicant: **Sylwester Klus**, Kamionka (PL)

(72) Inventor: **Sylwester Klus**, Kamionka (PL)

(**) Term: **14 Years**

(21) Appl. No.: **29/479,441**

(22) Filed: **Jan. 16, 2014**

(51) **LOC (10) Cl.** **26-99**

(52) **U.S. Cl.**
USPC **D26/141**

(58) **Field of Classification Search**
USPC D26/24, 26, 39, 42, 67, 68, 72, 74, 75,
D26/79, 85, 88, 89, 91, 96, 108, 109, 113,
D26/118, 120, 122, 129, 138, 140, 141,
D26/142; D13/179, 180; D25/60, 119, 122,
D25/124, 125; 362/23.07, 23.09, 23.16,
362/145, 217.01, 217.02, 255, 257, 270,
362/277, 317, 362, 555, 611, 612, 614, 800
See application file for complete search history.

(56) **References Cited**

U.S. PATENT DOCUMENTS

D301,304 S * 5/1989 Will D25/119
D437,944 S * 2/2001 Neuhofer, Jr. D25/199
6,302,560 B1 * 10/2001 Lai 362/235

D623,343 S * 9/2010 Klus D26/138
D649,680 S * 11/2011 Trzesniowski D26/138
D649,691 S * 11/2011 Trzesniowski D26/138
D662,256 S * 6/2012 Klu D26/138
D662,653 S * 6/2012 Hochman D26/138
D665,123 S * 8/2012 Douglas D26/138
D693,052 S * 11/2013 Klu D26/138
D695,953 S * 12/2013 Klu D26/138
2009/0310354 A1 * 12/2009 Zampini et al. 362/362

* cited by examiner

Primary Examiner — Caron D Veynar

Assistant Examiner — Natasha Vujcic

(74) *Attorney, Agent, or Firm* — Mark Terry

(57) **CLAIM**

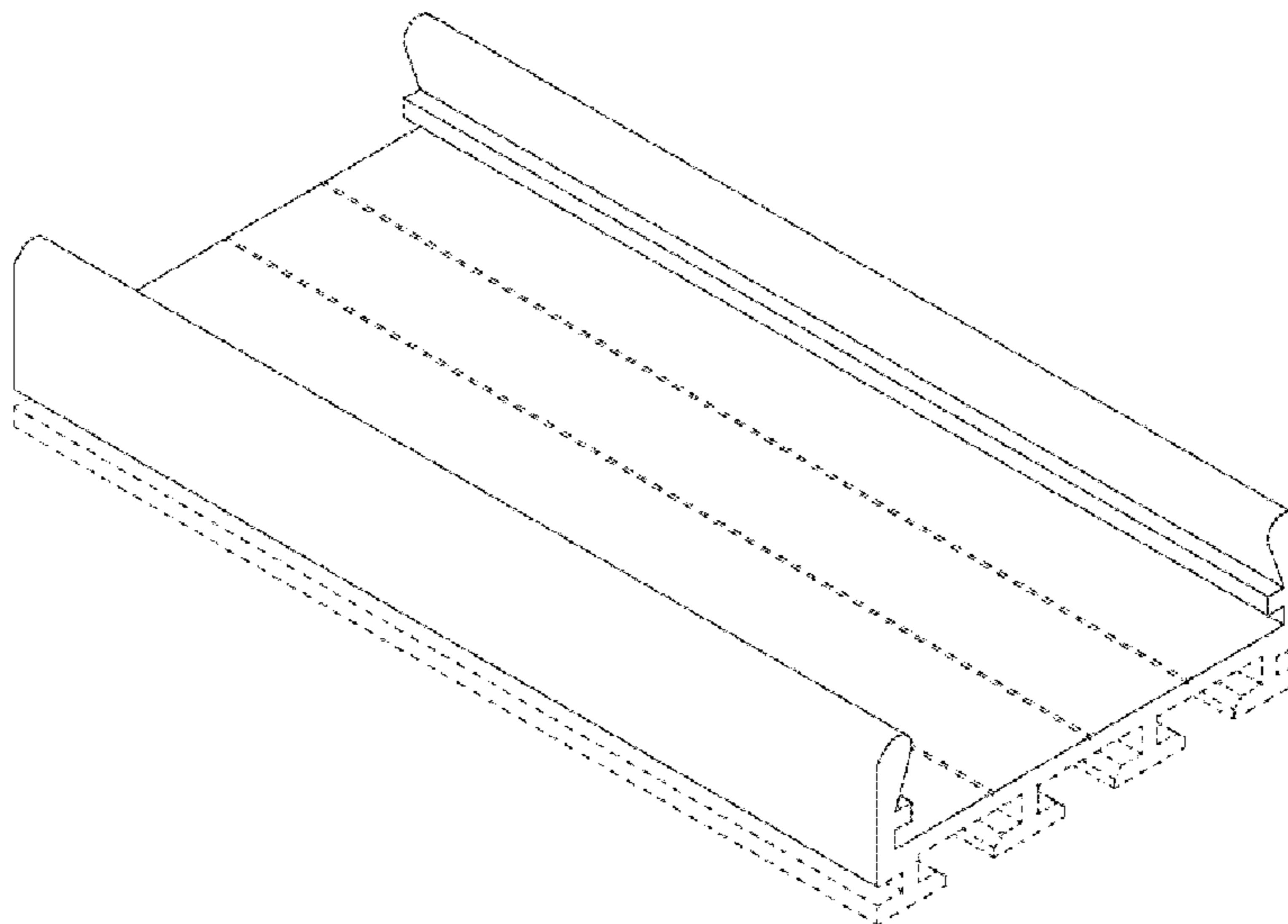
The ornamental design for housing for an LED based lighting apparatus, as shown and described.

DESCRIPTION

FIG. 1 is a top perspective view of a housing for an LED based lighting apparatus, showing the new design;
FIG. 2 is a bottom perspective view thereof;
FIG. 3 is a front view thereof;
FIG. 4 is a side view thereof;
FIG. 5 is a top view thereof; and,
FIG. 6 is a bottom view thereof.

The broken lines in the drawings illustrate portions of the housing for LED based lighting apparatus which form no part of the claimed design.

1 Claim, 3 Drawing Sheets



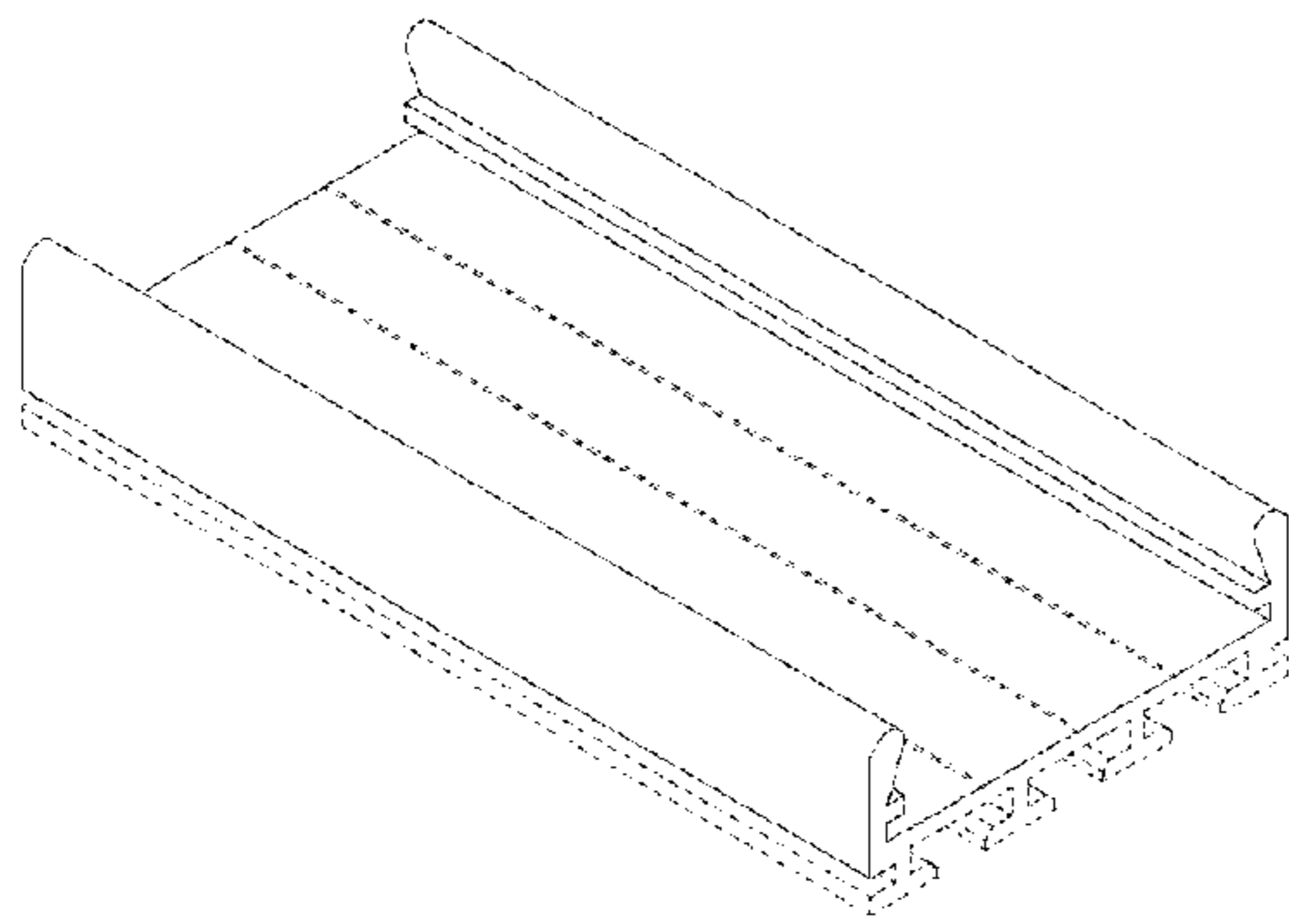


FIG. 1

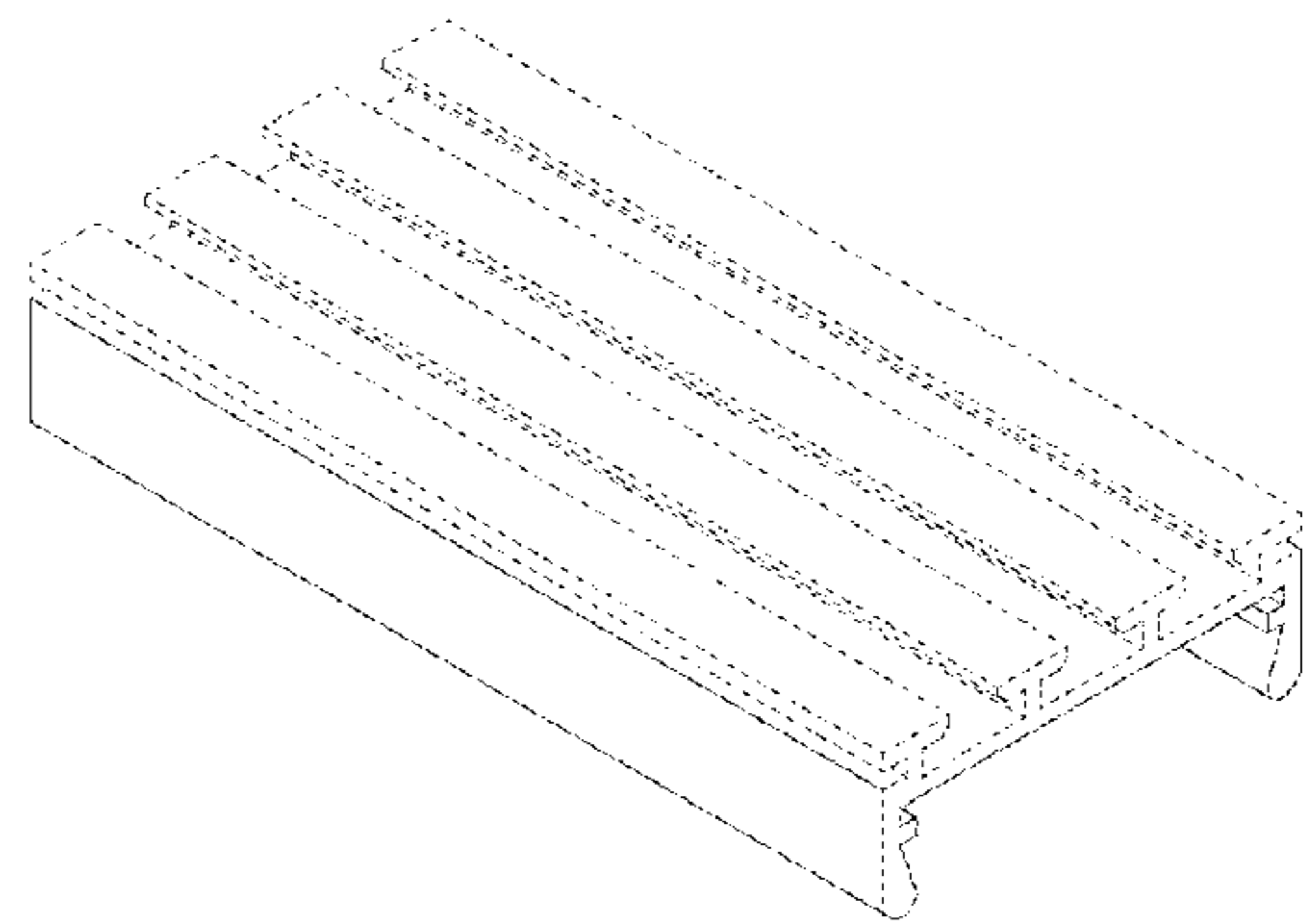


FIG. 2

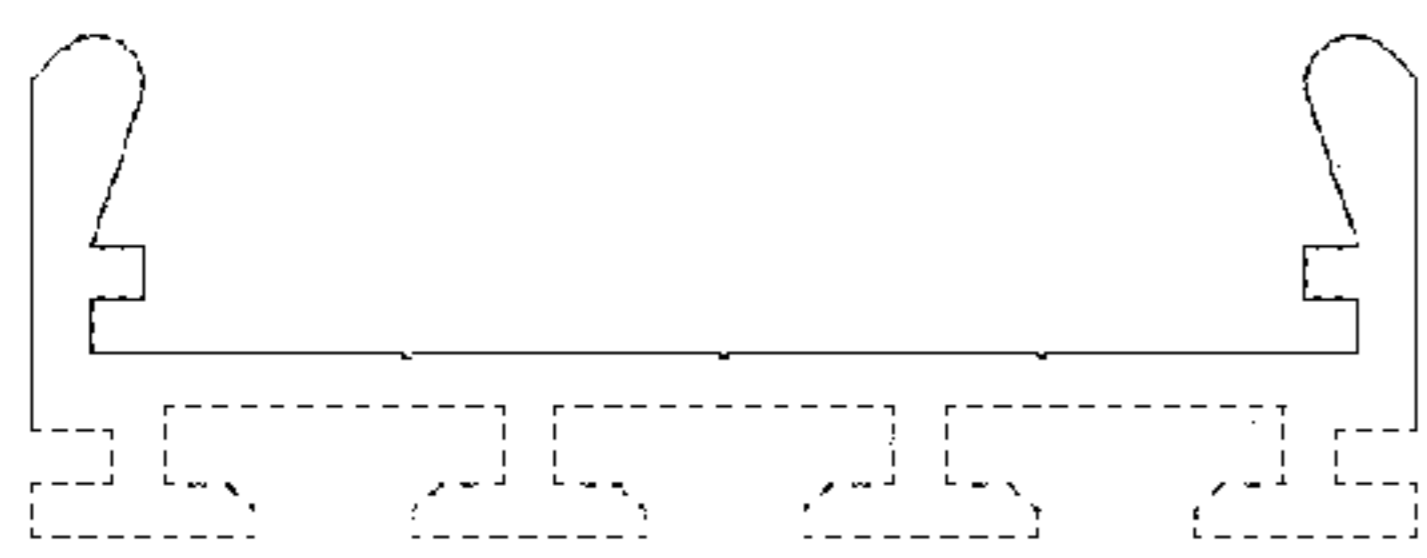


FIG. 3



FIG. 4

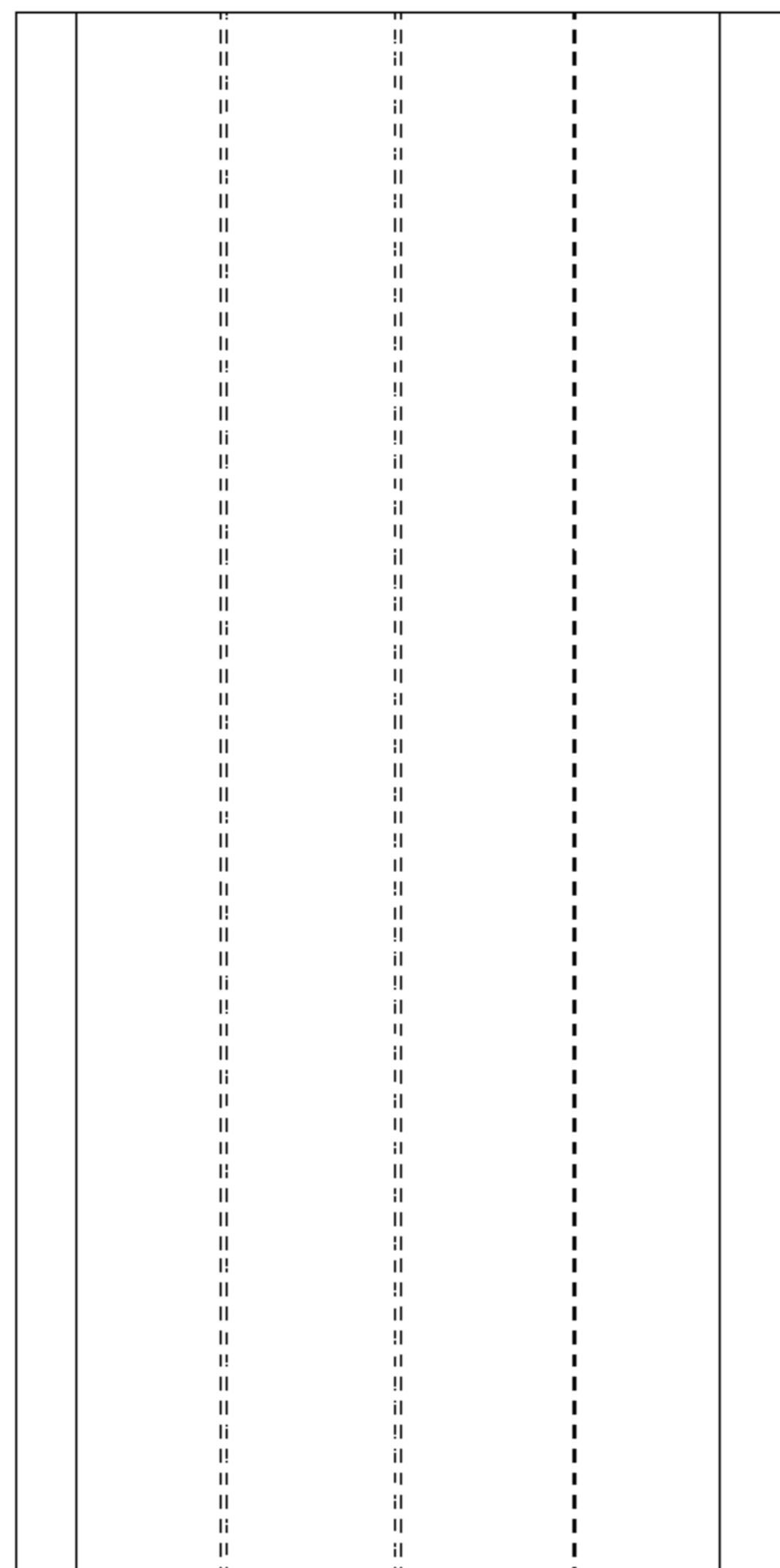


FIG. 5



FIG. 6