



US00D724255S

(12) **United States Design Patent**
Herbin et al.

(10) **Patent No.:** **US D724,255 S**
(45) **Date of Patent:** **** Mar. 10, 2015**

(54) **LIGHT BEZEL FOR A VEHICLE**

(75) Inventors: **Cyril Herbin**, Potelle (FR); **Olivier Draguet**, Bois d'Haine (BE)

(73) Assignee: **Valeo Vision**, Bobigny (FR)

(**) Term: **14 Years**

(21) Appl. No.: **29/421,454**

(22) Filed: **Jul. 30, 2012**

Related U.S. Application Data

(60) Division of application No. 29/315,912, filed on Aug. 5, 2009, now Pat. No. Des. 670,012, and a continuation-in-part of application No. 29/327,307, filed on Nov. 4, 2008, now Pat. No. Des. 622,427, and a continuation-in-part of application No. 29/323,887, filed on Sep. 3, 2008, now Pat. No. Des. 625,443.

(51) **LOC (10) Cl.** **26-99**

(52) **U.S. Cl.**

USPC **D26/139**

(58) **Field of Classification Search**

USPC D26/28-36, 139; 362/459-468, 362/475-478, 485-487

See application file for complete search history.

(56) **References Cited**

U.S. PATENT DOCUMENTS

D469,213 S * 1/2003 Huang D26/139
D523,168 S * 6/2006 Reed et al. D26/139
D550,383 S 9/2007 Asai
D556,349 S 11/2007 Golden et al.

(Continued)

FOREIGN PATENT DOCUMENTS

EM 000261870-0001 2/2005
EM 000261870-0002 2/2005
EM 000267372-0001 2/2005

(Continued)

Primary Examiner — Marcus Jackson

(74) *Attorney, Agent, or Firm* — Jacox, Meckstroth & Jenkins

(57) **CLAIM**

The ornamental design for light bezel for a vehicle, as shown and described in FIGS. 1-10.

DESCRIPTION

The file of this patent contains at least one drawing executed in color. Copies of this patent with color drawing(s) will be provided by the Patent and Trademark Office upon request and payment of the necessary fee. The color shown on the claimed design forms no part thereof.

FIG. 1 is a front view of a component in a lighting device; FIG. 2 is a rear view of the lighting device component shown in FIG. 1;

FIG. 3 is a right side view of the lighting device component shown in FIG. 1;

FIG. 4 is a perspective view of the lighting device component shown in FIG. 1;

FIG. 5 is another view of the lighting device component shown in FIG. 1;

FIG. 6 is a view of the opposite side of the lighting device component shown in FIG. 5;

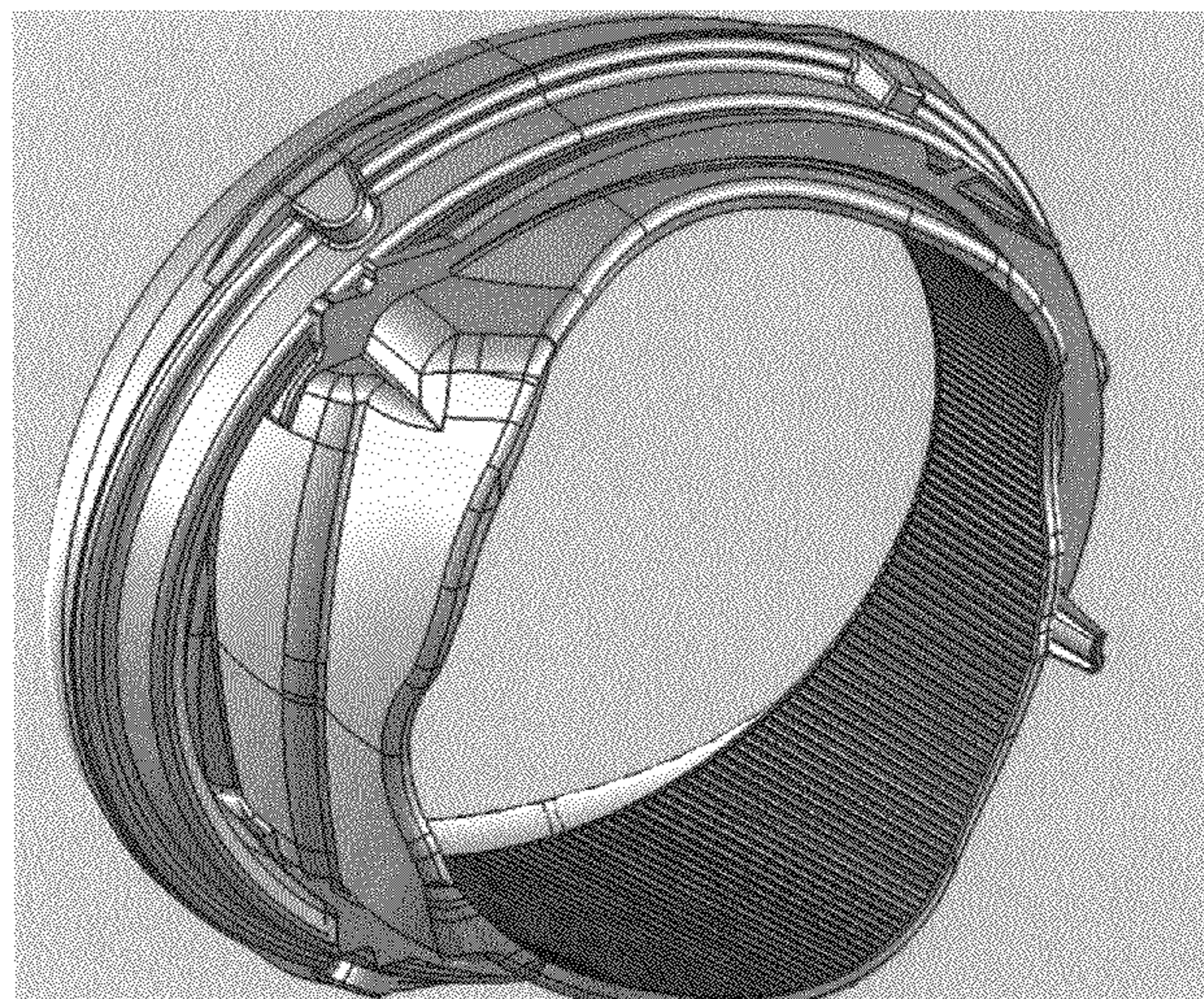
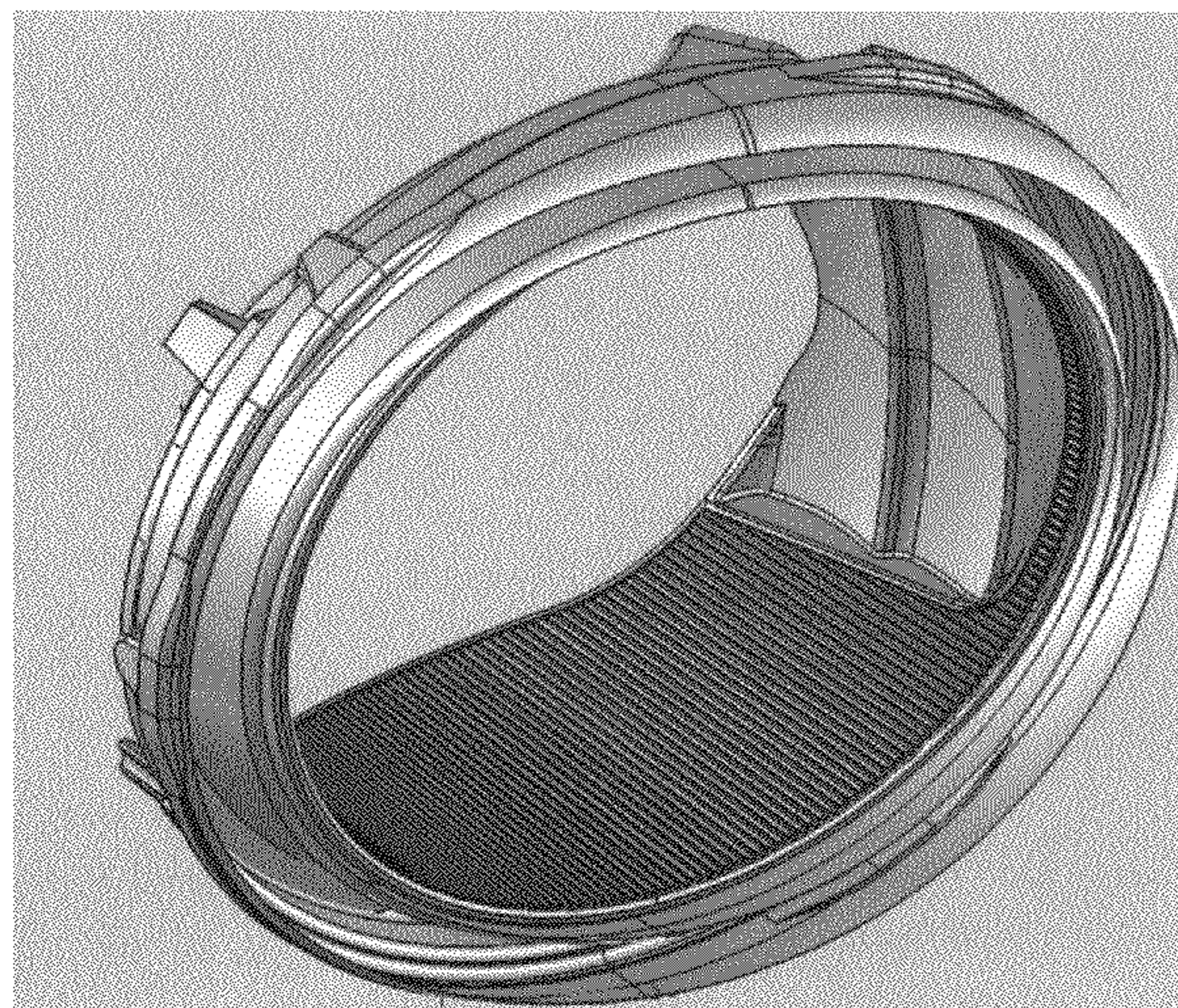
FIG. 7 is a perspective view of the lighting device component shown in FIG. 1;

FIG. 8 is a rear view of the lighting device component shown in FIG. 1;

FIG. 9 is another rear view of the lighting device component shown in FIG. 1; and,

FIG. 10 is a still another view of the lighting device component shown in FIG. 1.

1 Claim, 5 Drawing Sheets
(5 of 5 Drawing Sheet(s) Filed in Color)



(56)

References Cited

FOREIGN PATENT DOCUMENTS

U.S. PATENT DOCUMENTS

D560,291 S 1/2008 Koyama
D561,358 S 2/2008 Tachibana
D563,576 S 3/2008 Hanaoka
D570,016 S 5/2008 Hsu
D595,895 S * 7/2009 Lamm D26/139
D611,189 S * 3/2010 Elliott et al. D26/139
D635,694 S 4/2011 Yang et al.

EM 000237094-0001 3/2007
EM 000237094-0002 3/2007
EM 000237094-0003 3/2007
EM 000377122-0001 1/2008
EM 000344130-0001 7/2008
FR 032187-001 5/2006
FR 032187-002 5/2006

* cited by examiner

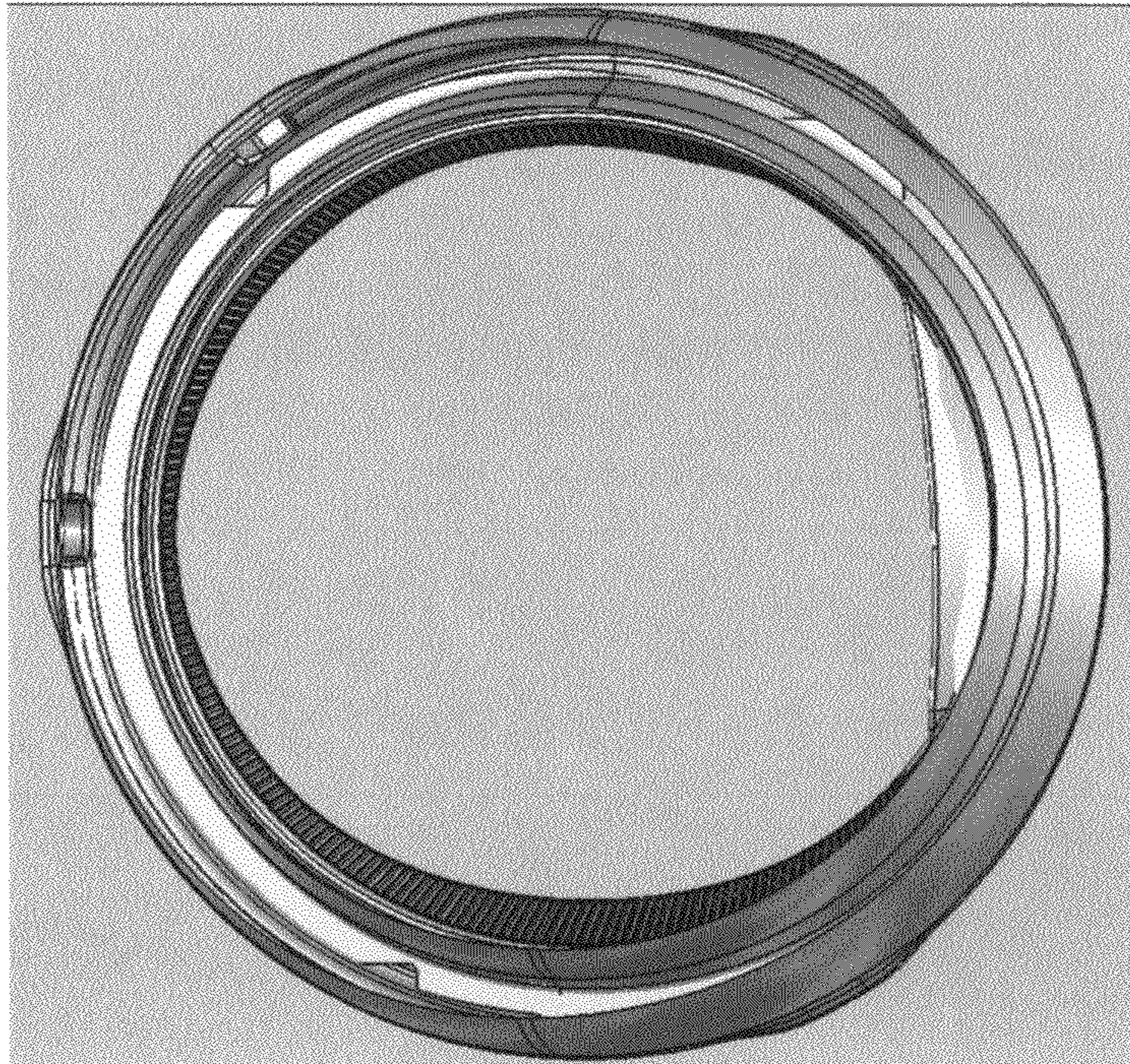


Fig. 1

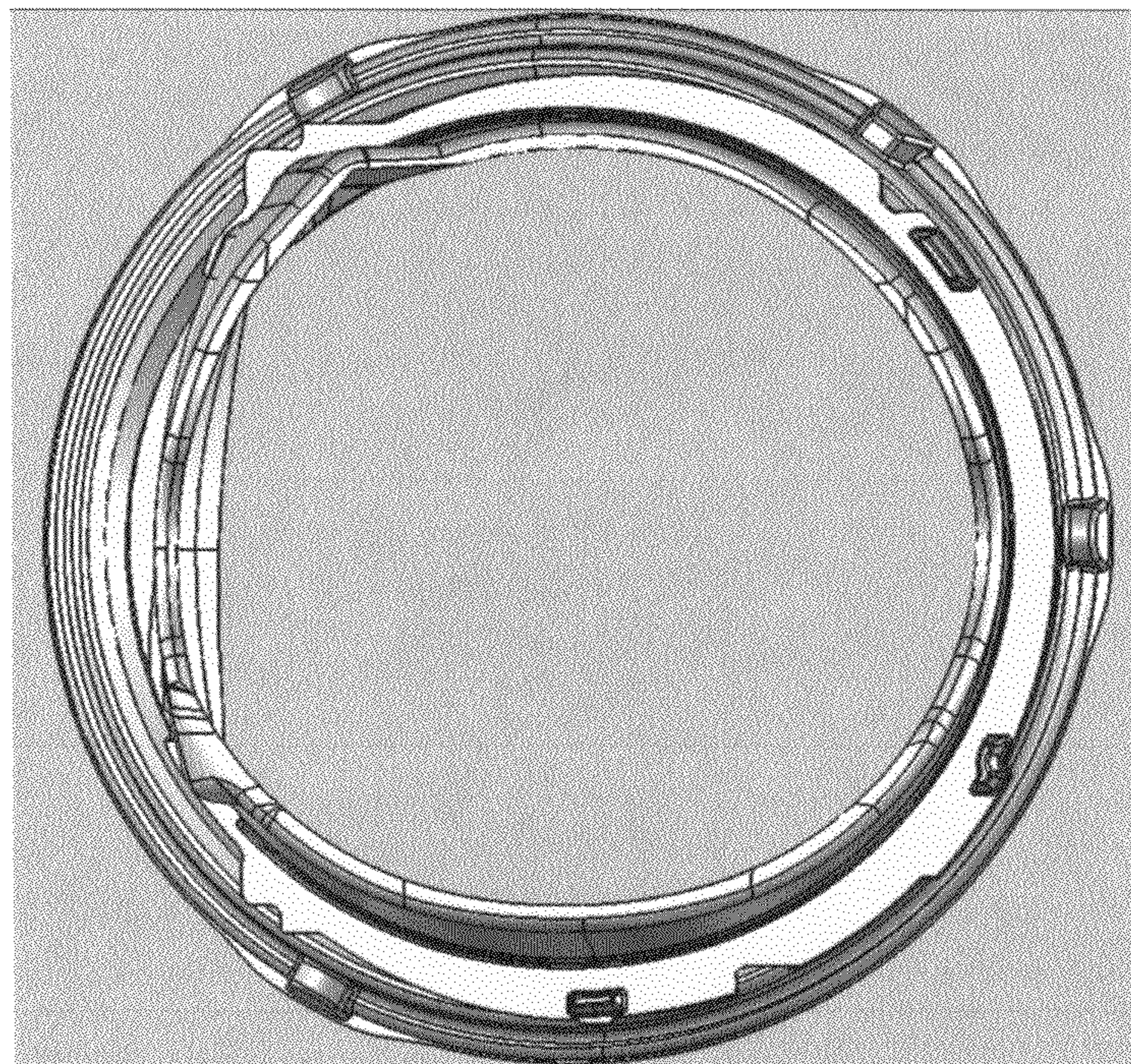


Fig. 2

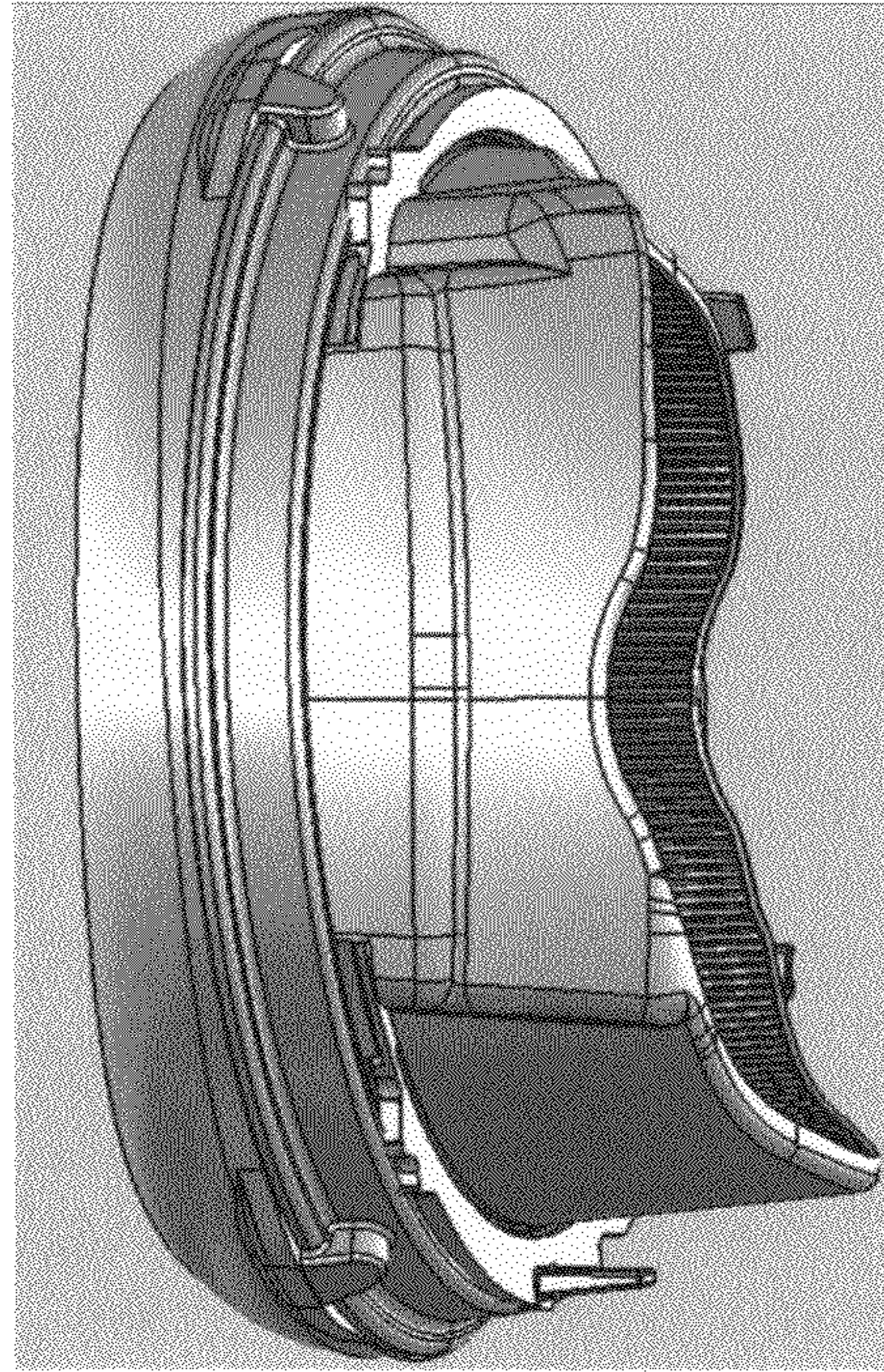


Fig. 3

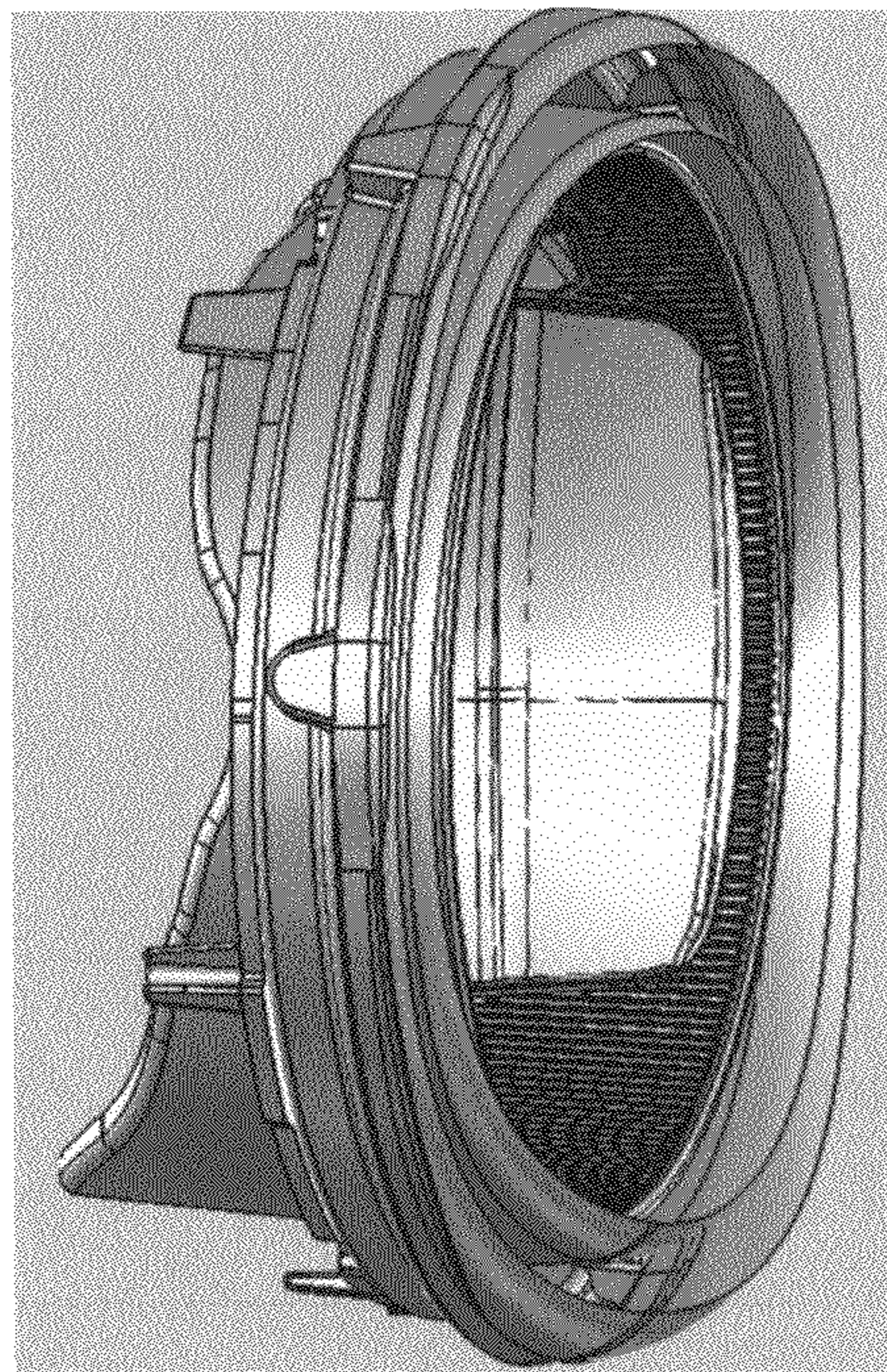


Fig. 4

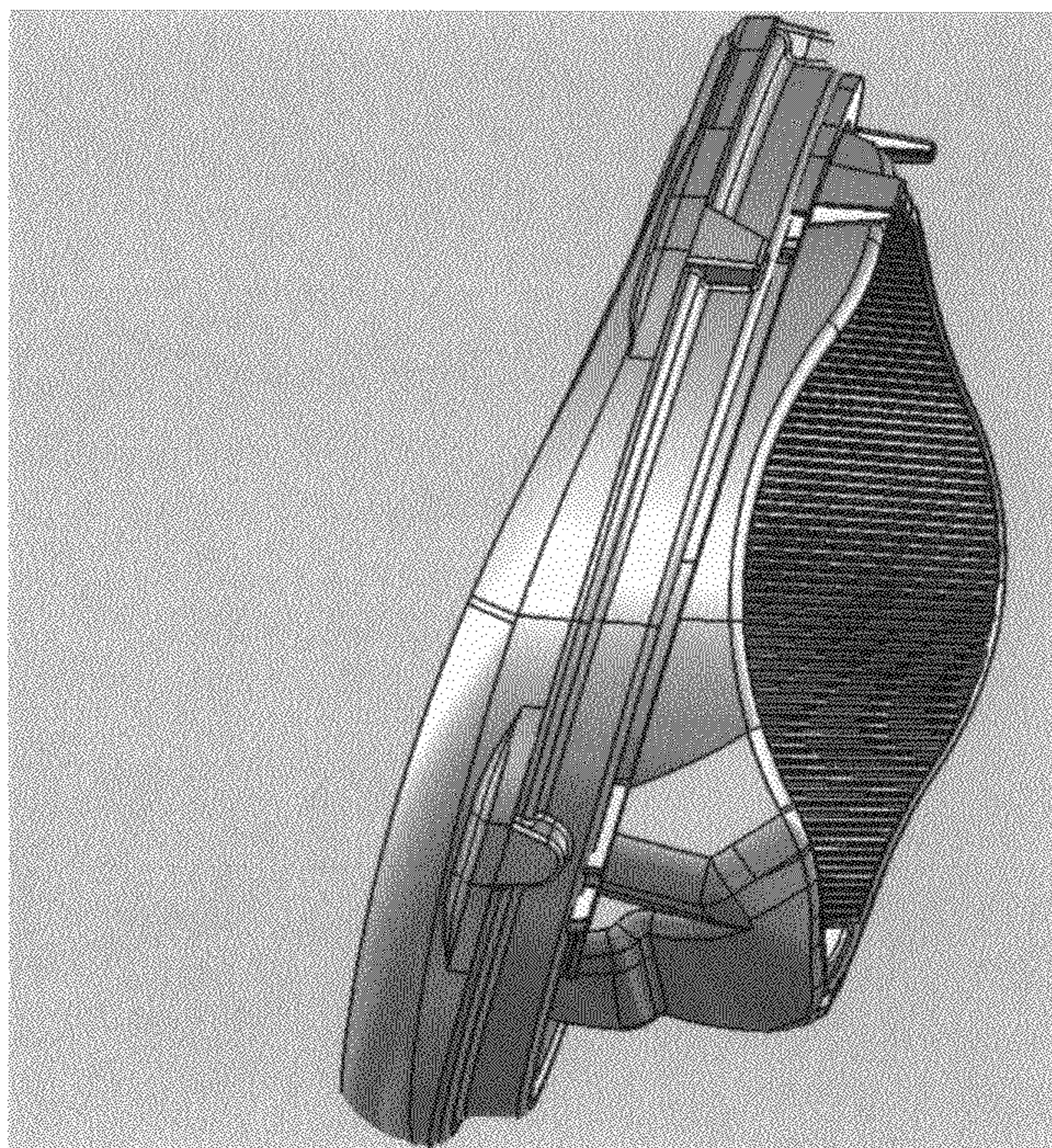


Fig. 5

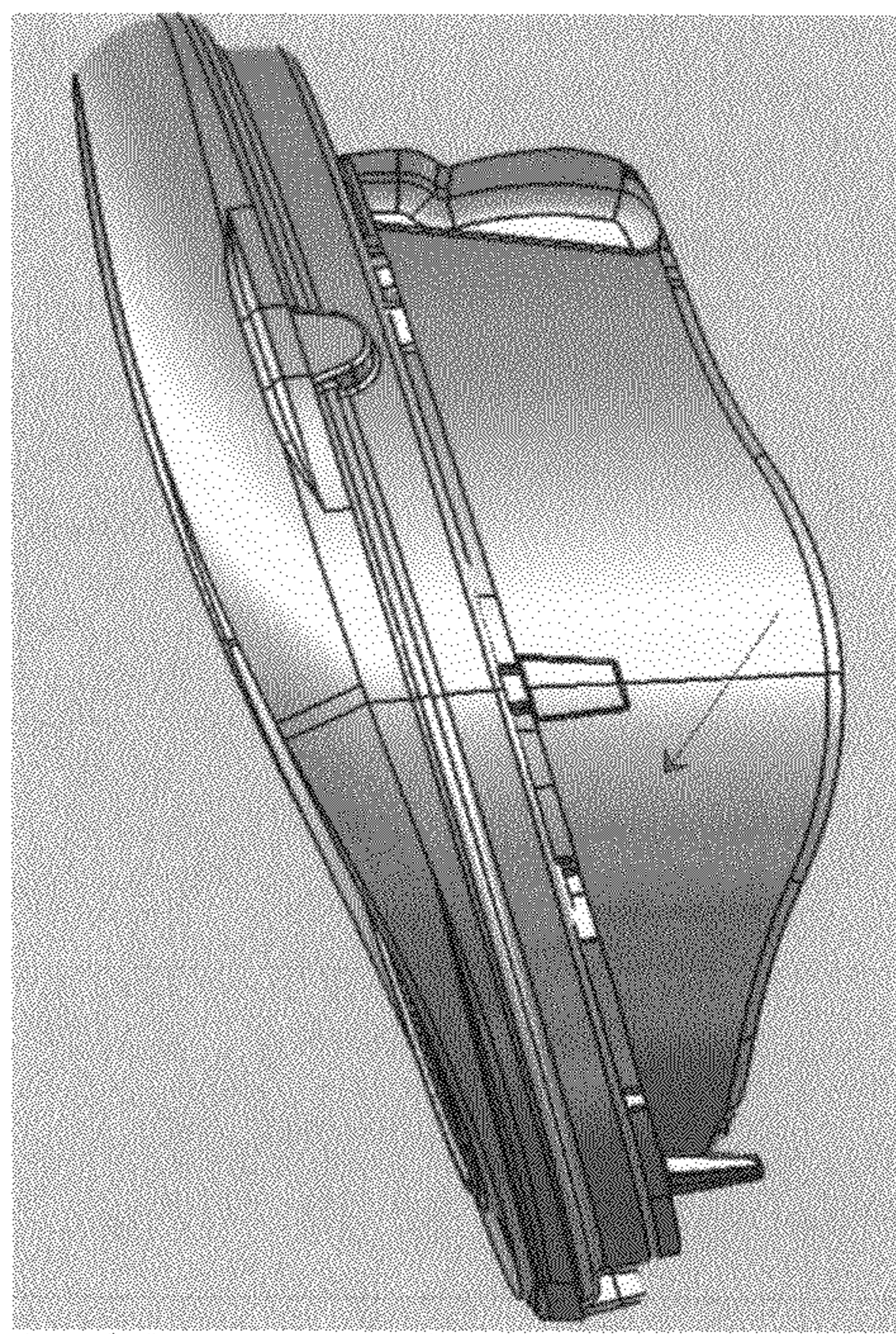


Fig. 6

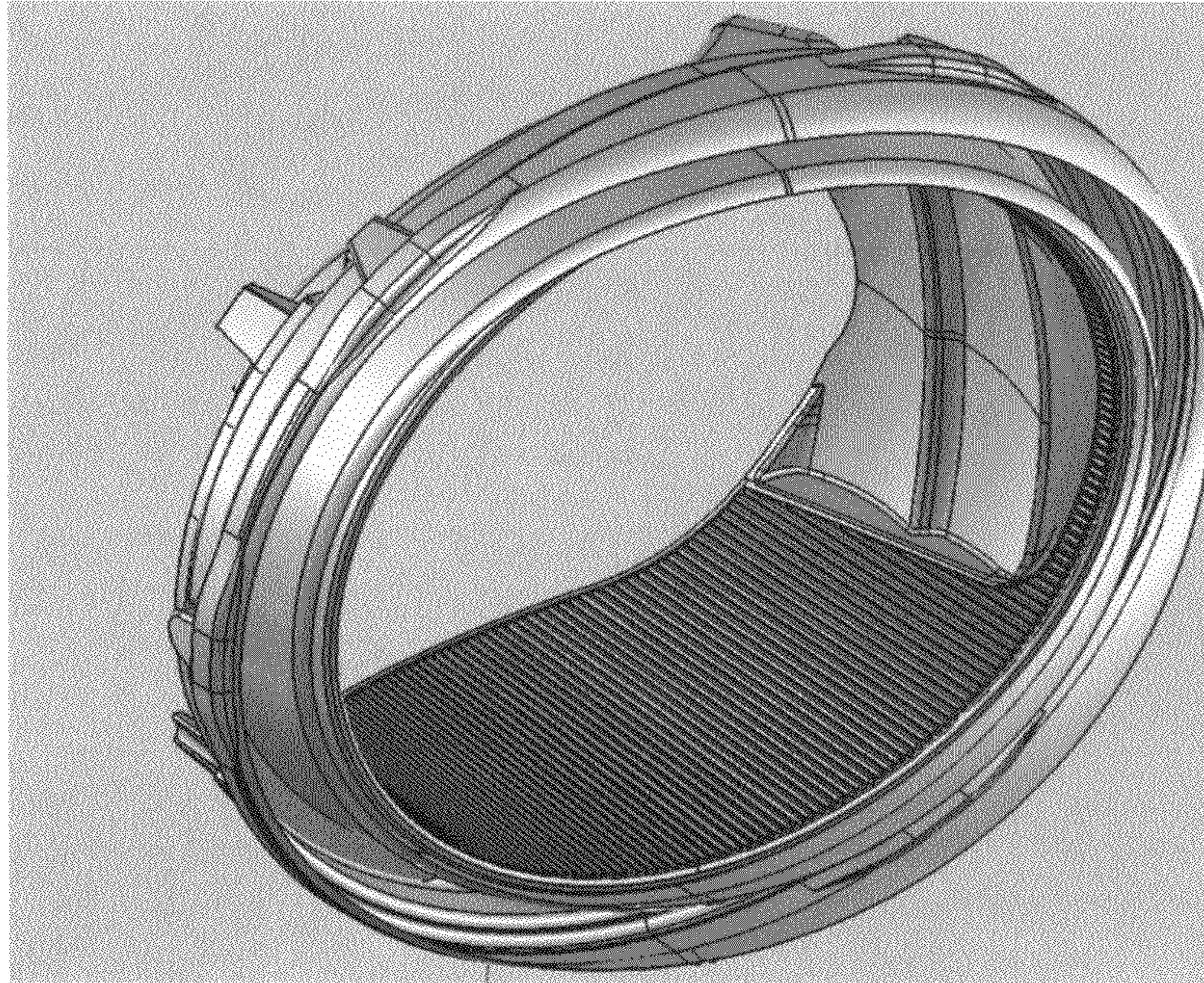


Fig. 7

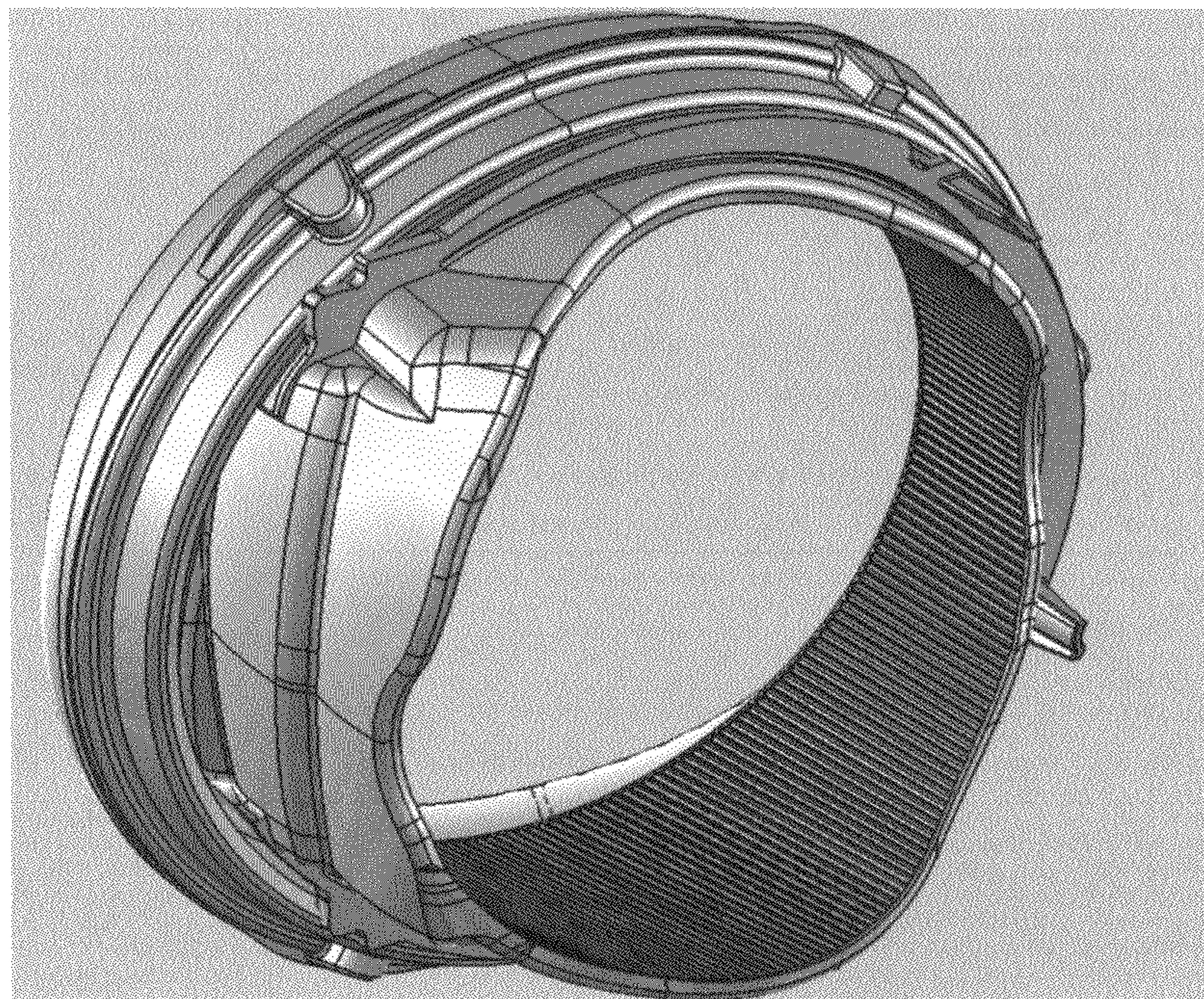


Fig. 8

