



US00D724249S

(12) **United States Design Patent**
Maxik et al.

(10) **Patent No.:** **US D724,249 S**
(45) **Date of Patent:** **** Mar. 10, 2015**

(54) **LINEAR LIGHTING DEVICE**

(71) Applicant: **Biological Illumination, LLC**, Satellite Beach, FL (US)

(72) Inventors: **Fredric S. Maxik**, Indialantic, FL (US);
David E. Bartine, Cocoa, FL (US);
Robert R. Soler, Cocoa Beach, FL (US);
James Lynn Schellack, Cocoa Beach, FL (US)

(73) Assignee: **Biological Illumination, LLC**, Melbourne, FL (US)

(**) Term: **14 Years**

(21) Appl. No.: **29/452,955**

(22) Filed: **Apr. 23, 2013**

Related U.S. Application Data

(63) Continuation-in-part of application No. 13/681,522, filed on Nov. 20, 2012.

(51) **LOC (10) Cl.** **26-03**

(52) **U.S. Cl.**
USPC **D26/76**

(58) **Field of Classification Search**

CPC F21S 2/00; F21S 4/00; F21S 4/003;
F21S 4/005; F21S 4/006; F21S 4/007; F21S
4/008; F21S 6/00; F21S 8/00; F21S 8/024;
F21S 8/026; F21S 8/031; F21S 8/033; F21S
8/035; F21S 8/036; F21S 8/037; F21S 8/04;
F21S 8/043; F21S 8/063
USPC D26/3, 24, 35, 39, 42, 71, 72, 75, 76,
D26/78, 79, 80, 81, 82, 83, 85, 88, 90, 118,
D26/119, 120, 121, 122, 138; 362/23.07,
362/23.09, 23.16, 217.01, 217.02, 217.05,
362/217.08, 217.09, 249.02, 260, 311.02,
362/555, 612, 614, 800

See application file for complete search history.

(56) **References Cited**

U.S. PATENT DOCUMENTS

| | | | | | | |
|--------------|----|---|---------|--------------|-------|---------|
| D215,340 | S | * | 9/1969 | Wince | | D26/76 |
| D345,316 | S | * | 3/1994 | Green et al. | | D26/35 |
| D348,947 | S | * | 7/1994 | Holcomb | | D26/76 |
| D476,753 | S | * | 7/2003 | Chelf et al. | | D26/3 |
| D521,172 | S | * | 5/2006 | Chen | | D26/76 |
| D603,545 | S | * | 11/2009 | Levine | | D26/76 |
| D663,885 | S | * | 7/2012 | Maxik et al. | | D26/118 |
| D675,365 | S | * | 1/2013 | Beghelli | | D26/78 |
| D695,443 | S | * | 12/2013 | Kaule et al. | | D26/76 |
| D701,639 | S | * | 3/2014 | Maxik et al. | | D26/138 |
| D709,238 | S | * | 7/2014 | May | | D26/72 |
| 2006/0146531 | A1 | * | 7/2006 | Reo et al. | | 362/249 |

* cited by examiner

Primary Examiner — Caron D Veynar

Assistant Examiner — Natasha Vujcic

(74) *Attorney, Agent, or Firm* — Mark R. Malek; Widerman Malek, PL

(57) **CLAIM**

The ornamental design for a linear lighting device, as shown and described.

DESCRIPTION

FIG. 1 is a perspective view of a linear lighting device according to the present invention;

FIG. 2 is a front elevation view of the linear lighting device illustrated in FIG. 1;

FIG. 3 is a rear elevation view of the linear lighting device illustrated in FIG. 1;

FIG. 4 is a top plan view of the linear lighting device illustrated in FIG. 1;

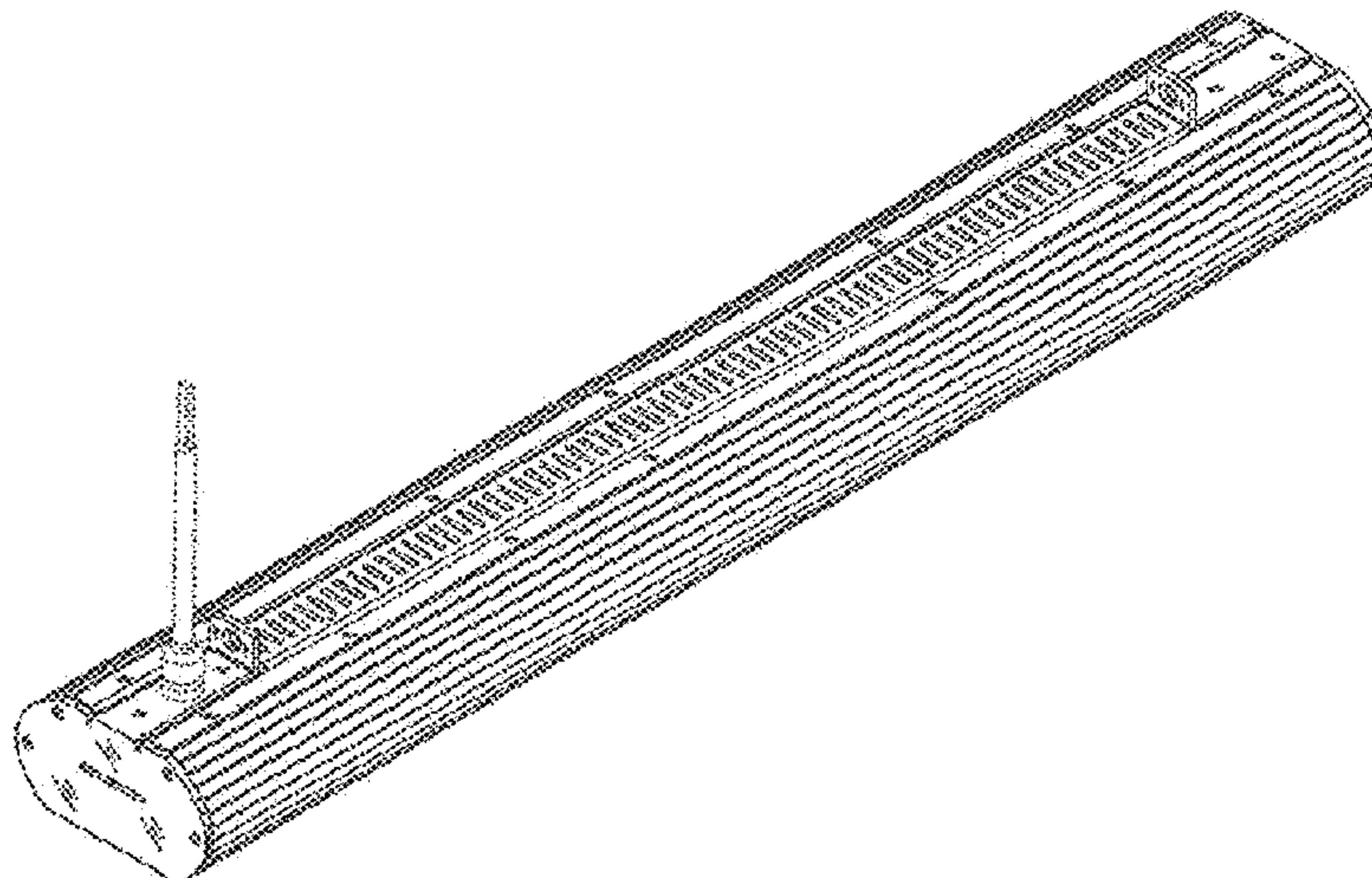
FIG. 5 is a bottom plan view of the linear lighting device illustrated in FIG. 1; and,

FIG. 6 is a side elevation view of the linear lighting device illustrated in FIG. 1.

The broken lines depict elements, including fasteners, light-emitting diodes, and electrical connectors, of the linear lighting device that do not form a claimed feature of the present invention.

The oblique line shading illustrated in FIG. 5 indicates portions of the design that are transparent.

1 Claim, 4 Drawing Sheets



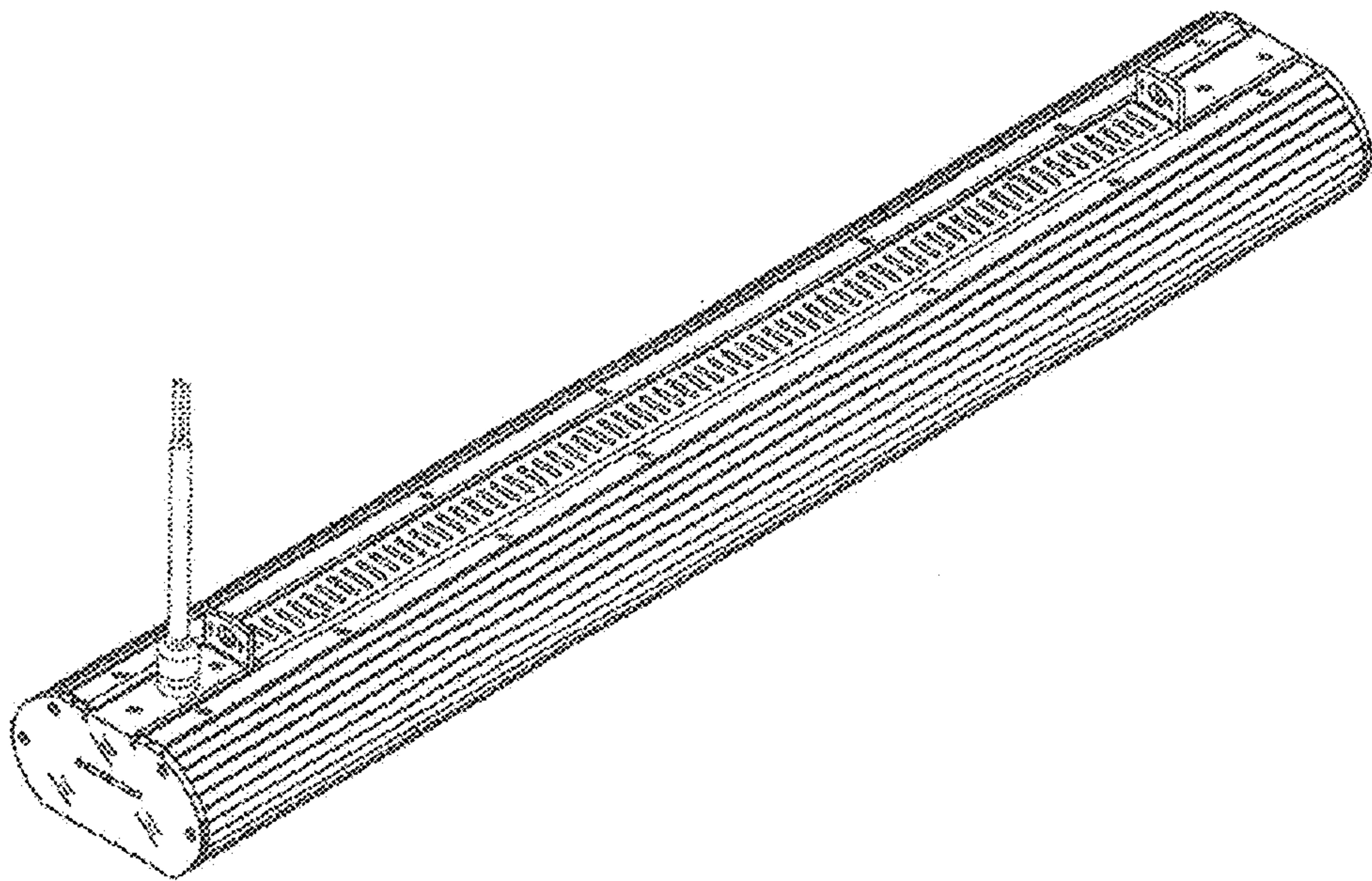


Fig. 1

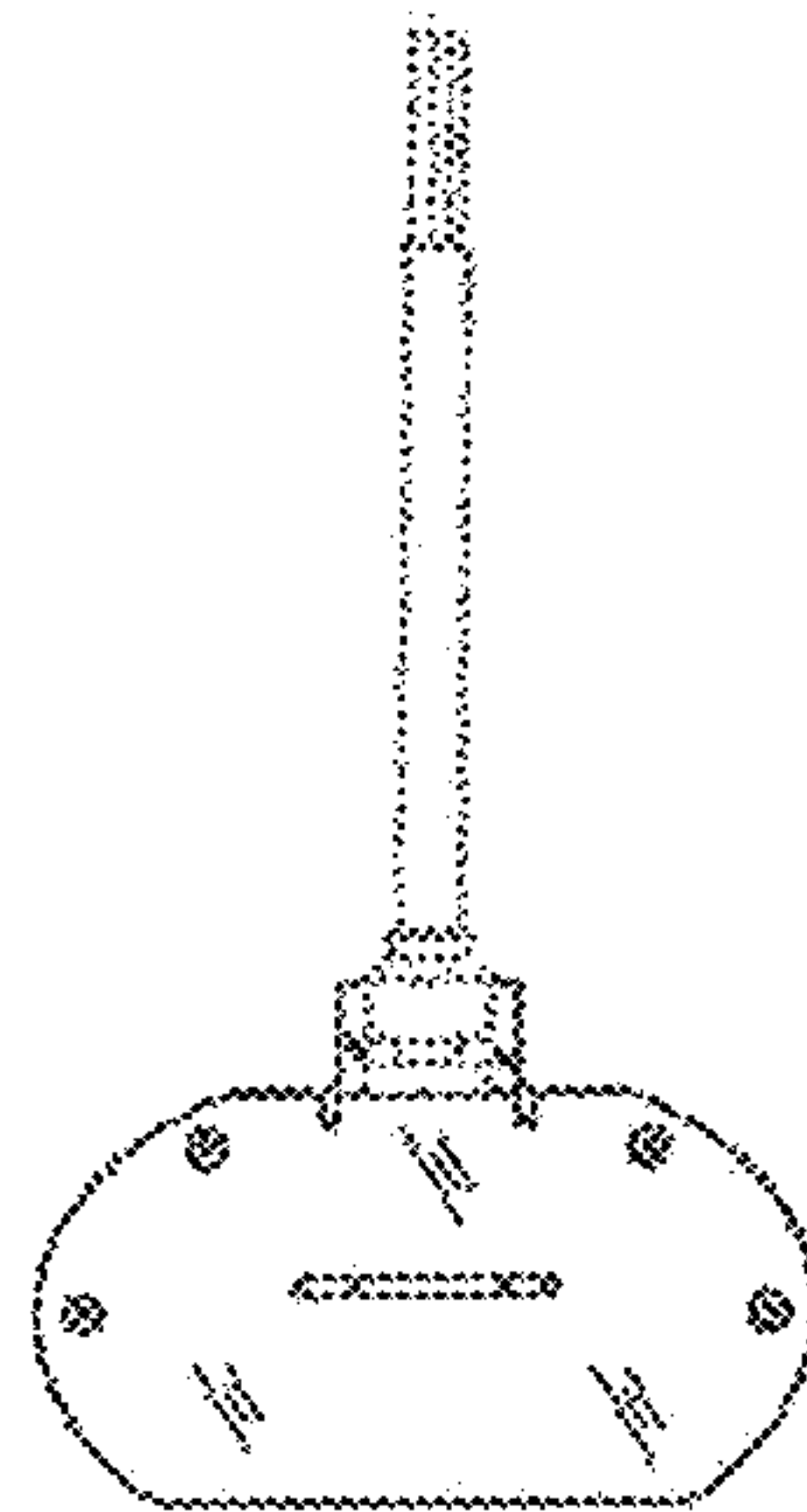


Fig. 2

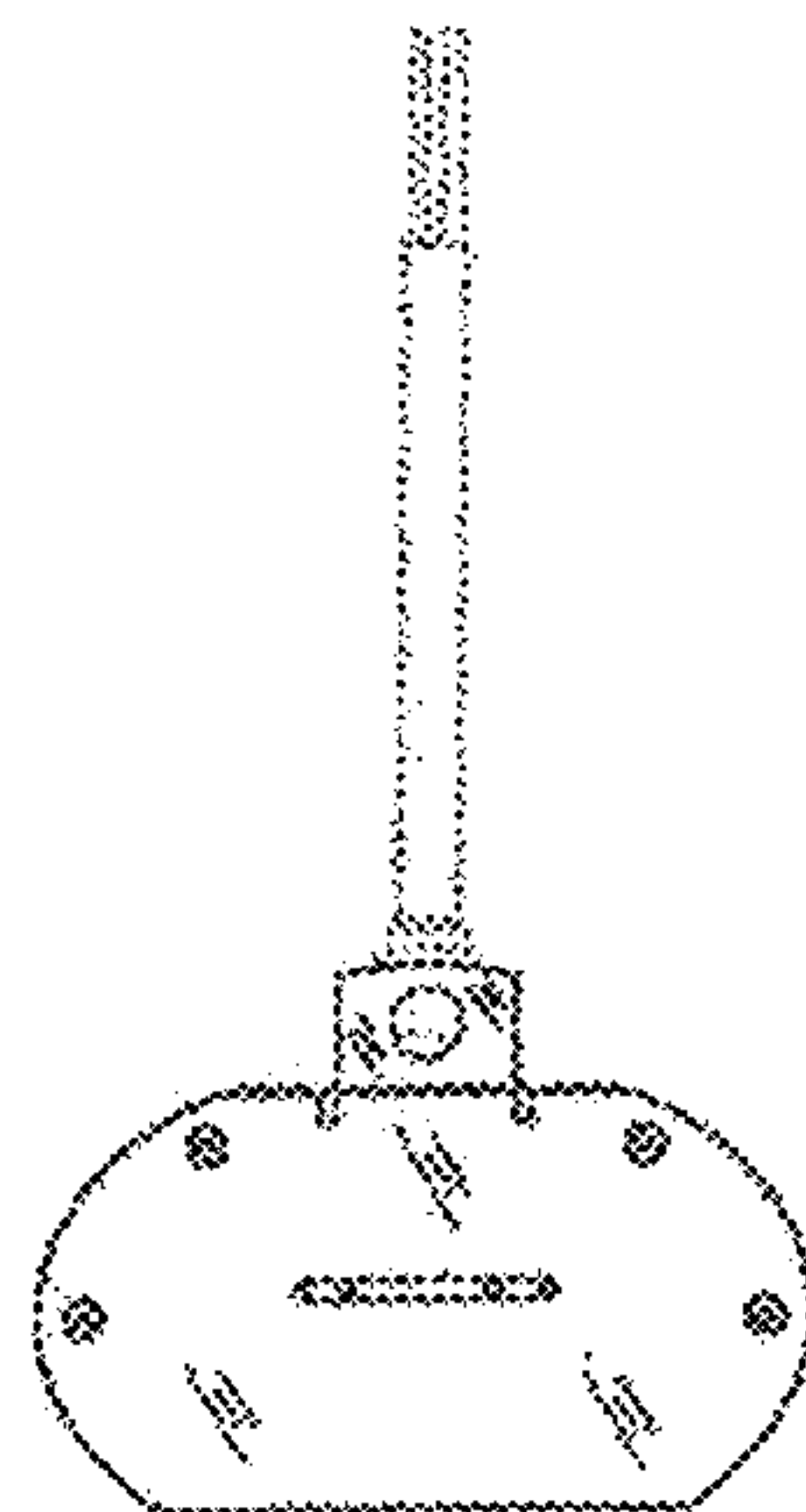


Fig. 3

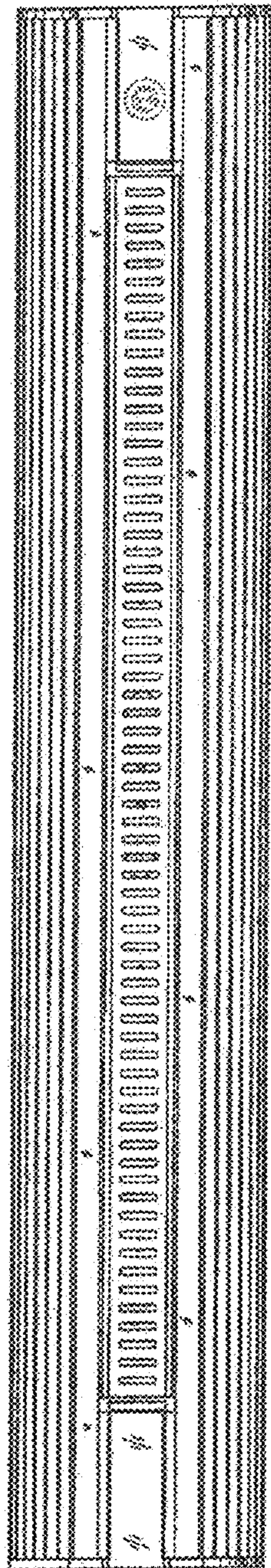


Fig. 4

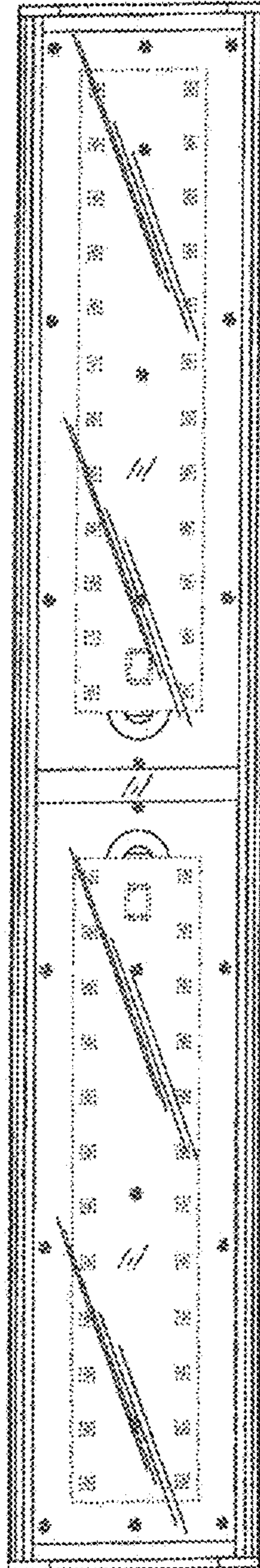


Fig. 5

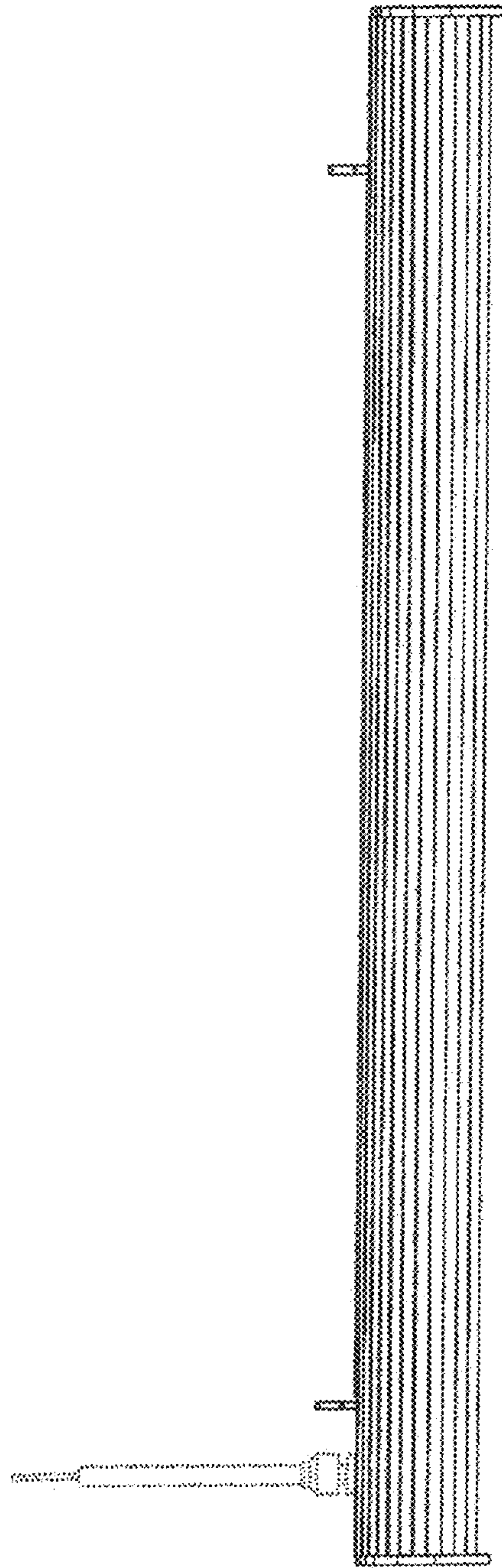


Fig. 6