



US00D724248S

(12) **United States Design Patent**
Brands et al.

(10) **Patent No.:** **US D724,248 S**

(45) **Date of Patent:** **** Mar. 10, 2015**

(54) **HEADLAMP**

(75) Inventors: **David C. Brands**, Portland, OR (US);
David Dohna Lewin, Portland, OR (US)

(73) Assignee: **Coast Cutlery Co.**, Portland, OR (US)

(**) Term: **14 Years**

(21) Appl. No.: **29/420,894**

(22) Filed: **May 14, 2012**

(51) **LOC (10) Cl.** **26-02**

(52) **U.S. Cl.**
USPC **D26/39**

(58) **Field of Classification Search**
USPC D26/37-39, 46, 49; 362/103, 105, 106,
362/108, 109-112, 157, 158, 183, 184,
362/194-196, 200-208; D16/200, 208, 217
See application file for complete search history.

(56) **References Cited**

U.S. PATENT DOCUMENTS

D533,954 S	*	12/2006	Opolka	D26/39
D549,372 S	*	8/2007	Lee	D26/39
D554,782 S	*	11/2007	Shiu	D26/39
D556,927 S	*	12/2007	Shiu	D26/39
D566,310 S	*	4/2008	Alessio	D26/39
D575,888 S	*	8/2008	Shiu	D26/39
D614,786 S	*	4/2010	Lee	D26/39
D624,221 S	*	9/2010	DeBrunner	D26/39
D648,468 S	*	11/2011	Gibson	D26/49
D674,944 S	*	1/2013	Bertken	D26/39
D683,489 S	*	5/2013	Lee	D26/39

OTHER PUBLICATIONS

COAST Products Inc, Website, HL3 LED Headlamp, <http://www.coastportland.com/hl3-led-headlamp.htm>.

(Continued)

Primary Examiner — Ian Simmons

Assistant Examiner — Carissa C Fitts

(74) *Attorney, Agent, or Firm* — Schwabe Williamson & Wyatt

(57) **CLAIM**

We claim an ornamental design for a headlamp, as shown and described.

DESCRIPTION

FIG. 1 is a perspective view of an embodiment of the headlamp;

FIG. 2 is a front view of the headlamp illustrated in FIG. 1.

FIG. 3 is a rear view of the headlamp illustrated in FIG. 1;

FIG. 4 is a left side view of the headlamp illustrated in FIG. 1;

FIG. 5 is a right side view of the headlamp illustrated in FIG. 1;

FIG. 6 is a top view of the headlamp illustrated in FIG. 1;

FIG. 7 is a bottom view of the headlamp illustrated in FIG. 1;

FIG. 8 is a left side view of the headlamp illustrated in FIG. 1; shown with a portion of the headlamp rotated in one direction;

FIG. 9 is a left side view of the headlamp illustrated in FIG. 1, shown with a portion of the headlamp rotated in the opposite direction of FIG. 8;

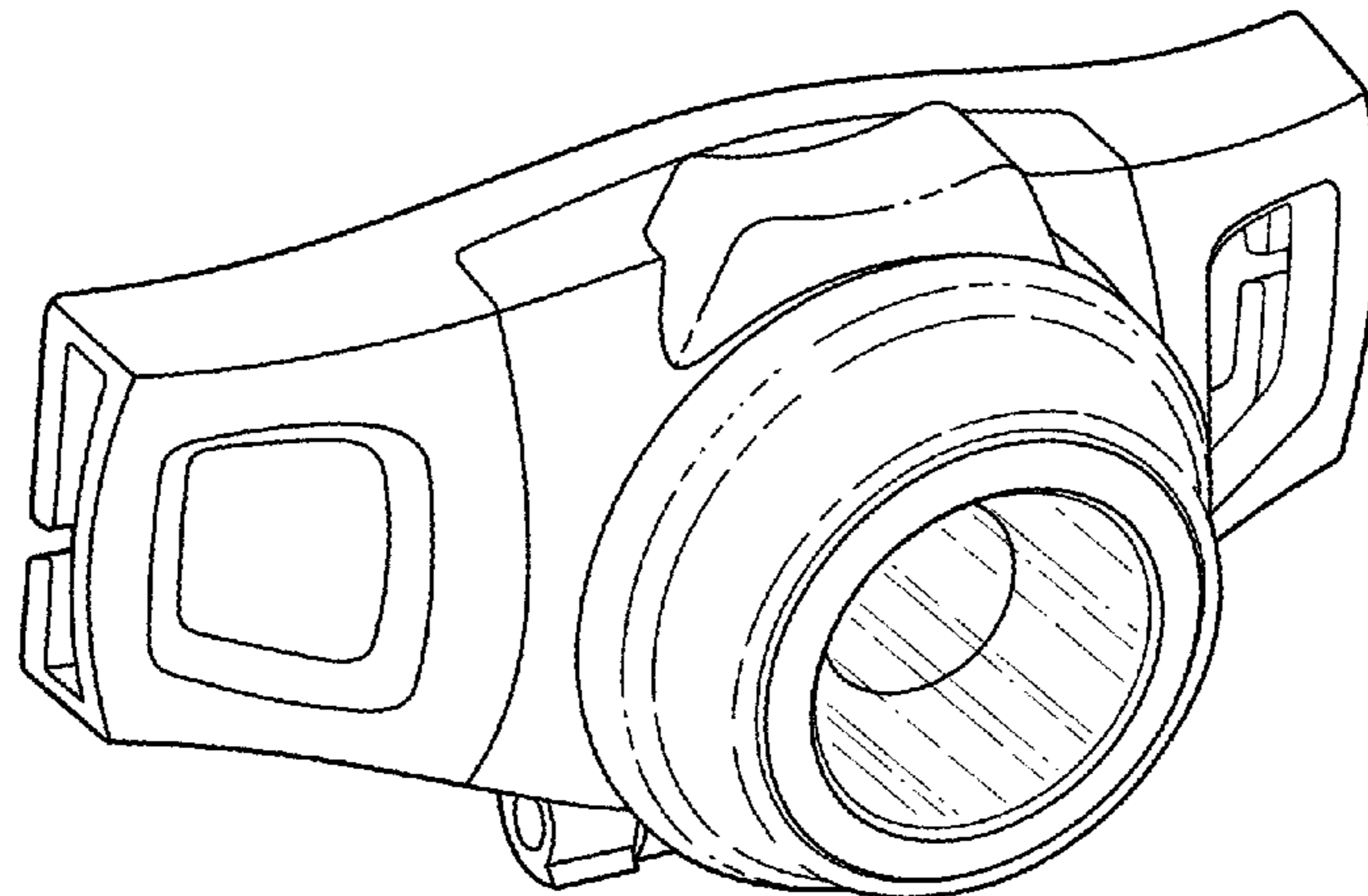
FIG. 10 is a left side view of the headlamp illustrated in FIG. 1;

FIG. 11 is a left side view of the headlamp illustrated in FIG. 1, shown with a portion of the headlamp tilted in a downward direction;

FIG. 12 is a top view of the headlamp illustrated in FIG. 1; and,

FIG. 13 is a top view of the headlamp illustrated in FIG. 1, shown with a portion of the headlamp tilted in a downward direction.

1 Claim, 7 Drawing Sheets



(56)

References Cited

OTHER PUBLICATIONS

COAST Products Inc, Website, HL4 144 Lumen Dual Color LED Headlamp, <http://www.coastportland.com/hl4-dual-color-led-headlamp.htm>.

COAST Products Inc, Website, HL5 LED Headlamp, <http://www.coastportland.com/hl5-led-headlamp.htm>.

COAST Products Inc, Website, HL6 LED Headlamp, <http://www.coastportland.com/hl6-led-headlamp.htm>.

COAST Products Inc, Website, HL7 Focusing LED Headlamp, <http://www.coastportland.com/hl7-led-headlamp.htm>.

COAST Products Inc, Website, HL7R Rechargeable Focusing 150 Lumen LED Headlamp, <http://www.coastportland.com/hl7r-led-headlamp.htm>.

* cited by examiner

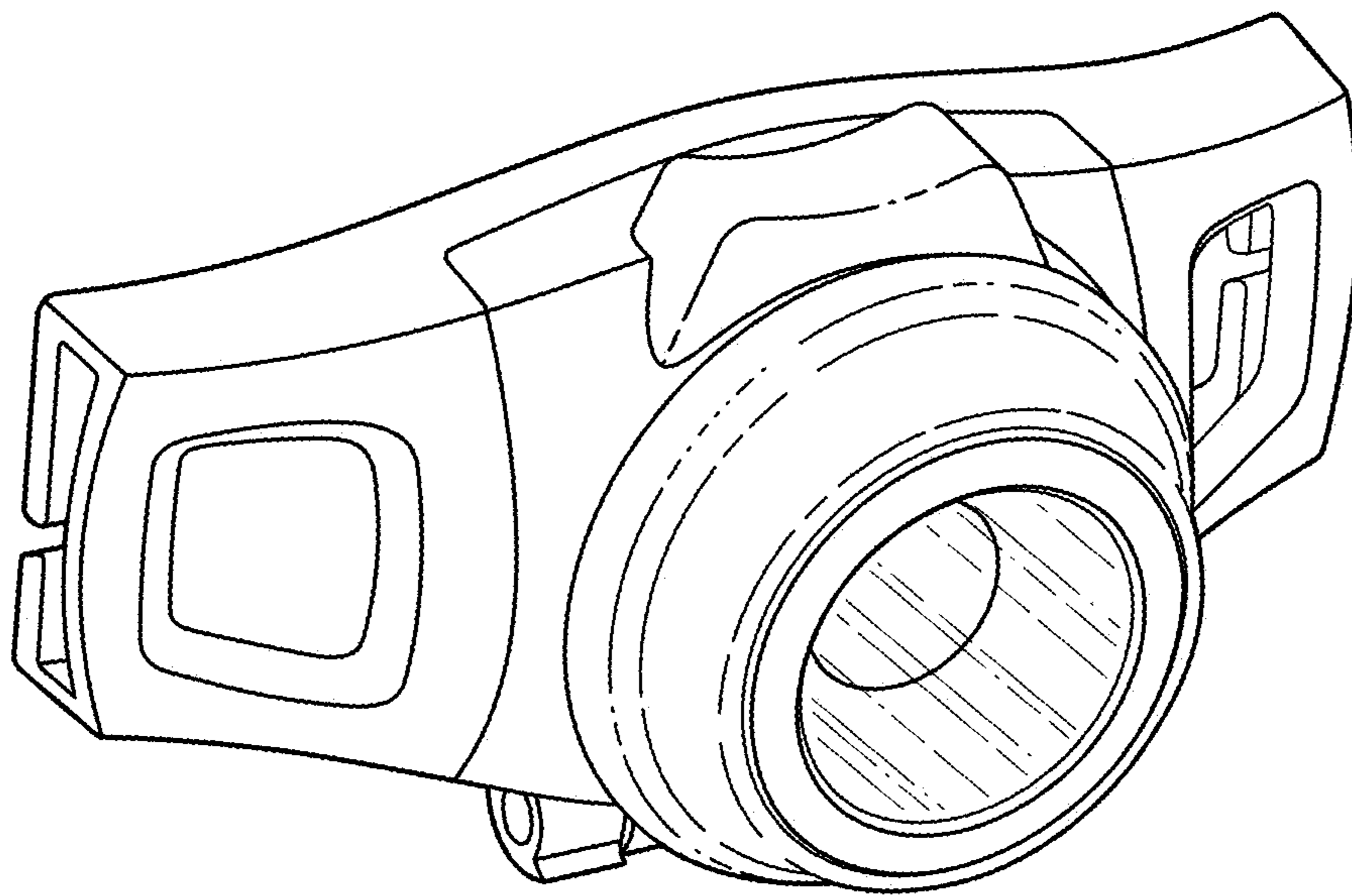


FIG. 1

FIG. 2

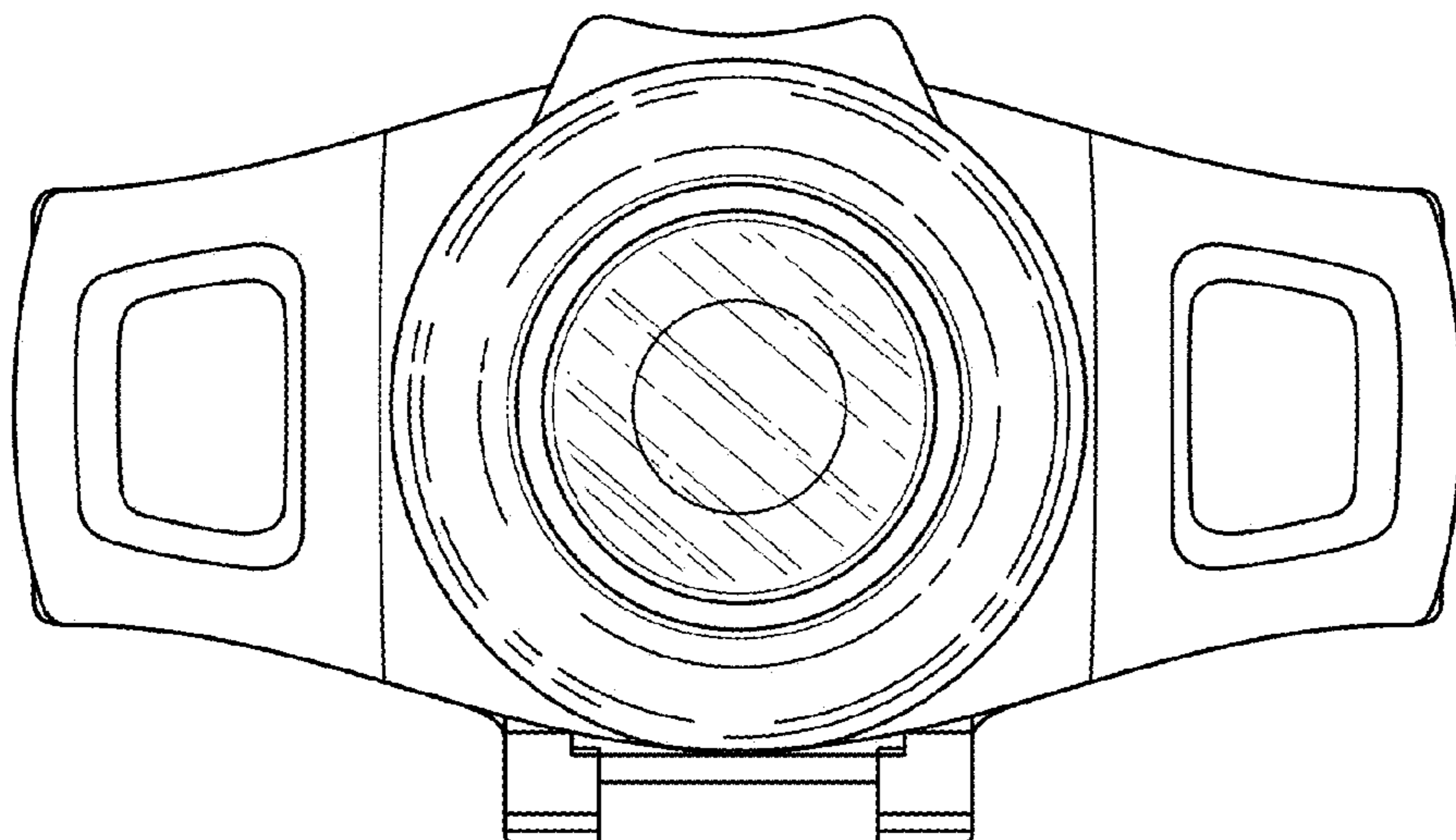
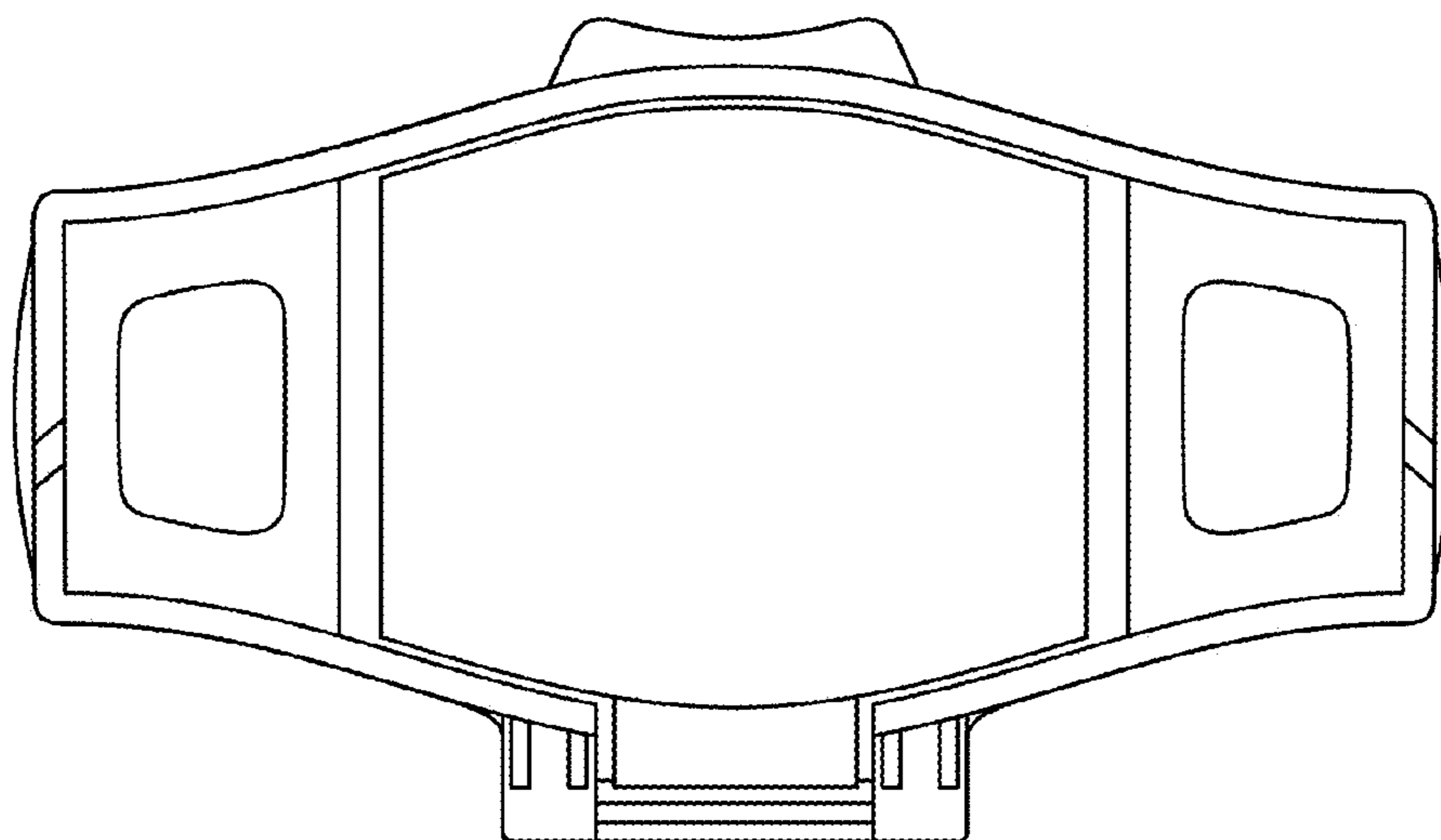


FIG. 3



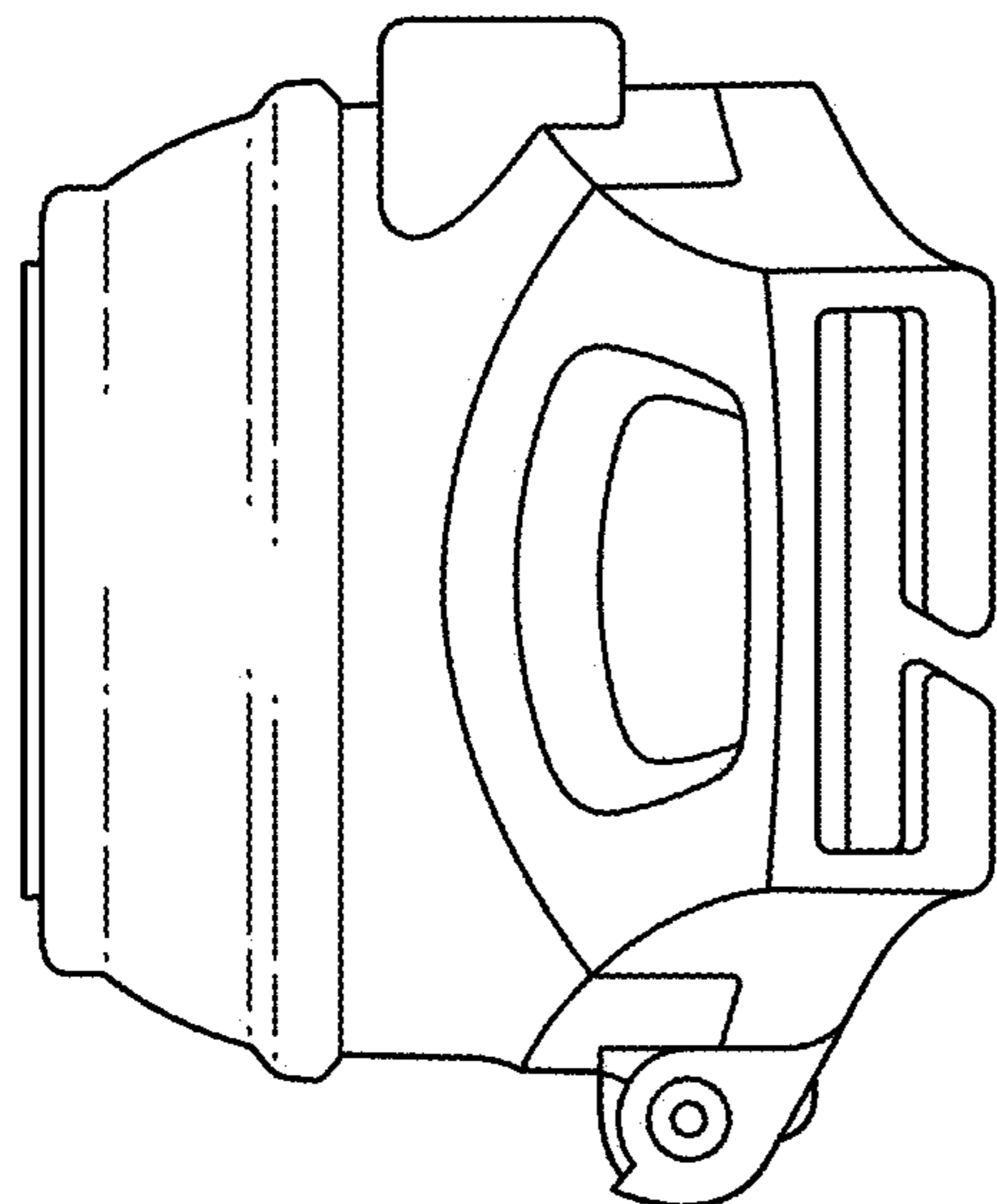


FIG. 4

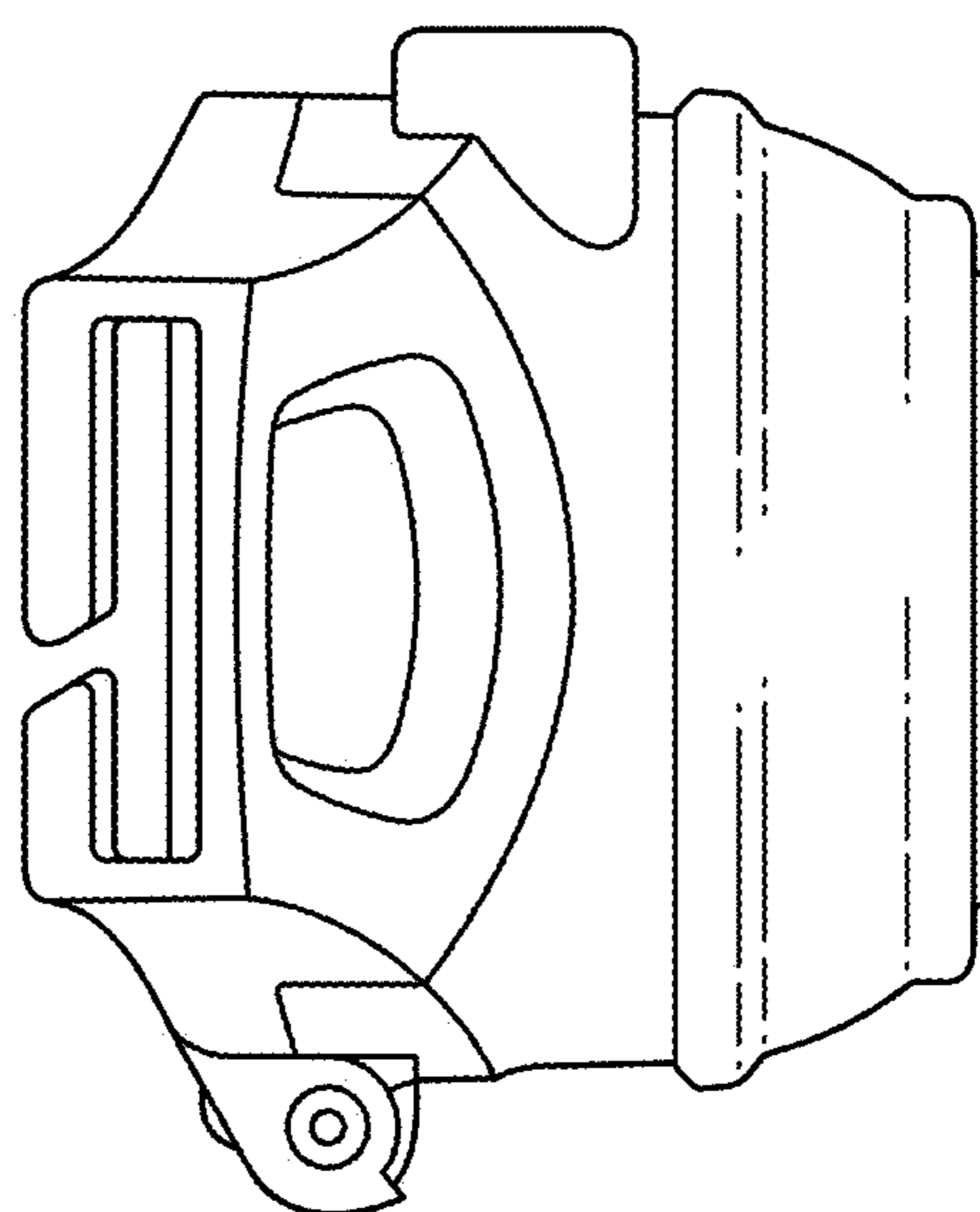


FIG. 5

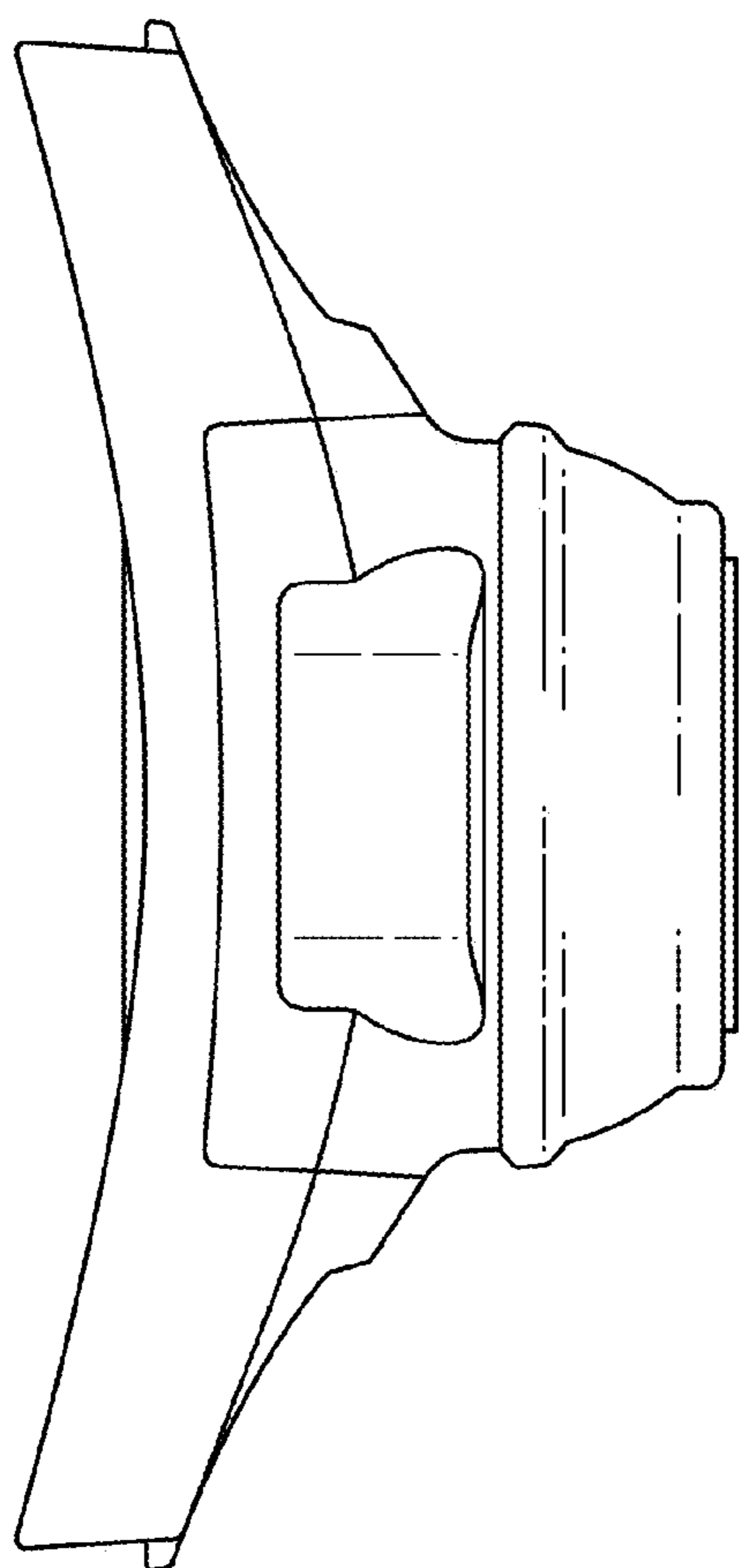


FIG. 6

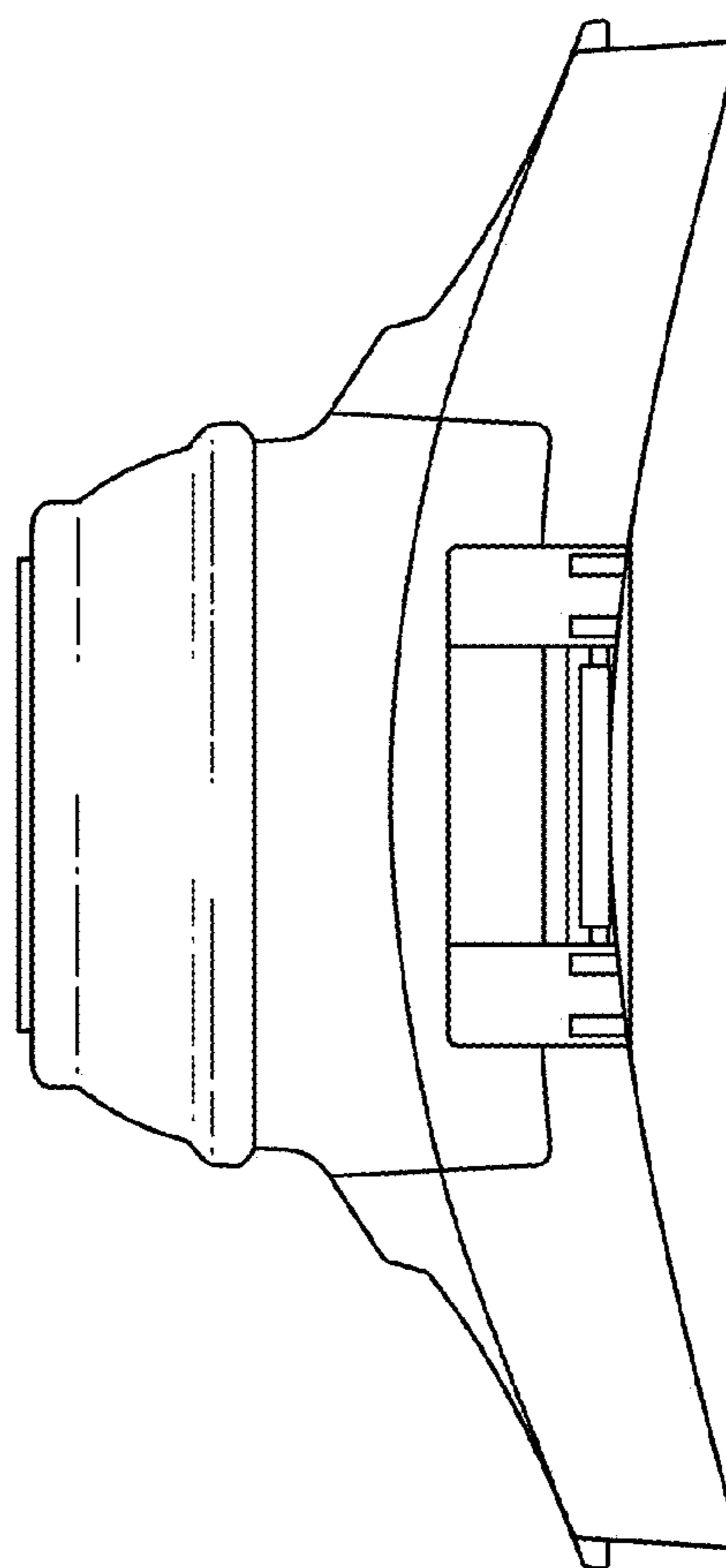


FIG. 7

FIG. 8

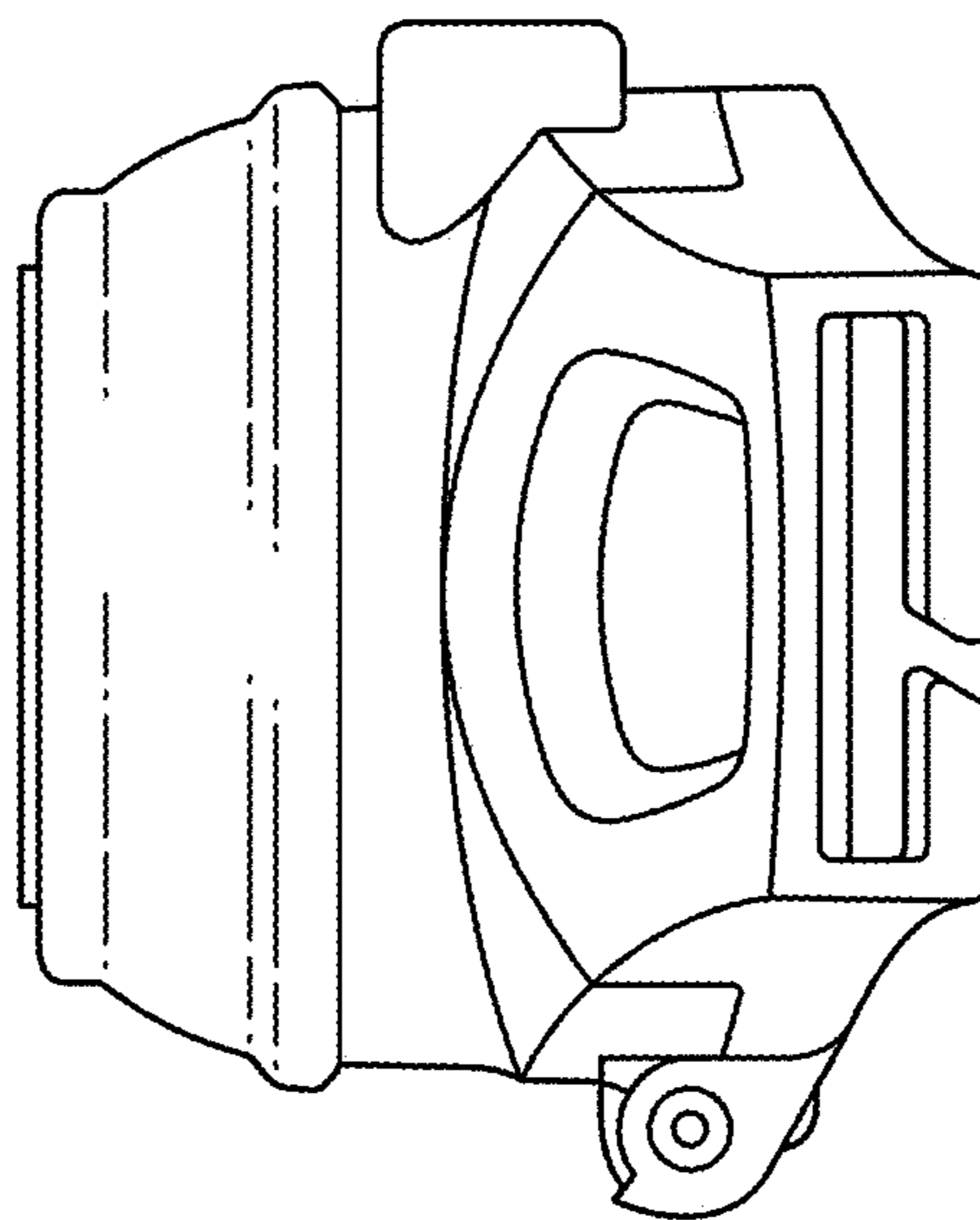


FIG. 9

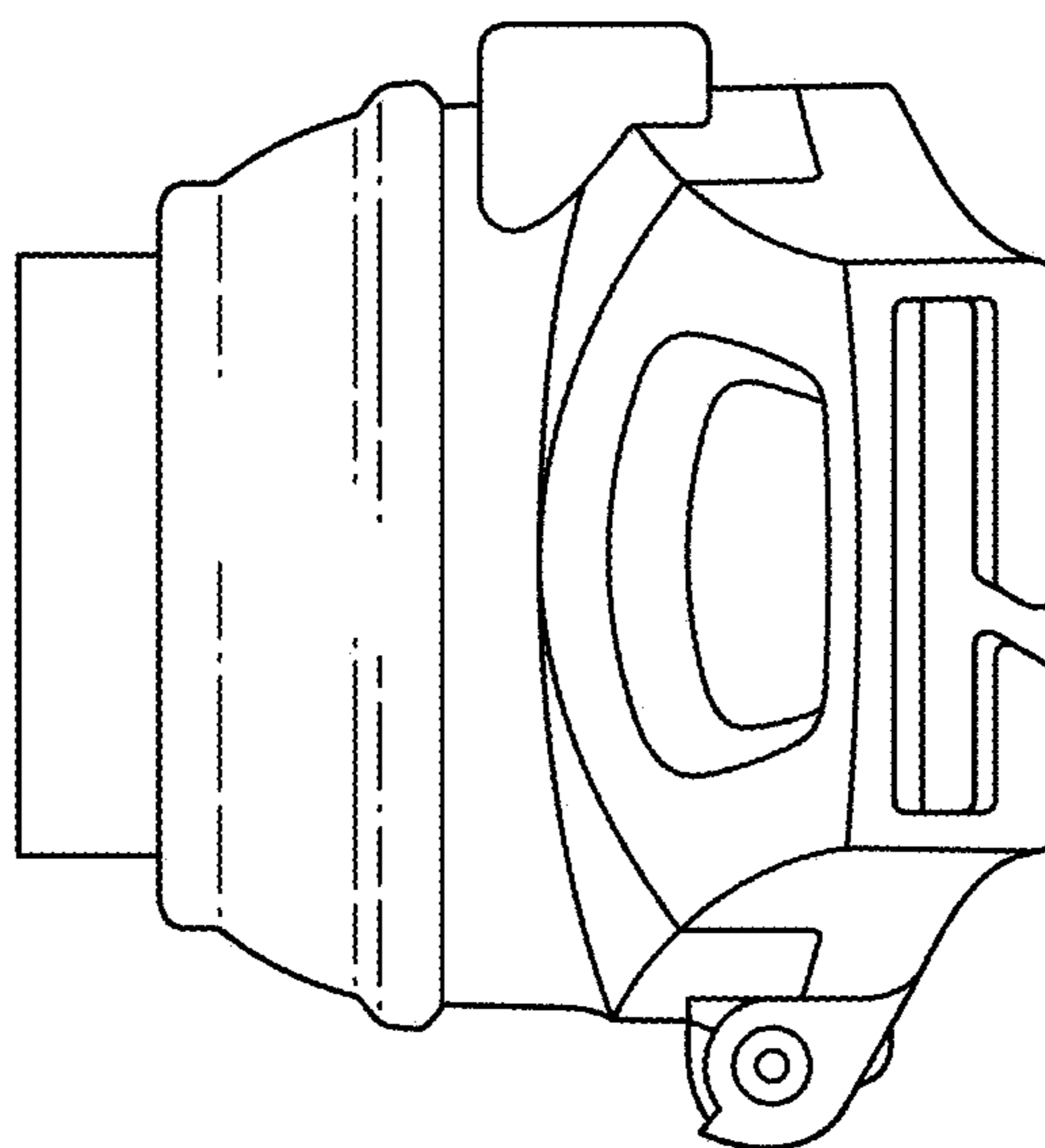


FIG. 10

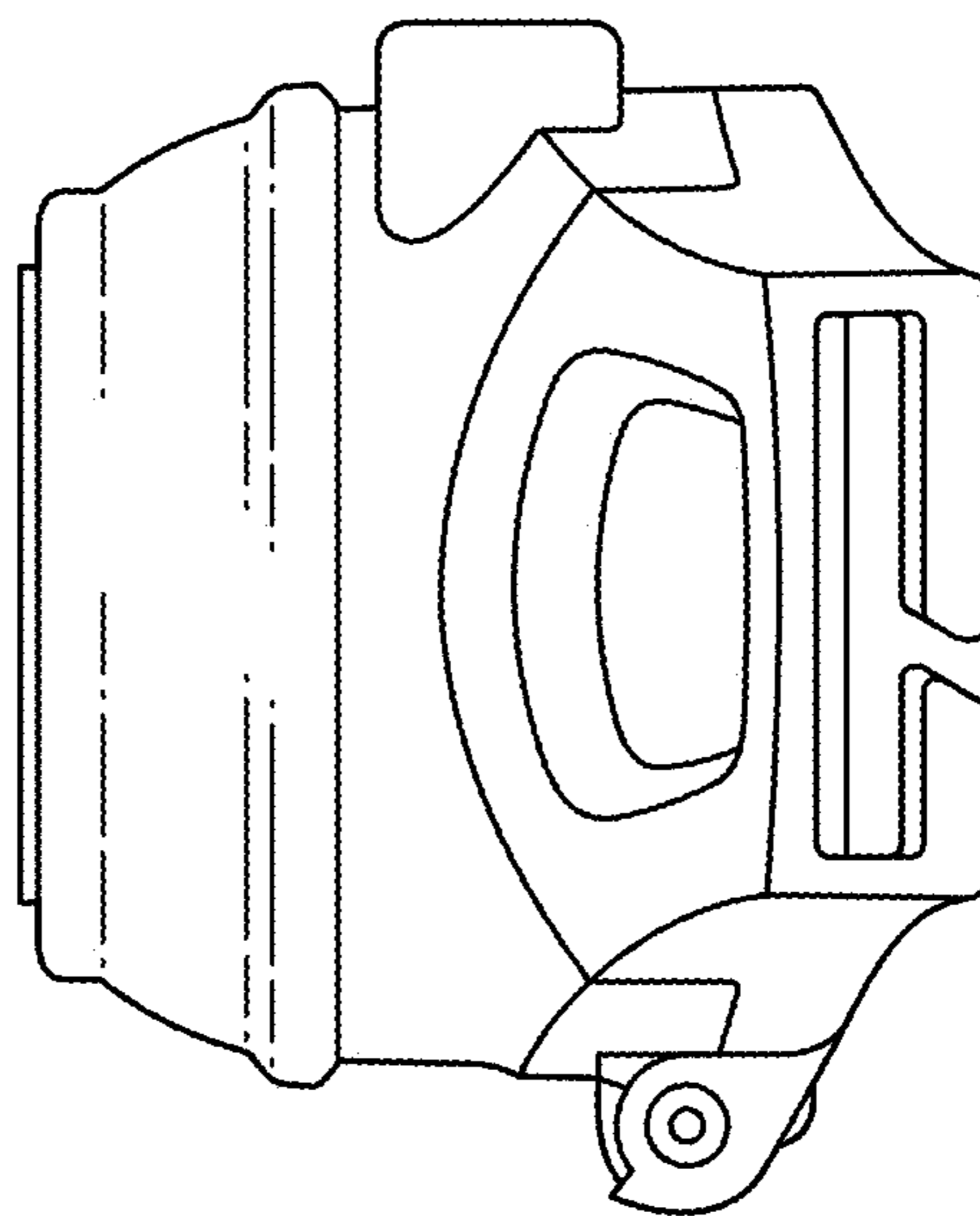


FIG. 11

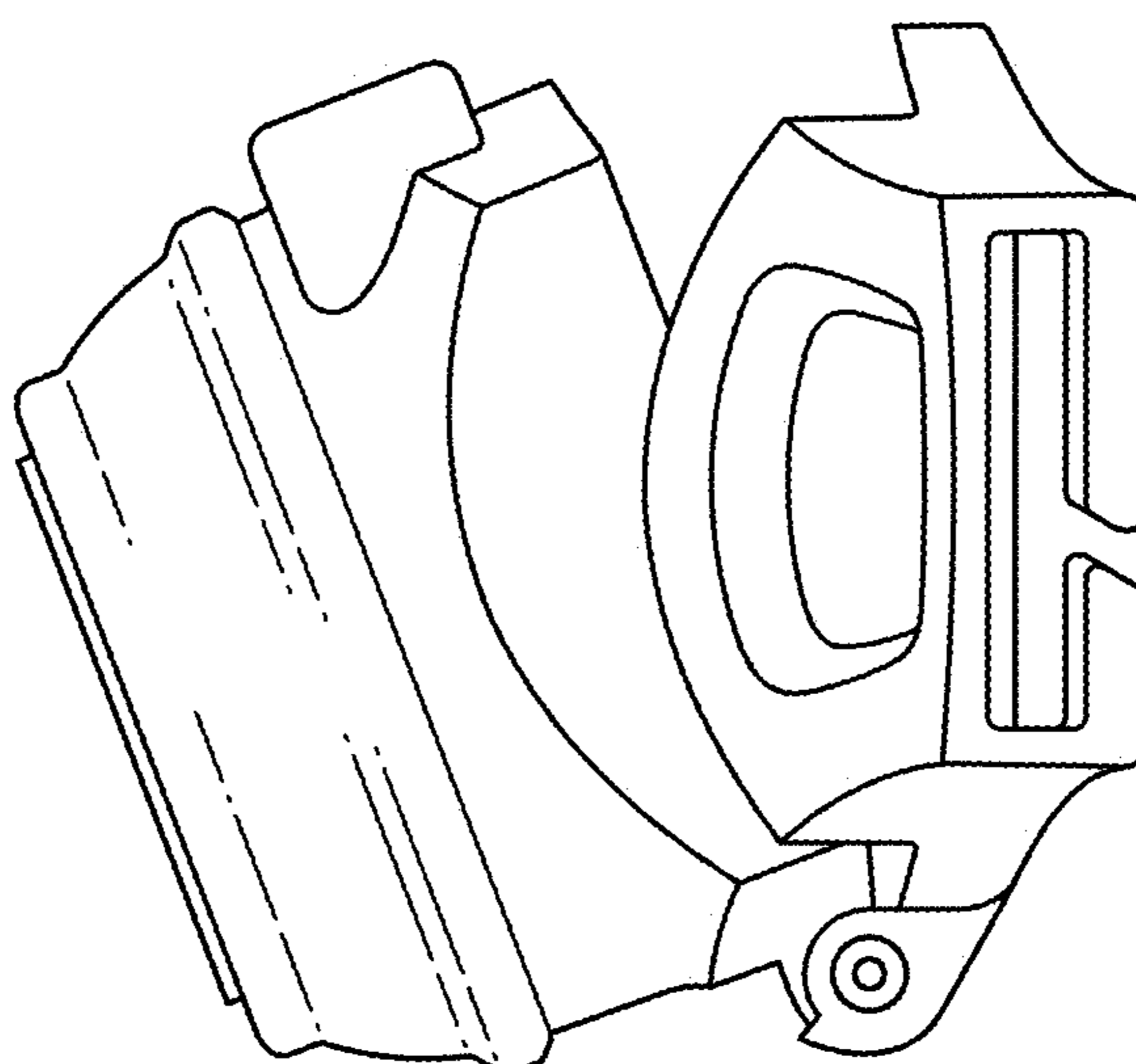


FIG. 12

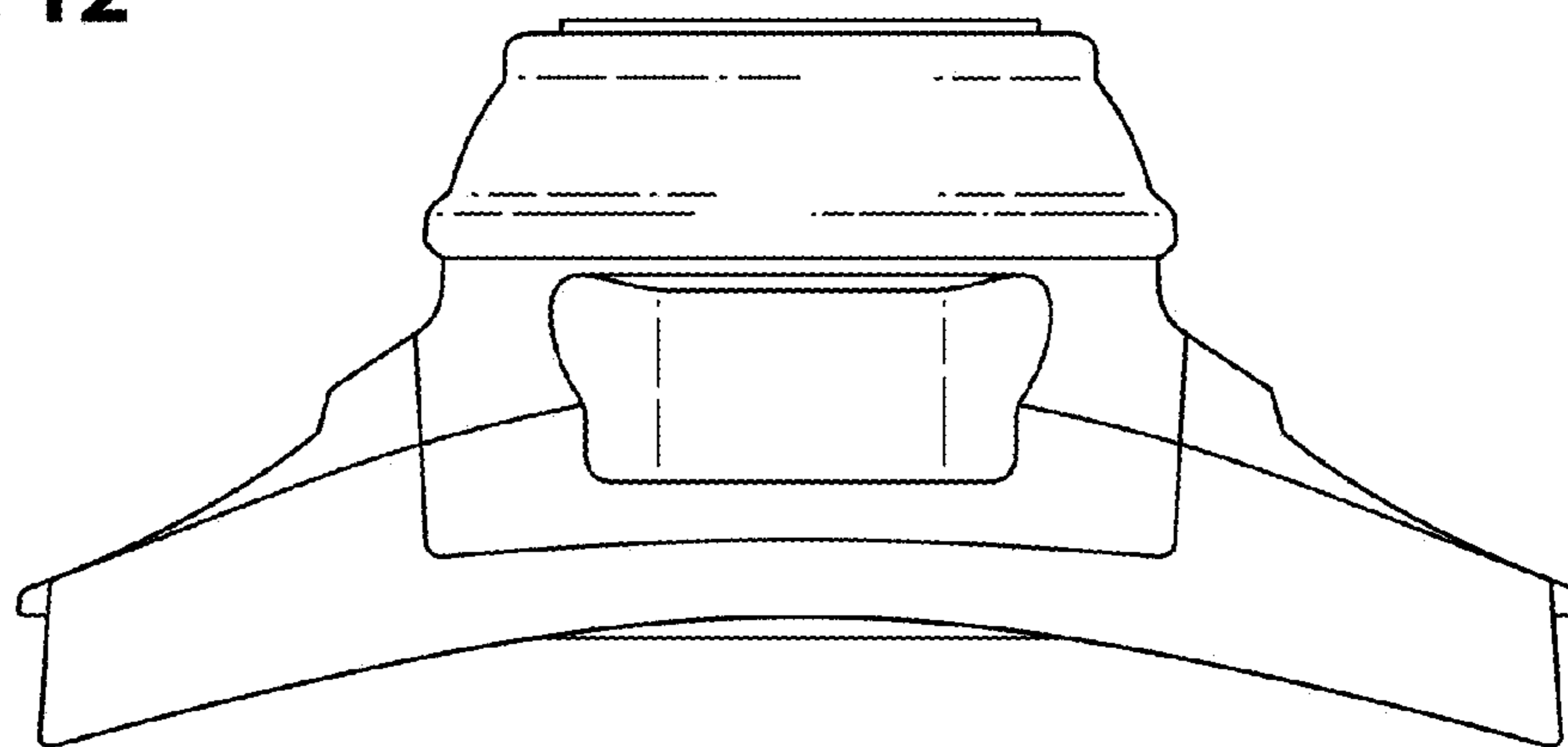


FIG. 13

