



US00D724246S

(12) **United States Design Patent**
Hong

(10) **Patent No.:** **US D724,246 S**
(45) **Date of Patent:** **** Mar. 10, 2015**

(54) **LED LIGHT**

(71) Applicant: **Charles Amash Imports, Inc.**, Wayland, MI (US)

(72) Inventor: **Fei Hong**, West Vancouver (CA)

(73) Assignee: **Charles Amash Imports, Inc.**, Wayland, MI (US)

(**) Term: **14 Years**

(21) Appl. No.: **29/461,727**

(22) Filed: **Jul. 26, 2013**

(51) **LOC (10) Cl.** **26-02**

(52) **U.S. Cl.**
USPC **D26/37**

(58) **Field of Classification Search**
USPC D26/37, 38, 40, 50, 46, 49, 42;
362/157, 158, 183, 184, 194–196,
362/202–208

See application file for complete search history.

(56) **References Cited**

U.S. PATENT DOCUMENTS

D264,254 S *	5/1982	Heritage	D26/74
D282,583 S *	2/1986	Hung	D26/40
D389,420 S *	1/1998	Campman	D10/114.9
D485,364 S *	1/2004	Lee	D24/217
D505,217 S *	5/2005	Bayat et al.	D26/42
D538,456 S *	3/2007	Trigiani et al.	D26/42
D540,484 S *	4/2007	Bayat et al.	D26/42
D556,926 S *	12/2007	Thirouin	D26/37
D593,695 S *	6/2009	Levine	D26/42
D620,627 S *	7/2010	Kovacik et al.	D26/42
D626,672 S *	11/2010	De Rubertis	D26/38
D672,894 S *	12/2012	Bayat et al.	D26/42
8,414,142 B2	4/2013	Tucker et al.		
D691,310 S *	10/2013	Zhou et al.	D26/37
D694,446 S *	11/2013	Zhou et al.	D26/42

OTHER PUBLICATIONS

[#5618](https://www.nebotools.com/prod_details.php?id=165) Larry 8 LED Work Light; believed to be first sold on amazon.com at least as early as Aug. 1, 2012.

* cited by examiner

Primary Examiner — Ian Simmons

Assistant Examiner — Carissa C Fitts

(74) *Attorney, Agent, or Firm* — Honigman Miller Schwartz and Cohn LLP; Douglas H. Siegel; Jonathan O'Brien

(57) **CLAIM**

The ornamental design for an LED light, as shown and described.

DESCRIPTION

FIG. 1 is a front, perspective view of an LED light showing my new design;

FIG. 2 is a front view thereof;

FIG. 3 is a back view thereof;

FIG. 4 is a left side view thereof;

FIG. 5 is a right side view thereof;

FIG. 6 is a top view thereof; and

FIG. 7 is a bottom view thereof.

FIG. 8 is as front perspective view of an LED light showing my new design;

FIG. 9 is a front view thereof;

FIG. 10 is a back view thereof;

FIG. 11 is a left side view thereof;

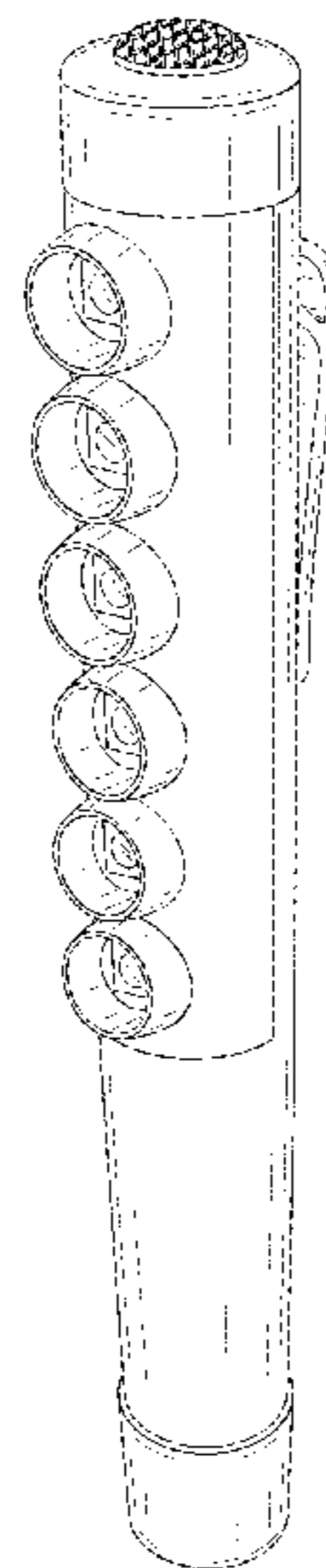
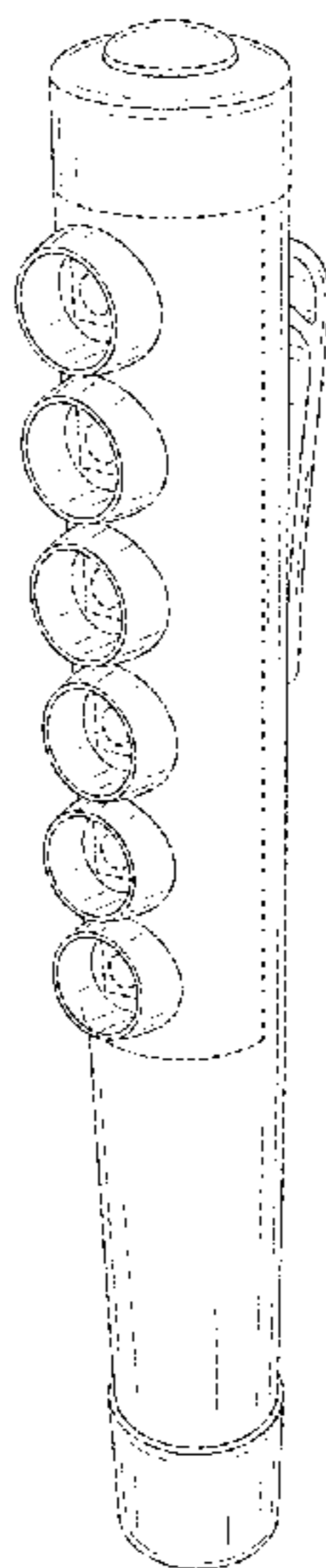
FIG. 12 is a right side view thereof;

FIG. 13 is a top view thereof; and,

FIG. 14 is a bottom view thereof.

The dashed lines in the drawing views depict portions of the design that form no part of the claim.

1 Claim, 8 Drawing Sheets



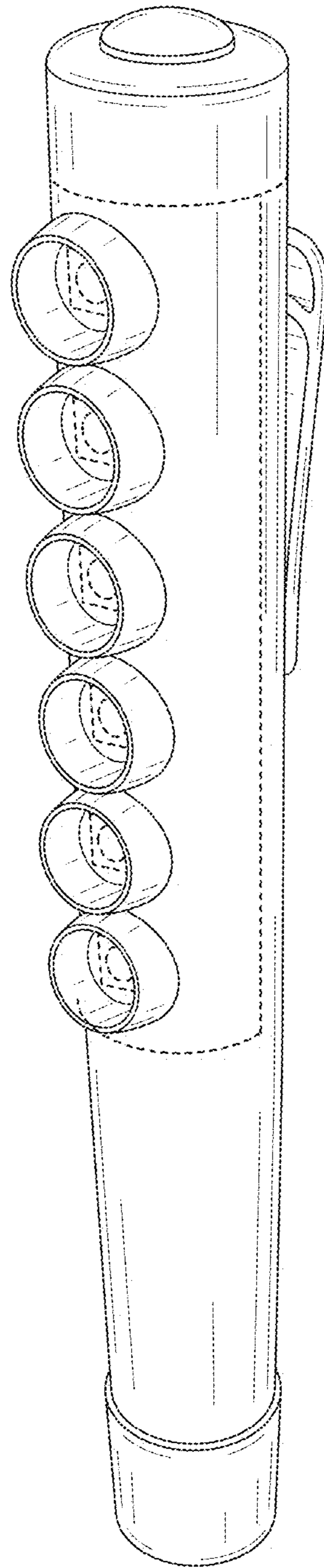


FIG. 1

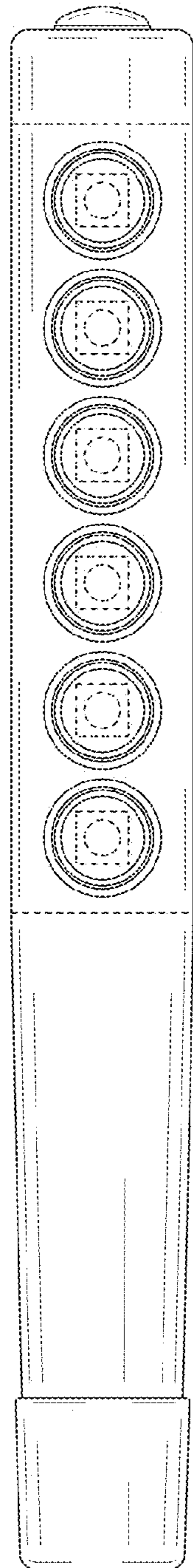


FIG. 2

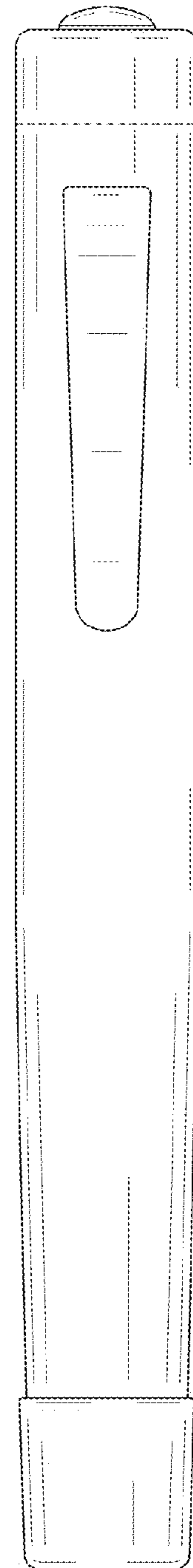


FIG. 3

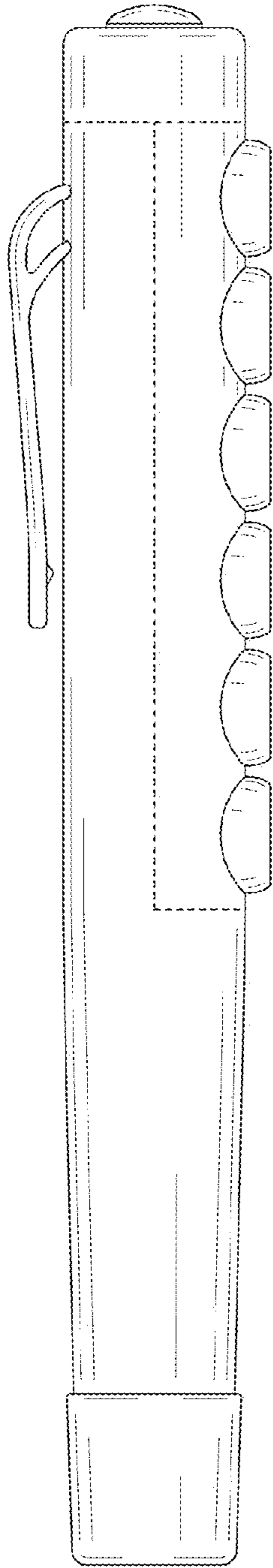


FIG. 4

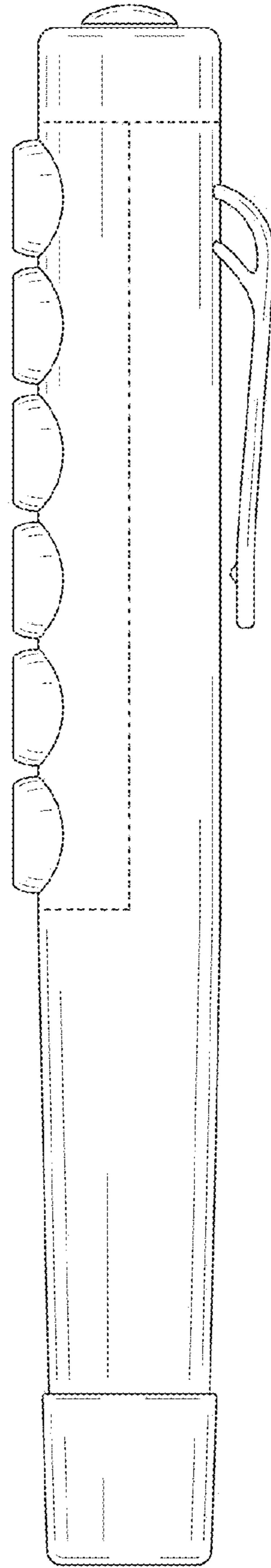


FIG. 5

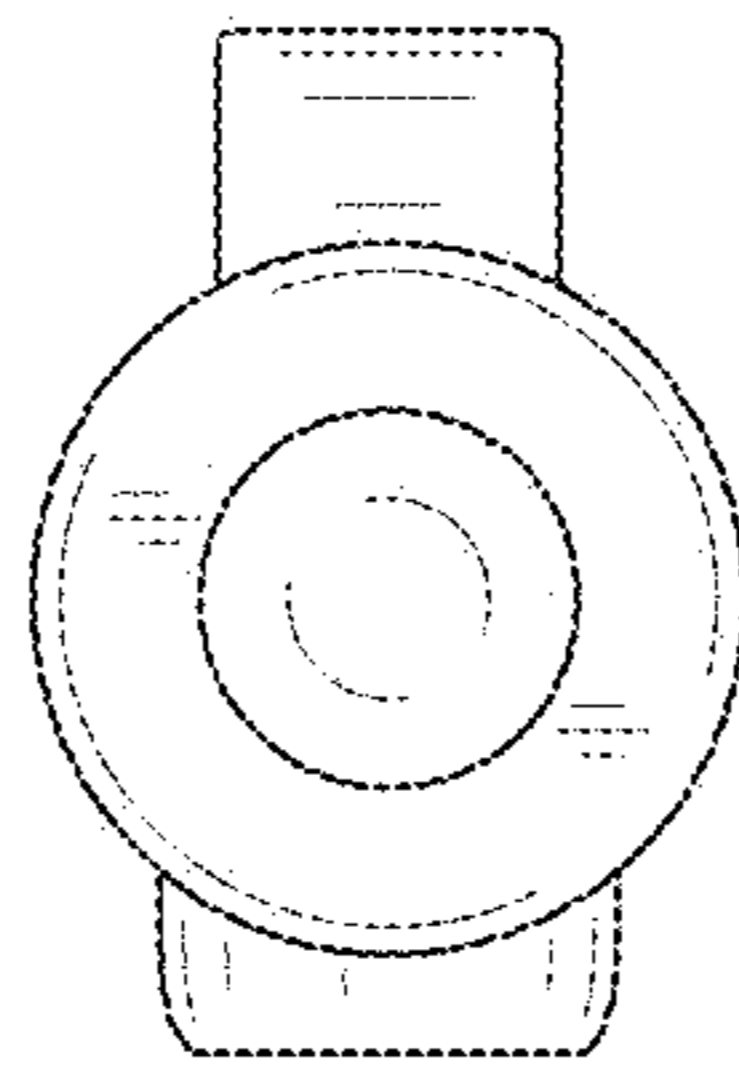


FIG. 6

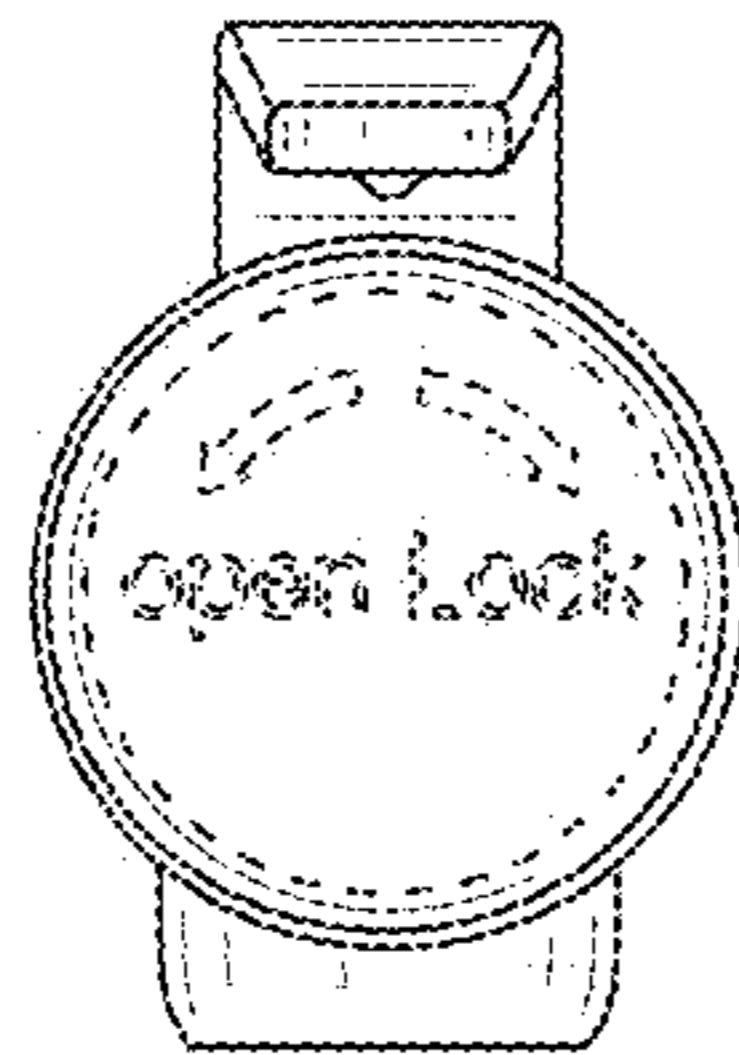


FIG. 7

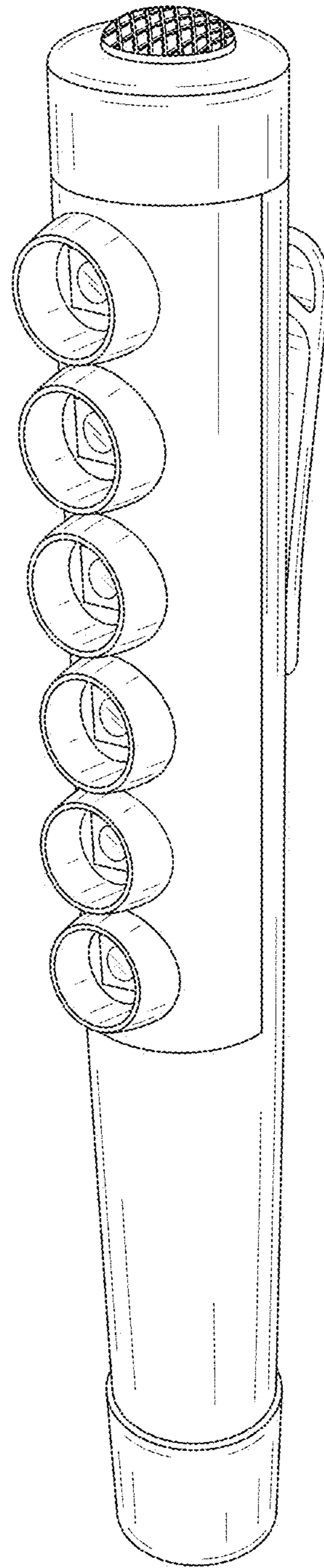


FIG. 8

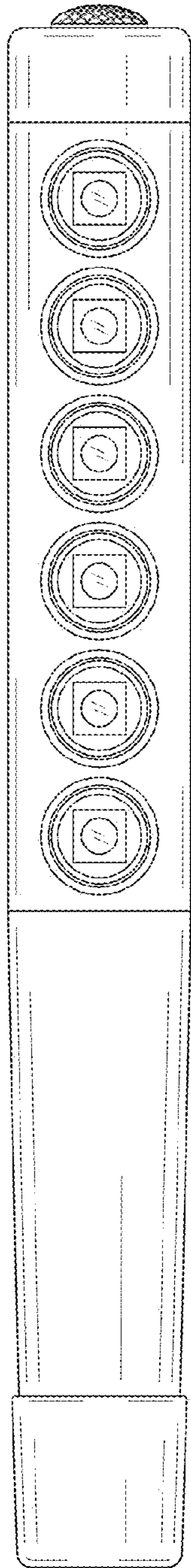


FIG. 9

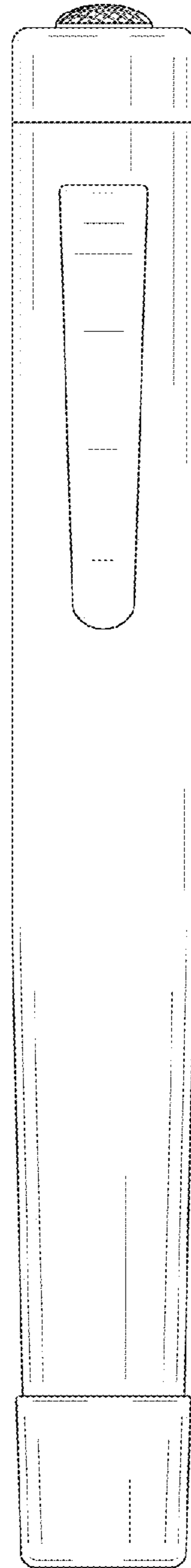


FIG. 10

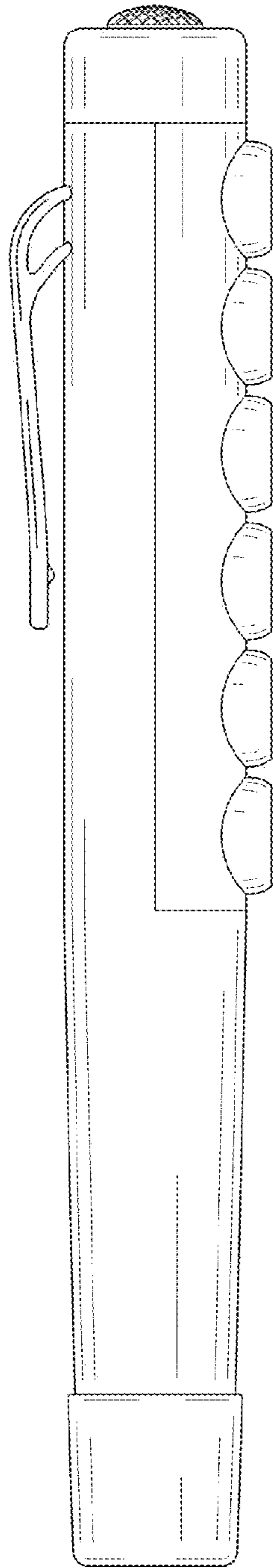


FIG. 11

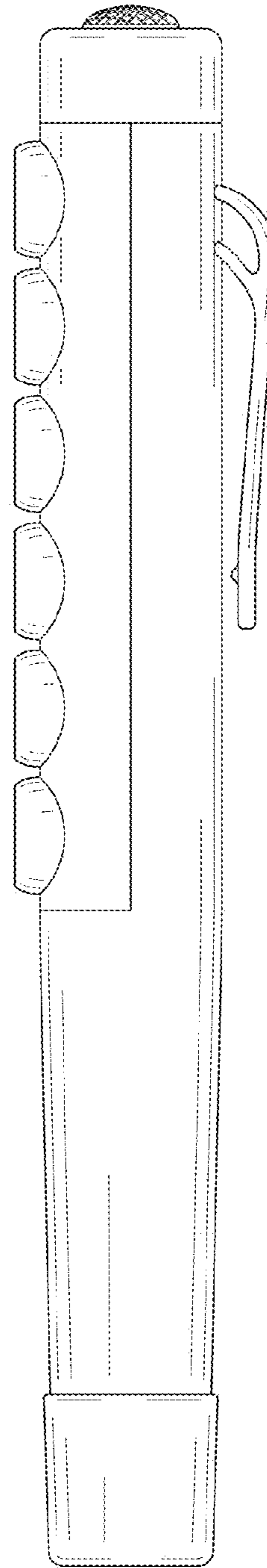


FIG. 12

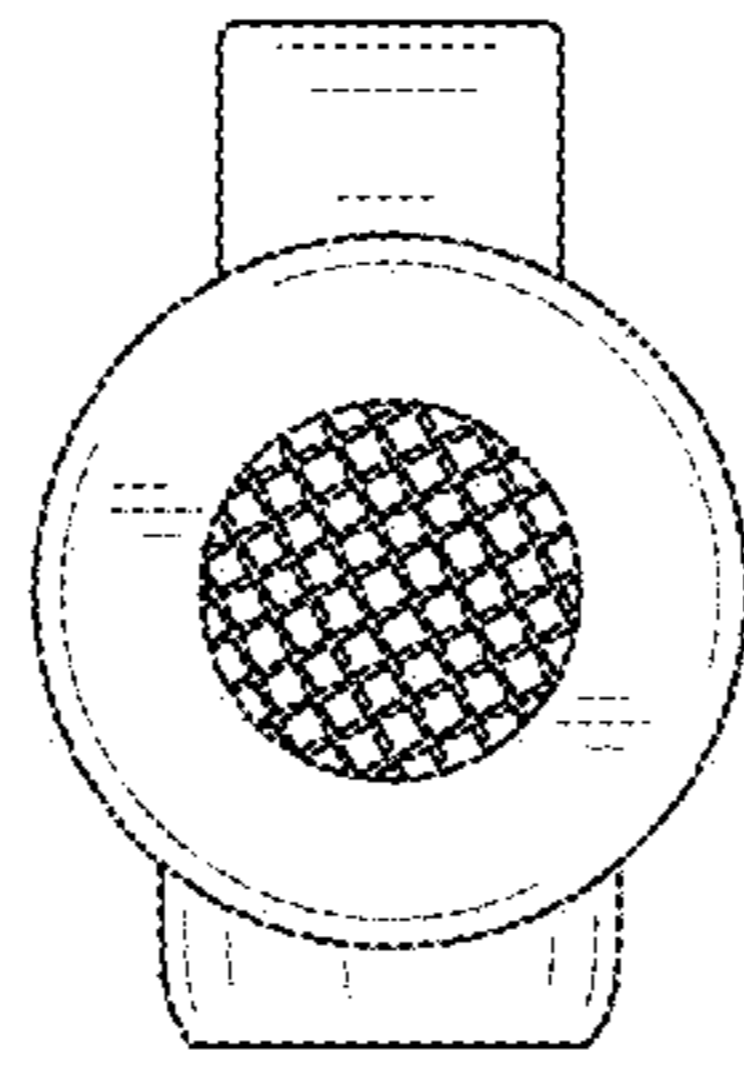


FIG. 13

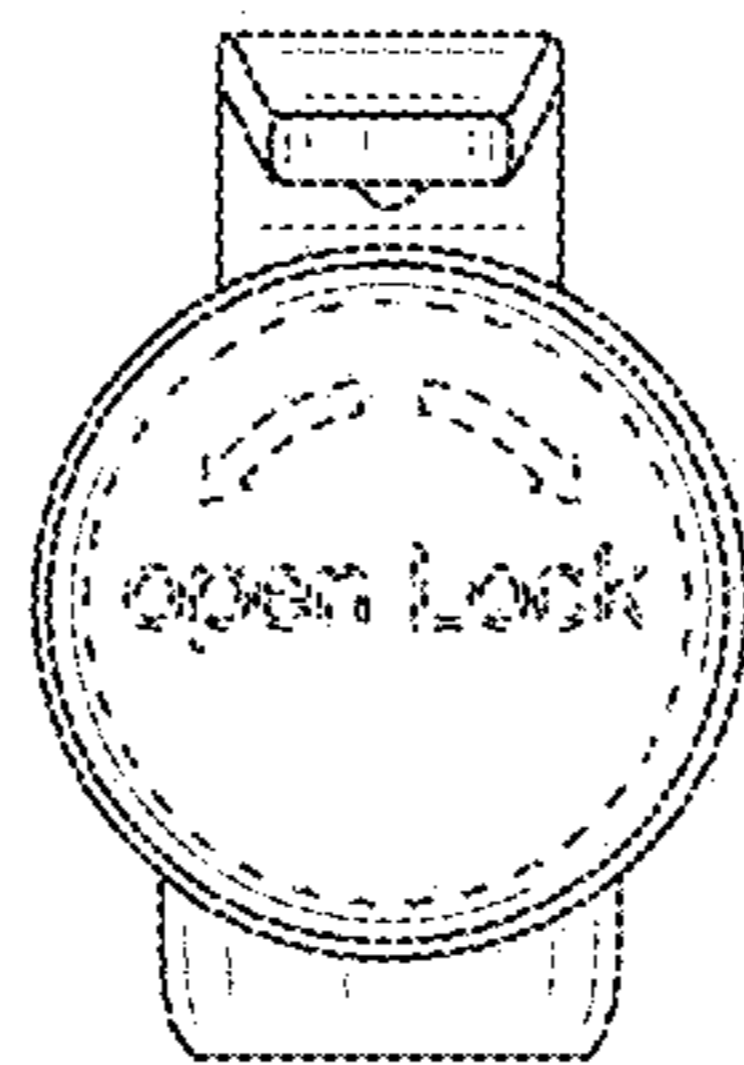


FIG. 14