



US00D724245S

(12) **United States Design Patent**
Clifford

(10) **Patent No.:** **US D724,245 S**
(45) **Date of Patent:** **** Mar. 10, 2015**

(54) **LED WHIP LIGHT**

(71) Applicant: **Checkers Industrial Products, LLC,**
Broomfield, CO (US)

(72) Inventor: **Scott Clifford,** Mesa, AZ (US)

(73) Assignee: **Checkers Industrial Products, LLC,**
Broomfield, CO (US)

(**) Term: **14 Years**

(21) Appl. No.: **29/432,969**

(22) Filed: **Sep. 24, 2012**

(51) **LOC (10) Cl.** **26-04**

(52) **U.S. Cl.**
USPC **D26/37**

(58) **Field of Classification Search**
CPC F21Y 2105/001; F21V 21/0885; F21V
21/0965; F21V 33/00
USPC D26/37, 41; D30/156; 81/177.1, 489;
362/109, 119, 253; 231/2.1, 3, 4, 5, 6
See application file for complete search history.

(56) **References Cited**

U.S. PATENT DOCUMENTS

| | | | | | |
|------------|---|---------|---------|-------|---------|
| D416,652 S | * | 11/1999 | Martin | | D30/156 |
| D593,716 S | * | 6/2009 | Strauss | | D30/156 |
| D626,671 S | * | 11/2010 | Bertken | | D26/37 |
| D648,466 S | * | 11/2011 | Hickman | | D26/42 |
| D658,322 S | * | 4/2012 | Wu | | D26/37 |

* cited by examiner

Primary Examiner — Brian N Vinson
(74) *Attorney, Agent, or Firm* — Holland & Hart

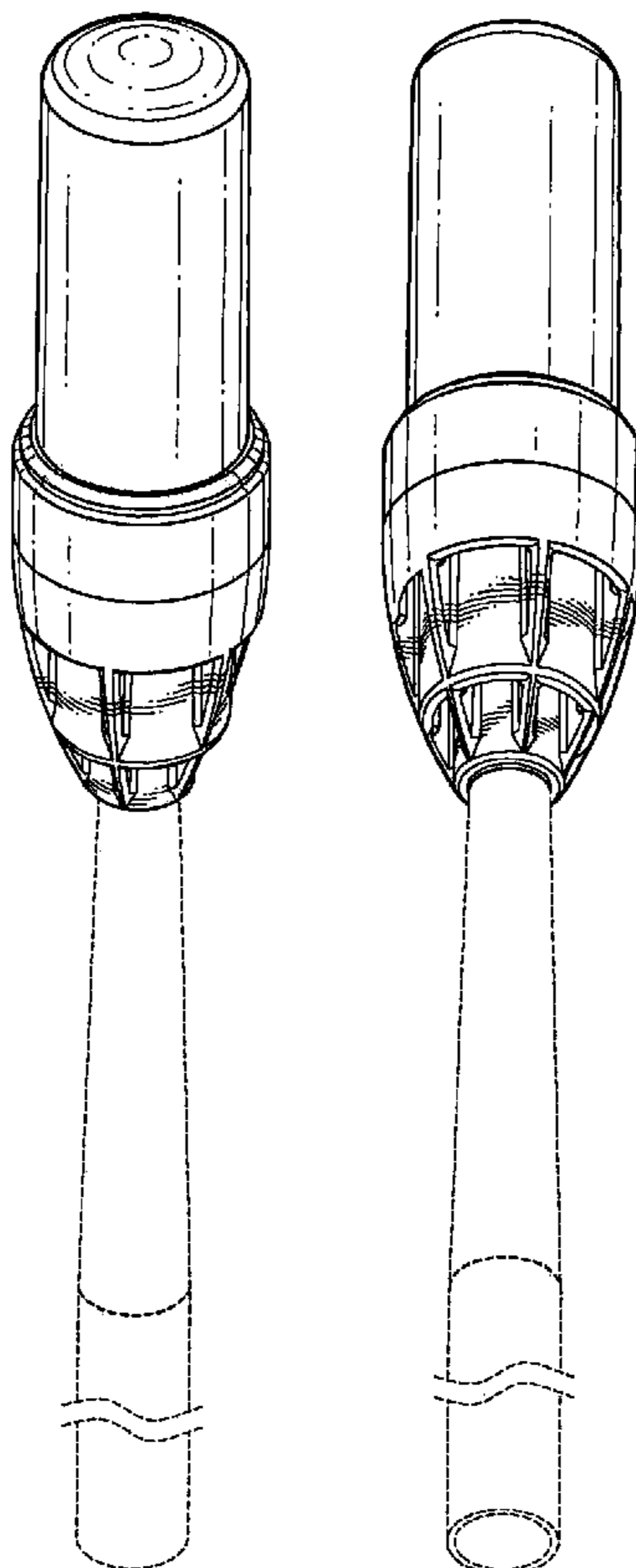
(57) **CLAIM**

The ornamental design for an LED whip light, as shown and described.

DESCRIPTION

FIG. 1 is a perspective view of an LED whip light in accordance with the present disclosure;
FIG. 2 is another perspective view thereof;
FIG. 3 is a front view thereof, the rear view being a mirror image of the front view;
FIG. 4 is a right side view thereof, the left side view being a mirror image of the right side view;
FIG. 5 is a top view thereof;
FIG. 6 is a bottom view thereof; and,
FIG. 7 is an exploded perspective view thereof.
The broken lines shown in the drawings are for illustrative purposes only and form no part of the claimed design.

1 Claim, 3 Drawing Sheets



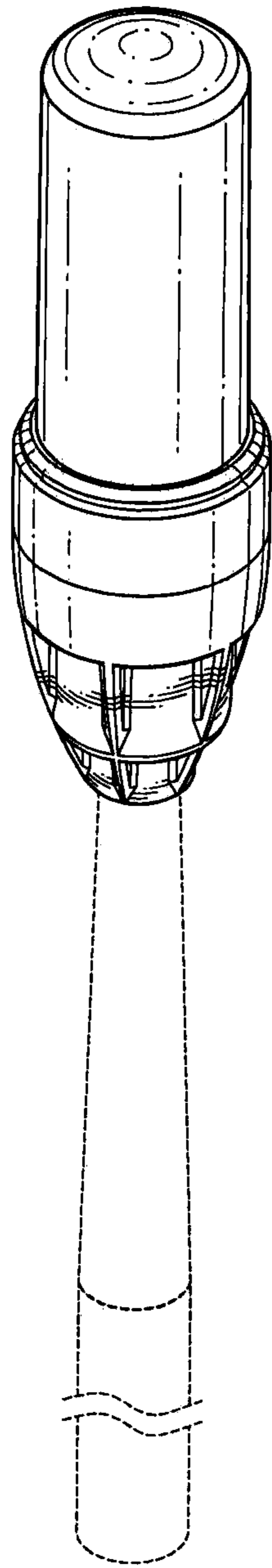


FIG. 1

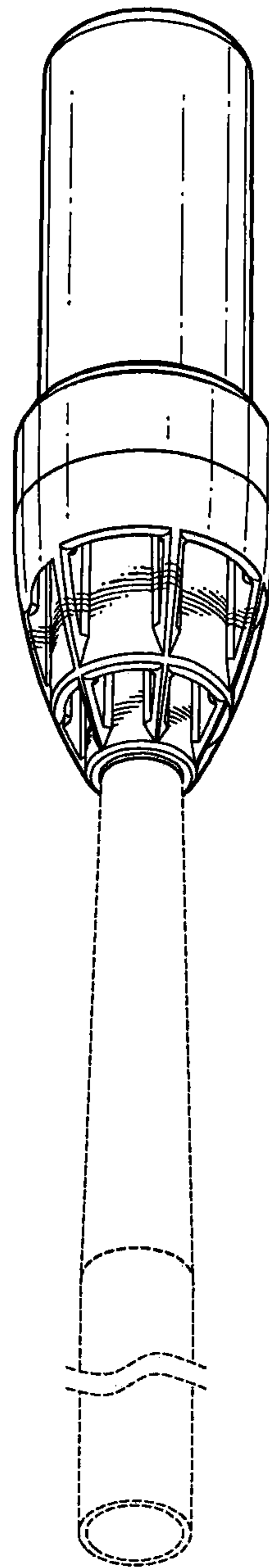


FIG. 2

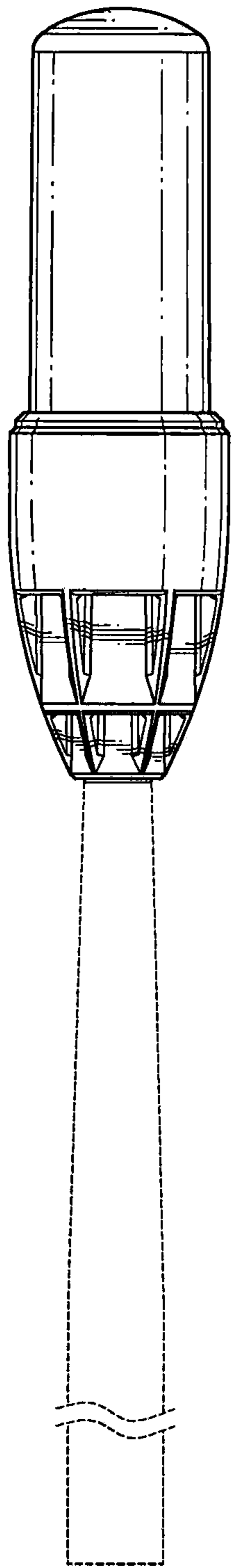


FIG. 3

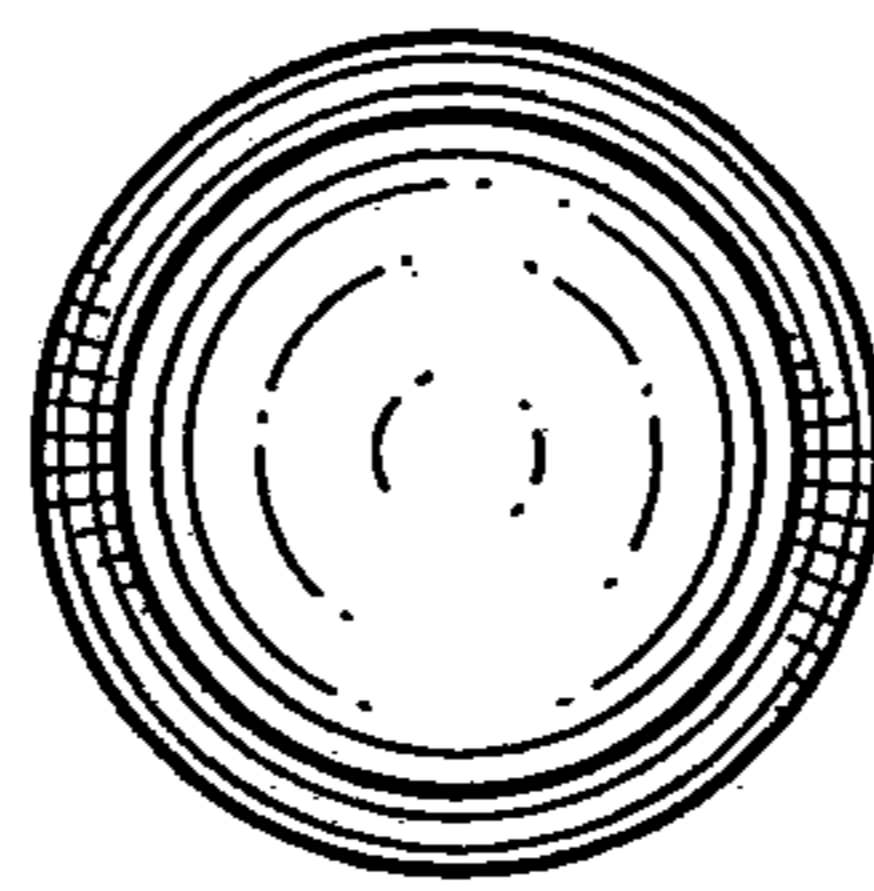


FIG. 5

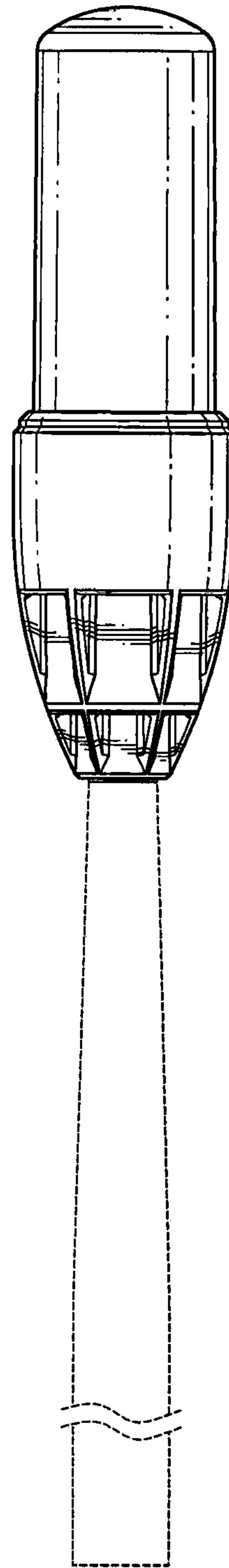


FIG. 4

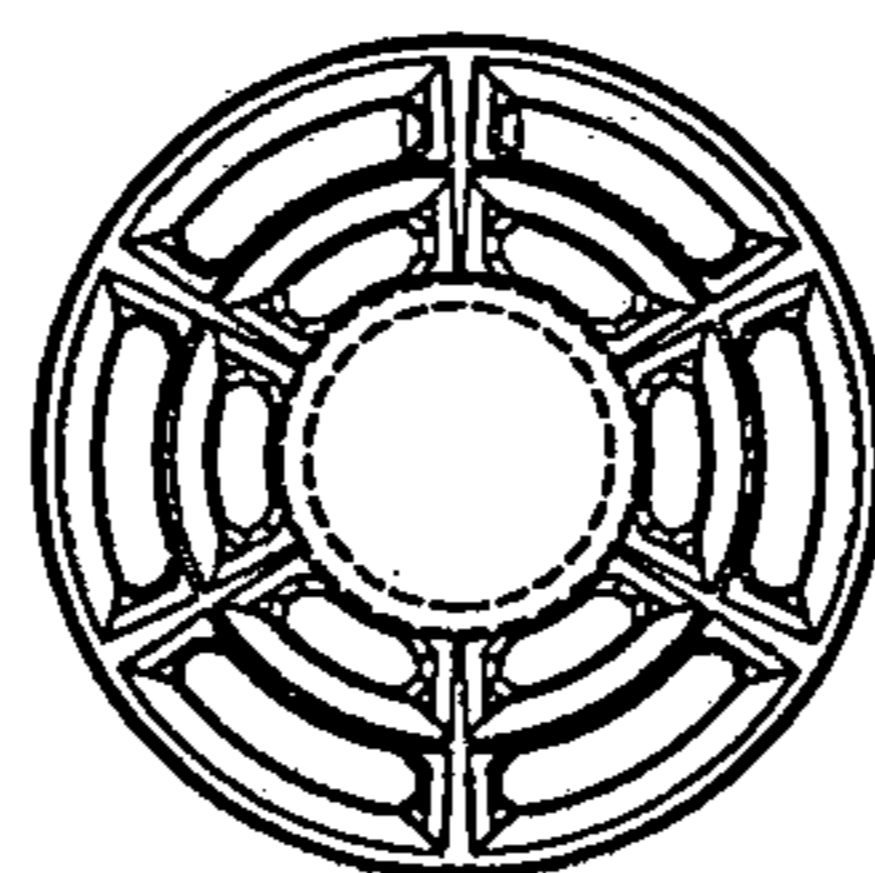


FIG. 6

