



US00D724244S

(12) **United States Design Patent**  
**Hayez et al.**

(10) **Patent No.:** **US D724,244 S**  
(45) **Date of Patent:** **\*\* Mar. 10, 2015**

(54) **VEHICLE LAMP**

(71) Applicant: **Valeo Vision**, Bobigny Cedex (FR)

(72) Inventors: **Frederic Hayez**, Haveluy (FR); **Remi Maliar**, Saint Saulve (FR); **Cyril Herbin**, Potelle (FR); **Benony Grigorescu**, Waterloo (BE)

(73) Assignee: **Valeo Vision**, Bobigny (FR)

(\*\*) Term: **14 Years**

(21) Appl. No.: **29/467,563**

(22) Filed: **Sep. 20, 2013**

(30) **Foreign Application Priority Data**

Mar. 21, 2013 (WO) ..... DM/080 432

(51) **LOC (10) Cl.** ..... **26-06**

(52) **U.S. Cl.**  
USPC ..... **D26/28**

(58) **Field of Classification Search**  
USPC ..... D26/28-36; 362/459-468, 475-478,  
362/485-487  
See application file for complete search history.

(56) **References Cited**

**U.S. PATENT DOCUMENTS**

D550,380 S \* 9/2007 Lin ..... D26/28  
D560,291 S \* 1/2008 Koyama ..... D26/28

D560,832 S \* 1/2008 Hsu ..... D26/28  
D561,358 S \* 2/2008 Tachibana ..... D26/28  
D561,359 S \* 2/2008 Hsu ..... D26/28  
D563,576 S \* 3/2008 Hanaoka ..... D26/28  
D569,533 S \* 5/2008 Hsu ..... D26/28  
D570,007 S \* 5/2008 Hsu ..... D26/28  
D593,232 S \* 5/2009 Koman et al. .... D26/28  
D690,853 S \* 10/2013 Huang ..... D26/28

\* cited by examiner

*Primary Examiner* — Marcus Jackson

(74) *Attorney, Agent, or Firm* — Oblon, McClelland, Maier & Neustadt, L.L.P.

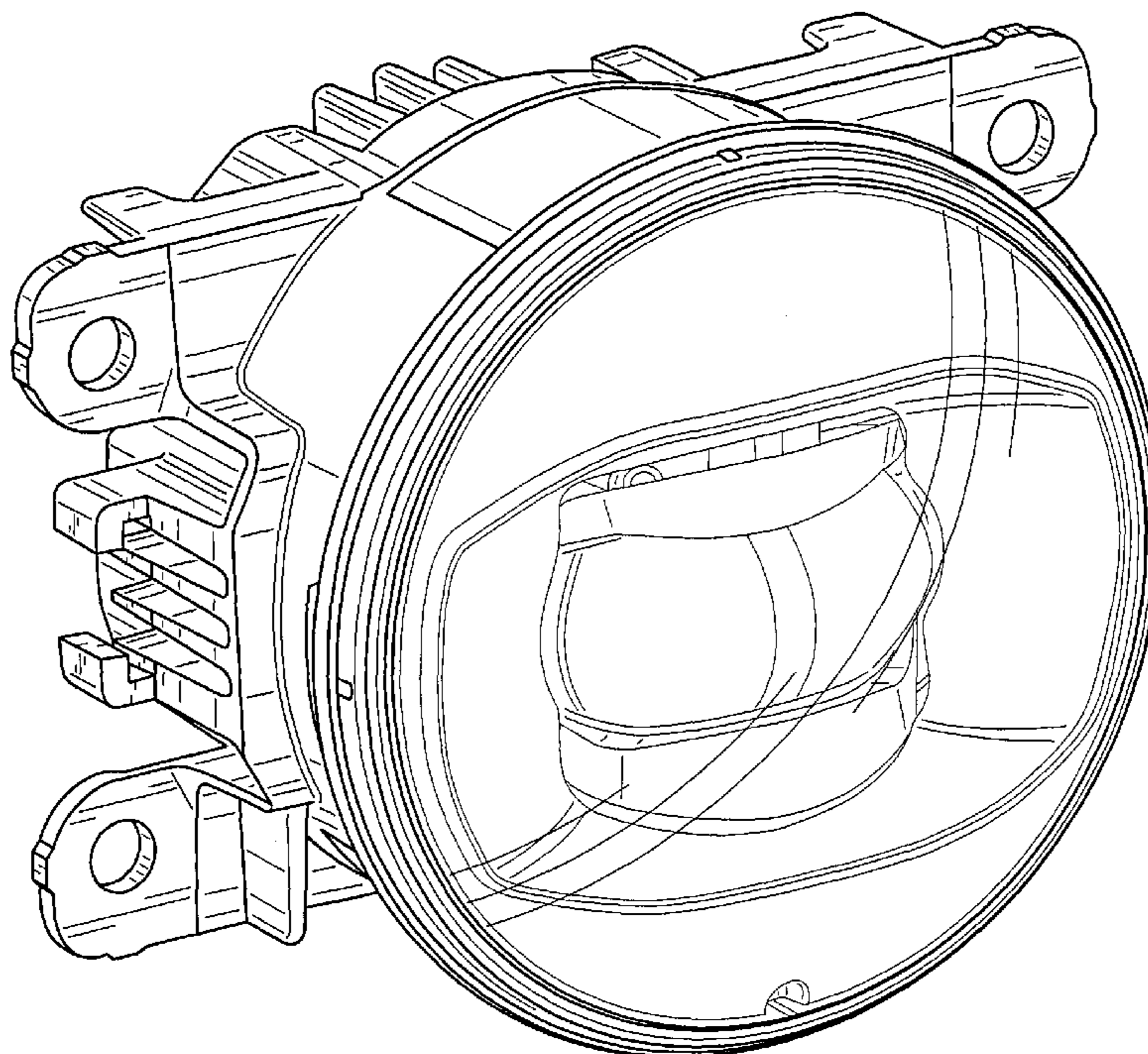
(57) **CLAIM**

The ornamental design for a vehicle lamp, as shown and described.

**DESCRIPTION**

FIG. 1 is a front, top, and left side perspective view of a vehicle lamp;  
FIG. 2 is a front elevational view thereof;  
FIG. 3 is a rear elevational view thereof;  
FIG. 4 is a top plan view thereof;  
FIG. 5 is a bottom plan view thereof;  
FIG. 6 is a right side elevational view thereof; and,  
FIG. 7 is a left side elevational view thereof.  
The broken lines in the drawings depict environmental subject matter only and form no part of the claimed design.

**1 Claim, 7 Drawing Sheets**



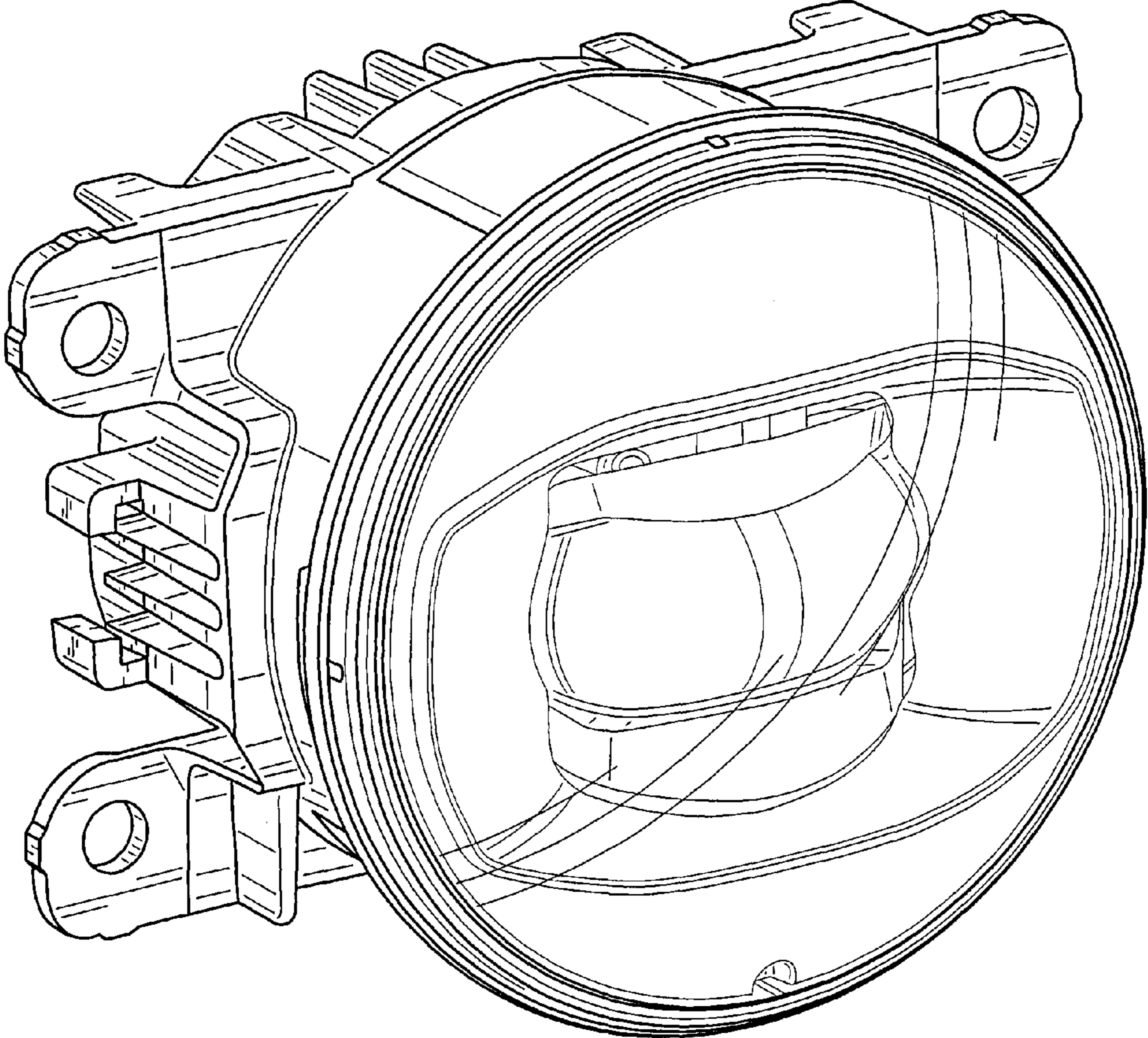


FIG. 1

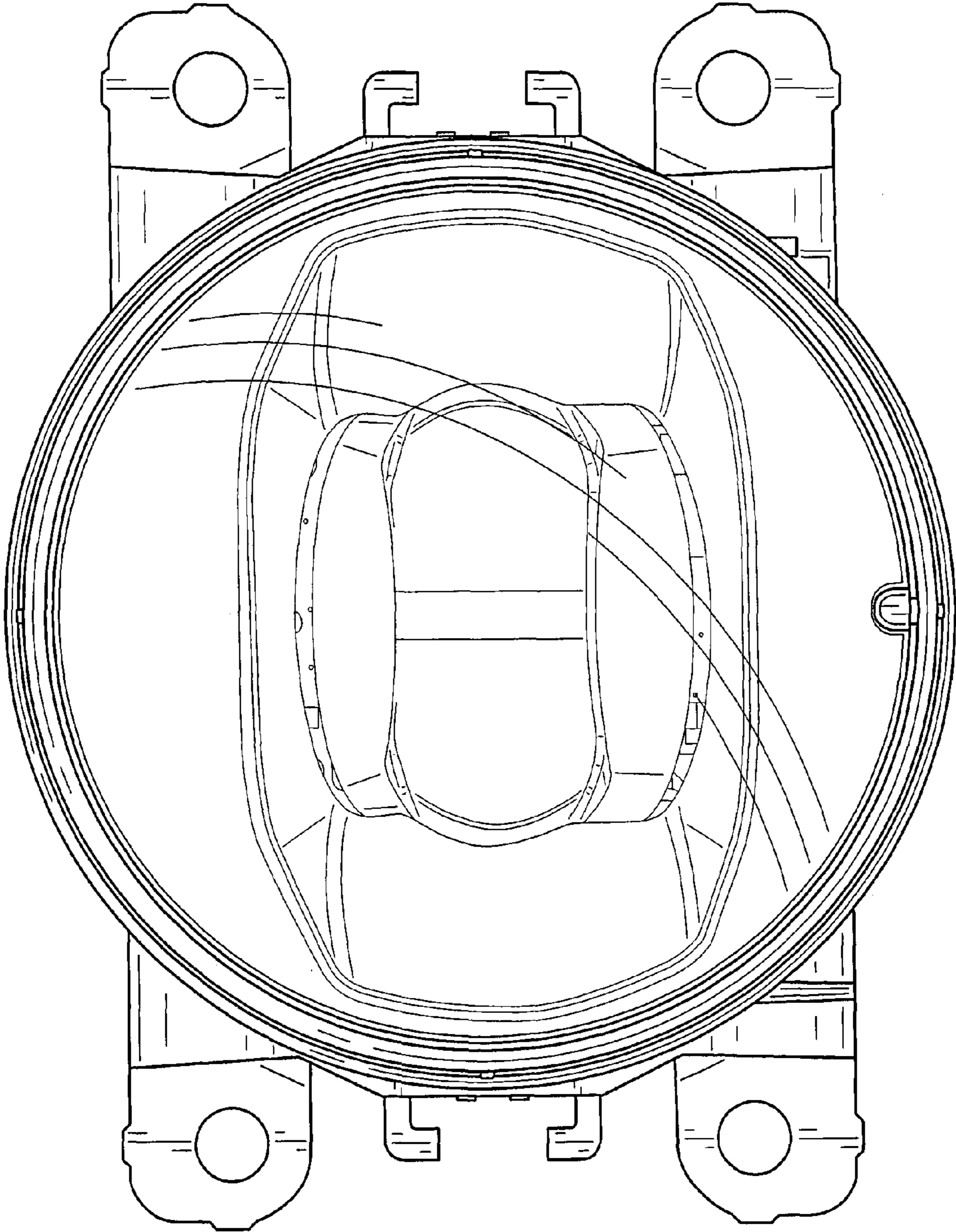


FIG. 2



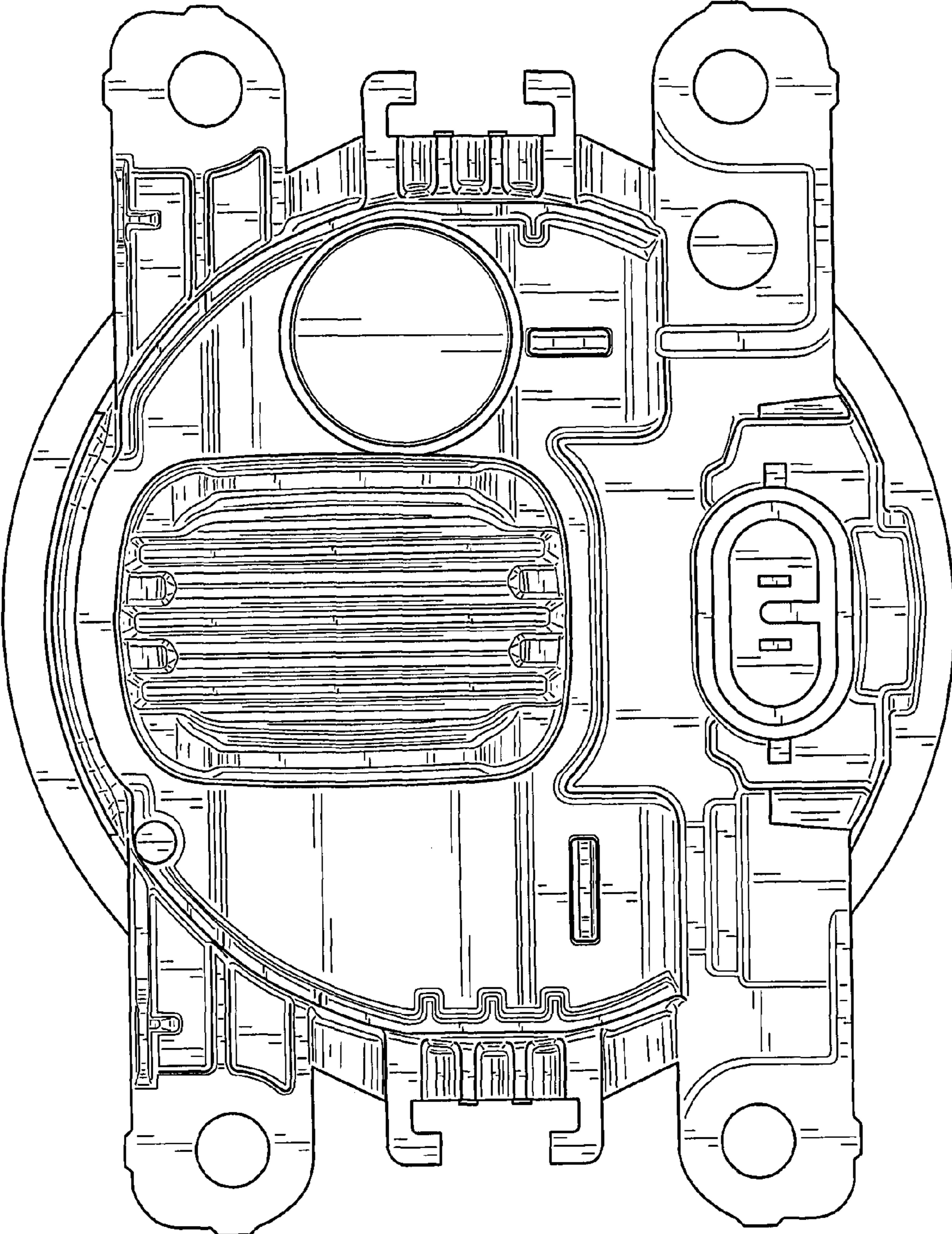


FIG. 3

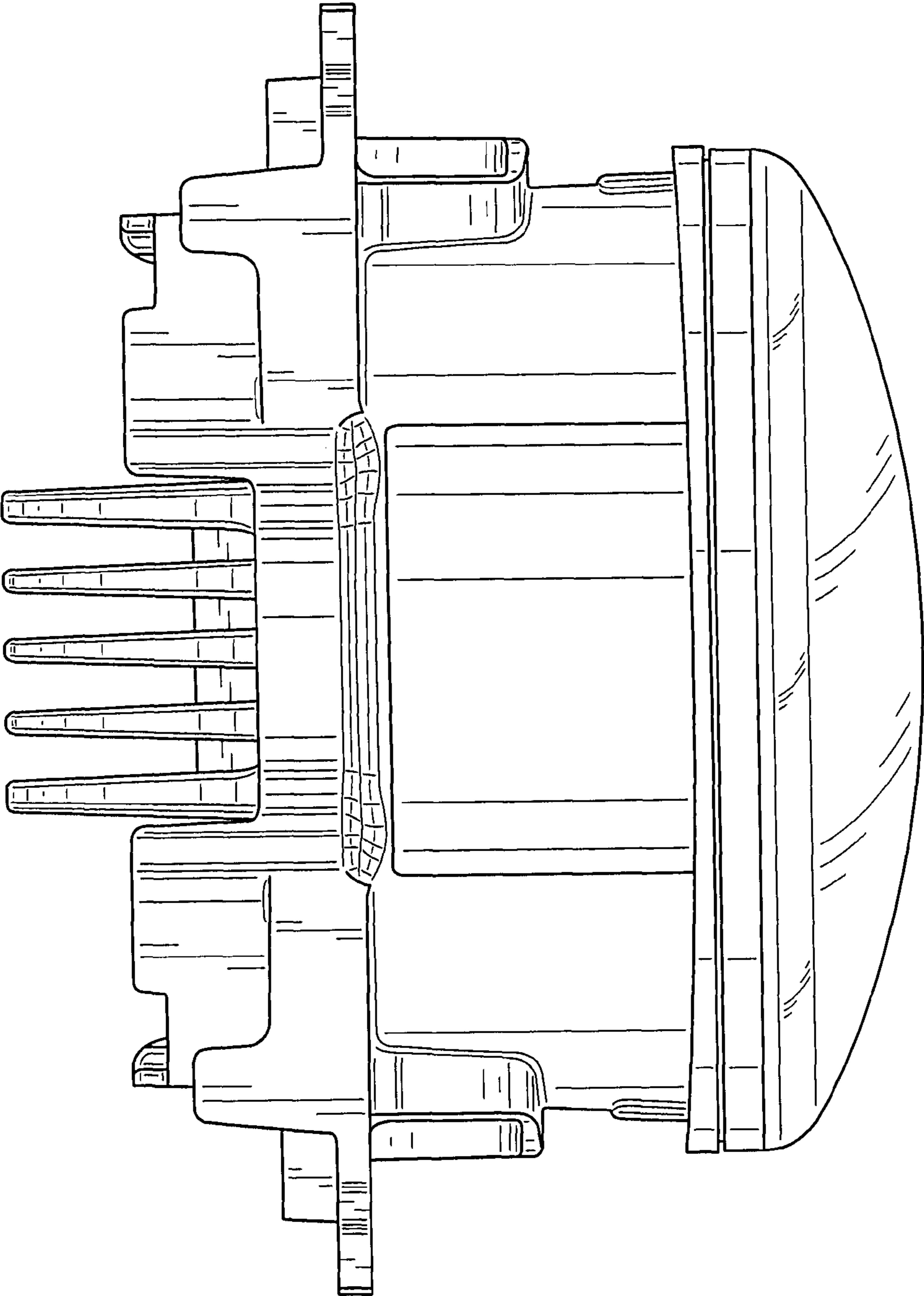


FIG. 4

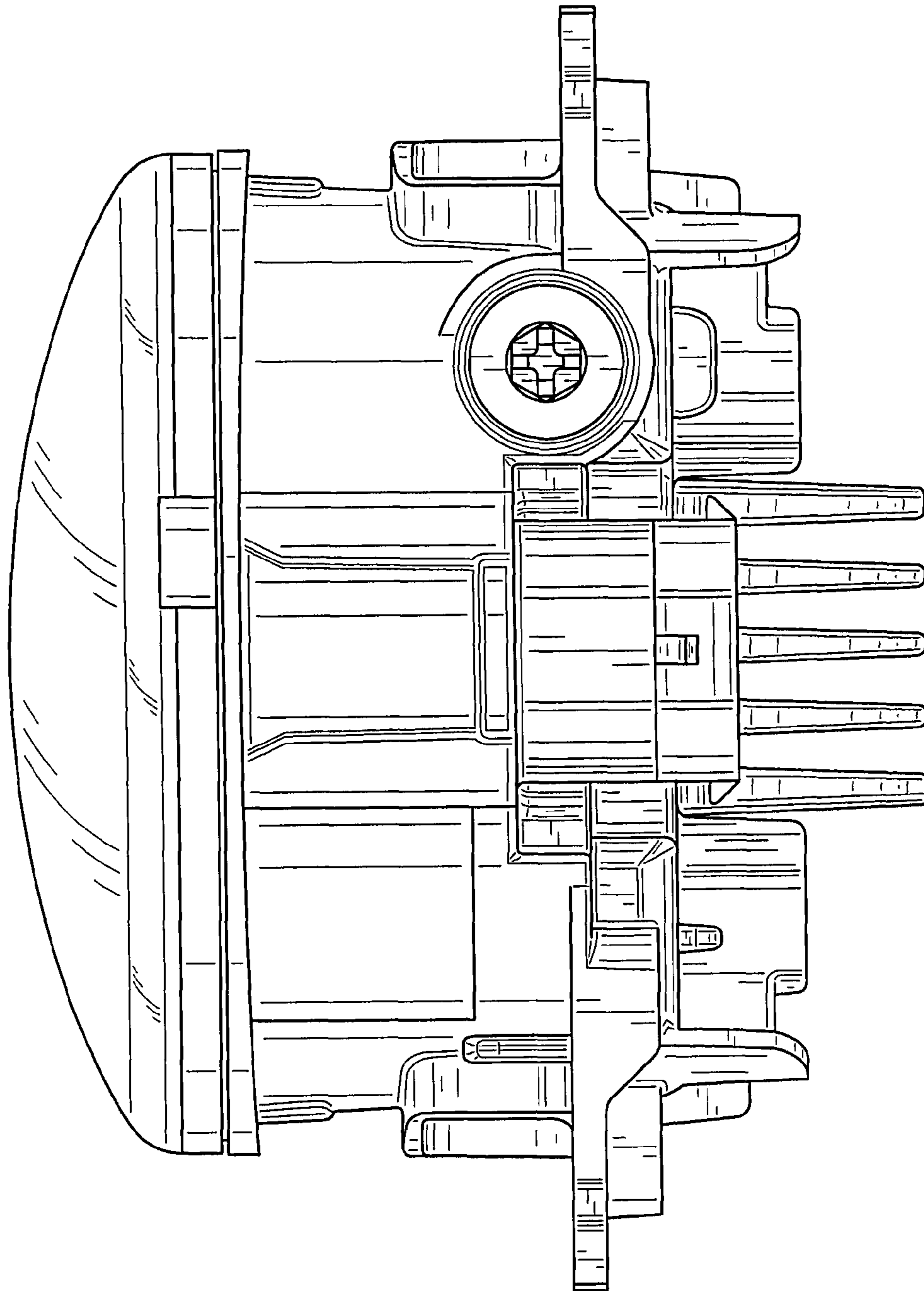


FIG. 5

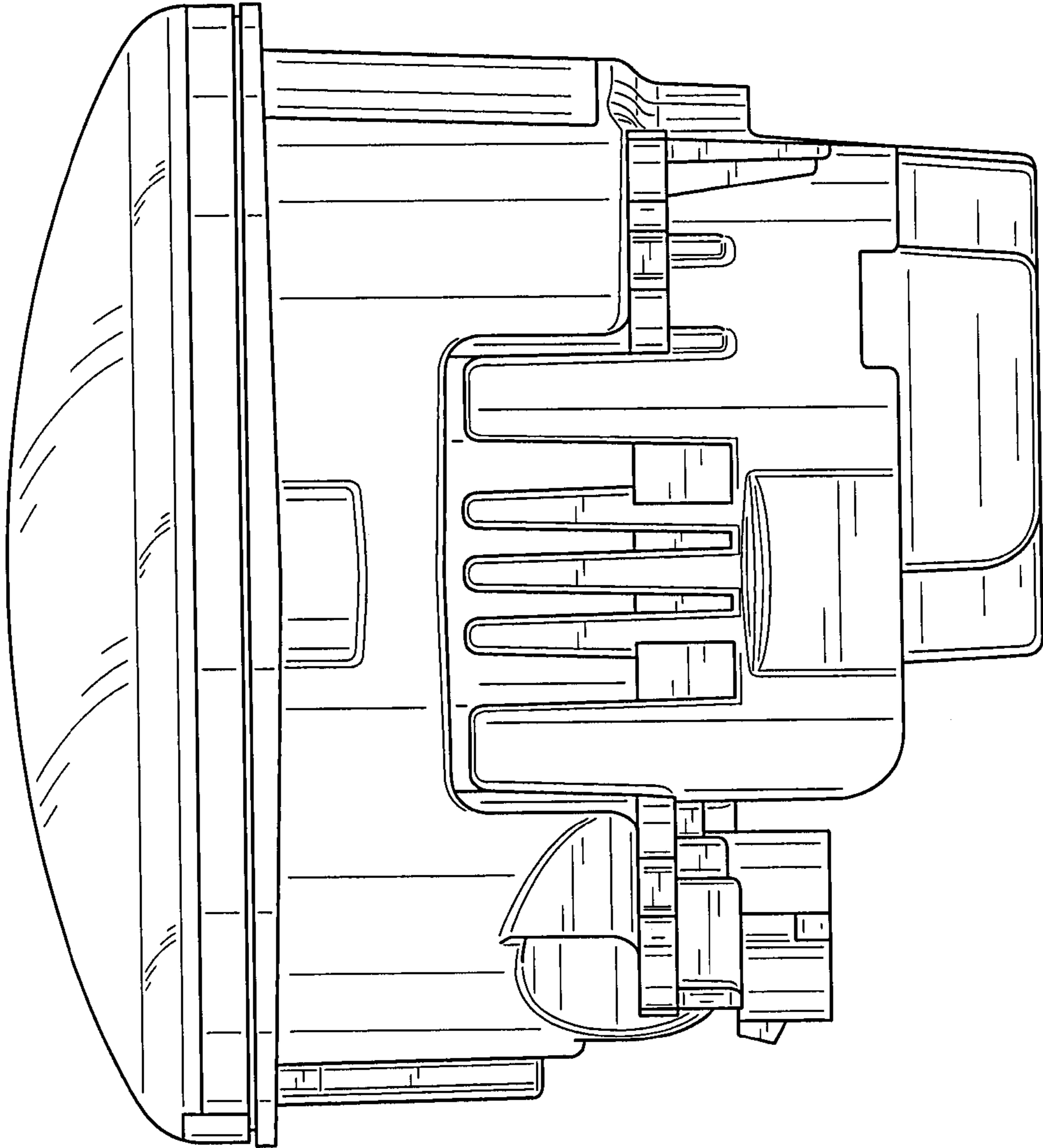


FIG. 6

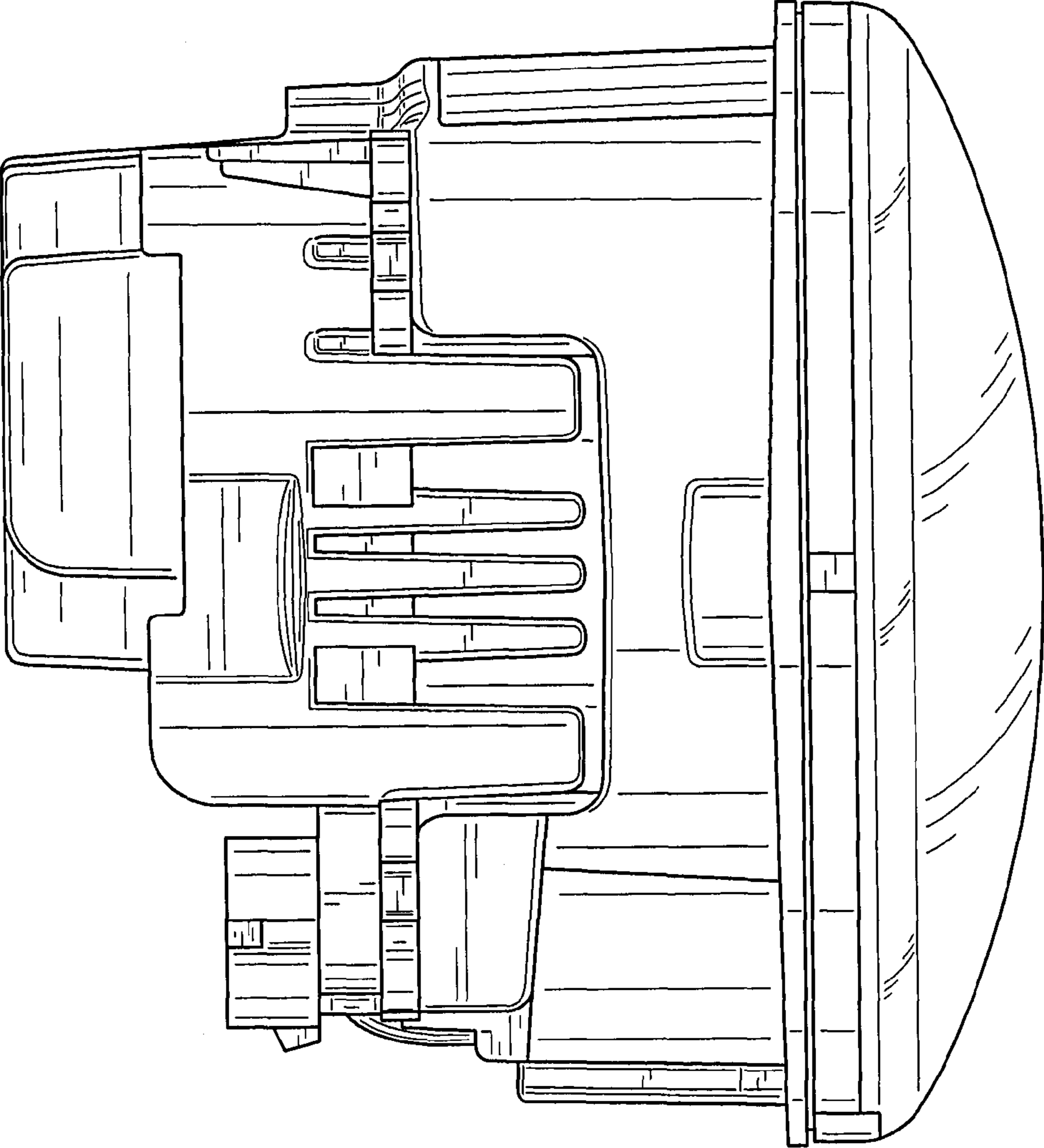


FIG. 7