



US00D724241S

(12) **United States Design Patent**
Huang

(10) **Patent No.:** **US D724,241 S**
(45) **Date of Patent:** **** Mar. 10, 2015**

(54) **PORTION OF A LAMP**

(71) Applicant: **Taiwan Fu Hsing Industrial Co., Ltd.**,
Kaohsiung (TW)

(72) Inventor: **Chih-Cheng Huang**, Kaohsiung (TW)

(73) Assignee: **Taiwan Fu Hsing Industrial Co., Ltd.**,
Gangshan District, Kaohsiung (TW)

(**) Term: **14 Years**

(21) Appl. No.: **29/452,970**

(22) Filed: **Apr. 24, 2013**

(30) **Foreign Application Priority Data**

Oct. 25, 2012 (TW) 101306275

(51) **LOC (10) CL.** **26-04**

(52) **U.S. CL.**
USPC **D26/2**

(58) **Field of Classification Search**
USPC D26/1-4; 313/313, 315, 316, 317, 318,
313/493; 315/52, 53, 56, 57, 58
See application file for complete search history.

(56) **References Cited**

U.S. PATENT DOCUMENTS

D516,229 S *	2/2006	Tang	D26/2
D527,119 S *	8/2006	Maxik et al.	D26/2
D528,227 S *	9/2006	Chou et al.	D26/2
D560,286 S *	1/2008	Maxik et al.	D26/2
D566,300 S *	4/2008	Lo	D26/2
D570,504 S *	6/2008	Maxik et al.	D26/2
D601,279 S *	9/2009	Ou et al.	D26/2

* cited by examiner

Primary Examiner — Marcus Jackson

(74) *Attorney, Agent, or Firm* — Winston Hsu; Scott Margo

(57) **CLAIM**

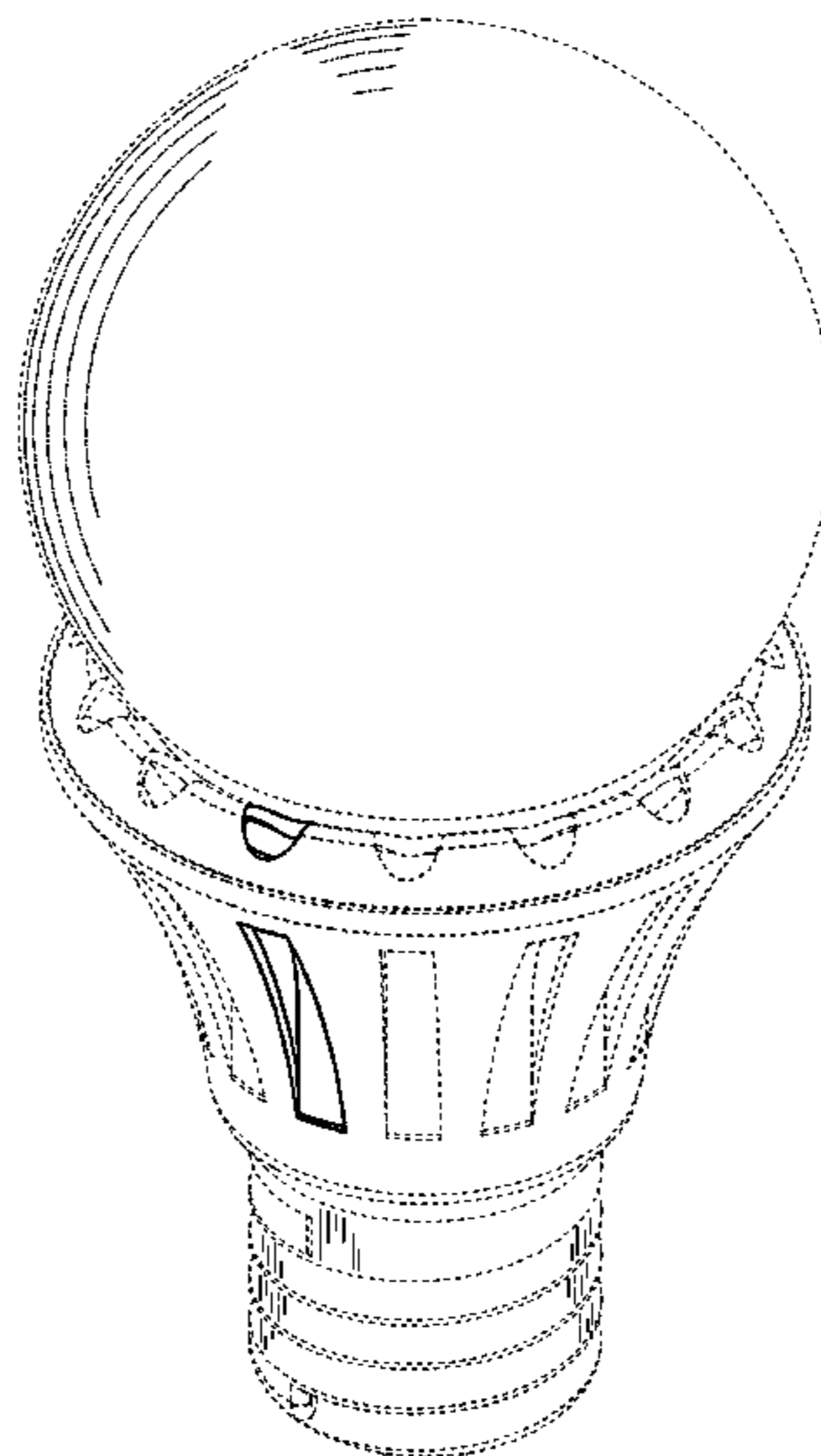
The ornamental design for a portion of a lamp, as shown and described.

DESCRIPTION

FIG. 1 is a perspective view of a portion of a lamp according to a first embodiment;
 FIG. 2 is a front view thereof according to the first embodiment;
 FIG. 3 is a rear view thereof according to the first embodiment;
 FIG. 4 is a left side elevational view thereof according to the first embodiment;
 FIG. 5 is a right side elevational view thereof according to the first embodiment;
 FIG. 6 is a top plan view thereof according to the first embodiment;
 FIG. 7 is a bottom plan view thereof according to the first embodiment;
 FIG. 8 is another perspective view thereof according to the first embodiment;
 FIG. 9 is a perspective view of a portion of a lamp according to a second embodiment;
 FIG. 10 is a front view thereof according to the second embodiment;
 FIG. 11 is a rear view thereof according to the second embodiment;
 FIG. 12 is a left side elevational view thereof according to the second embodiment;
 FIG. 13 is a right side elevational view thereof according to the second embodiment;
 FIG. 14 is a top plan view thereof according to the second embodiment;
 FIG. 15 is a bottom plan view thereof according to the second embodiment; and,
 FIG. 16 is another perspective view thereof according to the second embodiment.

The broken lines in the drawings are for illustrative purpose only, and form no part of the claimed design.

1 Claim, 16 Drawing Sheets



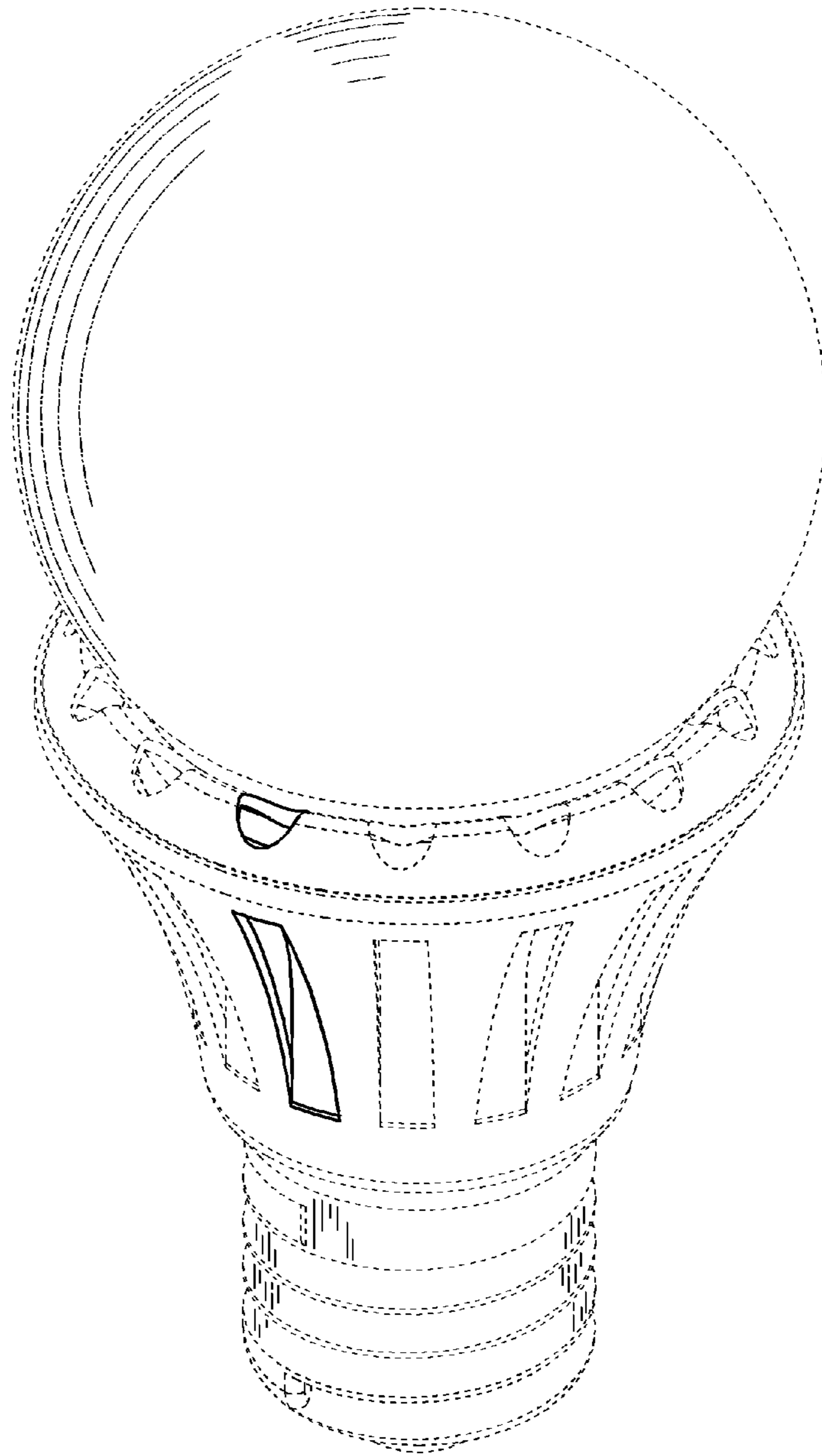


FIG. 1

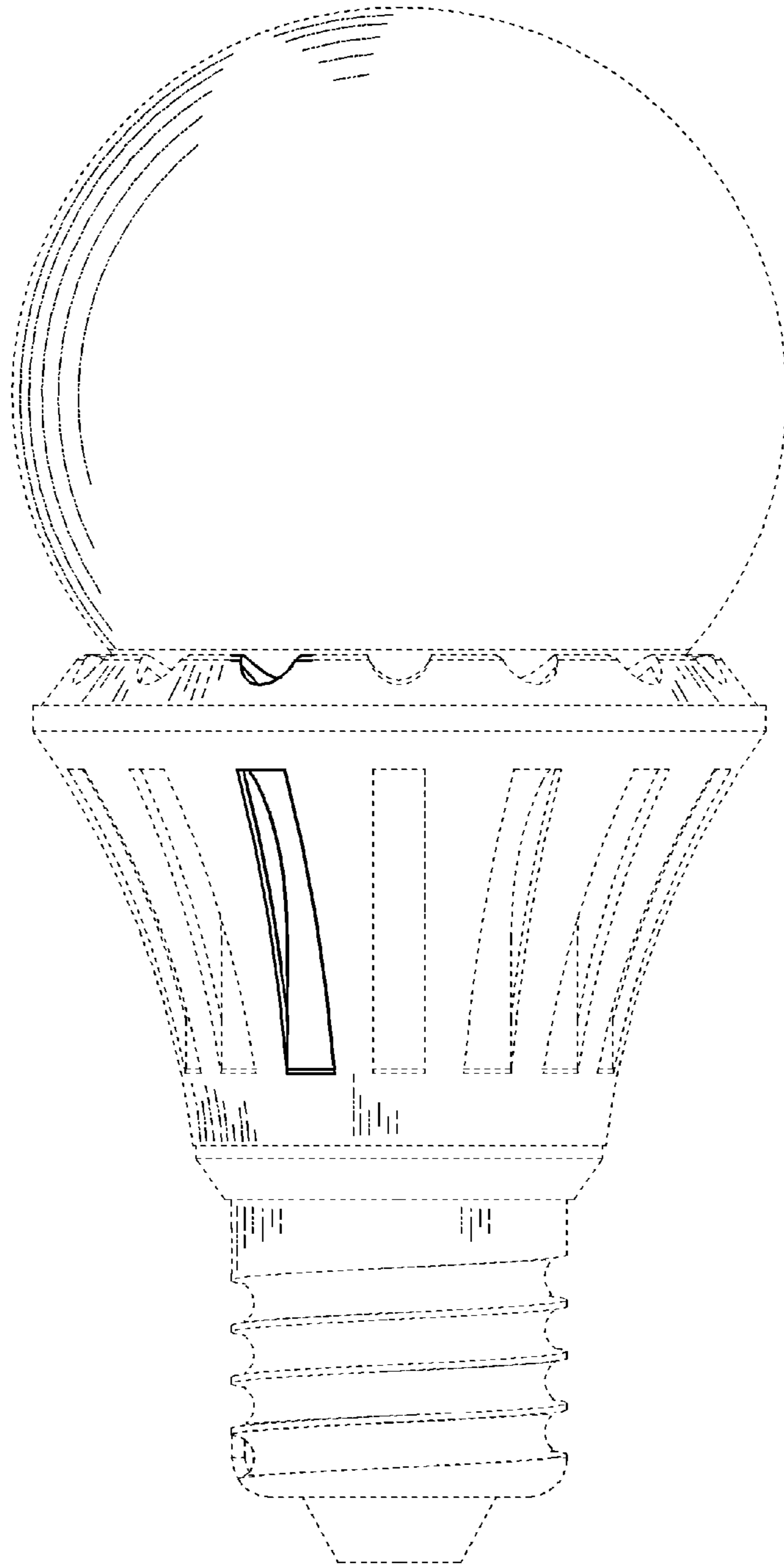


FIG. 2

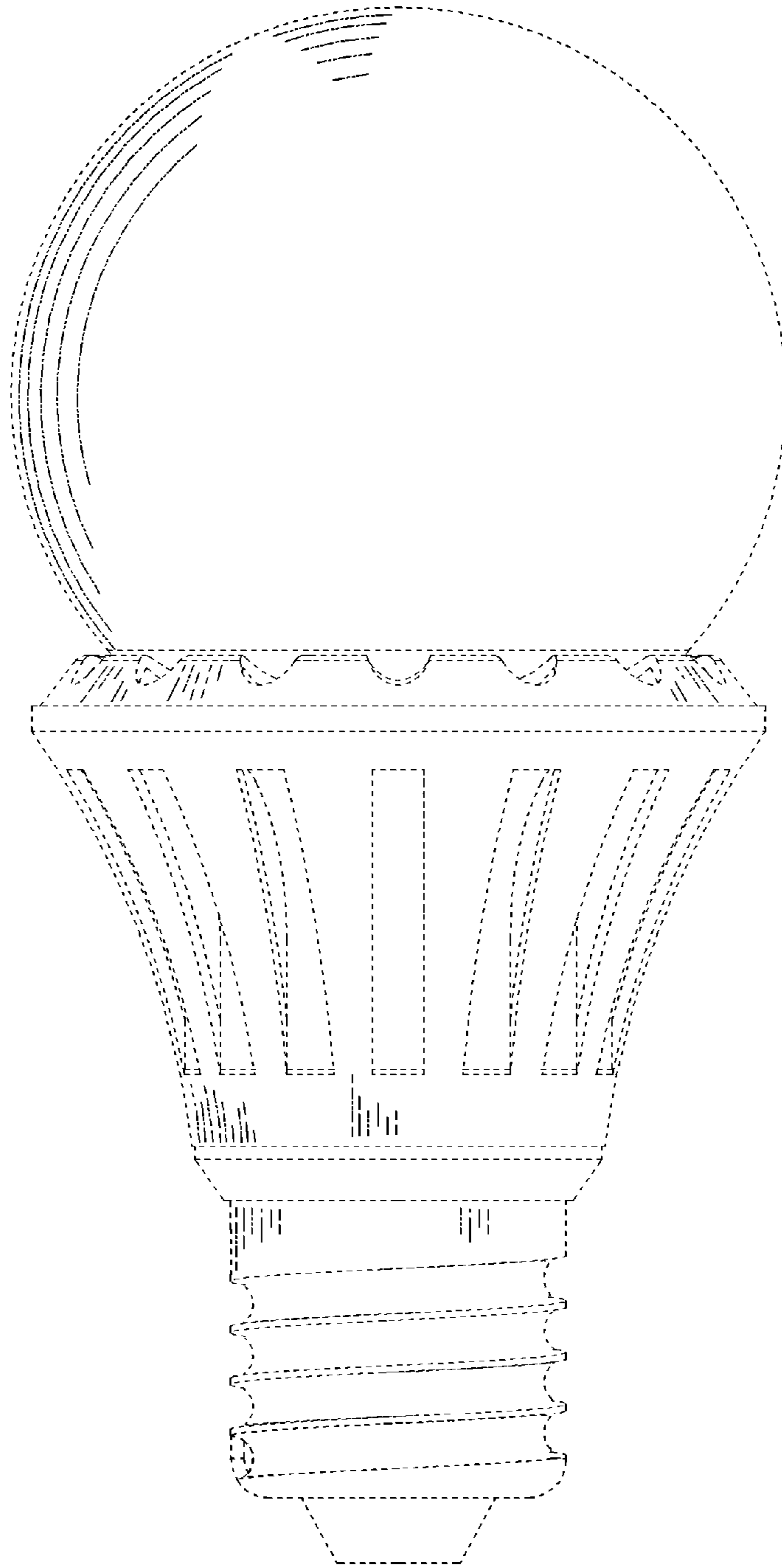


FIG. 3

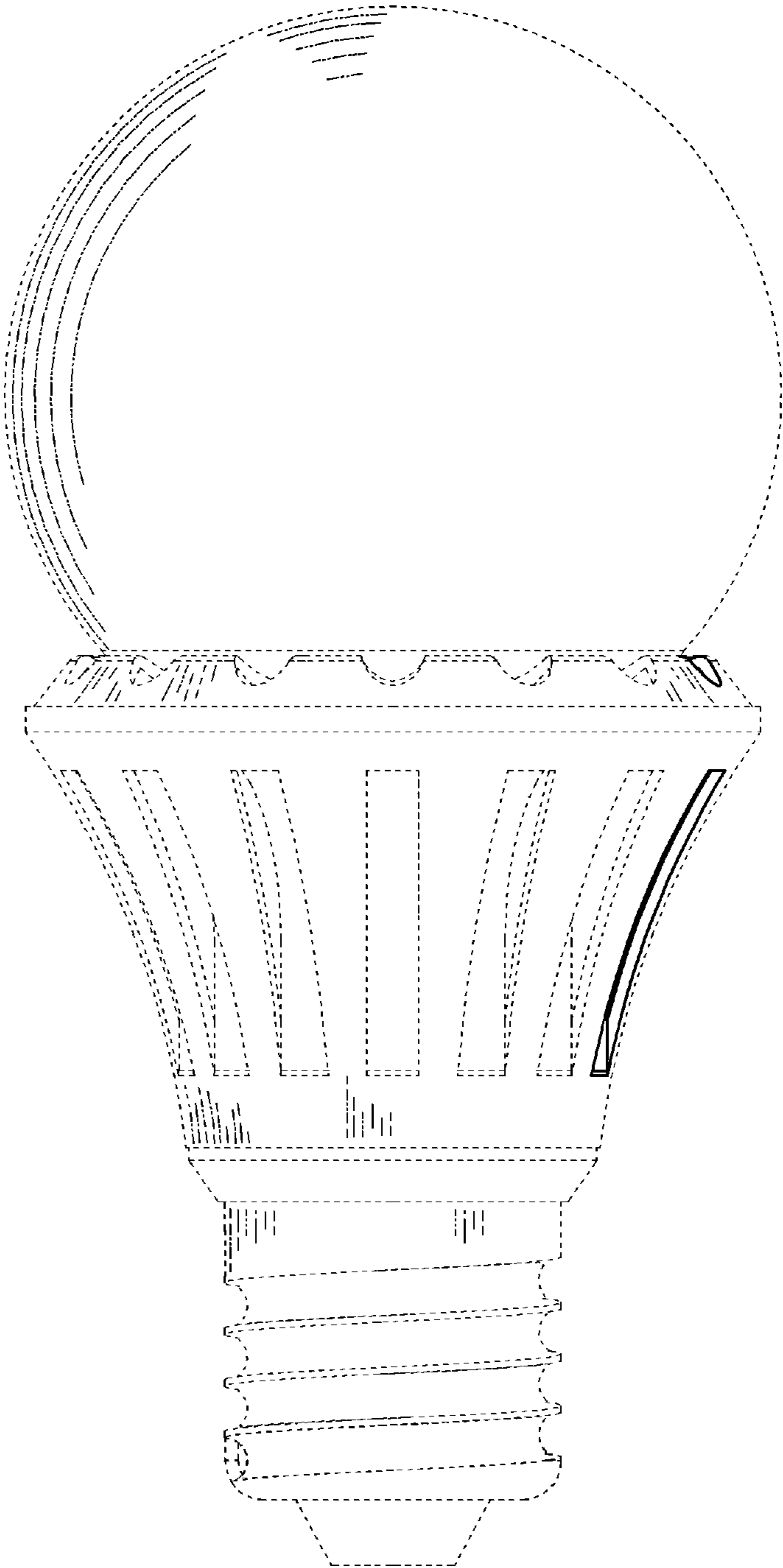


FIG. 4

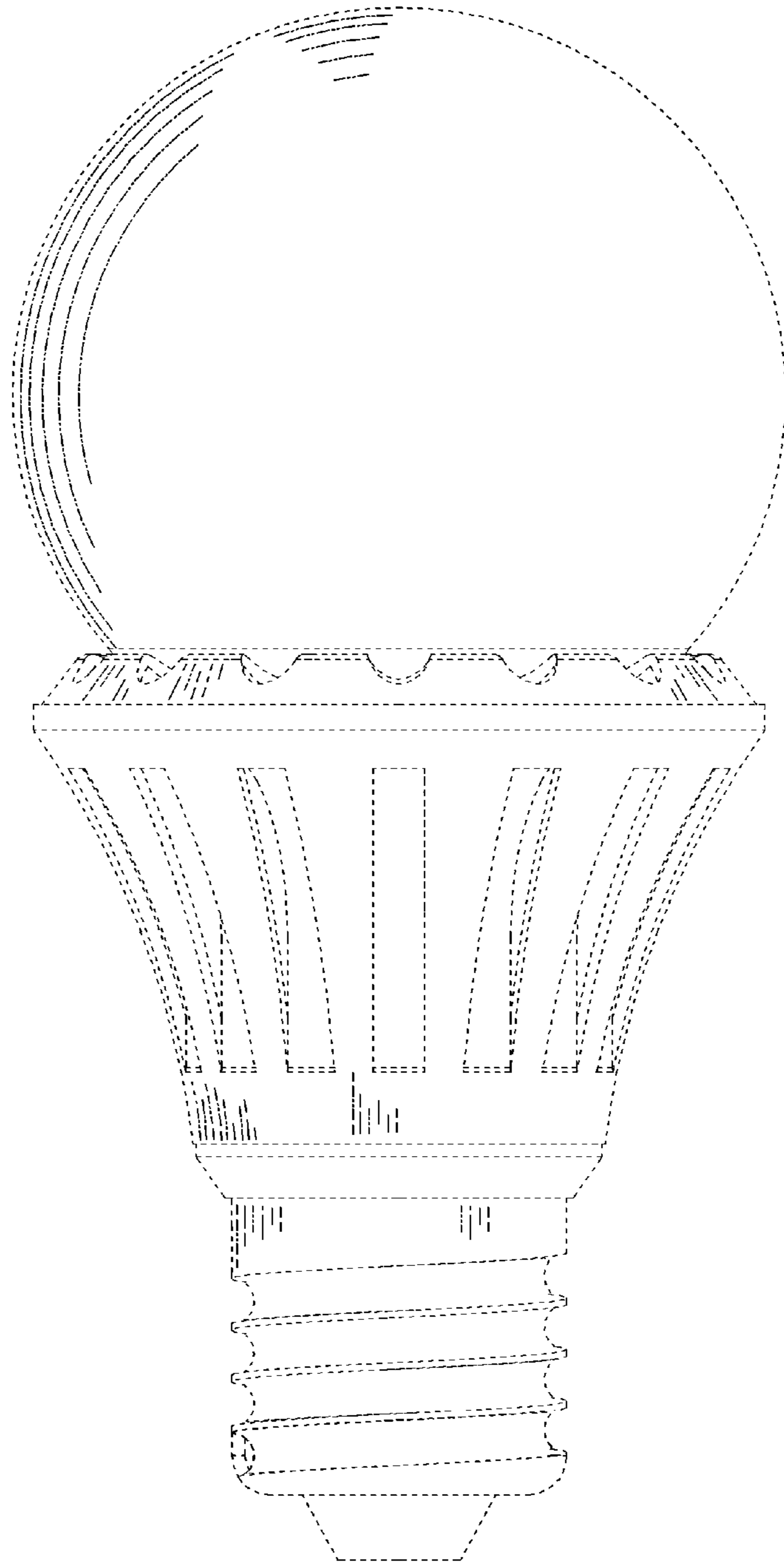


FIG. 5

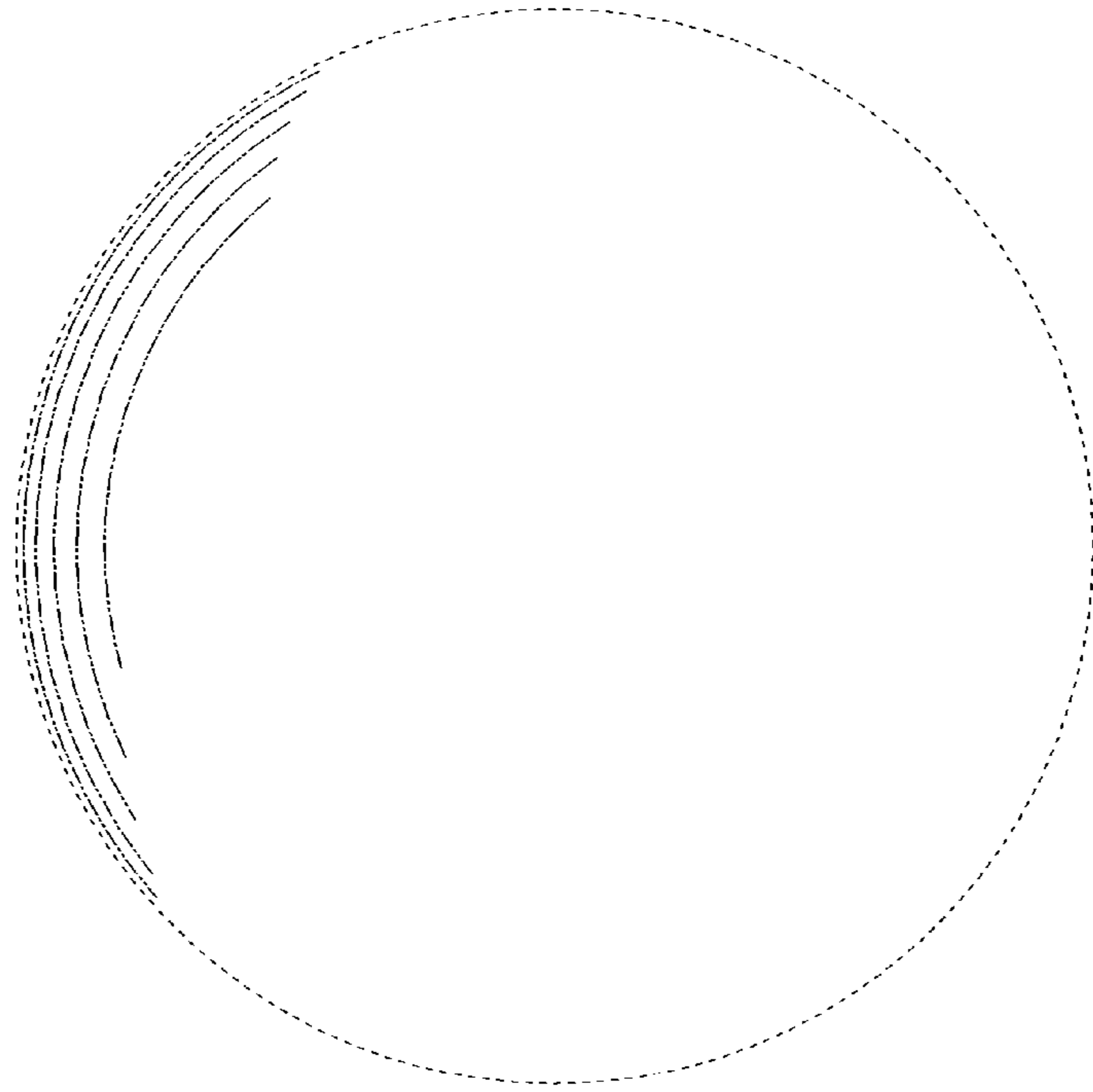


FIG. 6

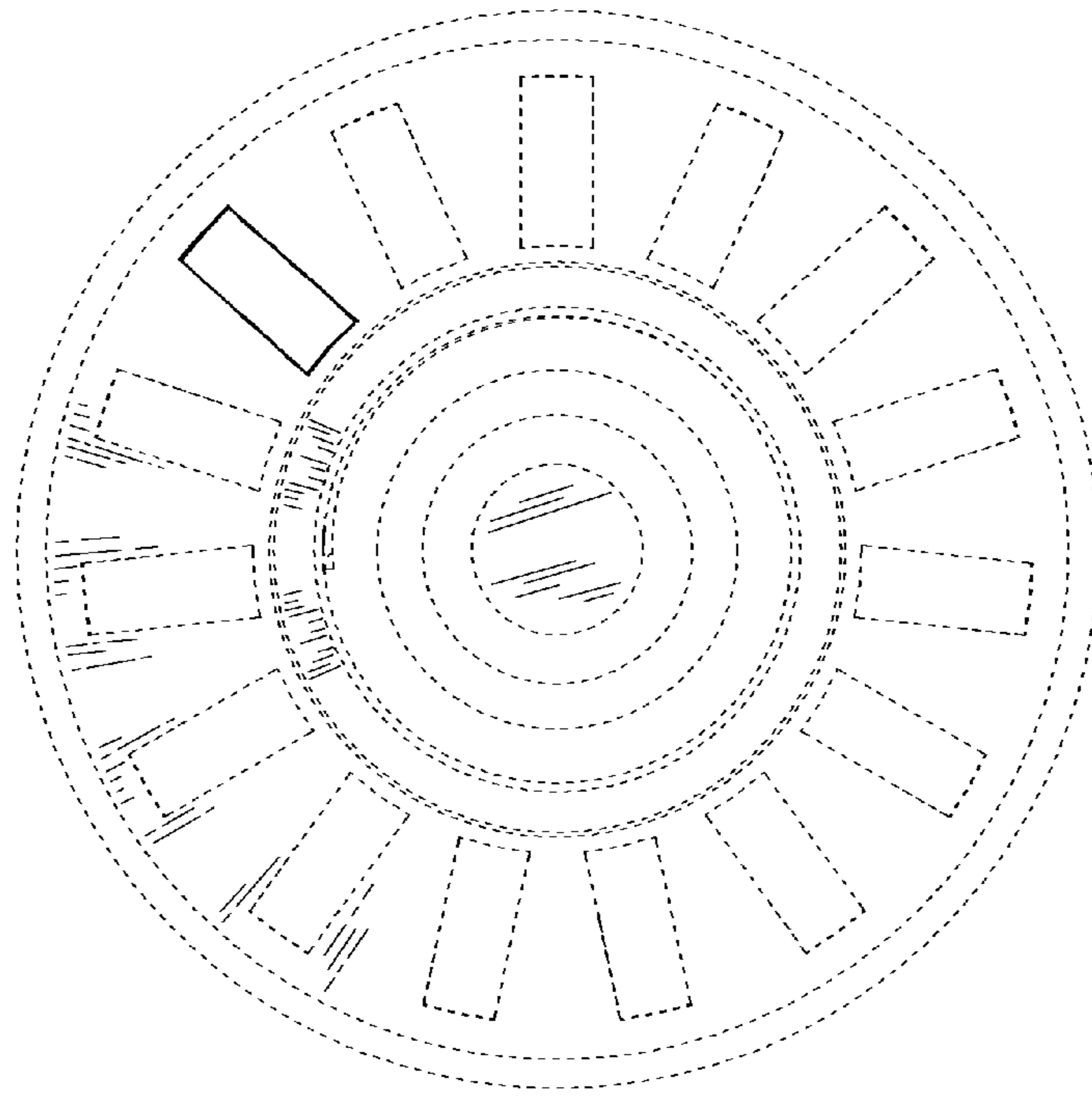


FIG. 7

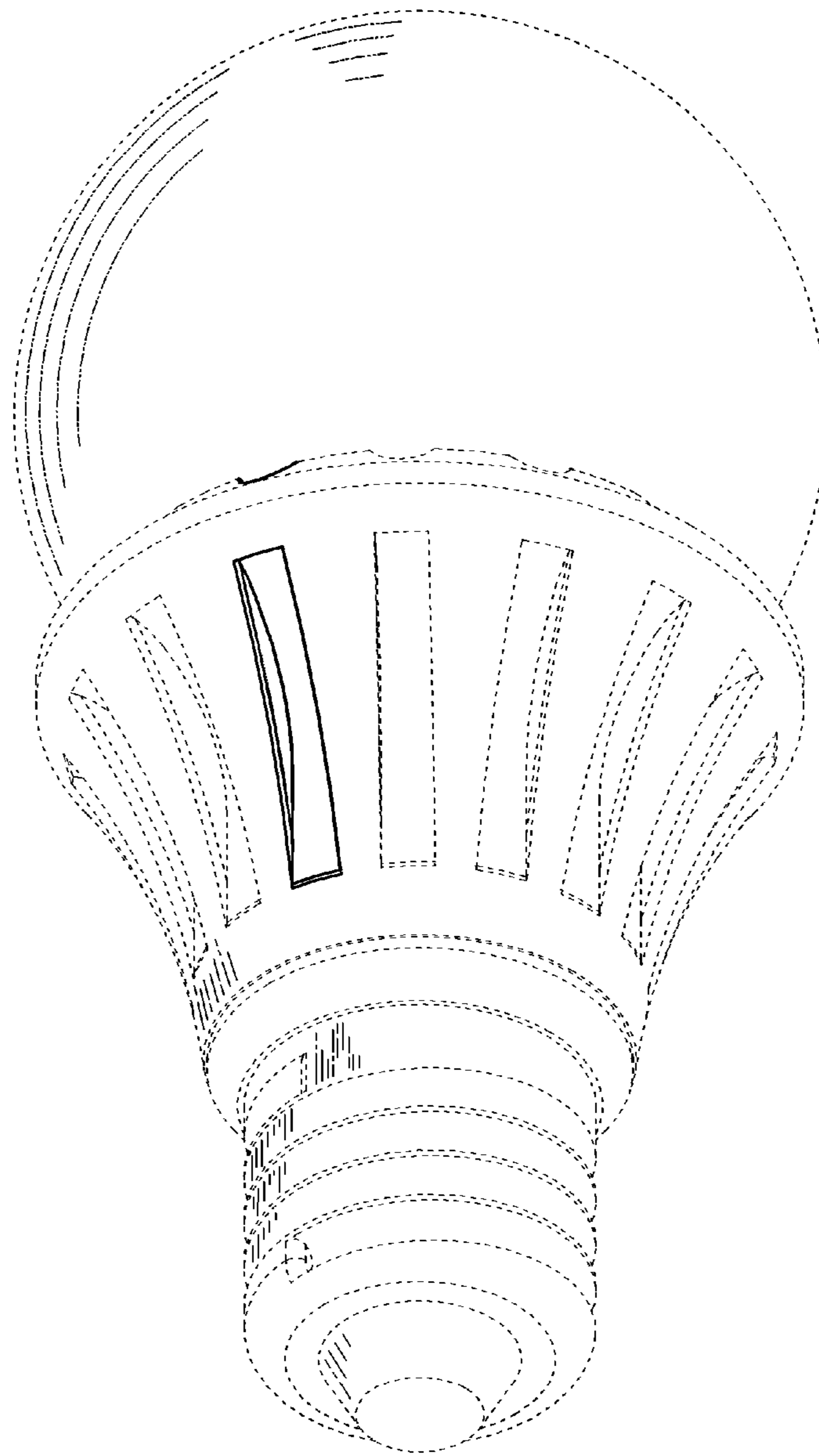


FIG. 8

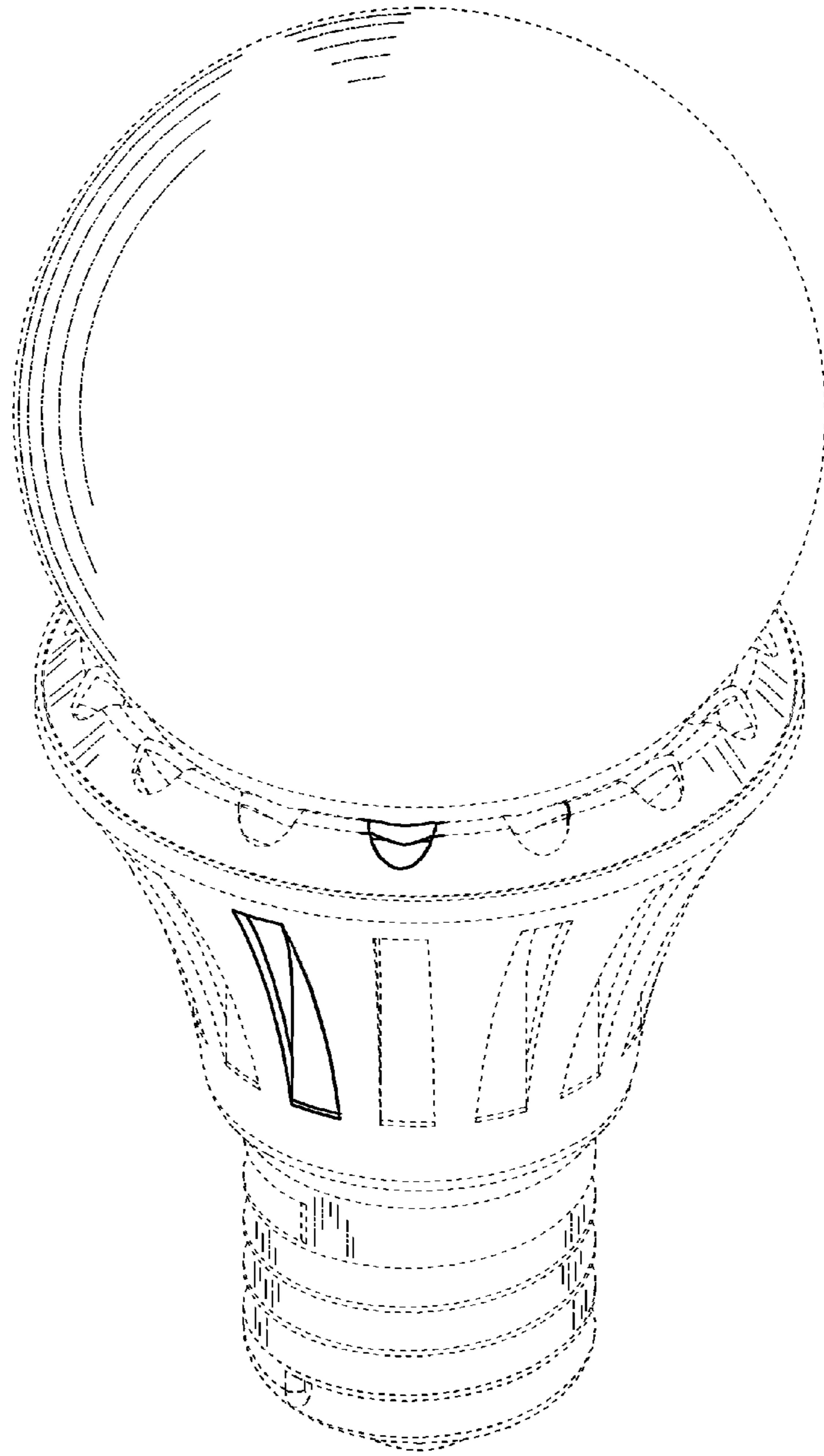


FIG. 9

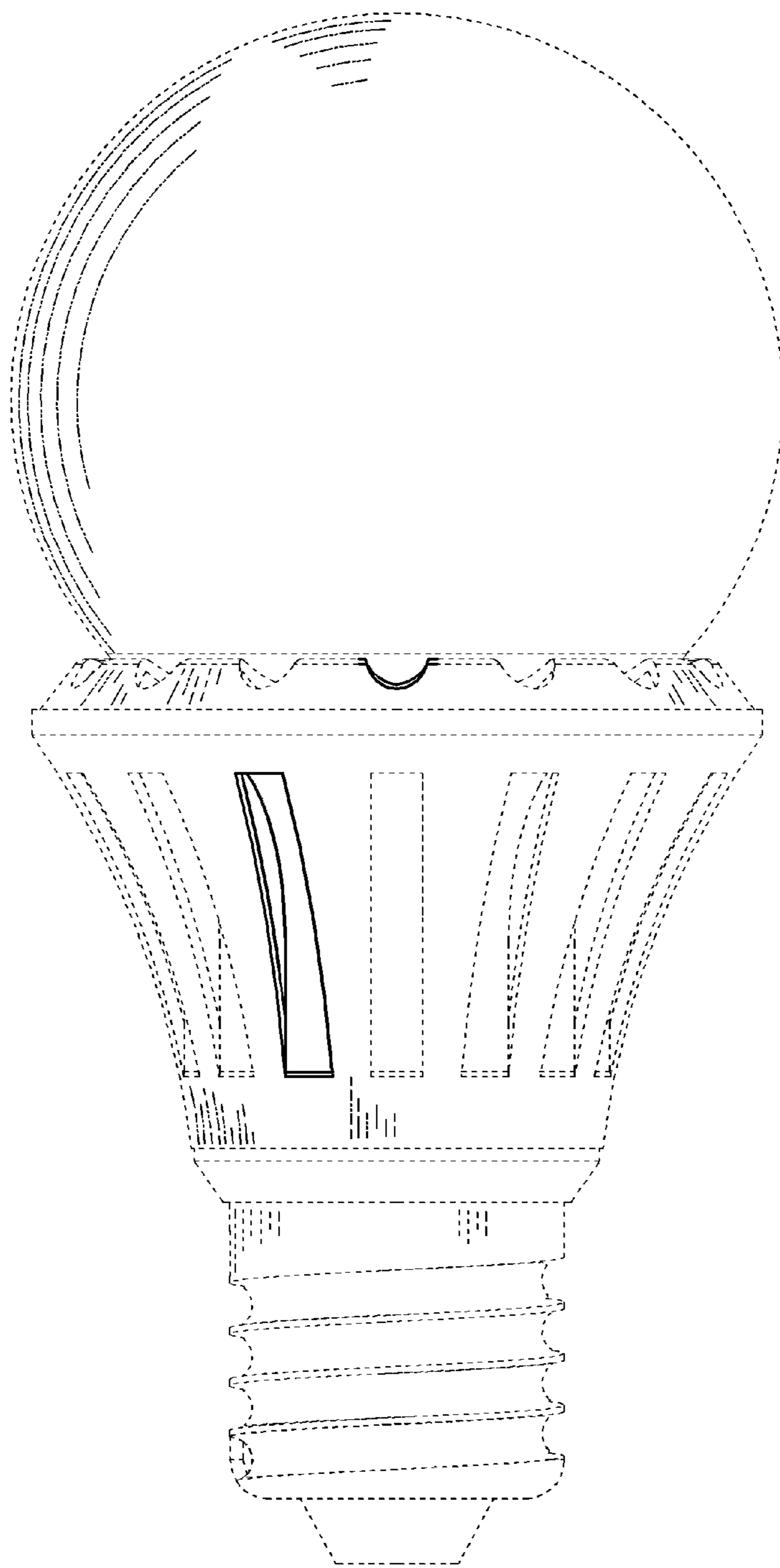


FIG. 10

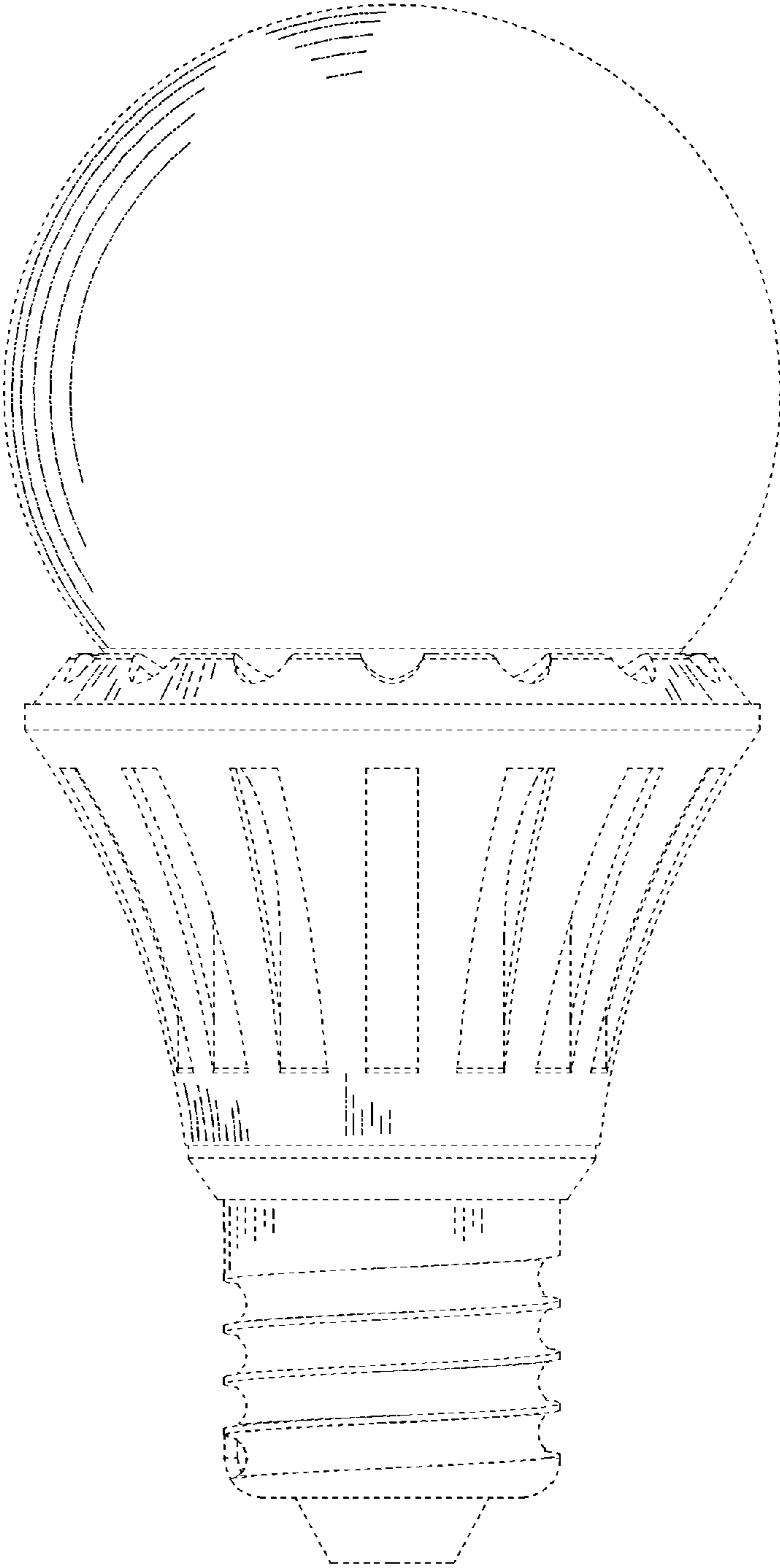


FIG. 11

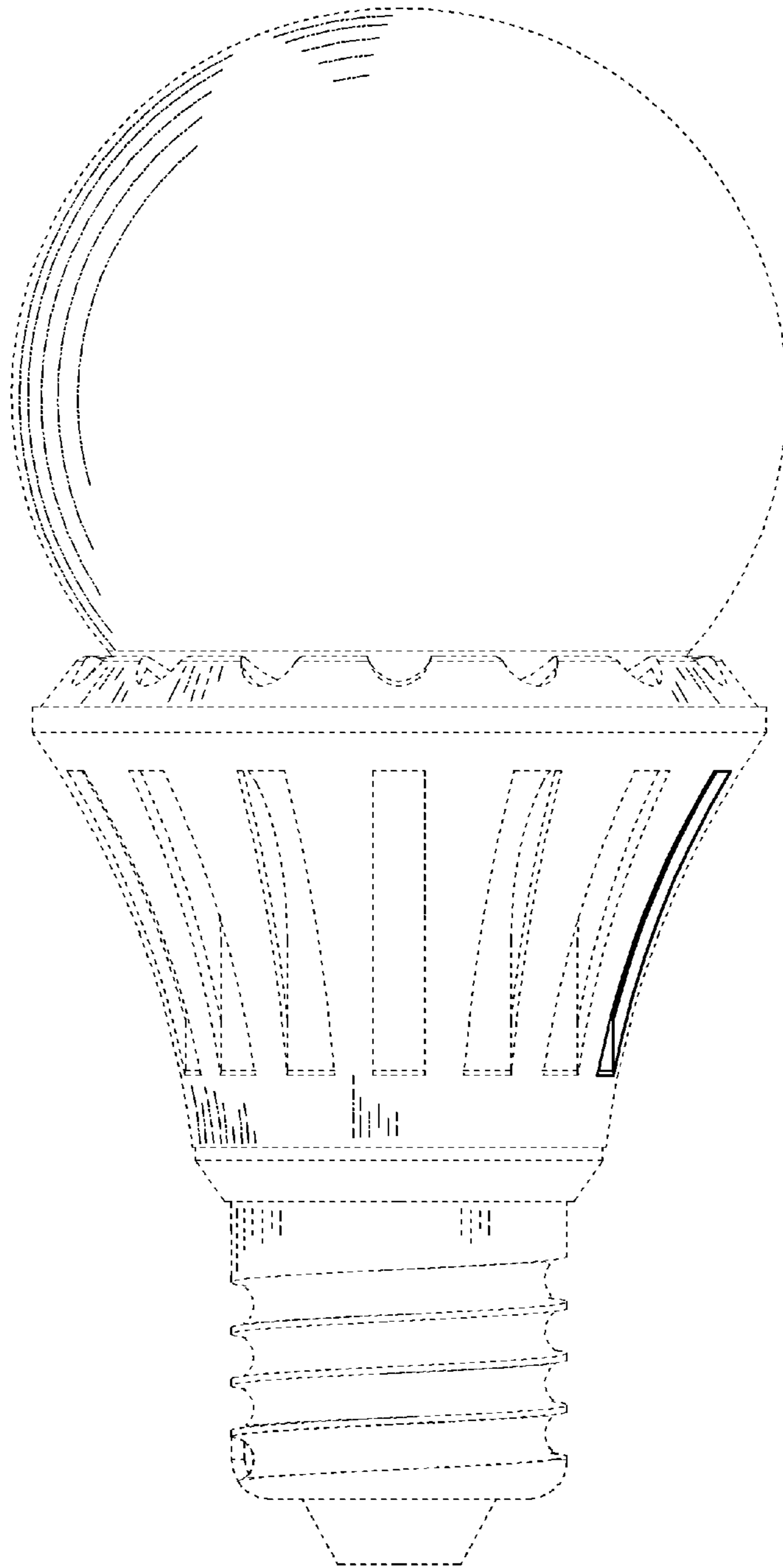


FIG. 12

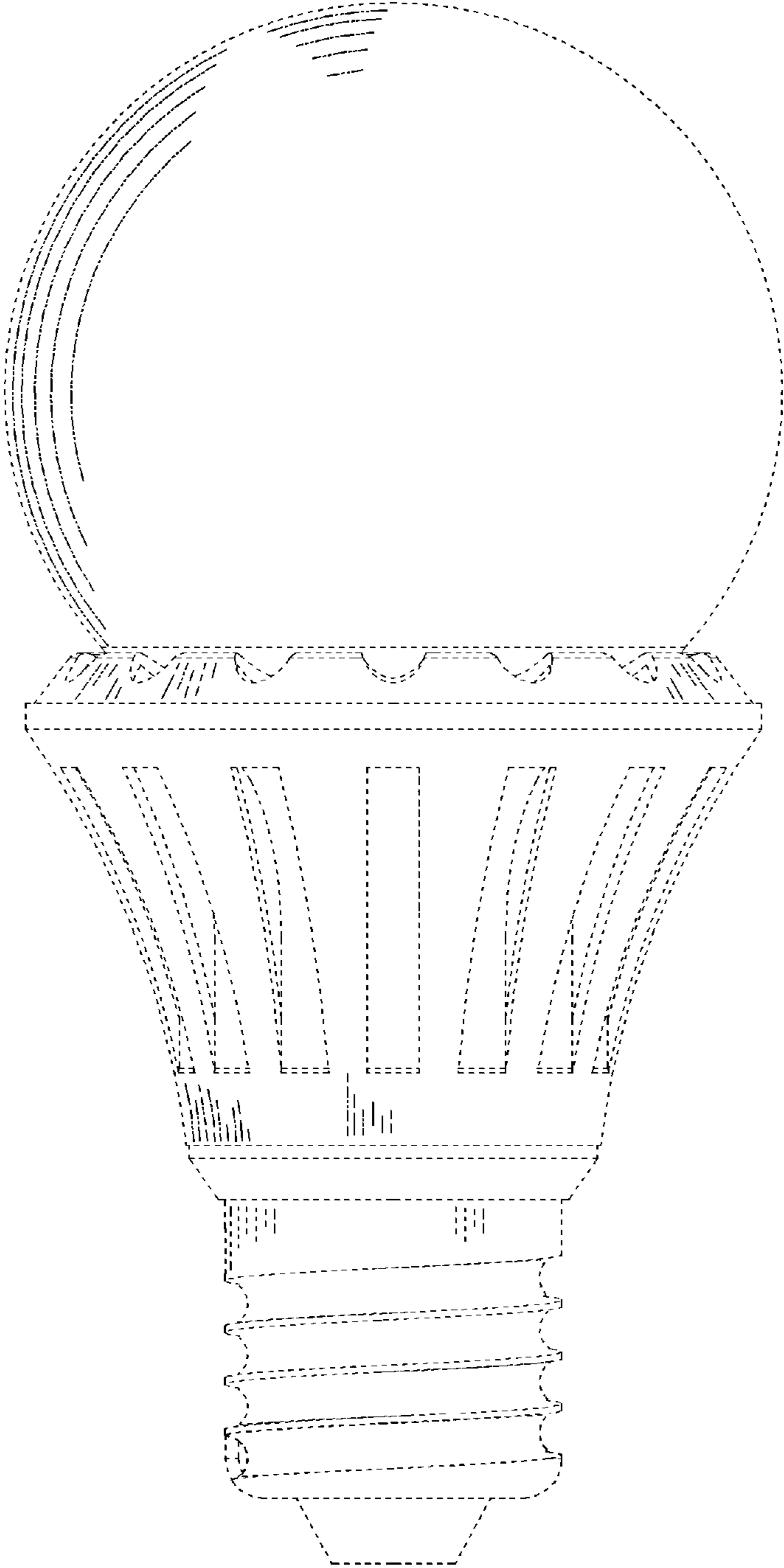


FIG. 13

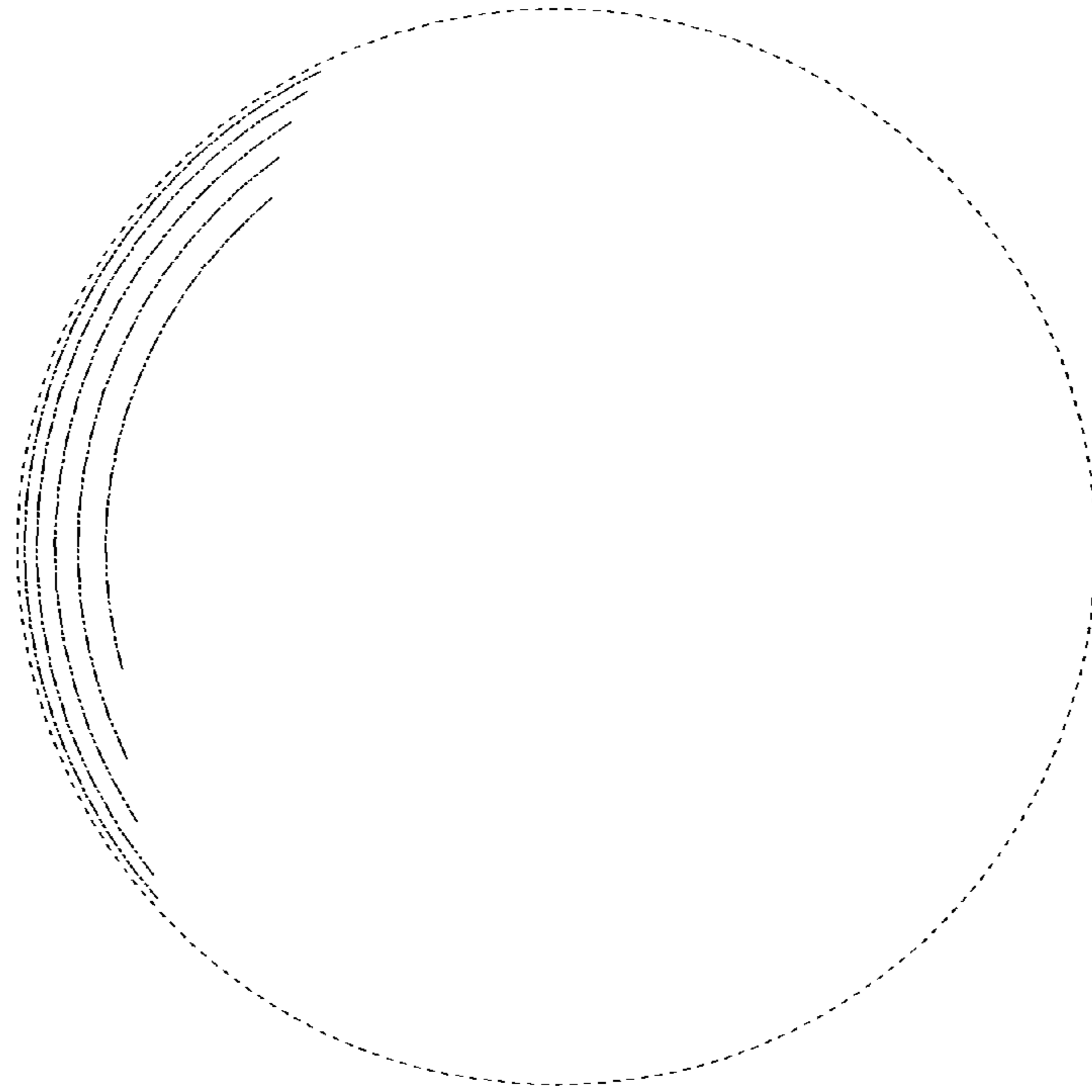


FIG. 14

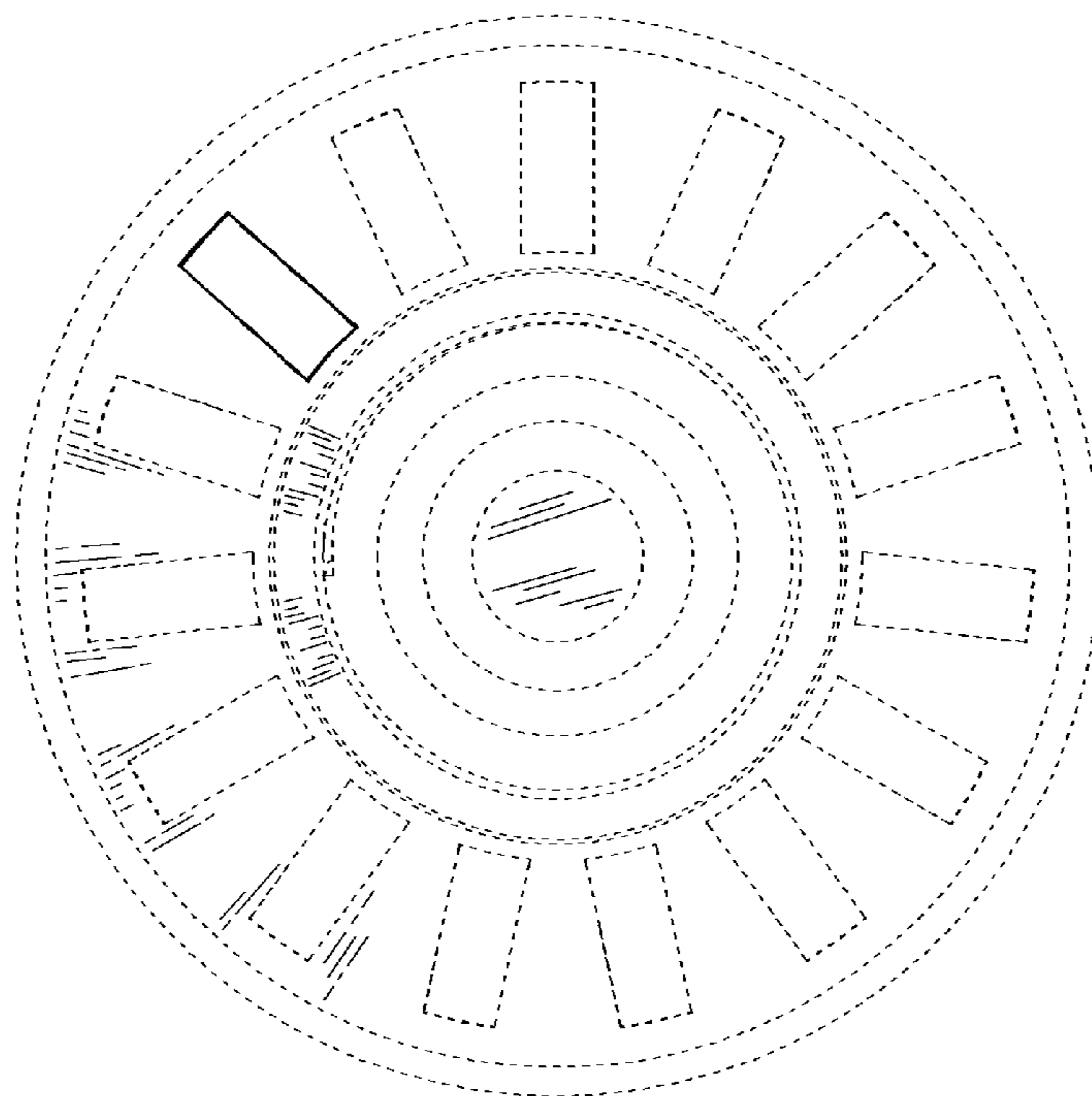


FIG. 15

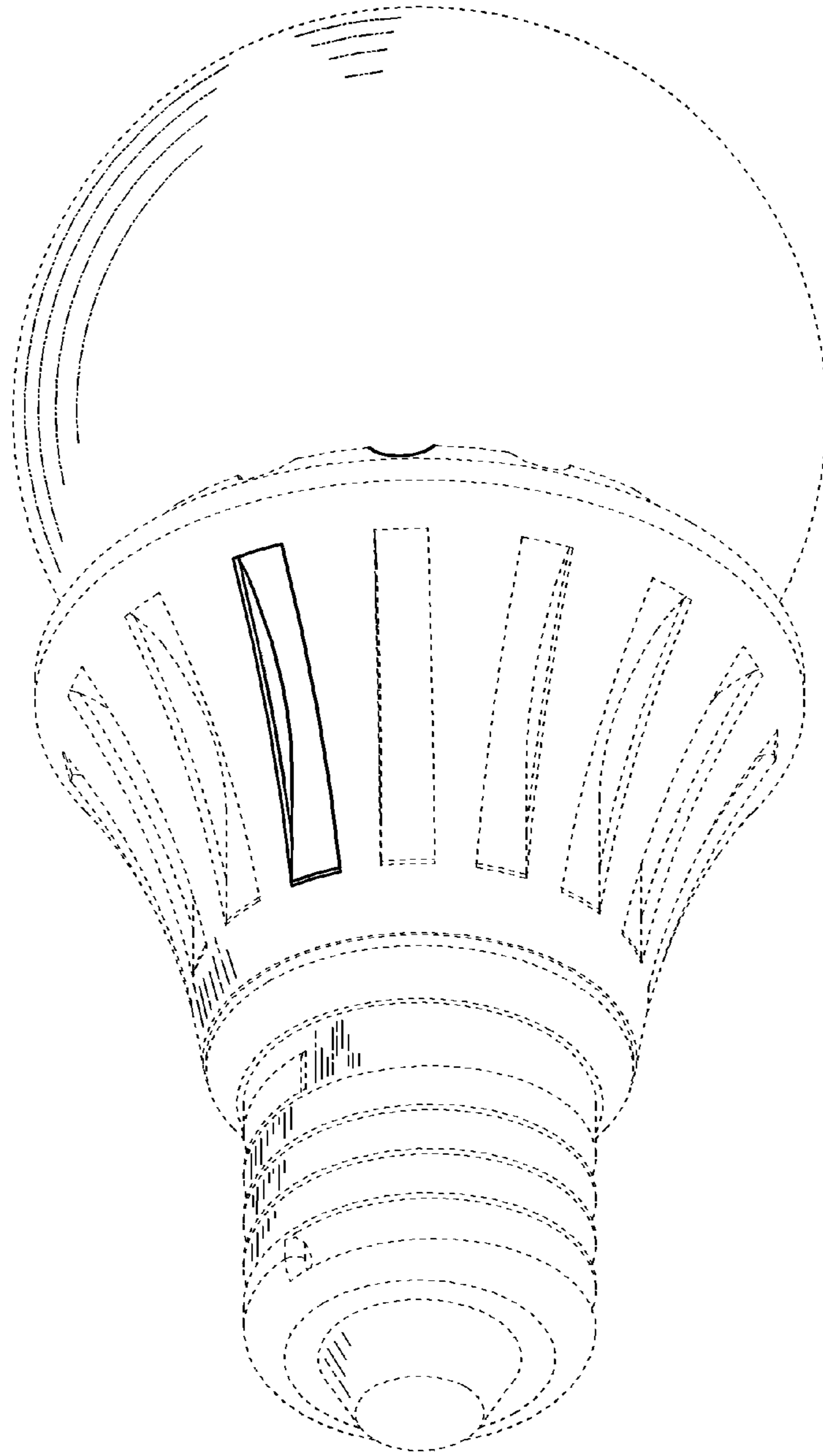


FIG. 16