



US00D724240S

(12) **United States Design Patent**
Ross

(10) **Patent No.:** **US D724,240 S**
(45) **Date of Patent:** **** Mar. 10, 2015**

(54) **CAP RAILING**

(71) Applicant: **George H. Ross**, Delano, MN (US)

(72) Inventor: **George H. Ross**, Delano, MN (US)

(**) Term: **14 Years**

(21) Appl. No.: **29/449,404**

(22) Filed: **Mar. 15, 2013**

(51) **LOC (10) Cl.** **25-01**

(52) **U.S. Cl.**
USPC **D25/121; D25/38.1; D25/135**

(58) **Field of Classification Search**
USPC **D25/38.1, 135, 121; 256/59, 65.01, 256/65.02, 65.09, 65.11, 65.16, 65.15; 52/716.1**

See application file for complete search history.

(56) **References Cited**

U.S. PATENT DOCUMENTS

- 4,089,497 A 5/1978 Miller et al.
- 4,353,529 A * 10/1982 Brown 256/59
- 5,437,433 A 8/1995 Rezek
- D509,599 S * 9/2005 MacDonald D25/121

- 7,438,284 B2 * 10/2008 McGinness et al. 256/59
- 8,317,162 B2 * 11/2012 Welandson 256/13.1
- 2004/0206028 A1 10/2004 Terrels et al.
- 2006/0284154 A1 12/2006 Sprague
- 2009/0145077 A1* 6/2009 Castelle 52/716.2
- 2011/0017969 A1* 1/2011 Reich 256/65.16

* cited by examiner

Primary Examiner — Doris Clark

(74) *Attorney, Agent, or Firm* — Antonio Papageorgiou, Esq.; Meister Seelig & Fein LLP

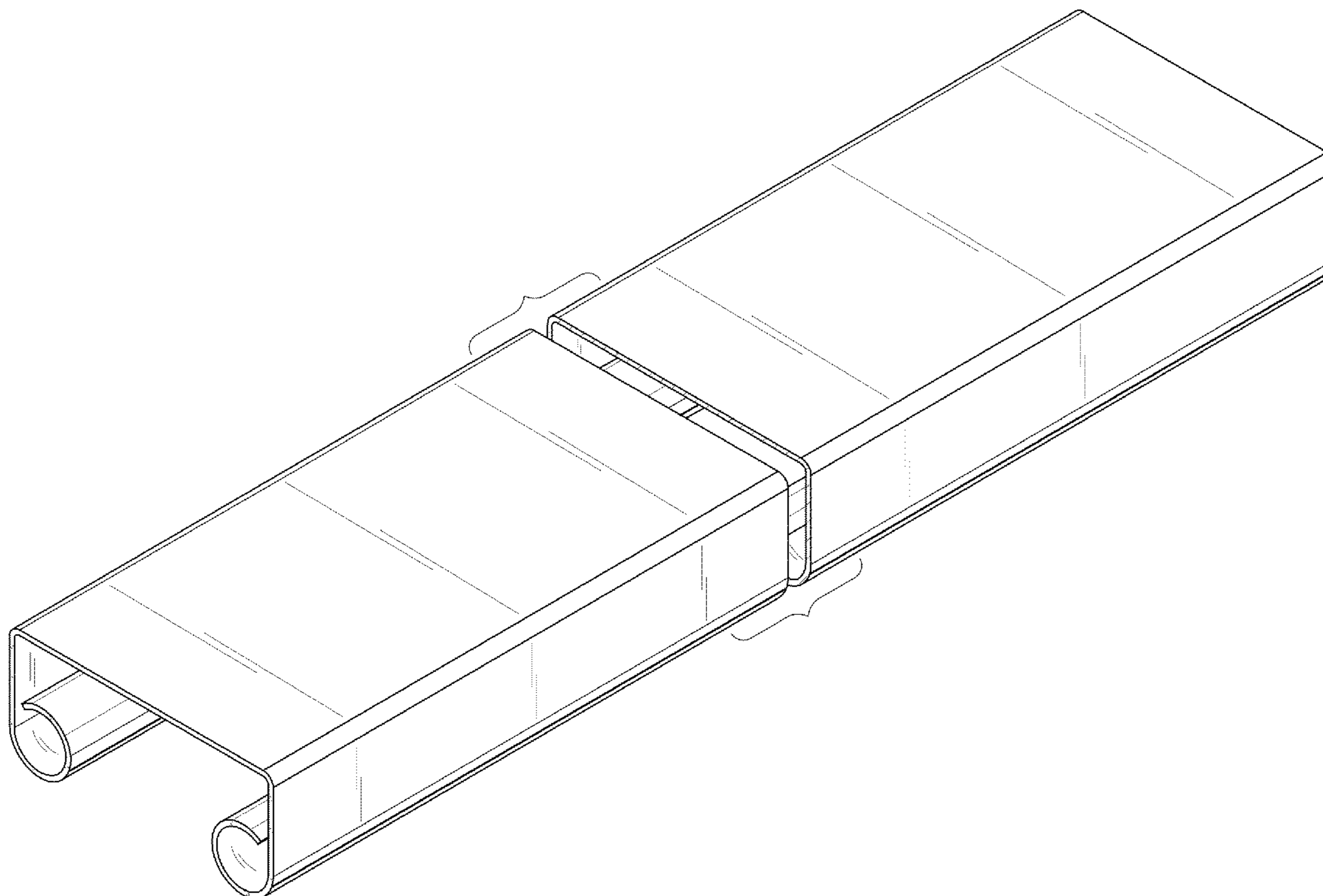
(57) **CLAIM**

The ornamental design for cap railing, as shown and described.

DESCRIPTION

FIG. 1 is a perspective view of one side and the front of the cap railing according to my new design;
 FIG. 2 is a front view thereof;
 FIG. 3 is a back view thereof;
 FIG. 4 is a left side view thereof;
 FIG. 5 is a right side view thereof;
 FIG. 6 is a top view thereof; and,
 FIG. 7 is a bottom view thereof.

1 Claim, 4 Drawing Sheets



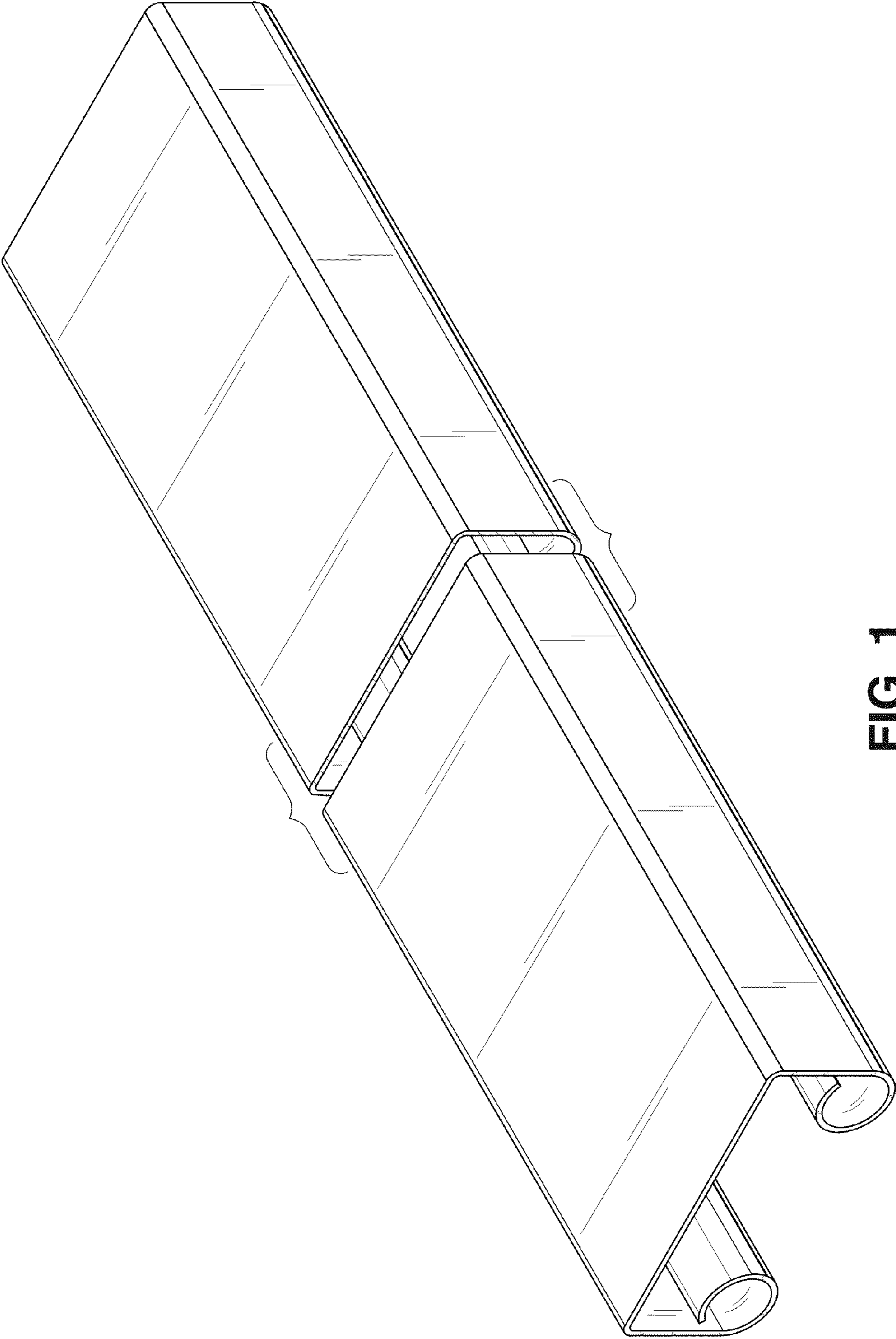


FIG. 1

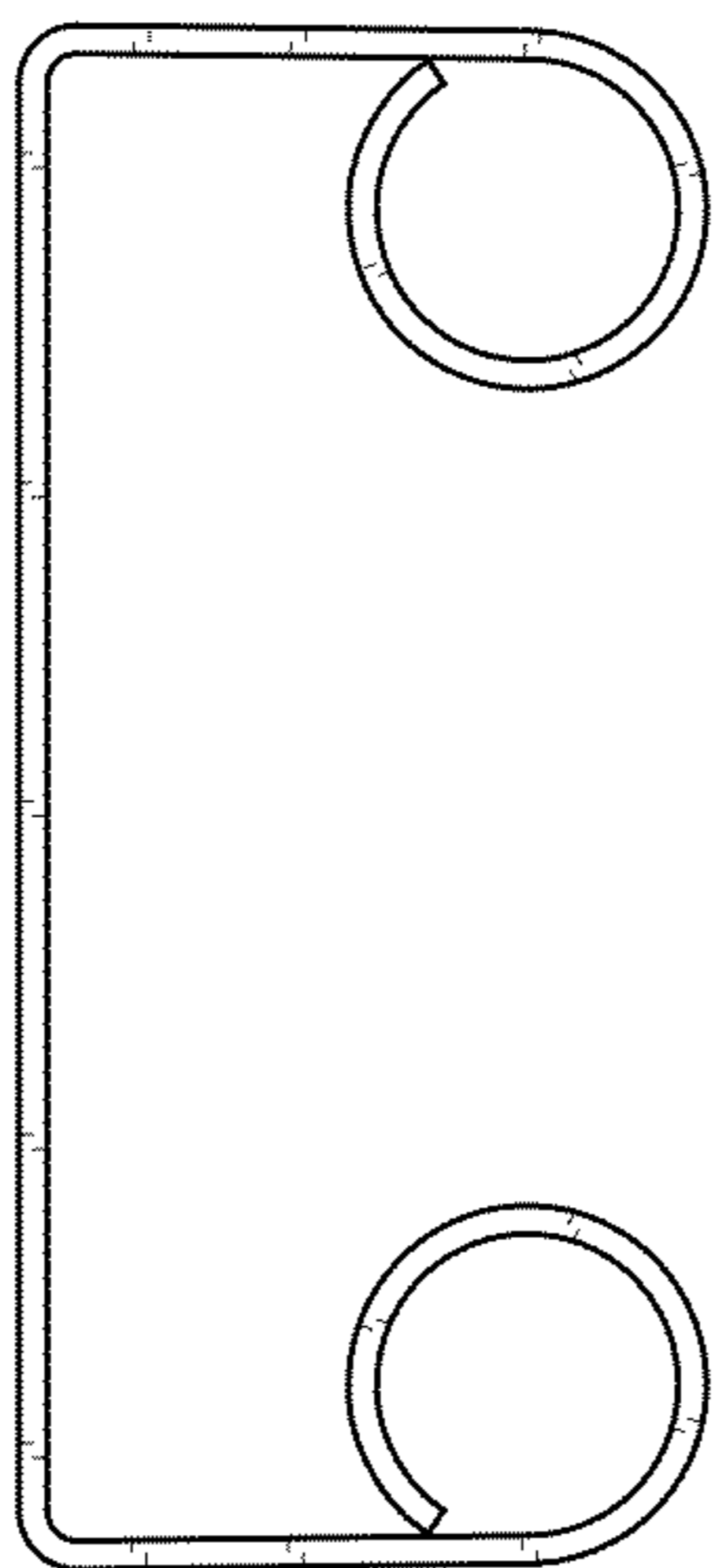


FIG. 2

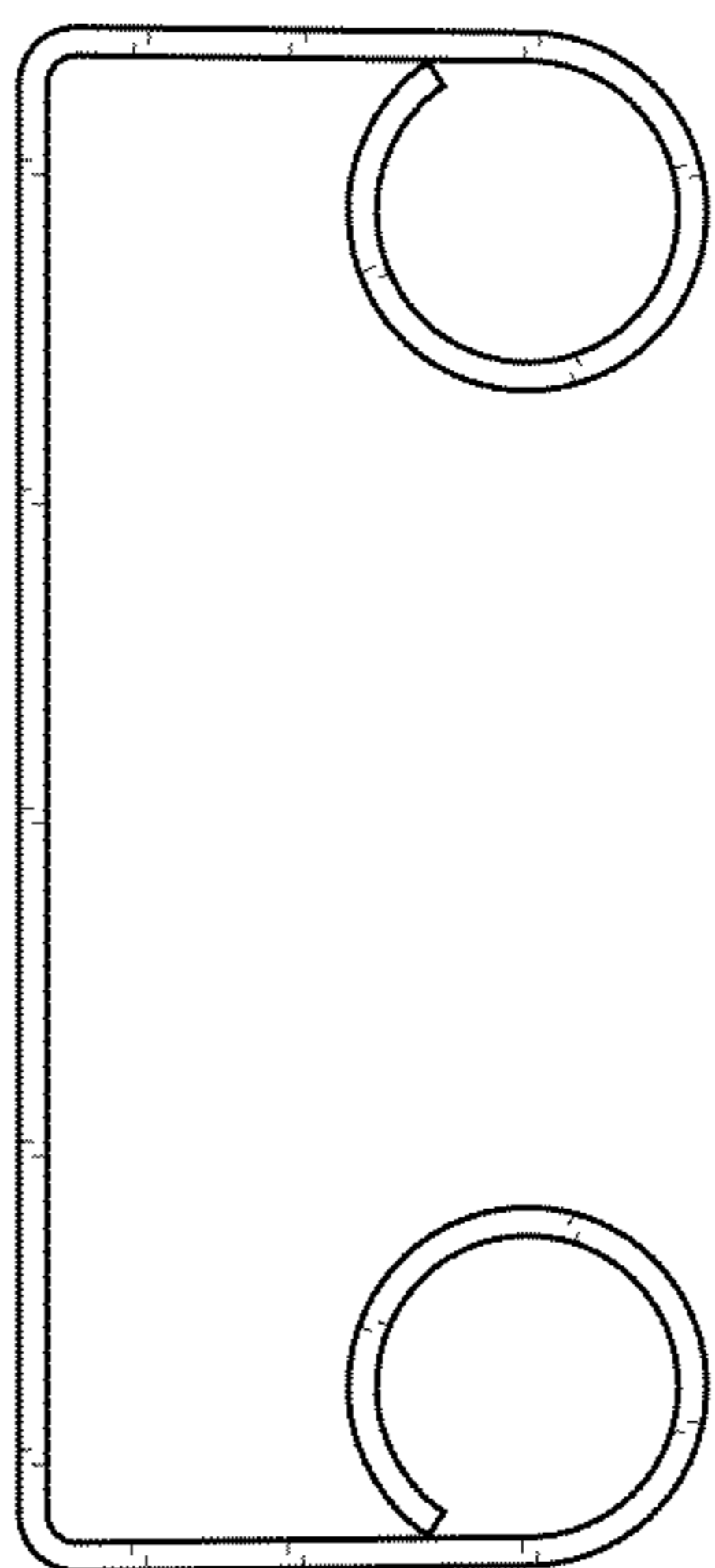


FIG. 3

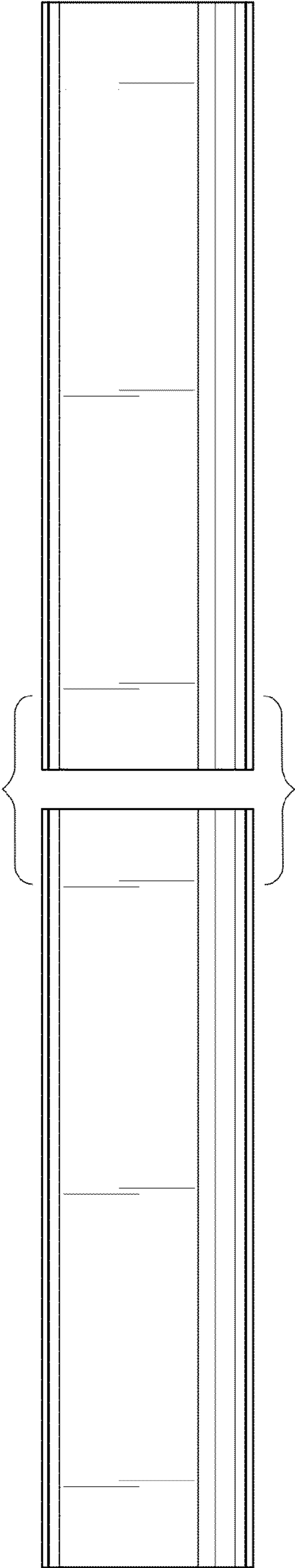


FIG. 4

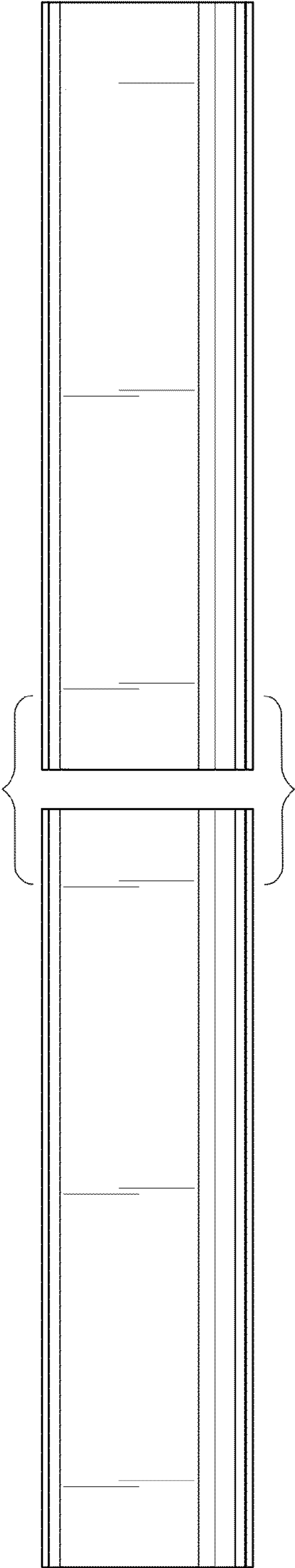


FIG. 5

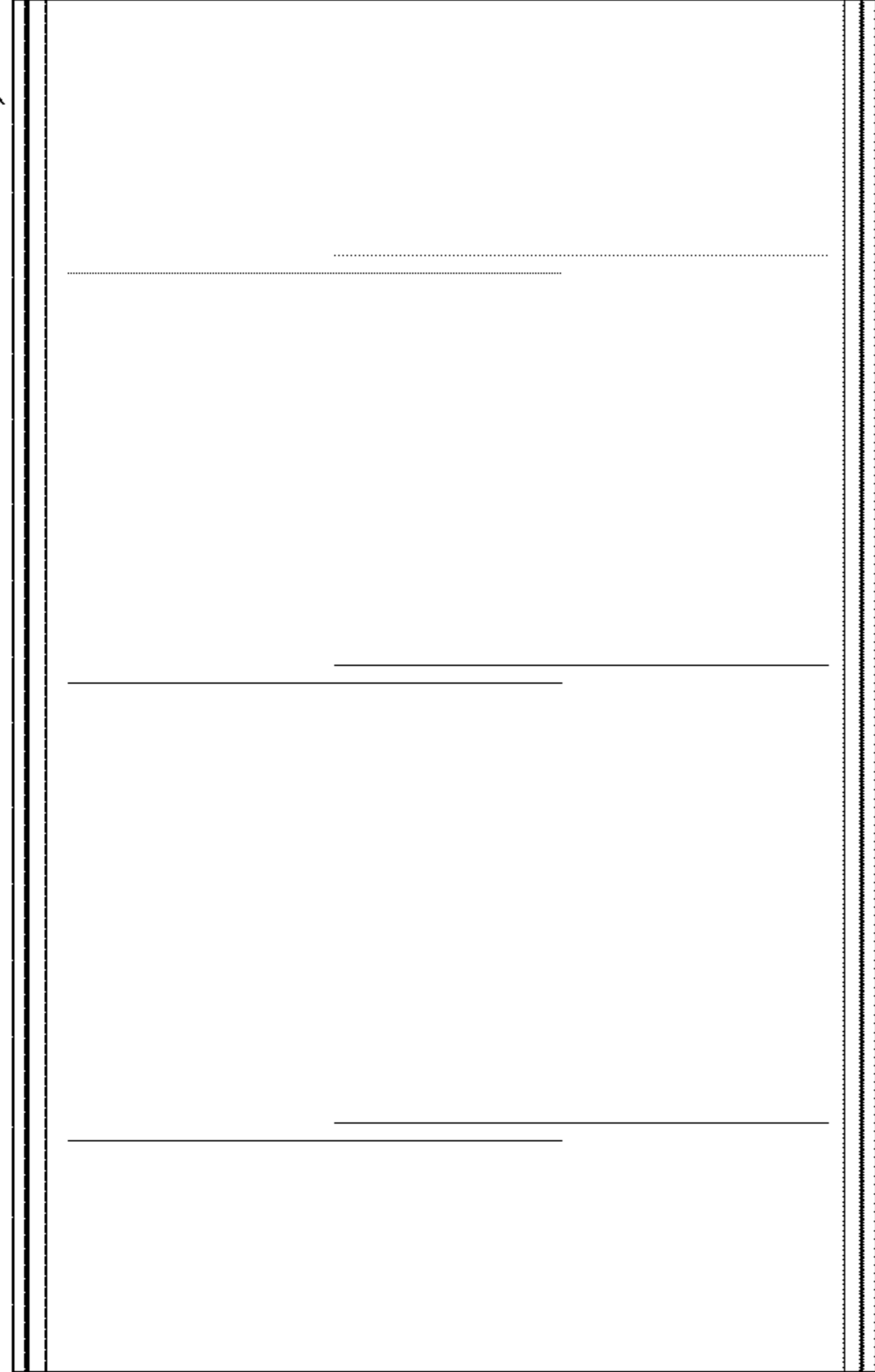
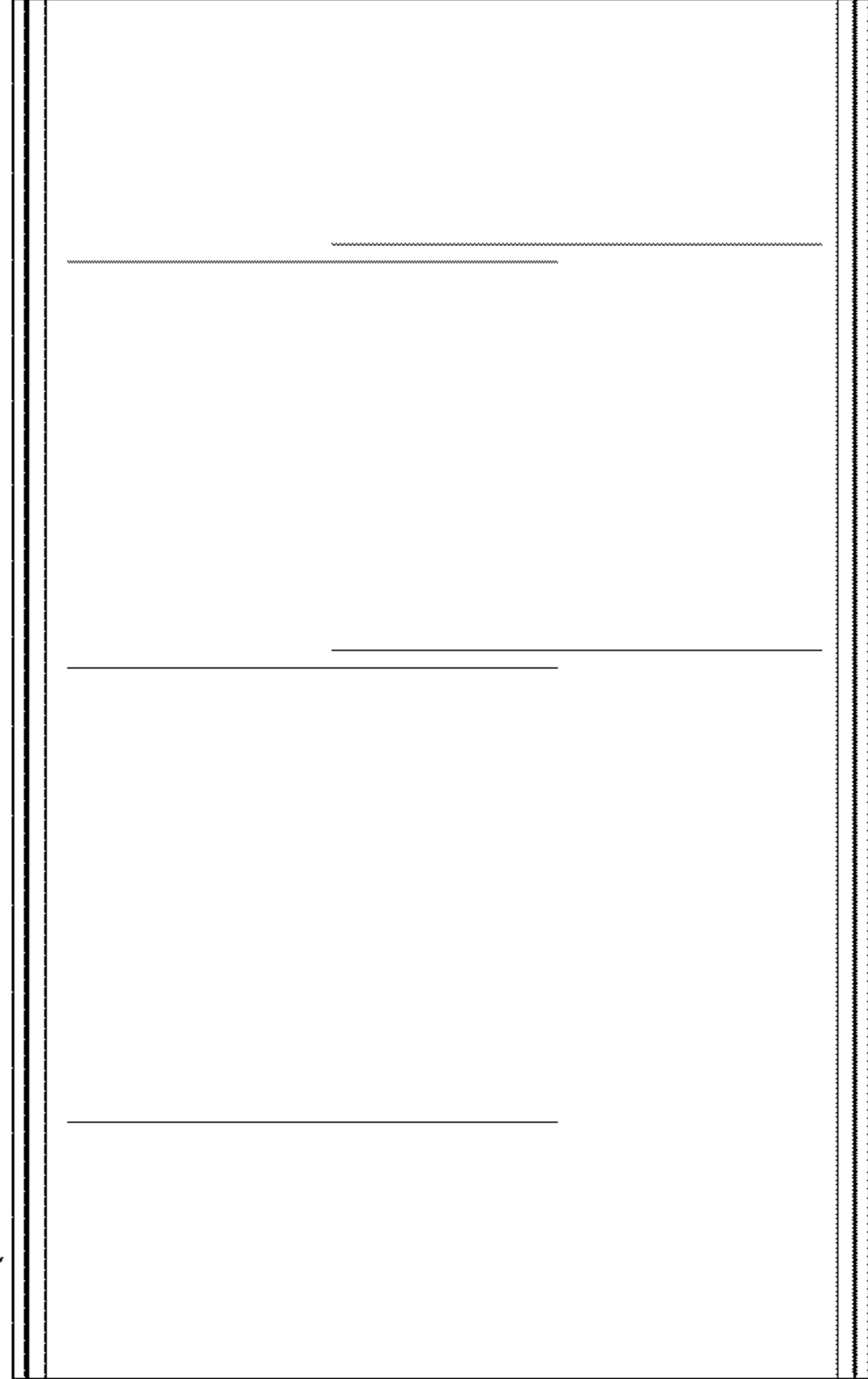


FIG. 6

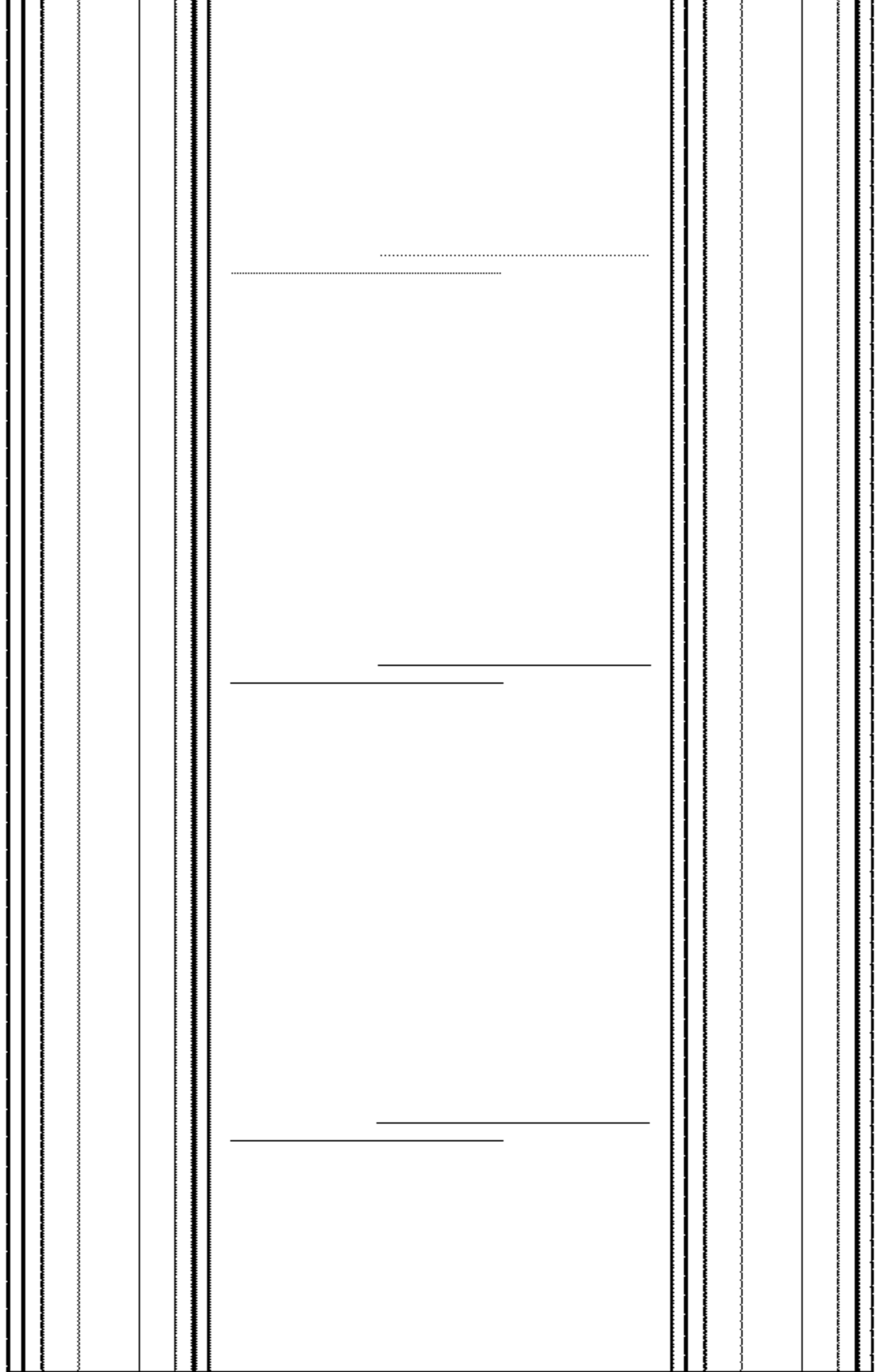
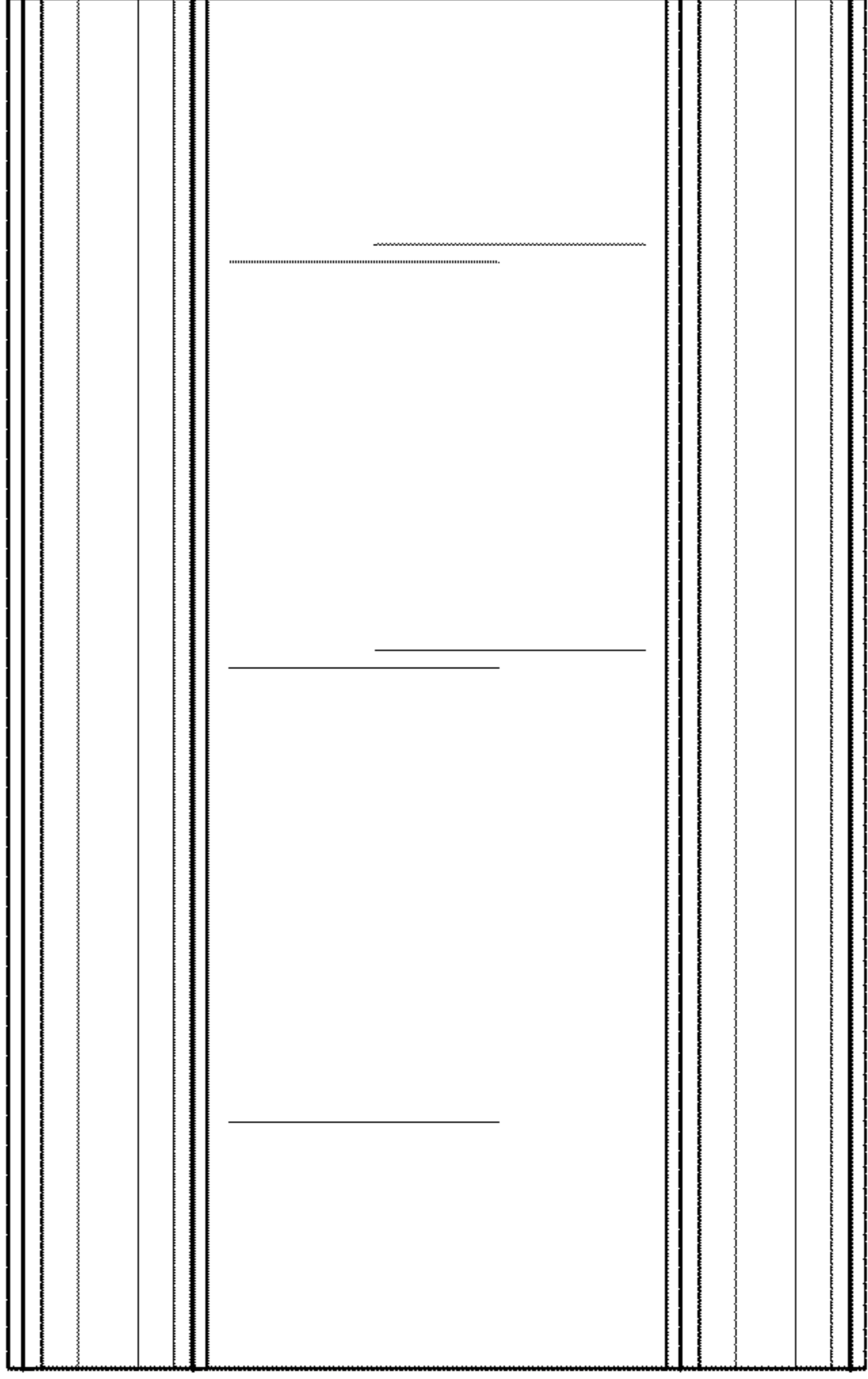


FIG. 7