



US00D724239S

(12) **United States Design Patent**  
**Stanfill**

(10) **Patent No.:** **US D724,239 S**  
(45) **Date of Patent:** **\*\* Mar. 10, 2015**

- (54) **SIDING TRIM PIECE**
- (71) Applicant: **Rustique Enterprises, Inc.**, O'Fallon, MO (US)
- (72) Inventor: **Heath Stanfill**, Foristell, MO (US)
- (73) Assignee: **Rustique Enterprises, Inc.**, O'Fallon, MO (US)
- (\*\*) Term: **14 Years**
- (21) Appl. No.: **29/449,429**
- (22) Filed: **Mar. 15, 2013**
- (51) **LOC (10) Cl.** ..... **25-01**
- (52) **U.S. Cl.**  
USPC ..... **D25/119**
- (58) **Field of Classification Search**  
USPC ..... D25/119, 136, 55, 141; 52/62, 169.5, 52/281, 282.1, 287.1, 288.1, 716.2, 716.8, 52/717.01, 371, 254, 255, 459, 461, 465, 52/471, 472, 555, 556, 560, 96  
See application file for complete search history.

- 2002/0029537 A1 3/2002 Manning et al.
- 2006/0075712 A1 4/2006 Gilbert et al.
- 2006/0272257 A1 12/2006 Hobbie
- 2007/0119107 A1 5/2007 Shaw et al.
- 2007/0193177 A1 8/2007 Wilson et al.

\* cited by examiner

*Primary Examiner* — Doris Clark  
(74) *Attorney, Agent, or Firm* — Thompson Coburn LLP

(57) **CLAIM**

The ornamental design for a siding trim piece, as shown and described.

**DESCRIPTION**

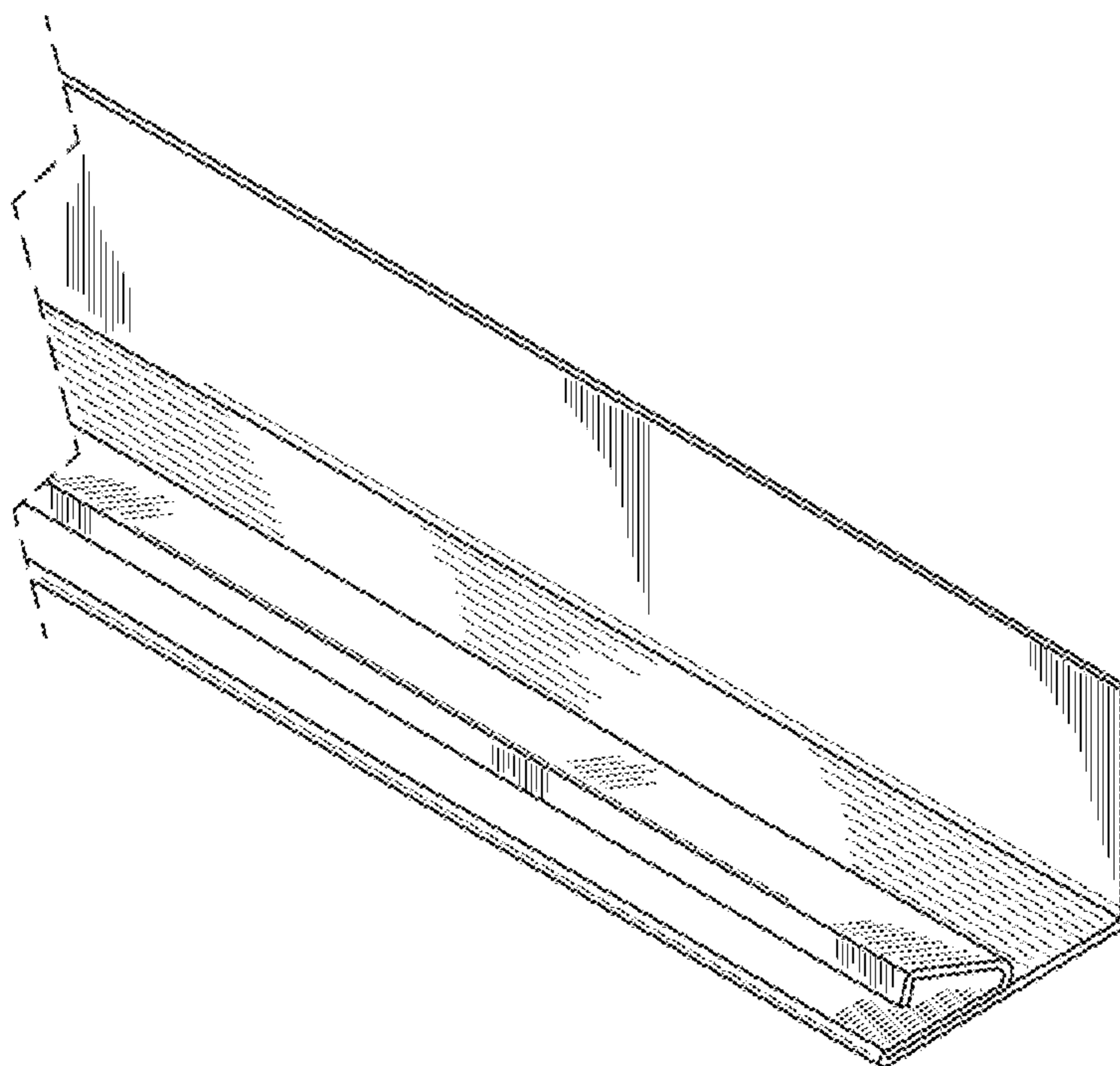
FIG. 1 is a top and front perspective view of a trim piece showing my new design;  
 FIG. 2 is a bottom and front perspective view of the trim piece of FIG. 1;  
 FIG. 3 is a bottom and rear perspective view of the trim piece of FIG. 1;  
 FIG. 4 is a top and rear perspective view of the trim piece of FIG. 1;  
 FIG. 5 is a front view of the trim piece of FIG. 1;  
 FIG. 6 is a back view of the trim piece of FIG. 1;  
 FIG. 7 is a top view of the trim piece of FIG. 1;  
 FIG. 8 is a left view of the trim piece of FIG. 1;  
 FIG. 9 is a right view of the trim piece of FIG. 1; and,  
 FIG. 10 is a bottom view of the trim piece of FIG. 1.  
 The claimed design is broken in the center to indicate indeterminate length.

**1 Claim, 2 Drawing Sheets**

(56) **References Cited**

U.S. PATENT DOCUMENTS

- 3,831,334 A \* 8/1974 Rutkowski et al. .... 52/288.1
- D248,327 S \* 6/1978 South ..... D25/119
- 4,189,885 A 2/1980 Fritz
- 5,016,415 A 5/1991 Kellis
- 5,090,174 A 2/1992 Fragale
- 6,505,448 B2 \* 1/2003 Ito ..... 52/474
- D649,263 S \* 11/2011 Brabeck et al. .... D25/119
- 8,104,234 B1 \* 1/2012 Sawyer ..... 52/96



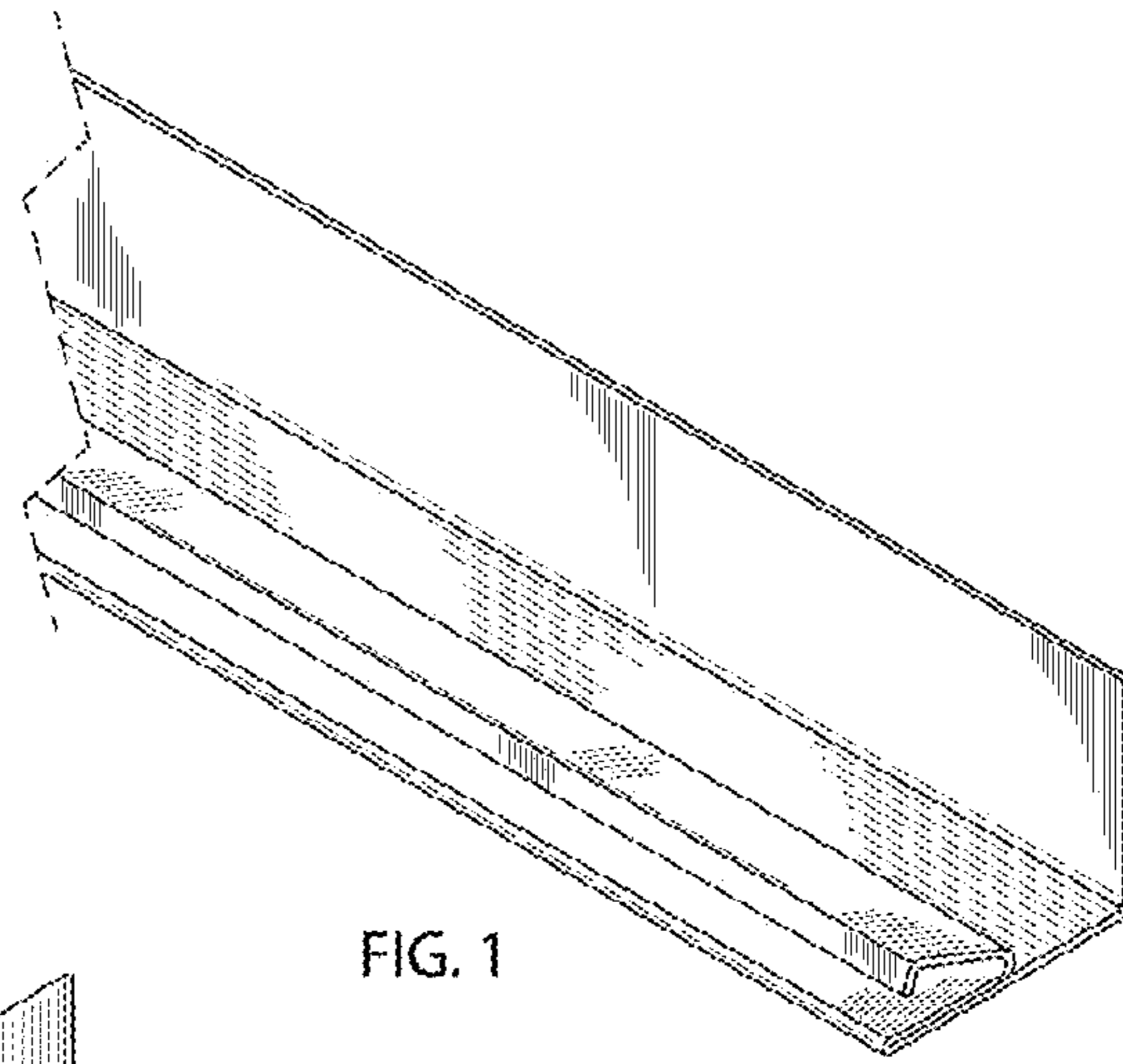


FIG. 1

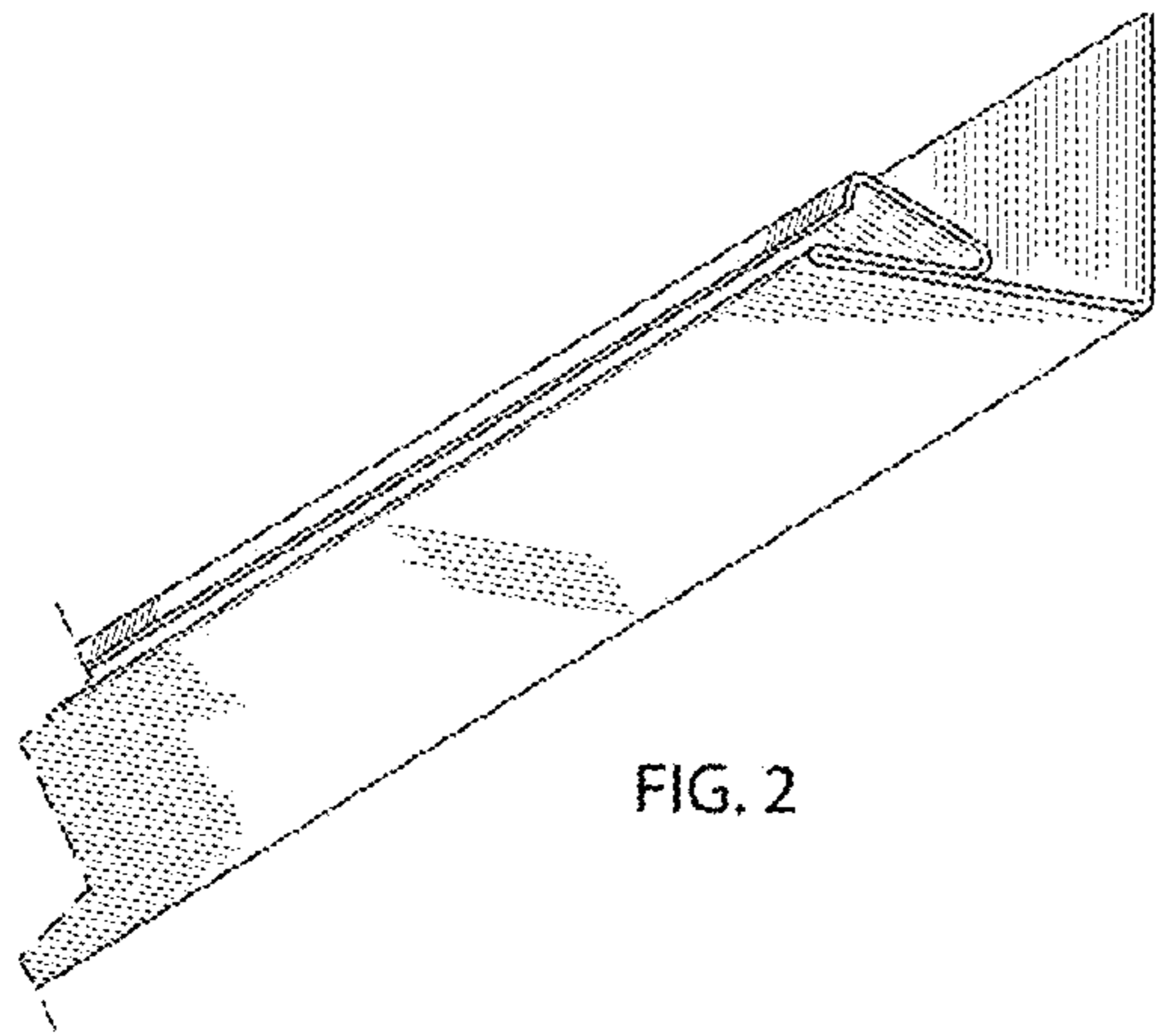


FIG. 2

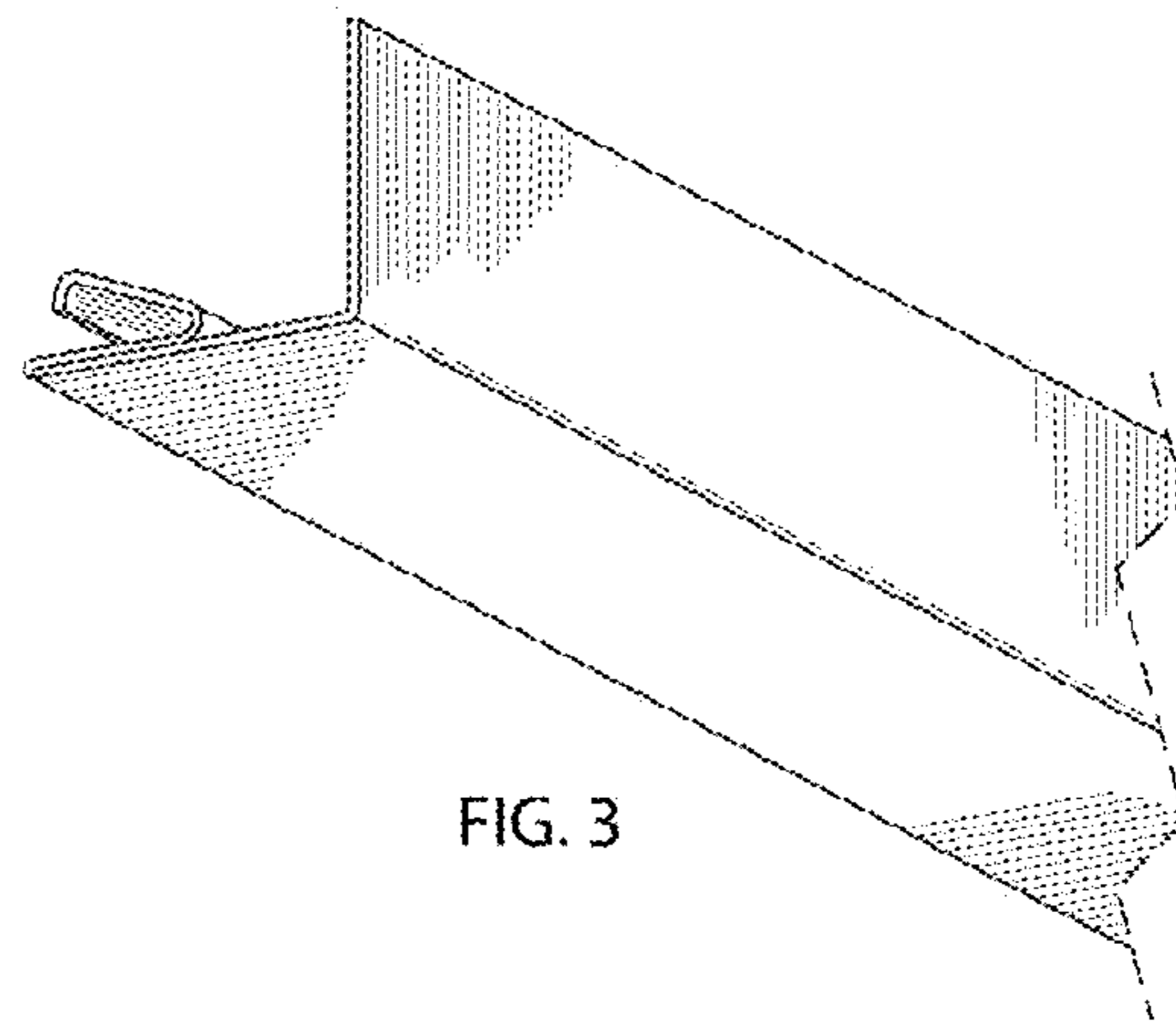


FIG. 3

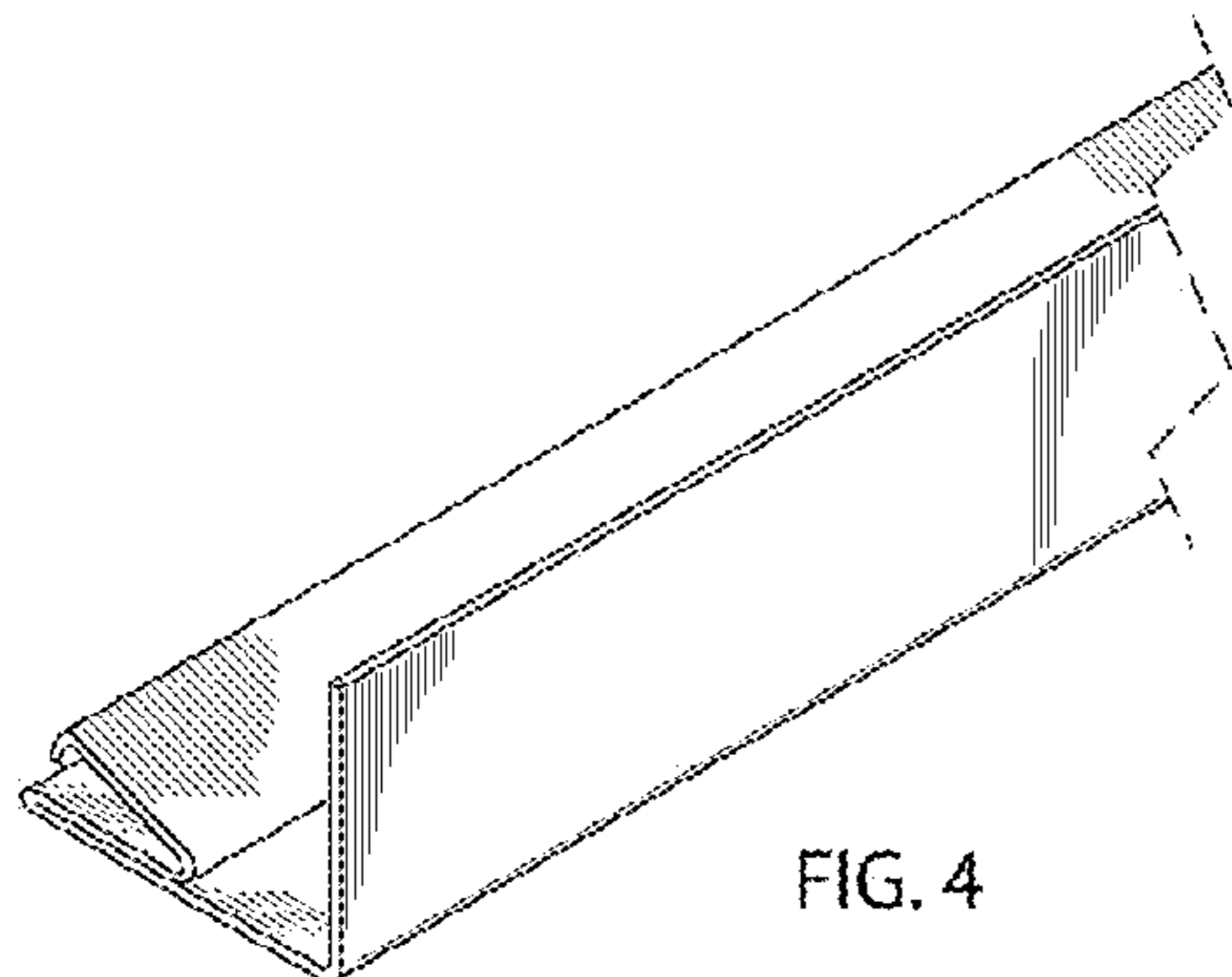


FIG. 4

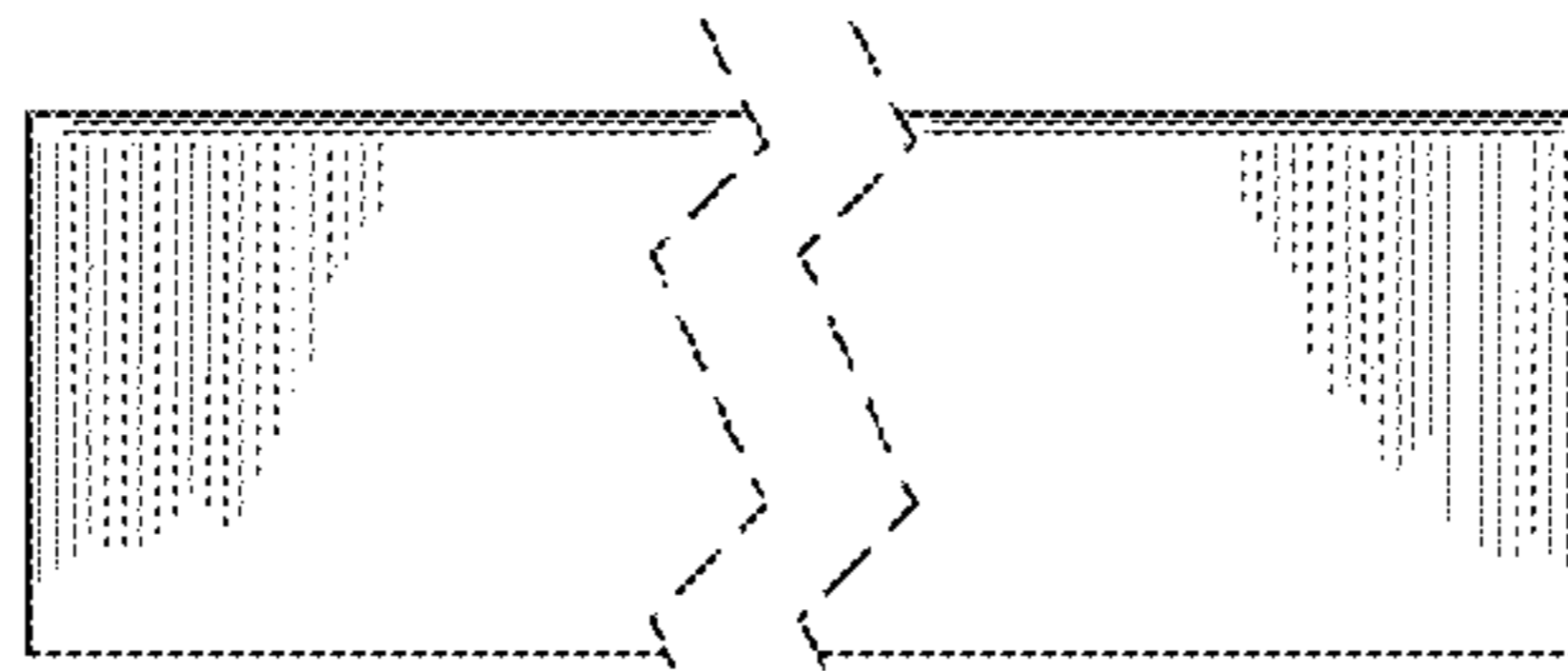


FIG. 7

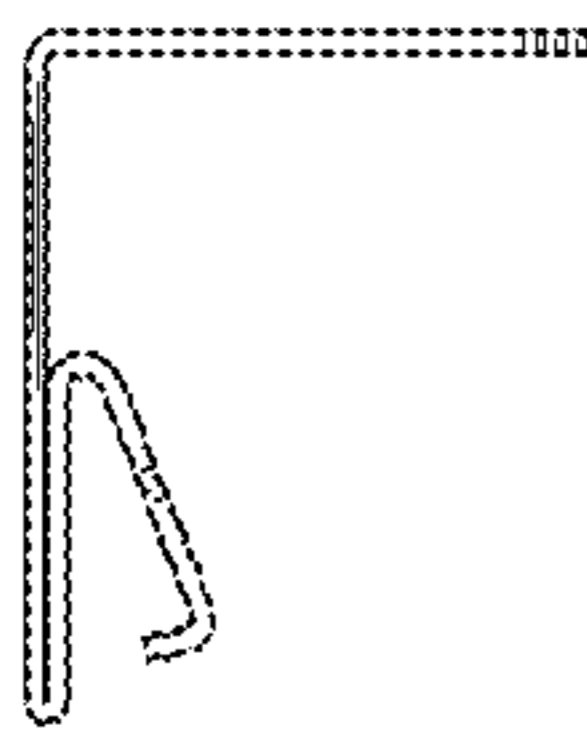


FIG. 8

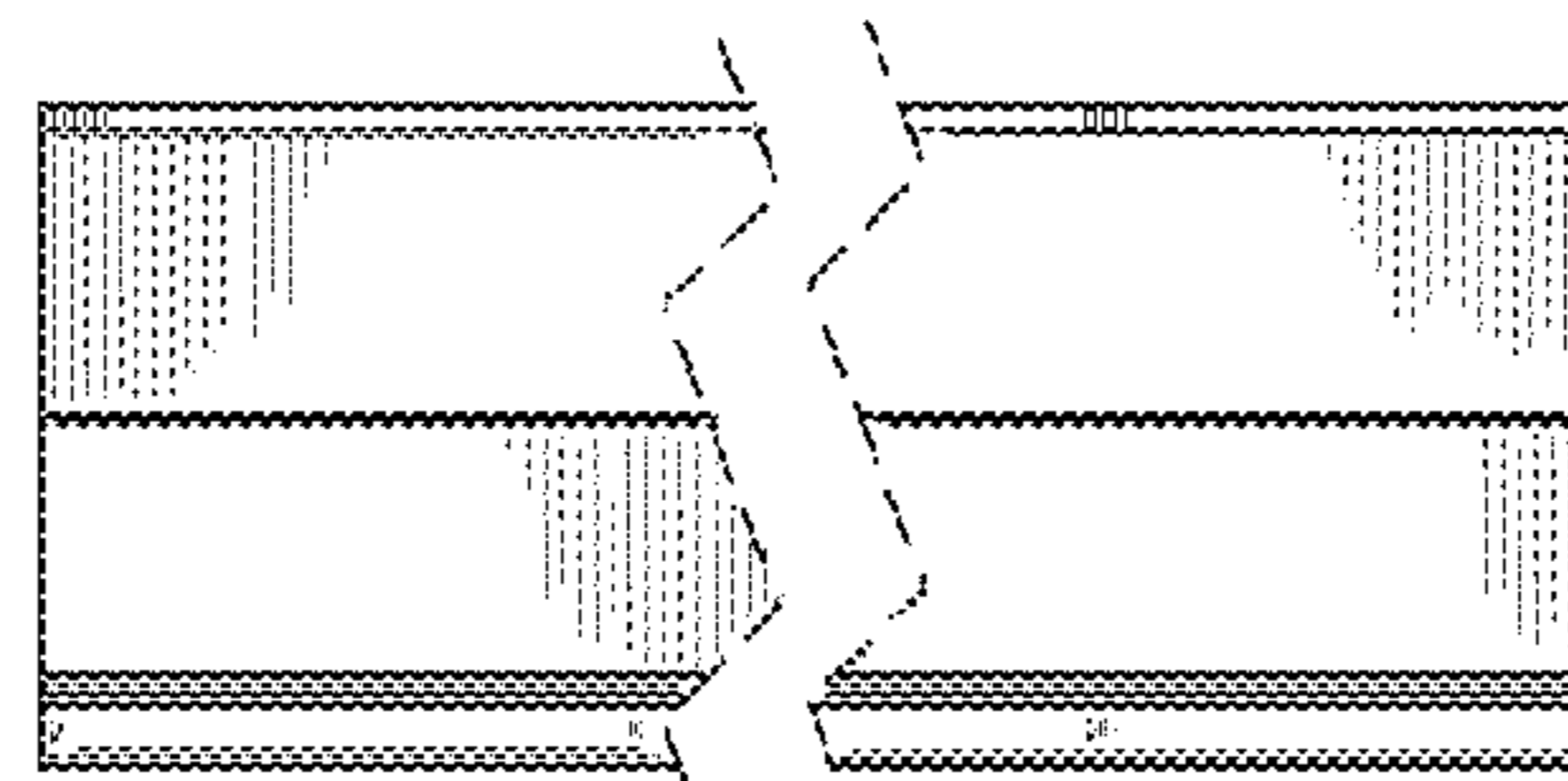


FIG. 5

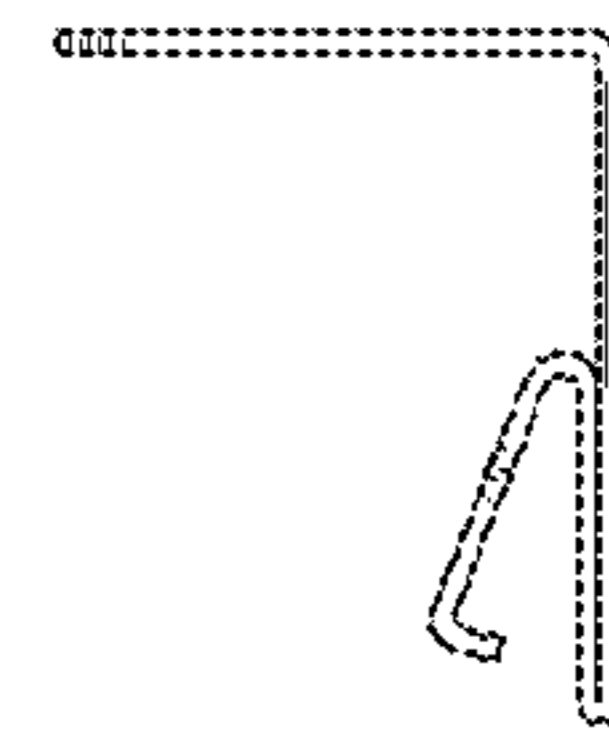


FIG. 9

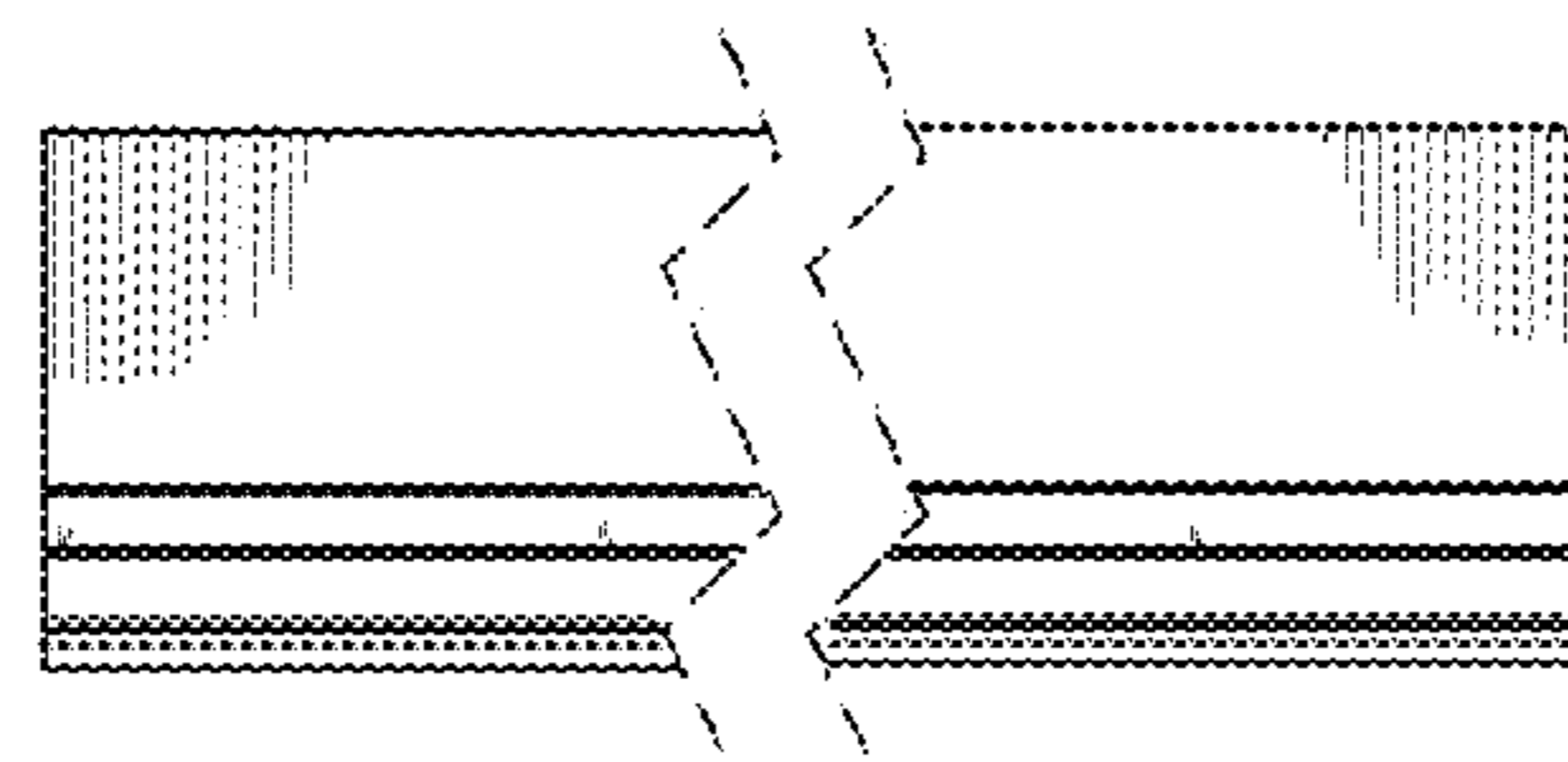


FIG. 10

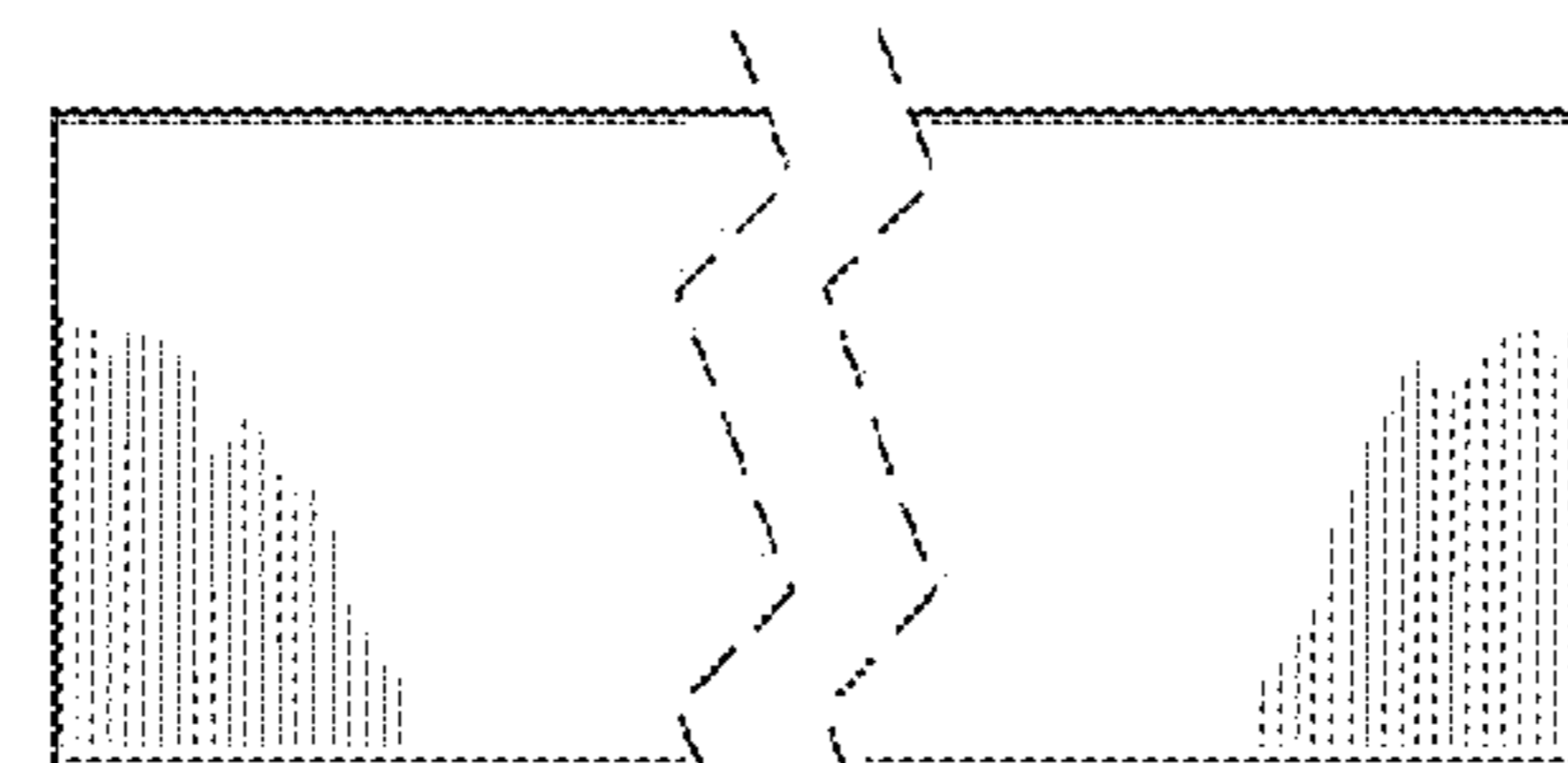


FIG. 6