



US00D724236S

(12) **United States Design Patent**  
**Motadel et al.**

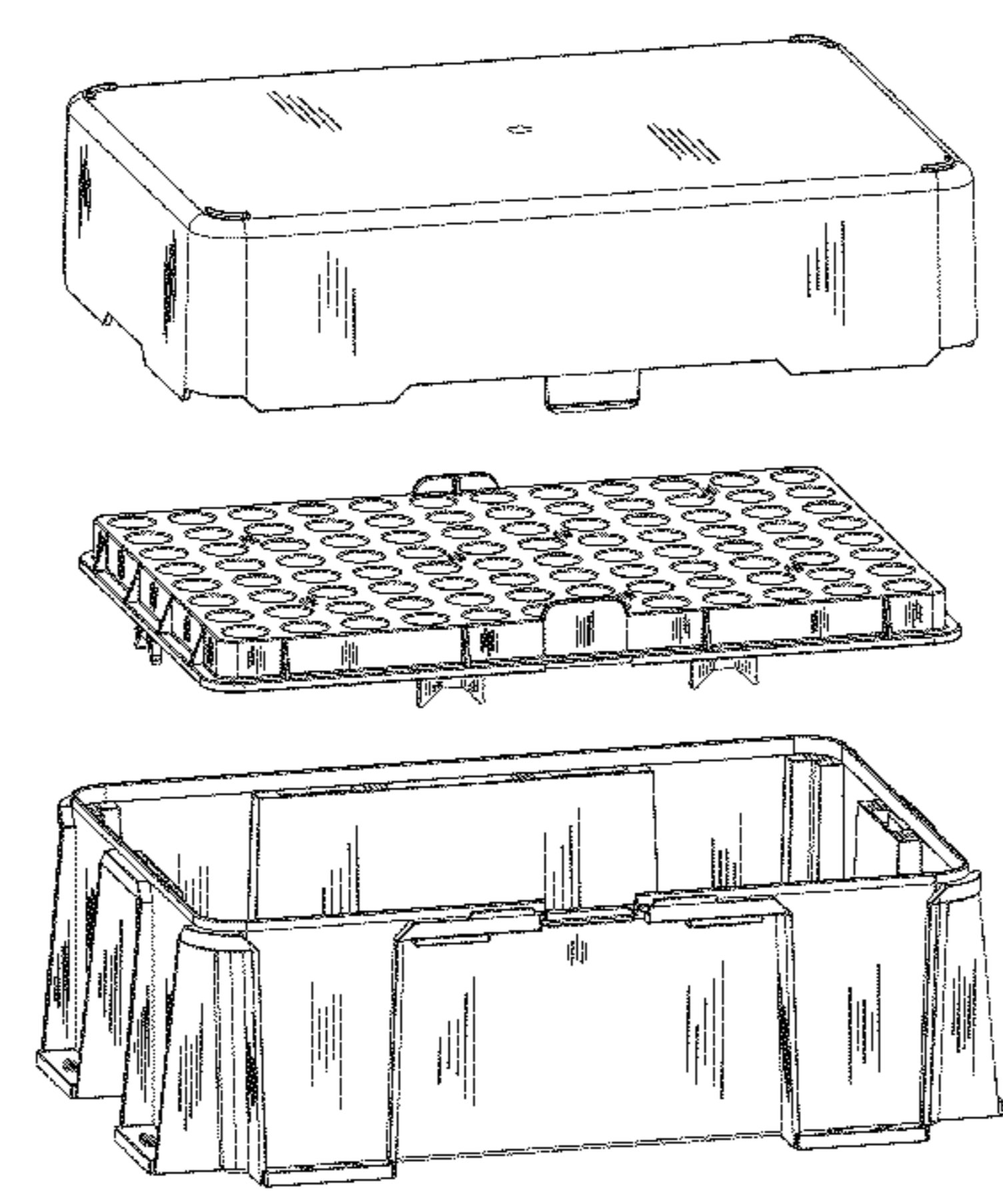
(10) **Patent No.:** **US D724,236 S**  
(45) **Date of Patent:** **\*\* Mar. 10, 2015**

- (54) **PIPETTE TIP RACK ASSEMBLY**
- (71) Applicant: **Biotix, Inc.**, San Diego, CA (US)
- (72) Inventors: **Arta Motadel**, San Diego, CA (US);  
**Phillip Chad Hairfield**, San Diego, CA (US);  
**Peter Paul Blaszcak**, San Diego, CA (US)
- (73) Assignee: **Biotix, Inc.**, San Diego, CA (US)
- (\*\*) Term: **14 Years**
- (21) Appl. No.: **29/446,279**
- (22) Filed: **Feb. 21, 2013**
- (51) **LOC (10) Cl.** ..... **24-02**
- (52) **U.S. Cl.**  
USPC ..... **D24/227**
- (58) **Field of Classification Search**  
USPC ..... D24/108, 127-130, 216, 222, 224-232;  
422/63, 65, 99-104, 250, 266, 297,  
422/300, 476, 526, 562, 564; 211/69,  
211/71-72, 74, 71.01, 85.18; D19/37;  
206/562, 508, 723; 414/404; 221/92  
See application file for complete search history.

|                   |         |                        |           |
|-------------------|---------|------------------------|-----------|
| 6,007,779 A       | 12/1999 | Lemieux et al.         |           |
| D420,142 S        | 2/2000  | Ballin et al.          |           |
| D420,743 S        | 2/2000  | Monks                  |           |
| 6,019,225 A       | 2/2000  | Kalmakis et al.        |           |
| 6,221,317 B1      | 4/2001  | Carl                   |           |
| D448,854 S        | 10/2001 | Kuiper et al.          |           |
| D461,554 S        | 8/2002  | Lafond et al.          |           |
| D466,219 S        | 11/2002 | Wynschenk et al.       |           |
| 6,534,015 B1      | 3/2003  | Viot et al.            |           |
| 6,875,405 B1      | 4/2005  | Mathus et al.          |           |
| 7,036,667 B2 *    | 5/2006  | Greenstein et al. .... | 206/723   |
| D529,622 S        | 10/2006 | Hadjis et al.          |           |
| D533,948 S        | 12/2006 | Schaub et al.          |           |
| 7,220,590 B2      | 5/2007  | Moritz et al.          |           |
| D556,338 S        | 11/2007 | Coulling et al.        |           |
| D556,339 S        | 11/2007 | Coulling et al.        |           |
| D562,463 S        | 2/2008  | Berndt et al.          |           |
| D574,505 S        | 8/2008  | Muller-Cohn et al.     |           |
| D576,208 S        | 9/2008  | Quercetti              |           |
| D593,207 S        | 5/2009  | Ayliffe                |           |
| D632,803 S        | 2/2011  | Motadel et al.         |           |
| D673,293 S *      | 12/2012 | Demas et al. ....      | D24/226   |
| D673,294 S *      | 12/2012 | Motadel ....           | D24/227   |
| D673,295 S *      | 12/2012 | Motadel ....           | D24/227   |
| D673,296 S *      | 12/2012 | Fry et al. ....        | D24/227   |
| D677,400 S *      | 3/2013  | Blaettler et al. ....  | D24/230   |
| 8,430,251 B2 *    | 4/2013  | Fry et al. ....        | 211/85.18 |
| 8,460,622 B2 *    | 6/2013  | Motadel ....           | 422/564   |
| D690,027 S *      | 9/2013  | Motadel ....           | D24/227   |
| 8,590,736 B2 *    | 11/2013 | Motadel ....           | 221/92    |
| D697,227 S *      | 1/2014  | Motadel ....           | D24/227   |
| D699,370 S *      | 2/2014  | Motadel et al. ....    | D24/229   |
| D699,371 S *      | 2/2014  | Williams et al. ....   | D24/230   |
| D699,859 S *      | 2/2014  | Motadel ....           | D24/227   |
| 2001/0012492 A1 * | 8/2001  | Acosta et al. ....     | 422/65    |
| 2003/0129089 A1   | 7/2003  | Arnold et al.          |           |
| 2003/0152494 A1   | 8/2003  | Moritz et al.          |           |
| 2004/0141887 A1 * | 7/2004  | Mainquist et al. ....  | 422/102   |
| 2005/0150808 A1   | 7/2005  | Sarna et al.           |           |
| 2006/0045815 A1   | 3/2006  | Hovatter               |           |
| 2006/0093530 A1 * | 5/2006  | Ueda ....              | 422/104   |
| 2008/0240999 A1   | 10/2008 | Timpson et al.         |           |
| 2009/0092520 A1   | 4/2009  | Moulton                |           |
| 2009/0155123 A1   | 6/2009  | Williams et al.        |           |
| 2009/0298129 A1 * | 12/2009 | Spence et al. ....     | 422/100   |
| 2010/0124766 A1 * | 5/2010  | Ng et al. ....         | 422/104   |
| 2010/0166616 A1 * | 7/2010  | Price ....             | 422/104   |
| 2010/0221151 A1 * | 9/2010  | Motadel et al. ....    | 422/104   |
| 2011/0236278 A1   | 9/2011  | Motadel et al.         |           |
| 2014/0234182 A1   | 8/2014  | Motadel et al.         |           |

(56) **References Cited**  
U.S. PATENT DOCUMENTS

|               |         |                    |         |
|---------------|---------|--------------------|---------|
| D264,810 S    | 6/1982  | Voltmann           |         |
| D271,239 S    | 11/1983 | Lemieux et al.     |         |
| 4,483,925 A   | 11/1984 | Noack              |         |
| 4,676,377 A * | 6/1987  | Rainin et al. .... | 206/508 |
| D337,165 S    | 7/1993  | Malinoff           |         |
| 5,366,088 A   | 11/1994 | Hill et al.        |         |
| 5,392,914 A   | 2/1995  | Lemieux et al.     |         |
| 5,470,538 A * | 11/1995 | Lind ....          | 422/562 |
| 5,487,872 A   | 1/1996  | Hafeman et al.     |         |
| 5,588,792 A * | 12/1996 | Tiso ....          | 414/404 |
| 5,622,676 A * | 4/1997  | Lind ....          | 422/564 |
| 5,642,816 A   | 7/1997  | Kelly et al.       |         |
| 5,779,984 A * | 7/1998  | Kelly et al. ....  | 422/564 |
| D411,308 S    | 6/1999  | Pandey et al.      |         |
| D414,271 S    | 9/1999  | Mendoza            |         |
| D414,561 S *  | 9/1999  | Escoffier ....     | D24/216 |
| D416,330 S *  | 11/1999 | Brown ....         | D24/224 |



## FOREIGN PATENT DOCUMENTS

|    |                |         |
|----|----------------|---------|
| EP | 0 069 419      | 3/1985  |
| FR | 2 784 076      | 4/2000  |
| GB | 1 522 128      | 8/1978  |
| JP | 10-512196      | 11/1998 |
| JP | 2002-528248    | 9/2002  |
| WO | WO 03/064271   | 8/2003  |
| WO | WO 2010/008737 | 1/2010  |
| WO | WO 2010/054337 | 5/2010  |
| WO | WO 2010/085669 | 7/2010  |
| WO | WO 2011/116230 | 9/2011  |
| WO | WO 2011/135085 | 11/2011 |

## OTHER PUBLICATIONS

Office Action mailed on Jun. 25, 2013 in U.S. Appl. No. 13/050,780, filed Mar. 17, 2011 and published as US 2011/0236278 on Sep. 29, 2011.

Corning Deck Works Pipette Tips, Product Brochure 2010.

International Search Report and Written Opinion dated Nov. 25, 2011 in International Application No. PCT/US2011/02881 filed: Mar. 17, 2011, and published as: WO 2011/116230 on Sep. 9, 2011.

Office Action mailed on: Oct. 7, 2010 in Design U.S. Appl. No. 29/357,908, filed Mar. 18, 2010 and Issued as: D632,803 on Feb. 15, 2011.

Office Action mailed: Sep. 12, 2012 in U.S. Appl. No. 13/050,780, filed Mar. 17, 2011 and published as: 2011/0236278 on Sep. 29, 2011.

Office Action mailed on Mar. 27, 2014 in U.S. Appl. No. 13/773,505, filed Feb. 21, 2013.

Office Action mailed on Jun. 6, 2014 in U.S. Appl. No. 13/050,780, filed Mar. 17, 2011 and published as US 2011/0236278 on Sep. 29, 2011.

Office Action mailed on Oct. 2, 2013 in Design U.S. Appl. No. 29/385,452, filed Feb. 14, 2011.

International Search Report and Written Opinion dated Jun. 12, 2014 in International Application No. PCT/US2014/017409, filed on Feb. 20, 2014 and published as WO 2014/130679 on Aug. 28, 2014.

Extended European Search Report dated Jul. 4, 2014 in European Patent Application No. EP11757020, filed on Mar. 17, 2011 and published as EP 2 547 450 on Jan. 23, 2013.

Office Action mailed on Oct. 14, 2014 in U.S. Appl. No. 13/773,505, filed Feb. 21, 2013 and published as US 2014-0234182 on Aug. 21, 2014.

\* cited by examiner

*Primary Examiner* — T. Chase Nelson

*Assistant Examiner* — Mark Cavanna

(74) *Attorney, Agent, or Firm* — Grant IP, Inc.

## (57) CLAIM

The ornamental design for a pipette tip rack assembly, as shown and described.

## DESCRIPTION

This application is related to U.S. application Ser. No. 13/773,505 filed on Feb. 21, 2013, entitled Pipette Tip Rack naming Arta Motadel, Philip Hairfield and Peter Blaszcak as inventors. The entire content of the foregoing application is incorporated herein by reference, including all text, tables and drawings.

FIG. 1 is an exploded front perspective view of a pipette tip rack assembly;

FIG. 2 is an exploded rear perspective view thereof;

FIG. 3 is a front perspective view of a pipette tip rack assembly;

FIG. 4 is a front view thereof;

FIG. 5 is a rear view thereof;

FIG. 6 is a right side view thereof;

FIG. 7 is a left side view thereof;

FIG. 8 is a top view thereof;

FIG. 9 is a cross sectional view thereof taken along lines 9-9 of FIG. 8;

FIG. 10 is a cross sectional view thereof taken along lines 10-10 of FIG. 8;

FIG. 11 is a bottom view thereof;

FIG. 12 is a front perspective view of a base of a pipette tip rack base shown separately for clarity of illustration;

FIG. 13 is an enlarged partial view thereof taken from section 13 of FIG. 12;

FIG. 14 is a top perspective view thereof;

FIG. 15 is an enlarged partial view thereof taken from section 15 of FIG. 14;

FIG. 16 is a bottom perspective view thereof;

FIG. 17 is a front view thereof;

FIG. 18 is a back view thereof;

FIG. 19 is a right side view thereof;

FIG. 20 is a left side view thereof;

FIG. 21 is a top view thereof;

FIG. 22 is a cross sectional view thereof taken along lines 22-22 of FIG. 21;

FIG. 23 is an enlarged partial view thereof taken from section 23 of FIG. 22;

FIG. 24 is a cross sectional view thereof taken along lines 24-24 of FIG. 21;

FIG. 25 is an enlarged partial view thereof taken from section 25 of FIG. 24;

FIG. 26 is a bottom view thereof;

FIG. 27 is a top perspective view of a tray of a pipette tip rack tray shown separately for clarity of illustration;

FIG. 28 is a bottom perspective view thereof;

FIG. 29 is a right long side view thereof;

FIG. 30 is a left long side view thereof;

FIG. 31 is a right short side view thereof;

FIG. 32 is a left short side view thereof;

FIG. 33 is a top view thereof;

FIG. 34 is a cross sectional view thereof taken along lines 34-34 of FIG. 33;

FIG. 35 is a cross sectional view thereof taken along lines 35-35 of FIG. 33;

FIG. 36 is a bottom view thereof;

FIG. 37 is top perspective view of a lid of a pipette tip rack lid shown separately for clarity of illustration;

FIG. 38 is a front view thereof;

FIG. 39 is a rear view thereof;

FIG. 40 is a right side view thereof;

FIG. 41 is a left side view thereof;

FIG. 42 is a top view thereof;

FIG. 43 is a cross sectional view thereof taken along lines 43-43 of FIG. 42;

FIG. 44 is an enlarged partial view thereof taken from section 44 of FIG. 43;

FIG. 45 is an enlarged partial view thereof taken from section 45 of FIG. 43;

FIG. 46 is a cross sectional view thereof taken along lines 46-46 of FIG. 42;

FIG. 47 is a bottom view thereof; and,

FIG. 48 is a bottom perspective view thereof.

The two types of broken lines in the drawings are used to clarify and locate sectional, enlarged or exploded views of the pipette tip rack assembly and form no part of the claimed design.

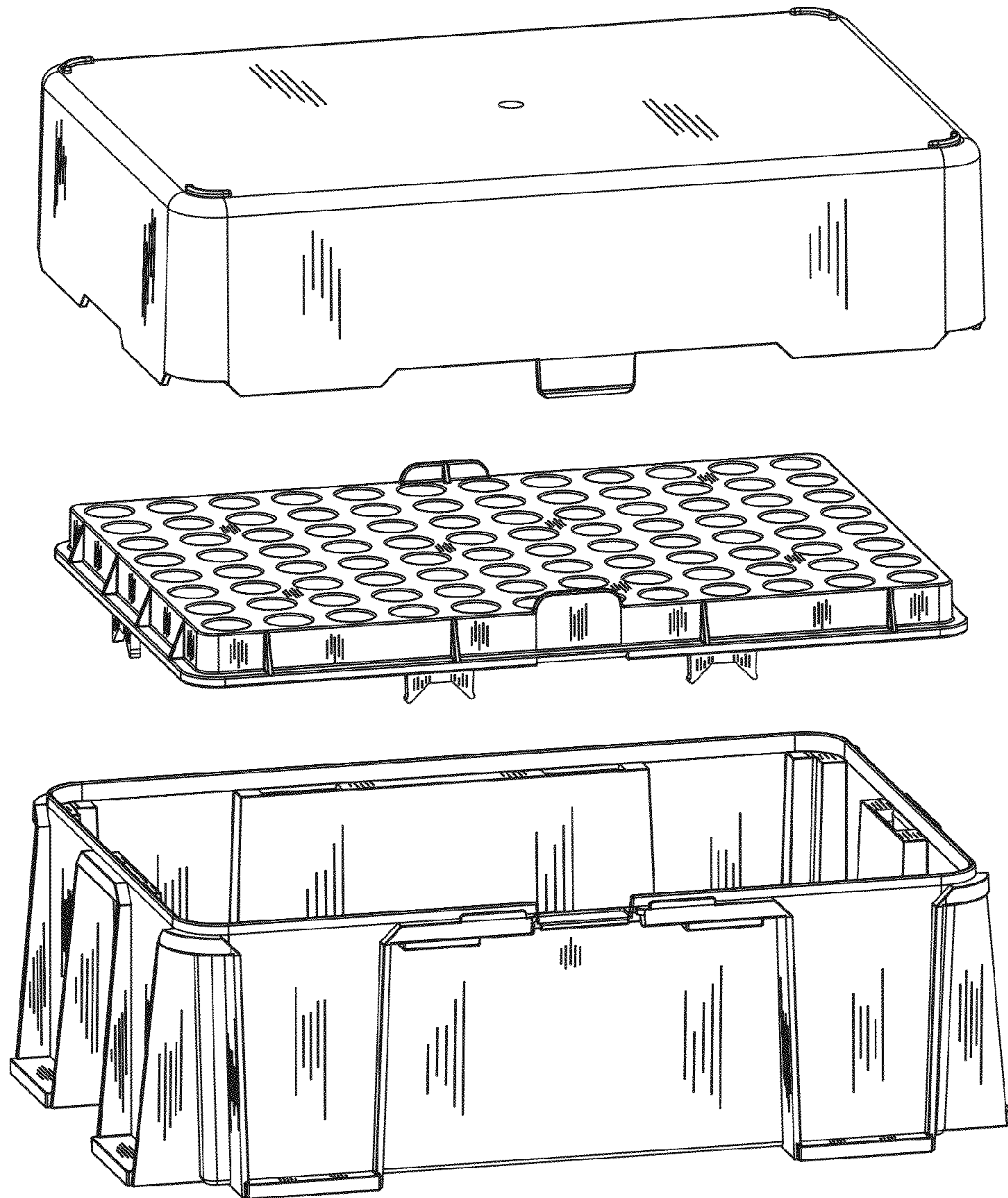


FIG. 1

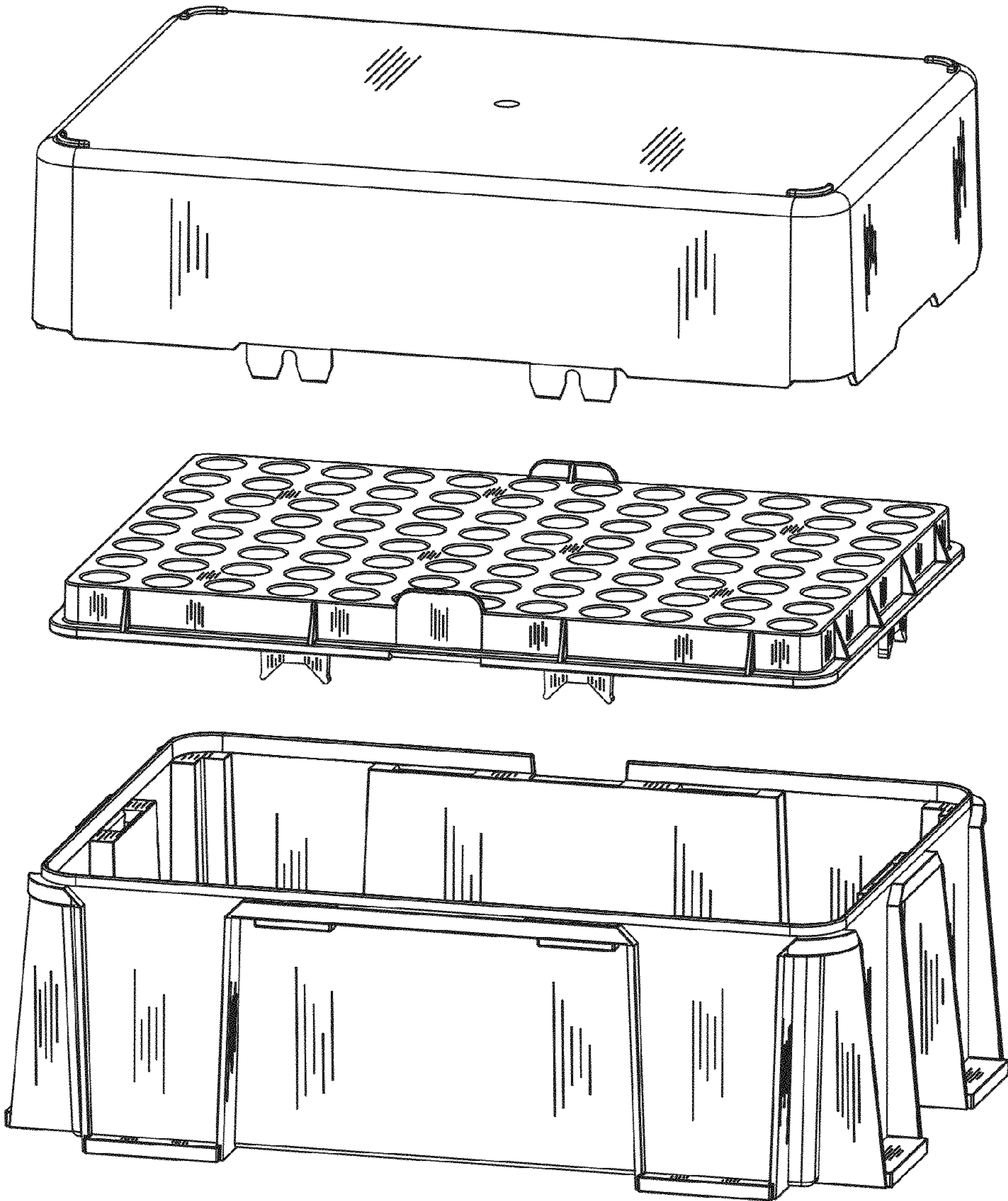


FIG. 2

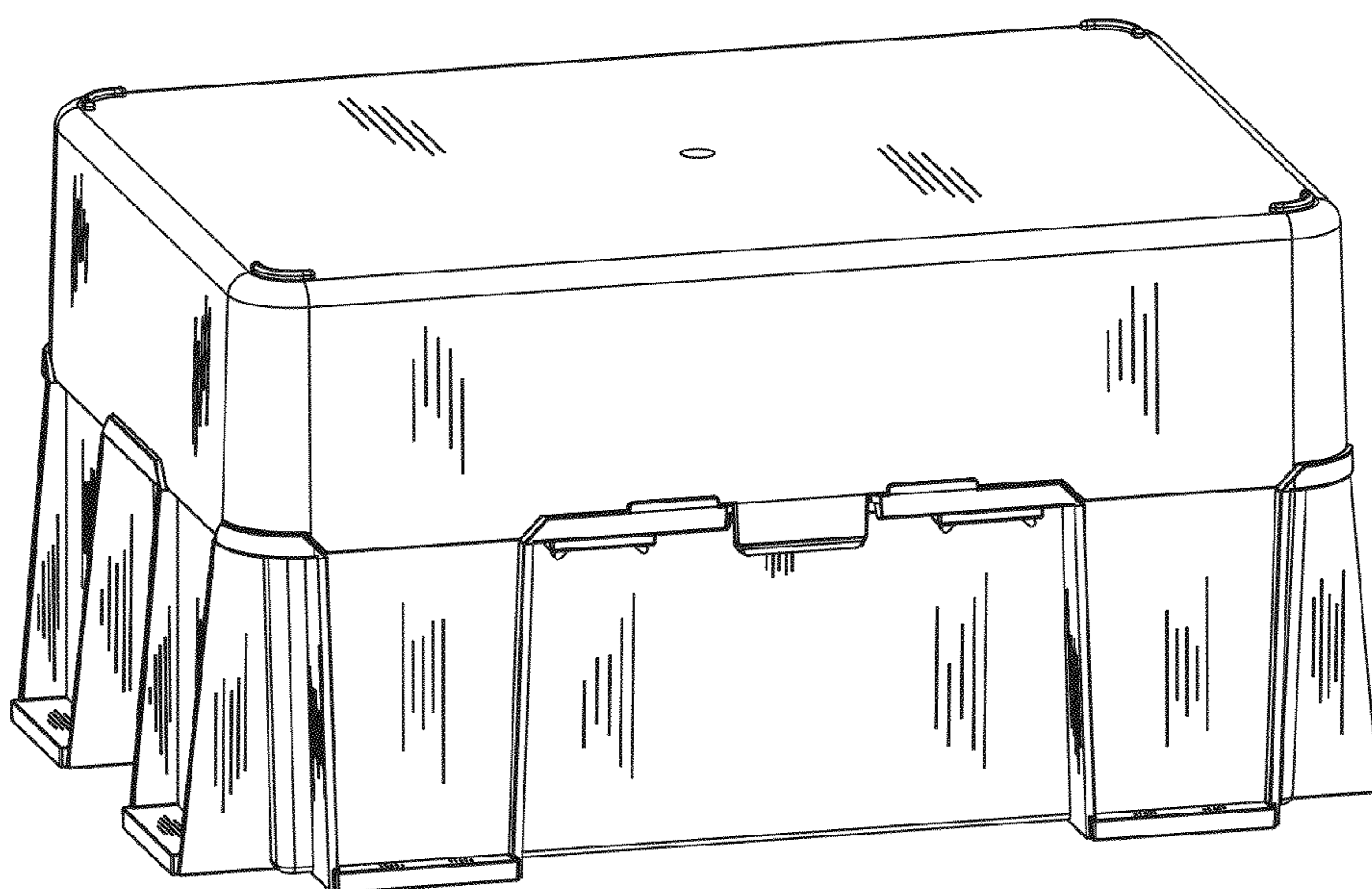


FIG. 3

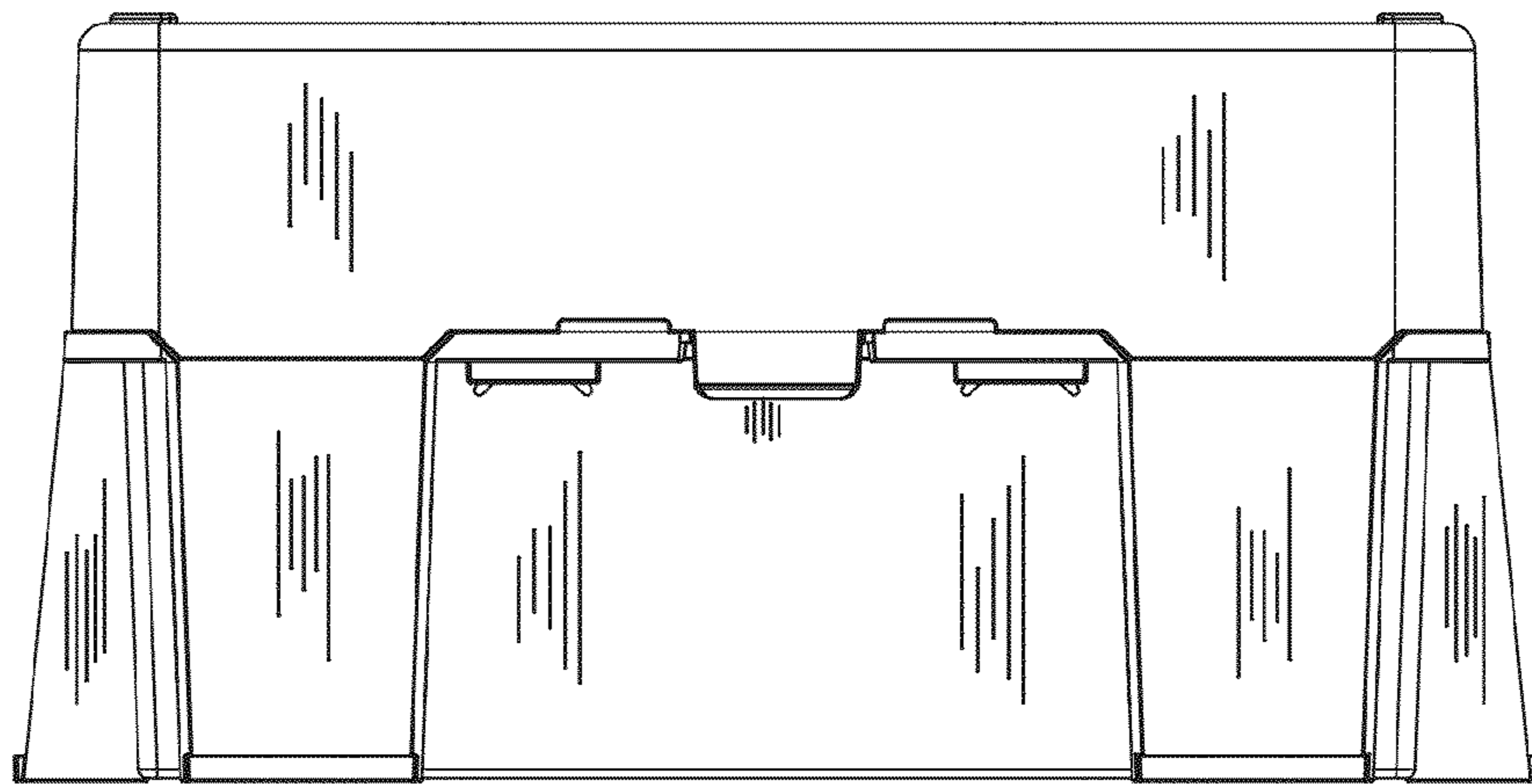


FIG. 4

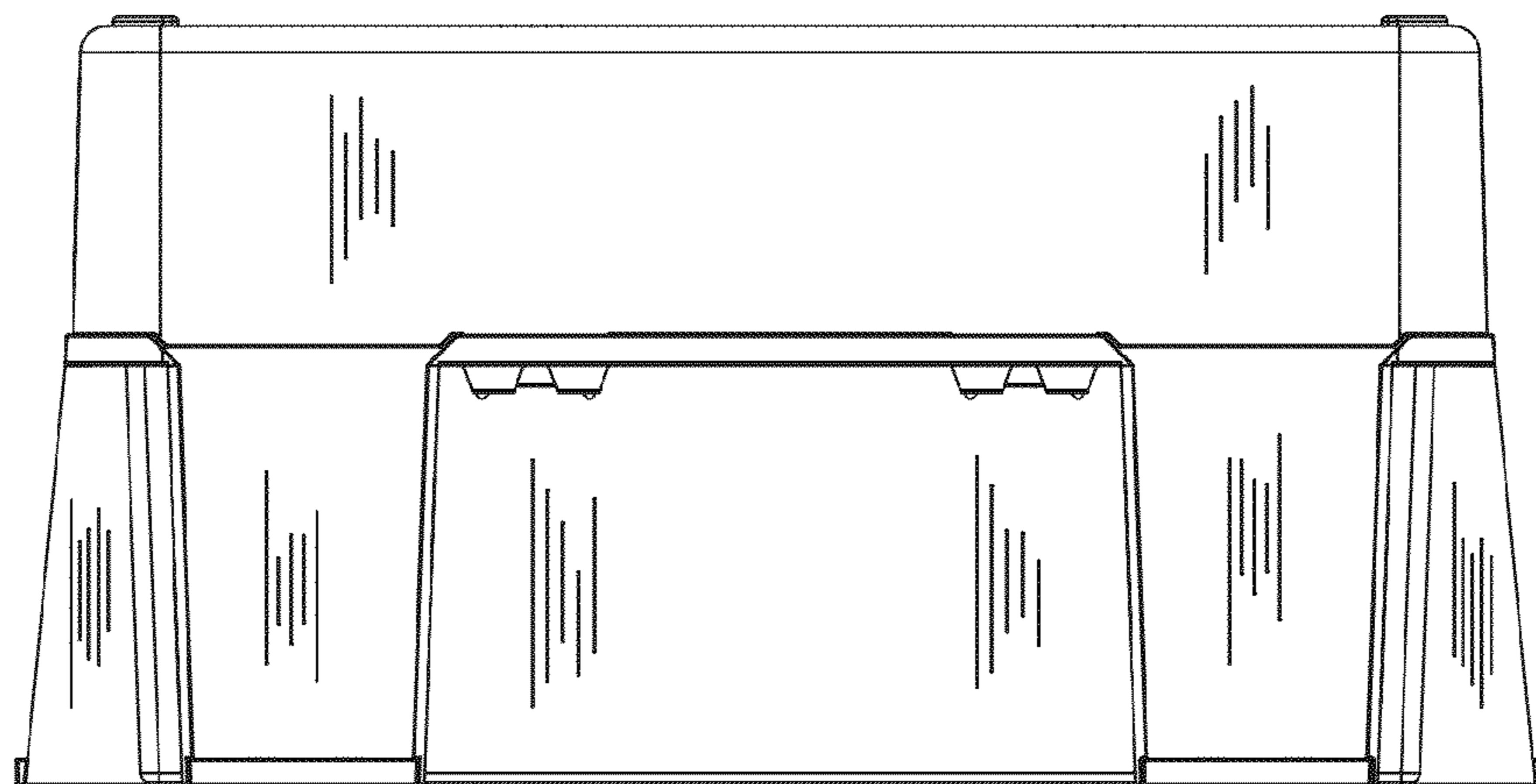


FIG. 5

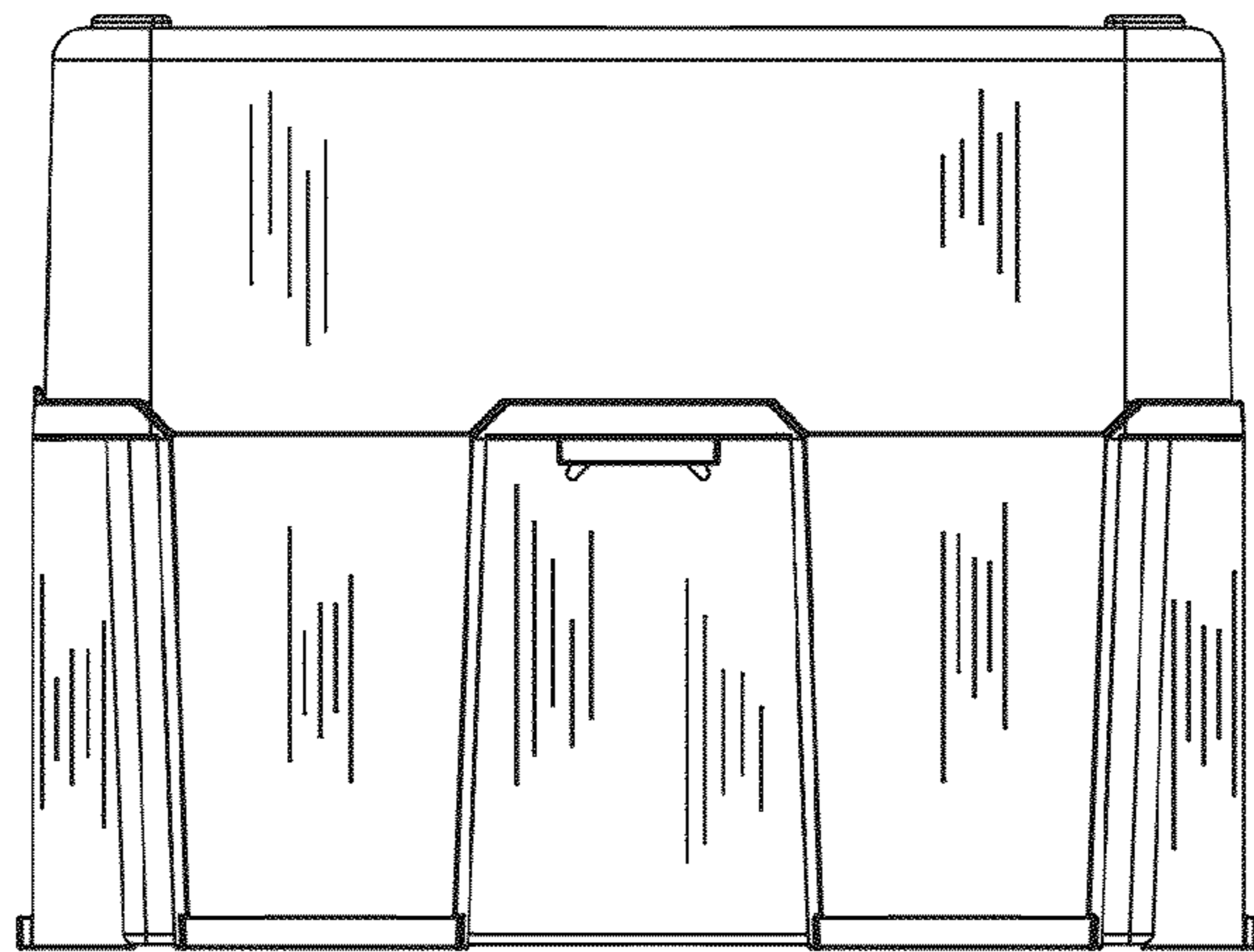


FIG. 6



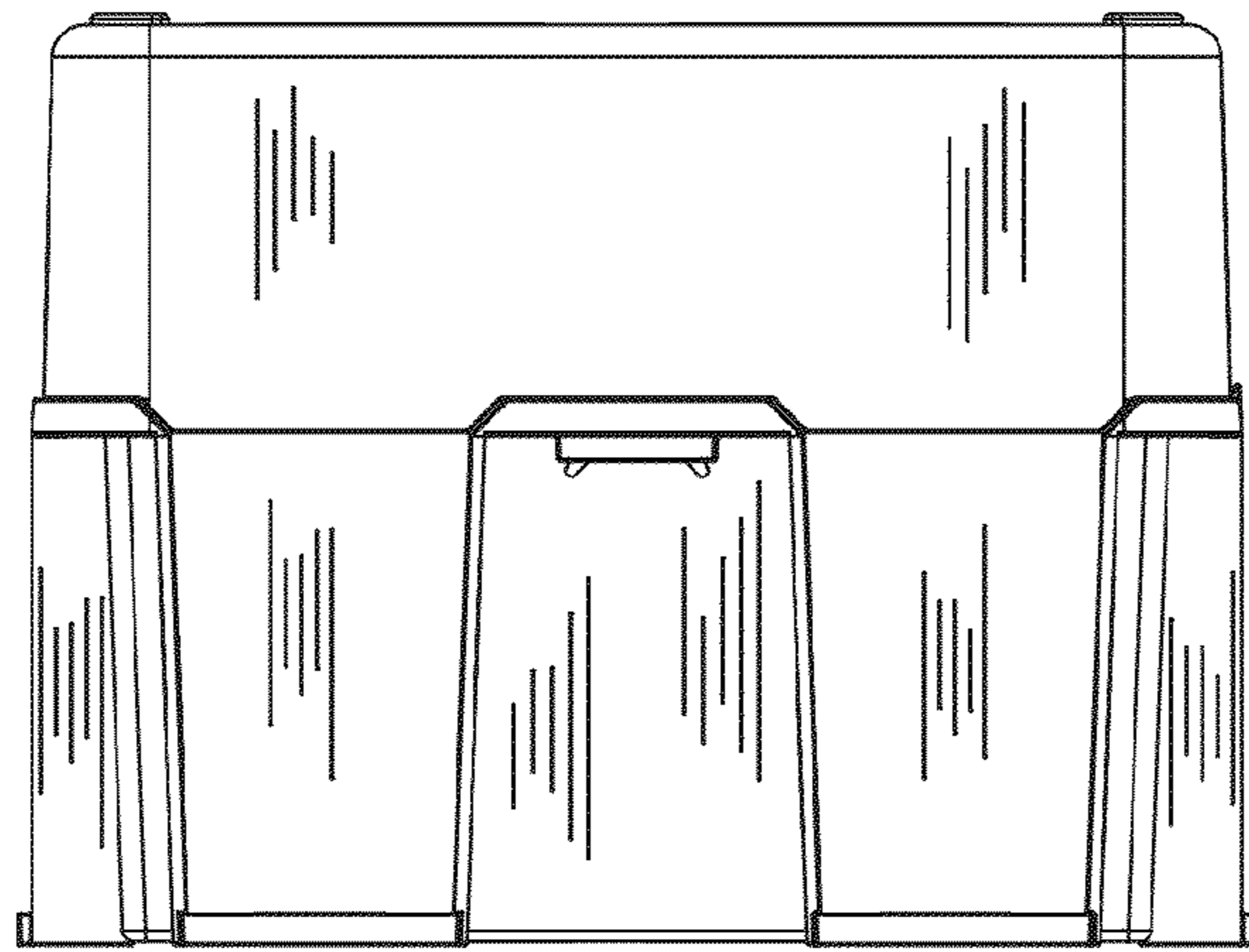


FIG. 7

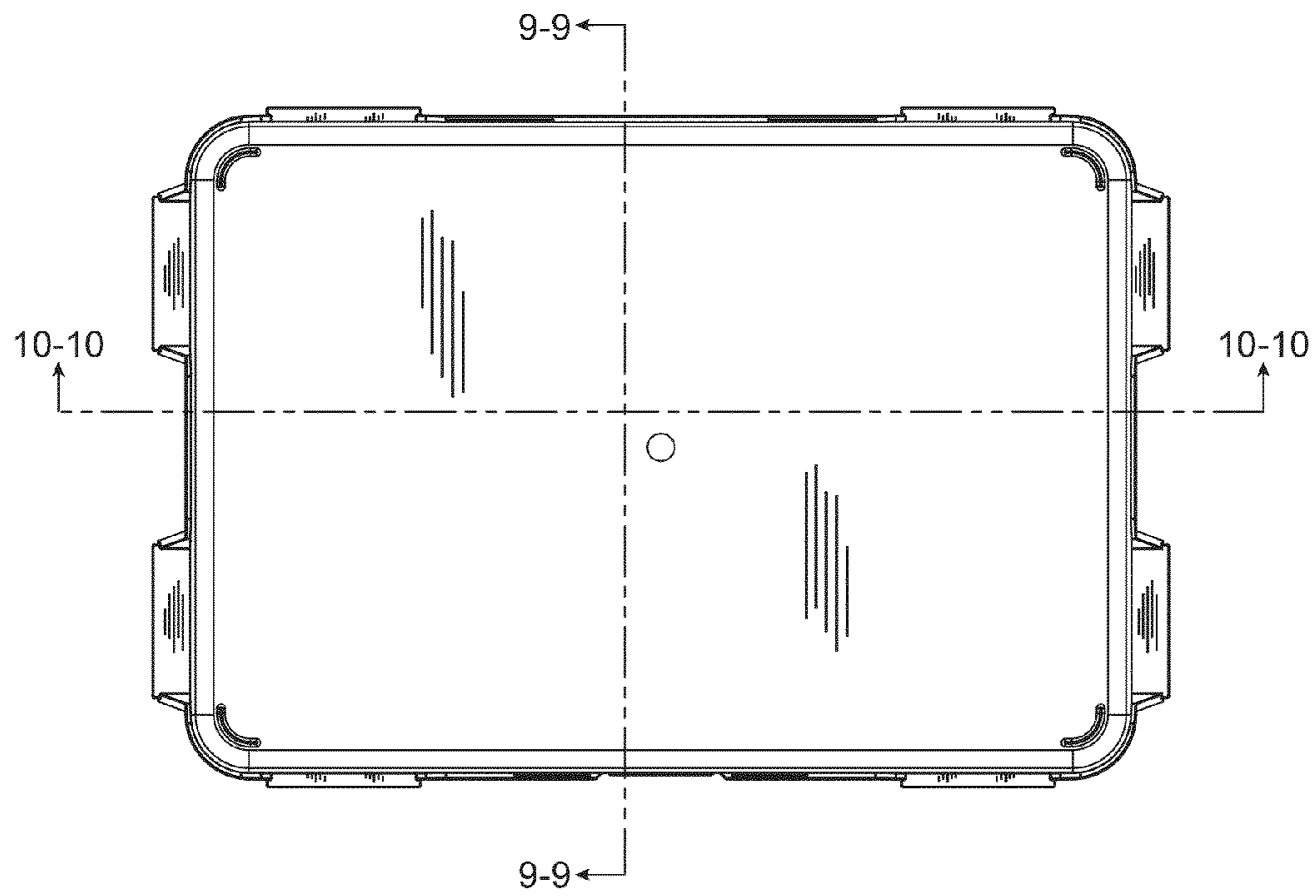


FIG. 8

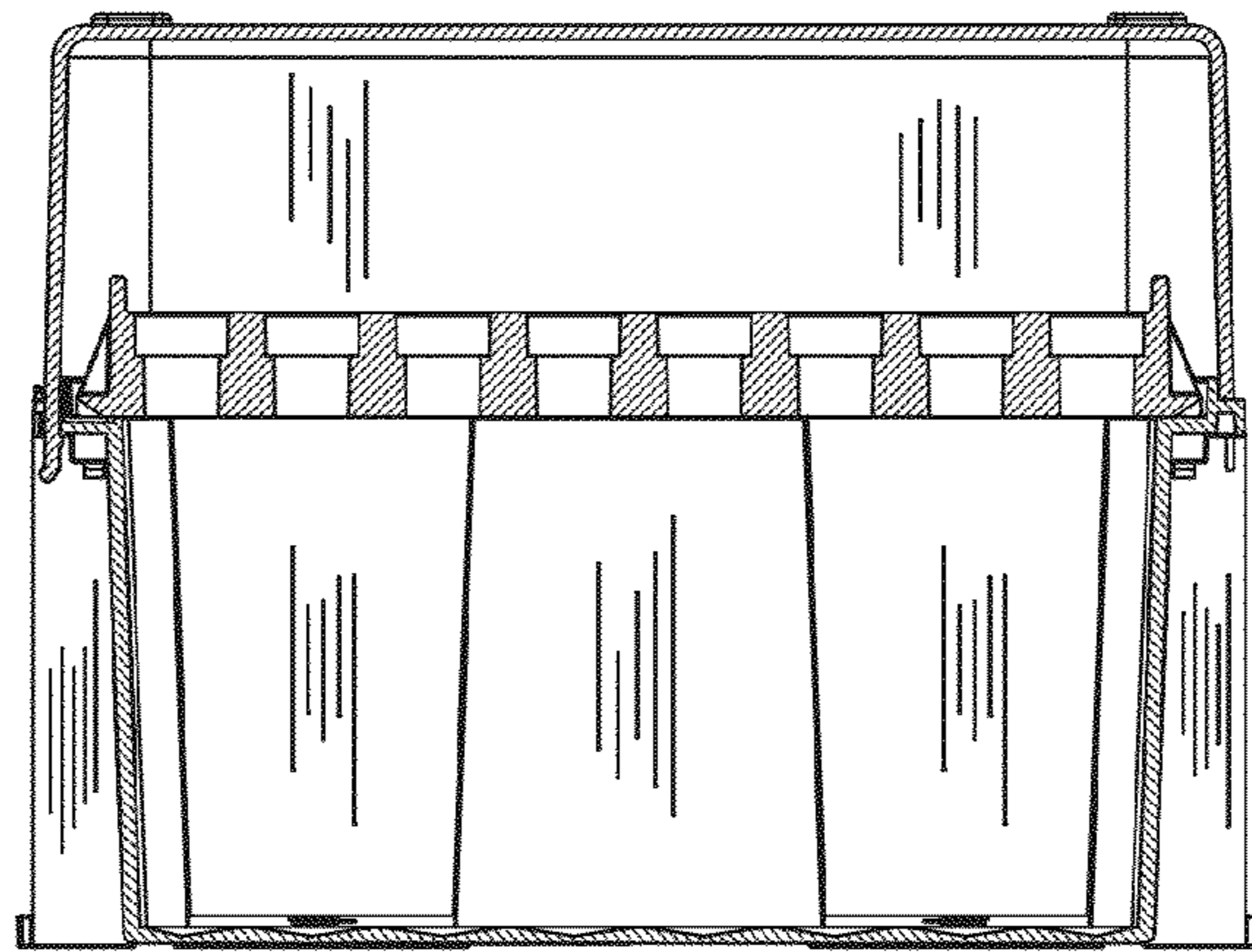


FIG. 9

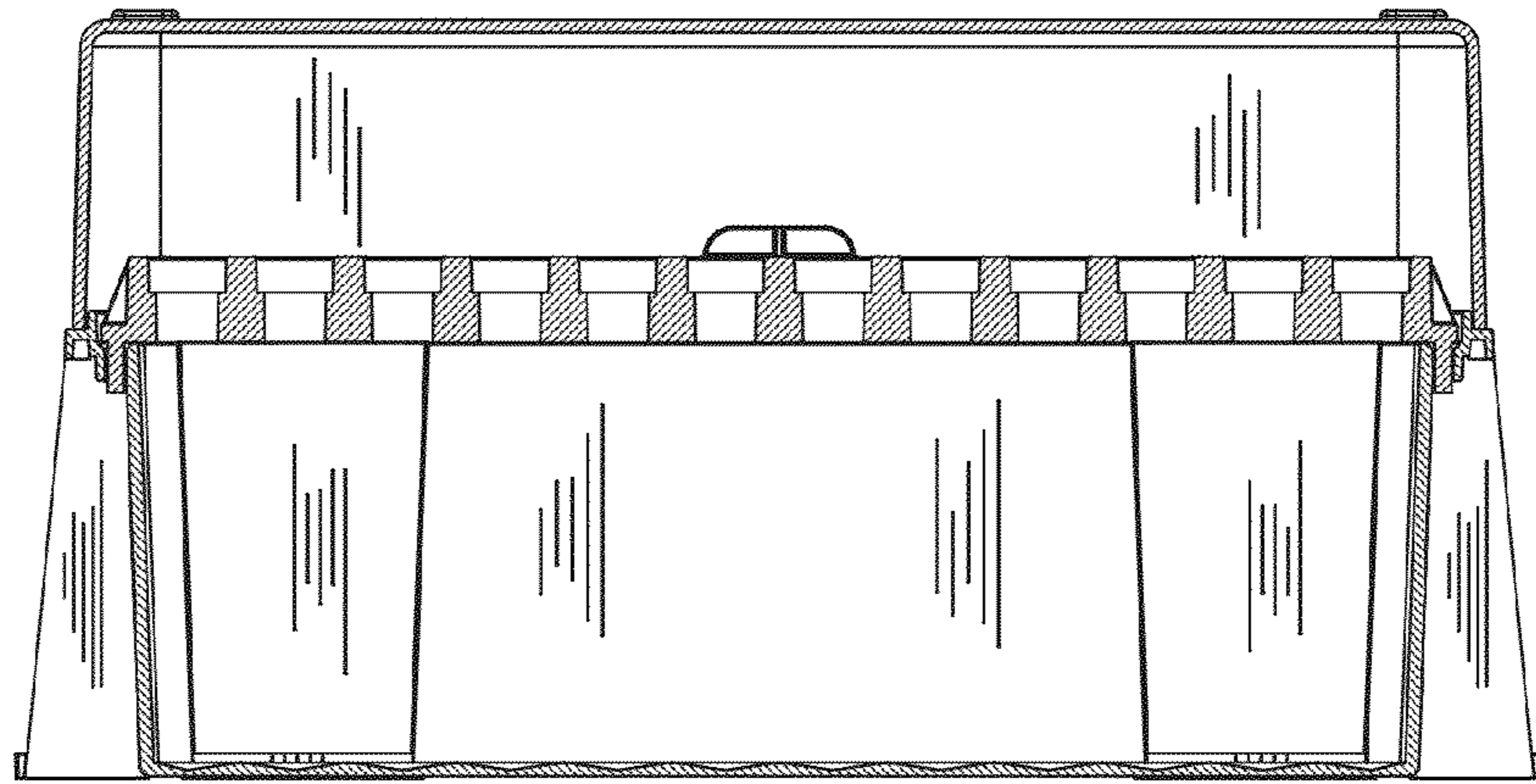


FIG. 10

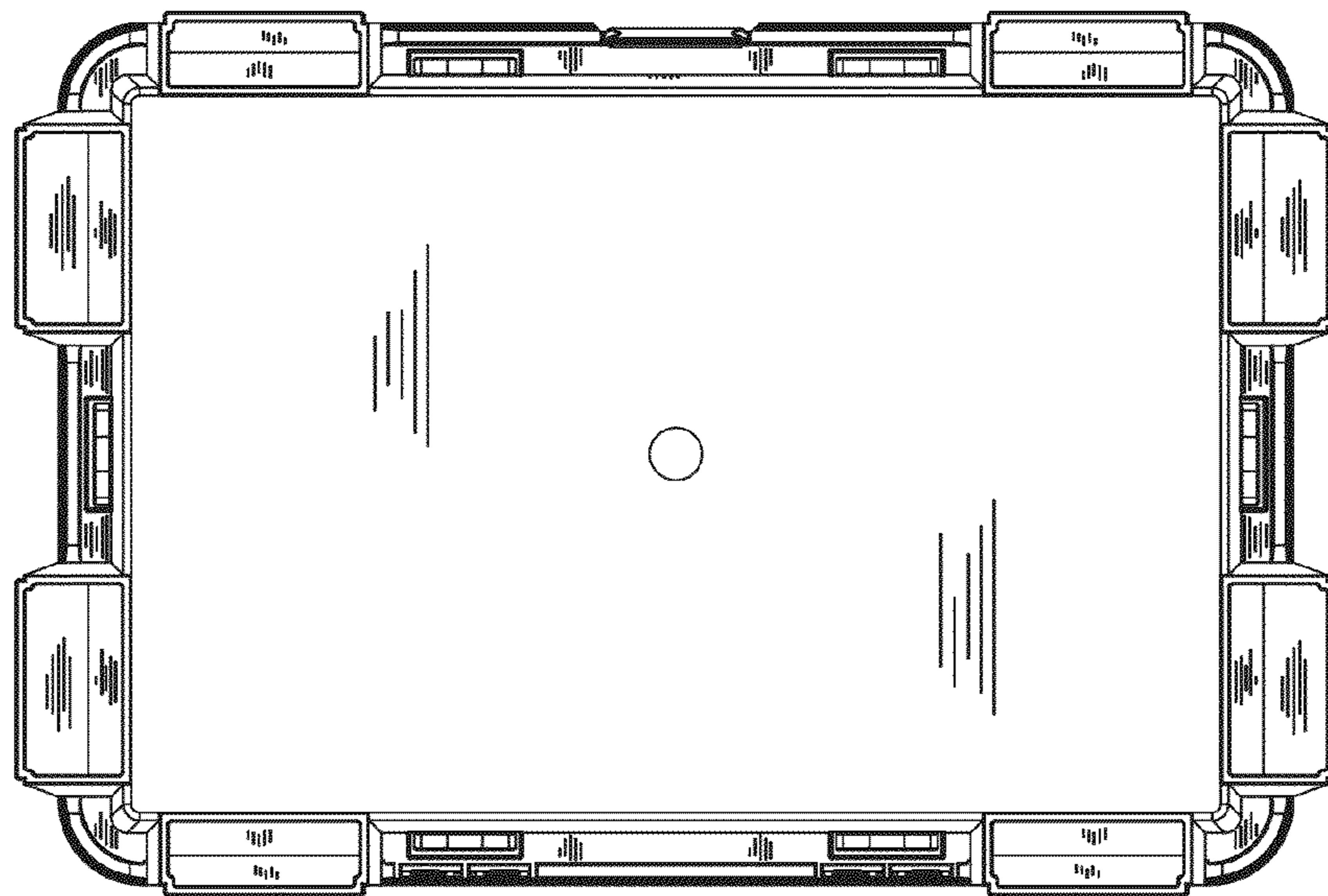


FIG. 11

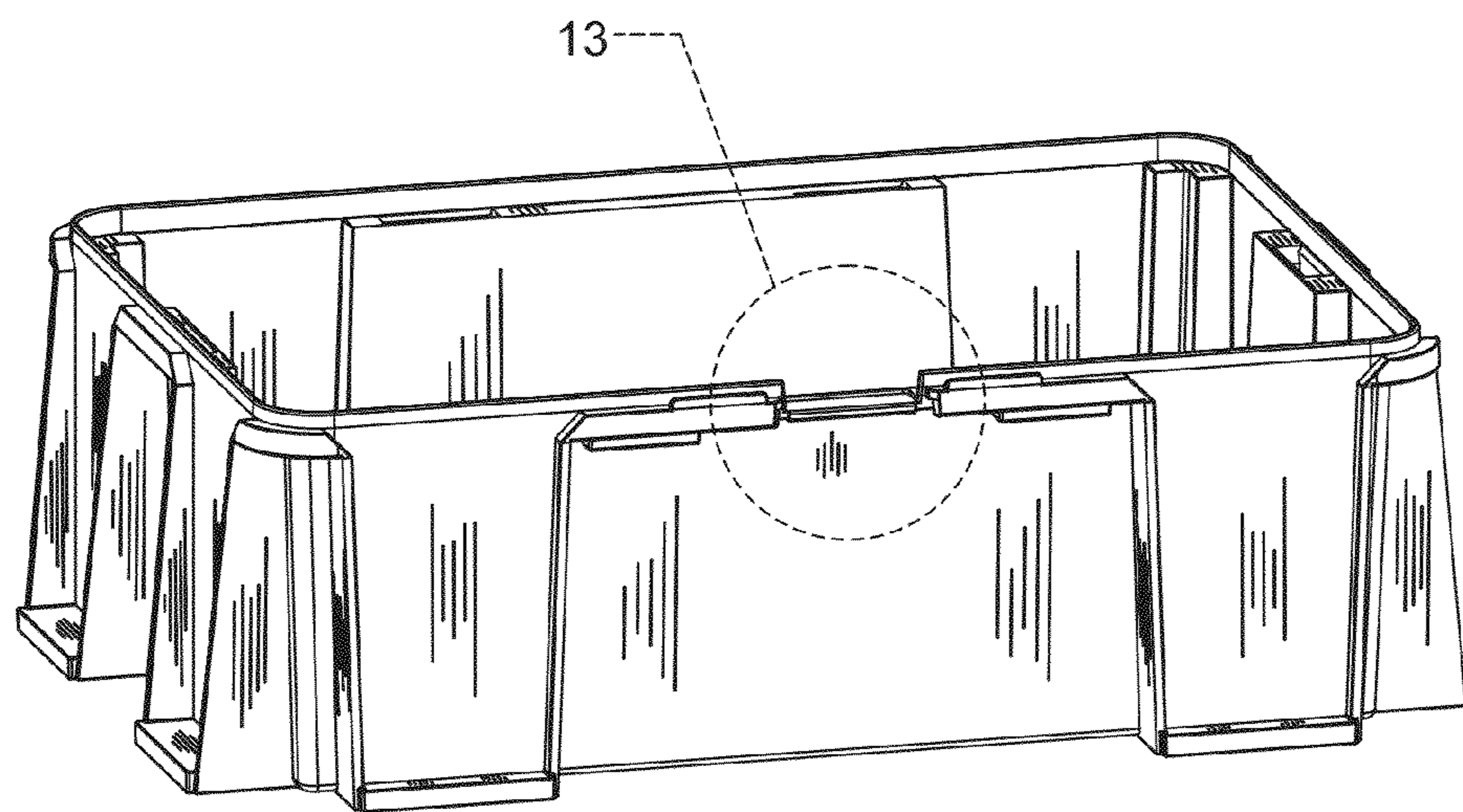


FIG. 12

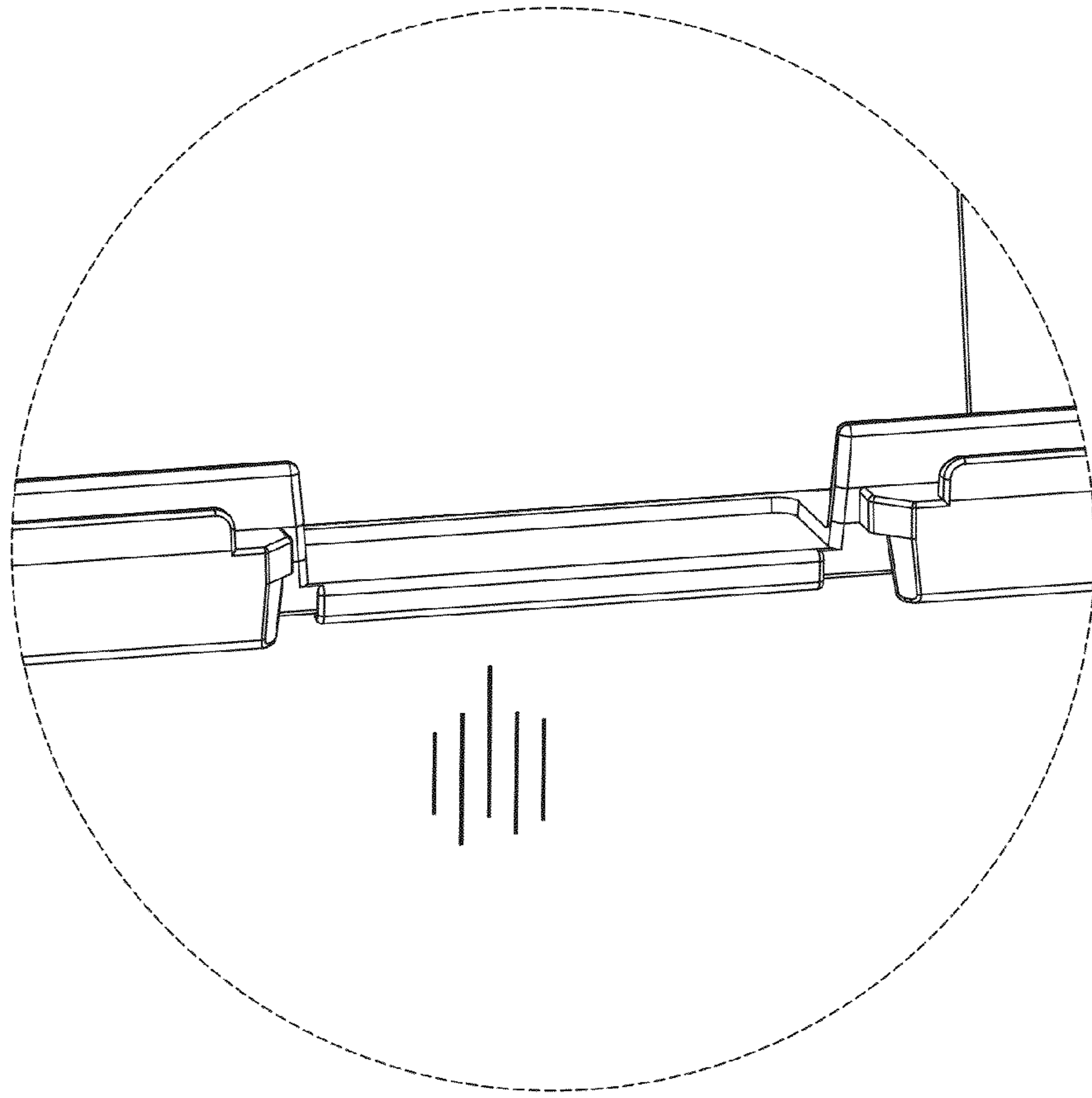


FIG. 13

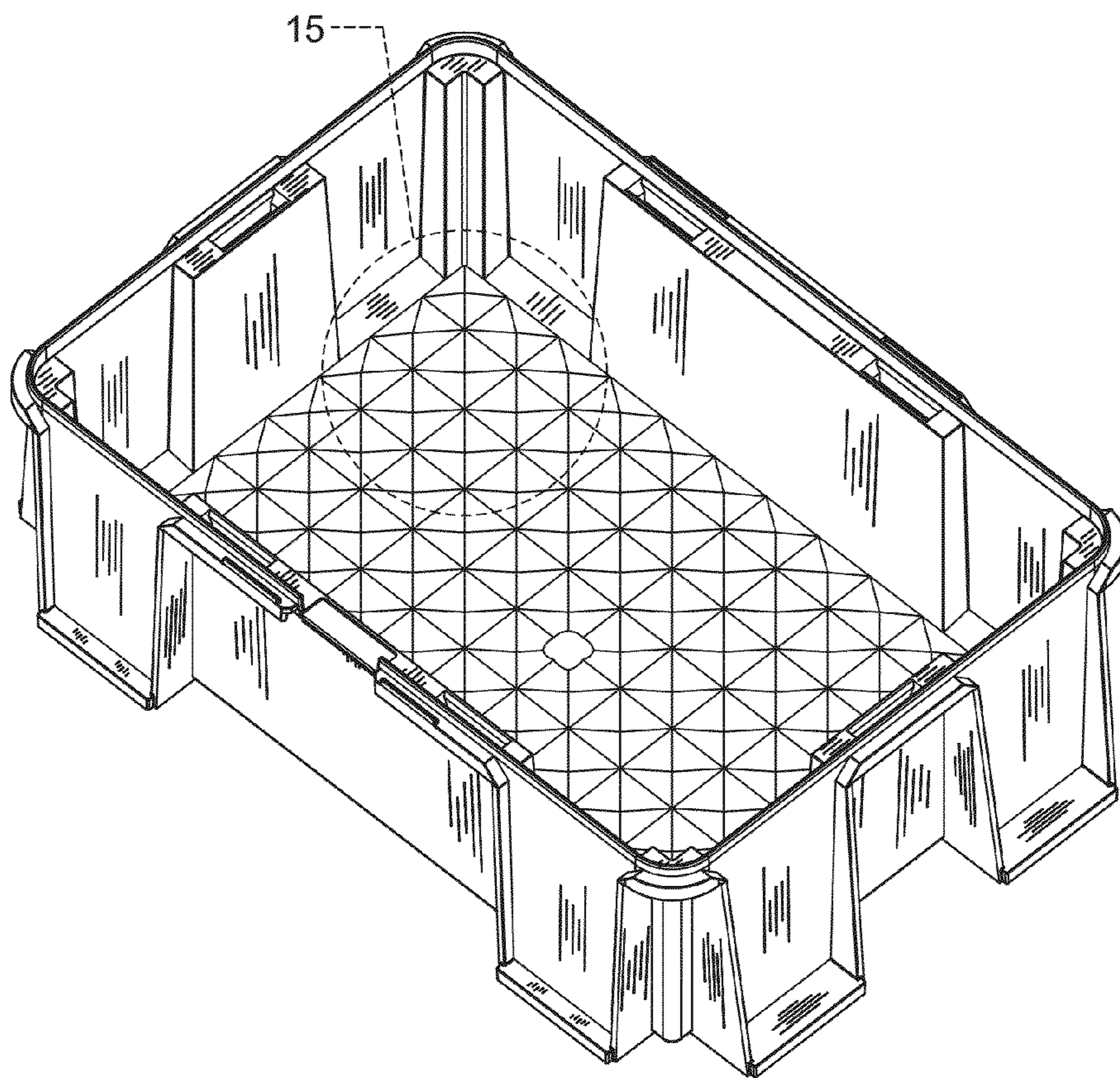


FIG. 14



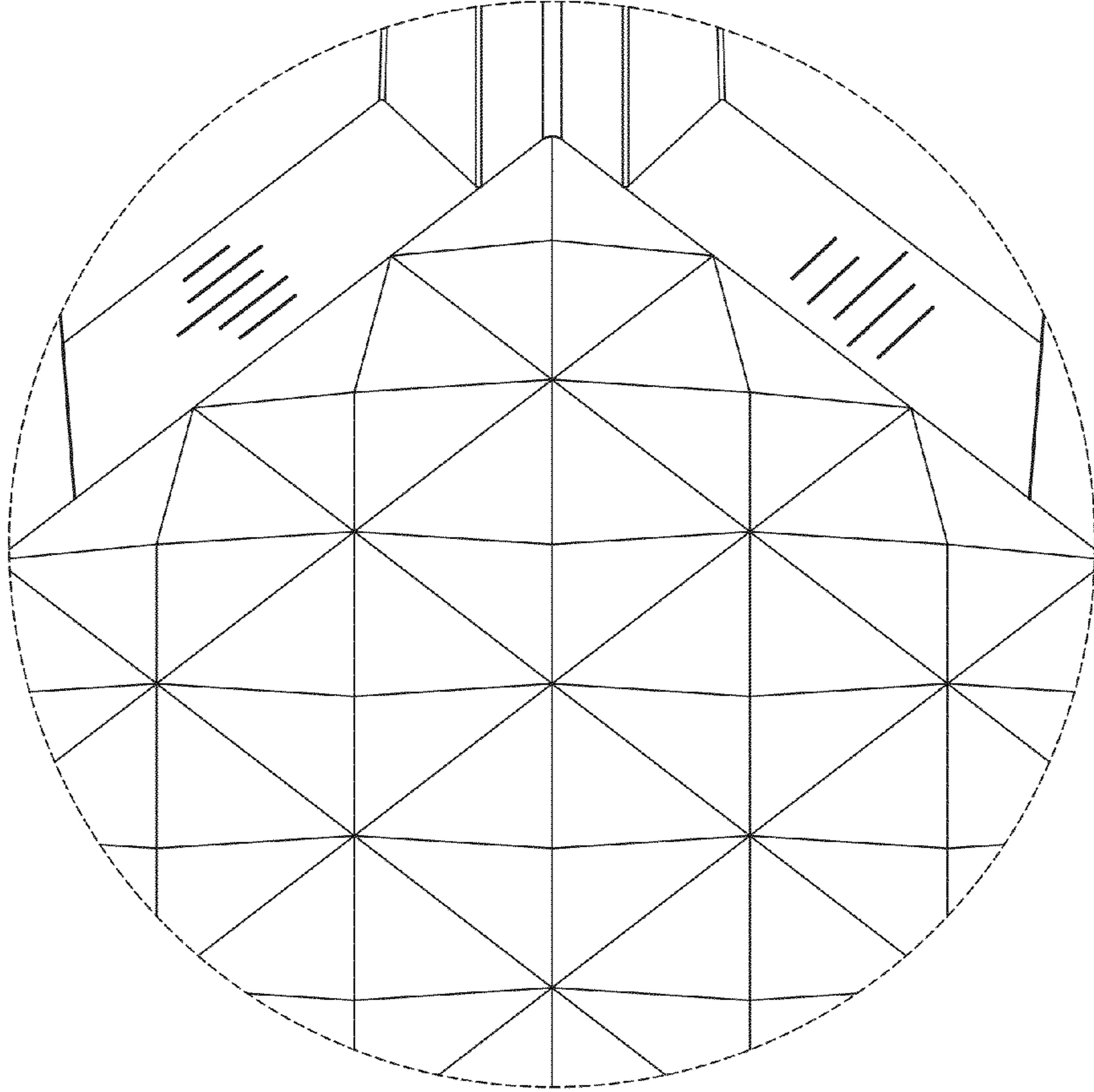


FIG. 15

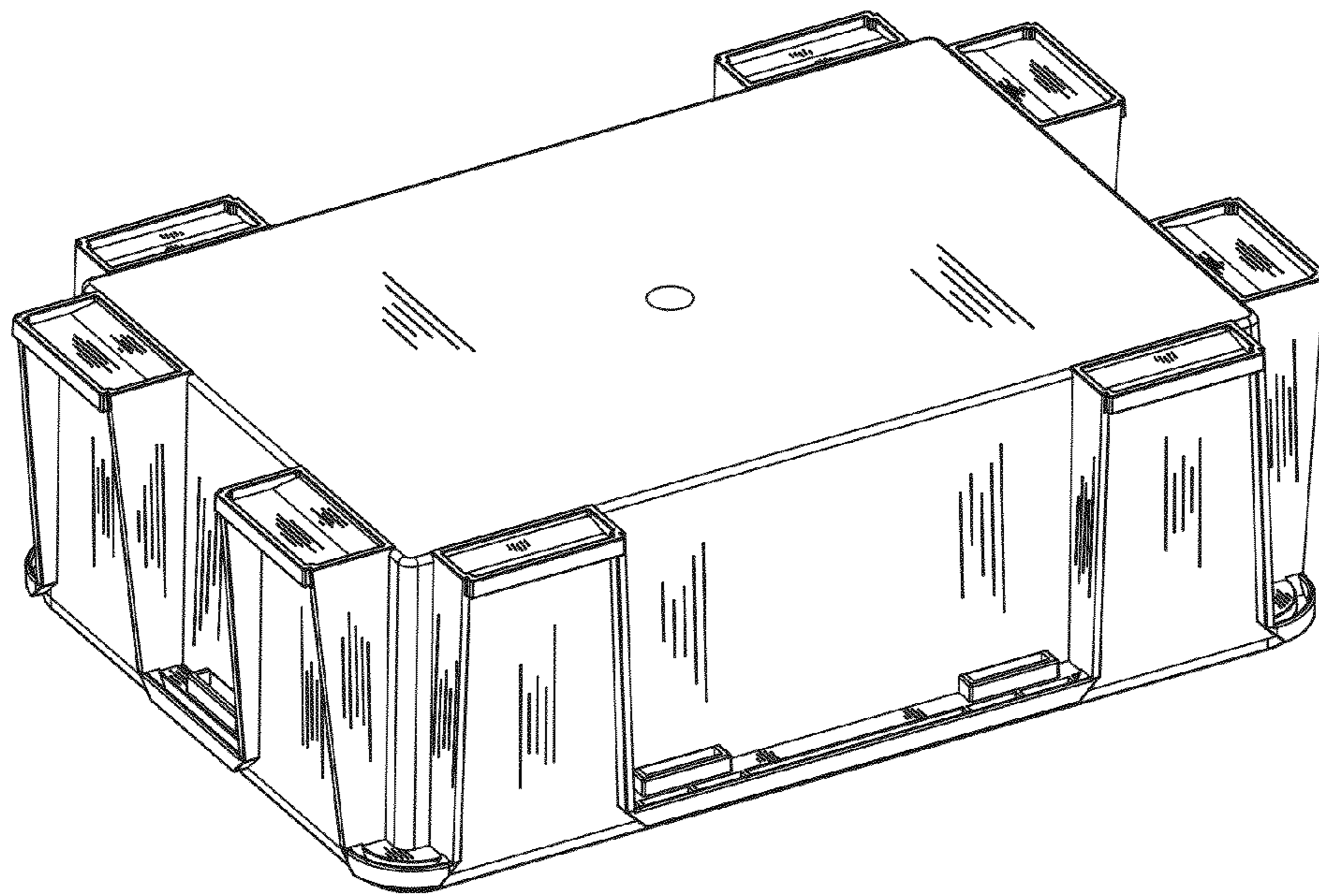


FIG. 16

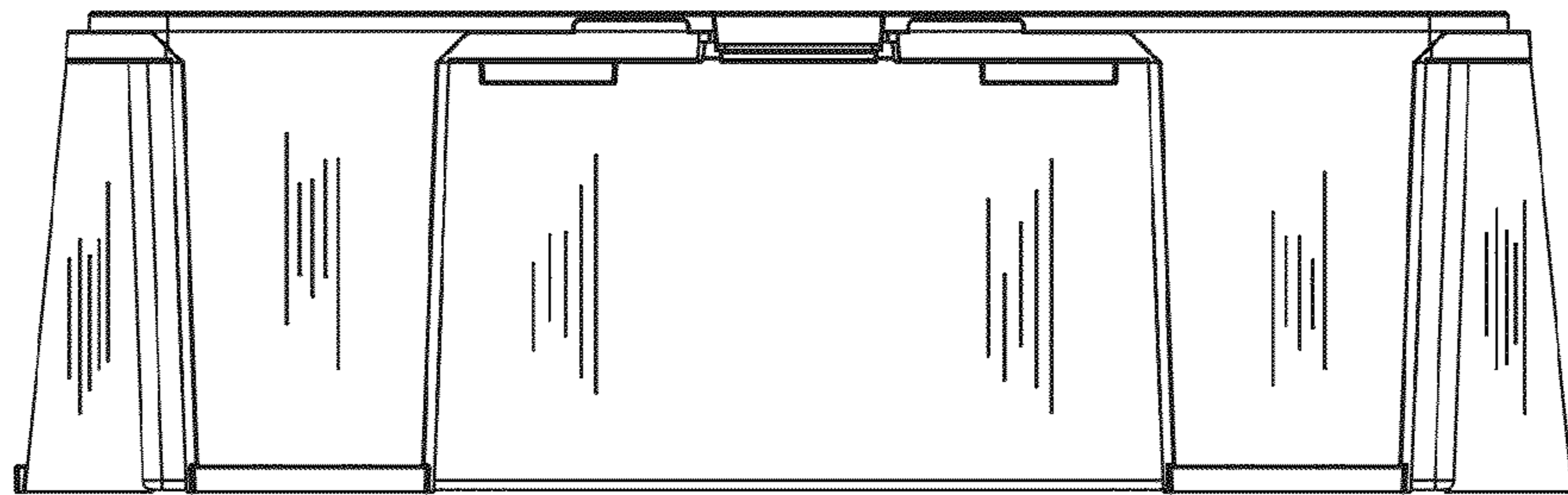


FIG. 17

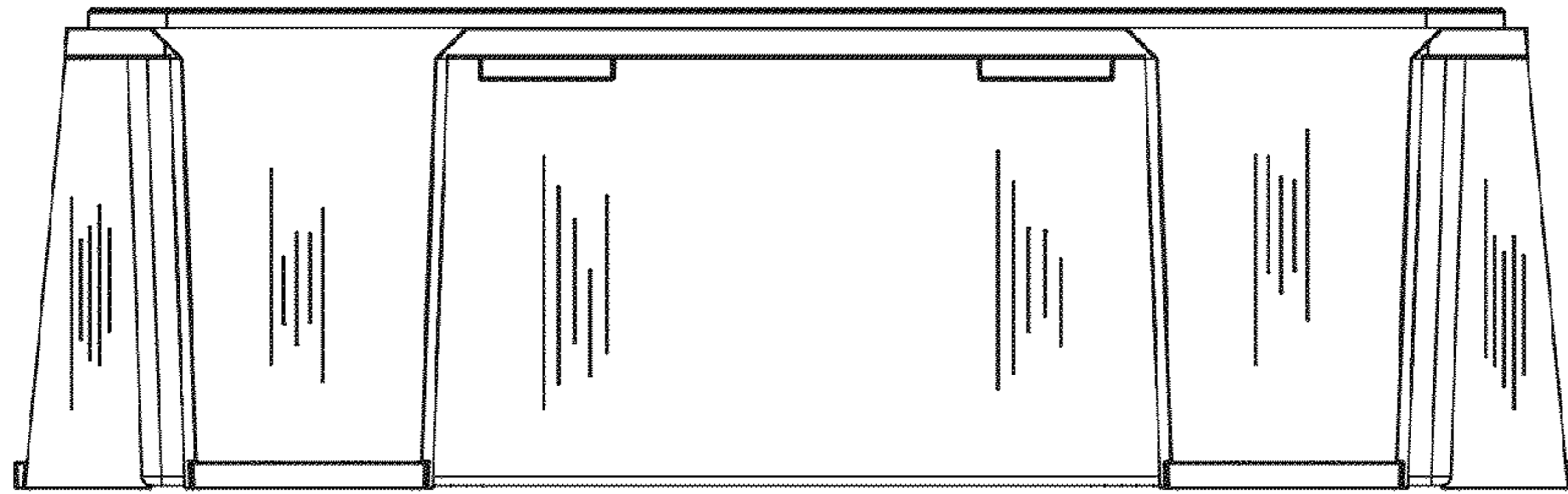


FIG. 18

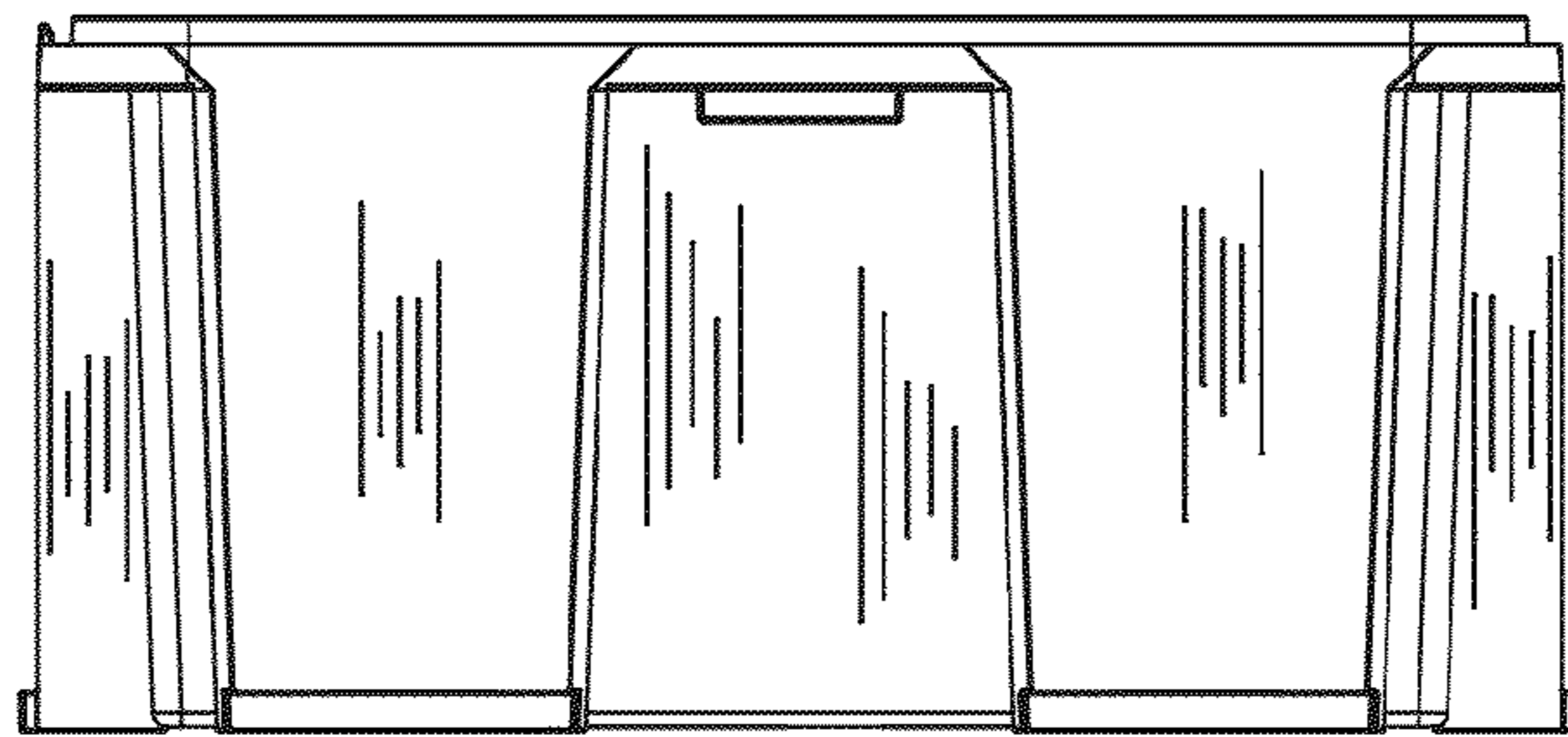


FIG. 19

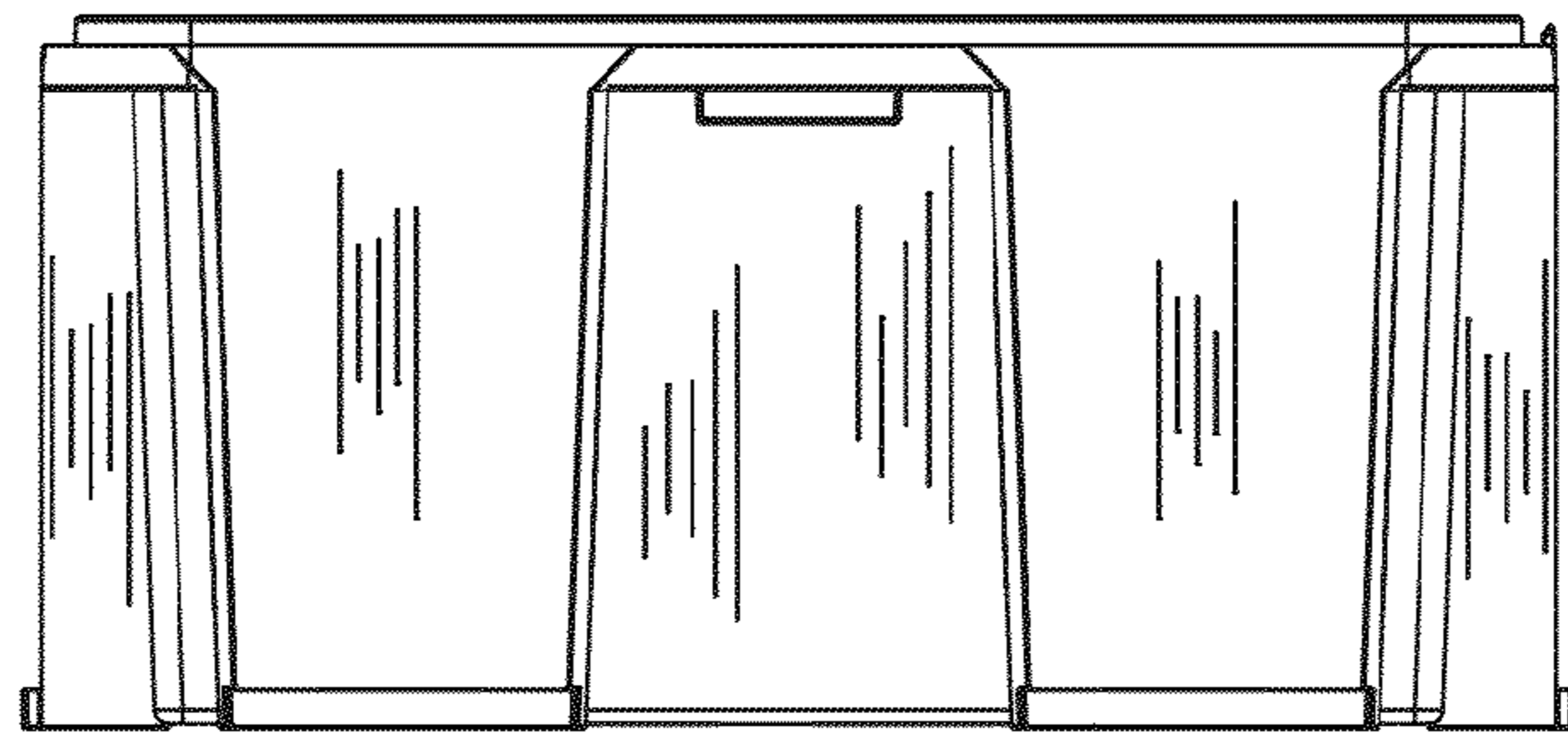


FIG. 20

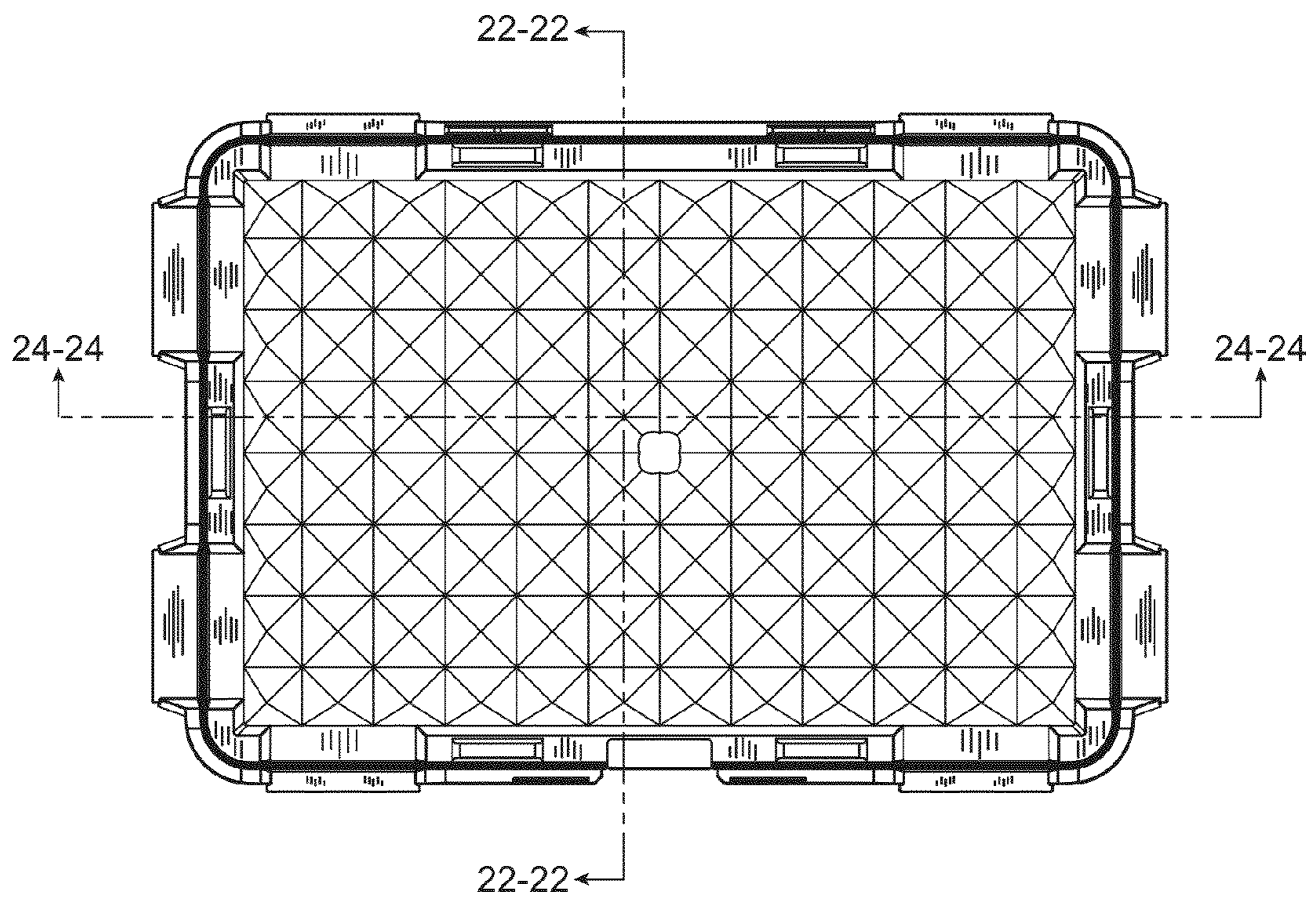


FIG. 21

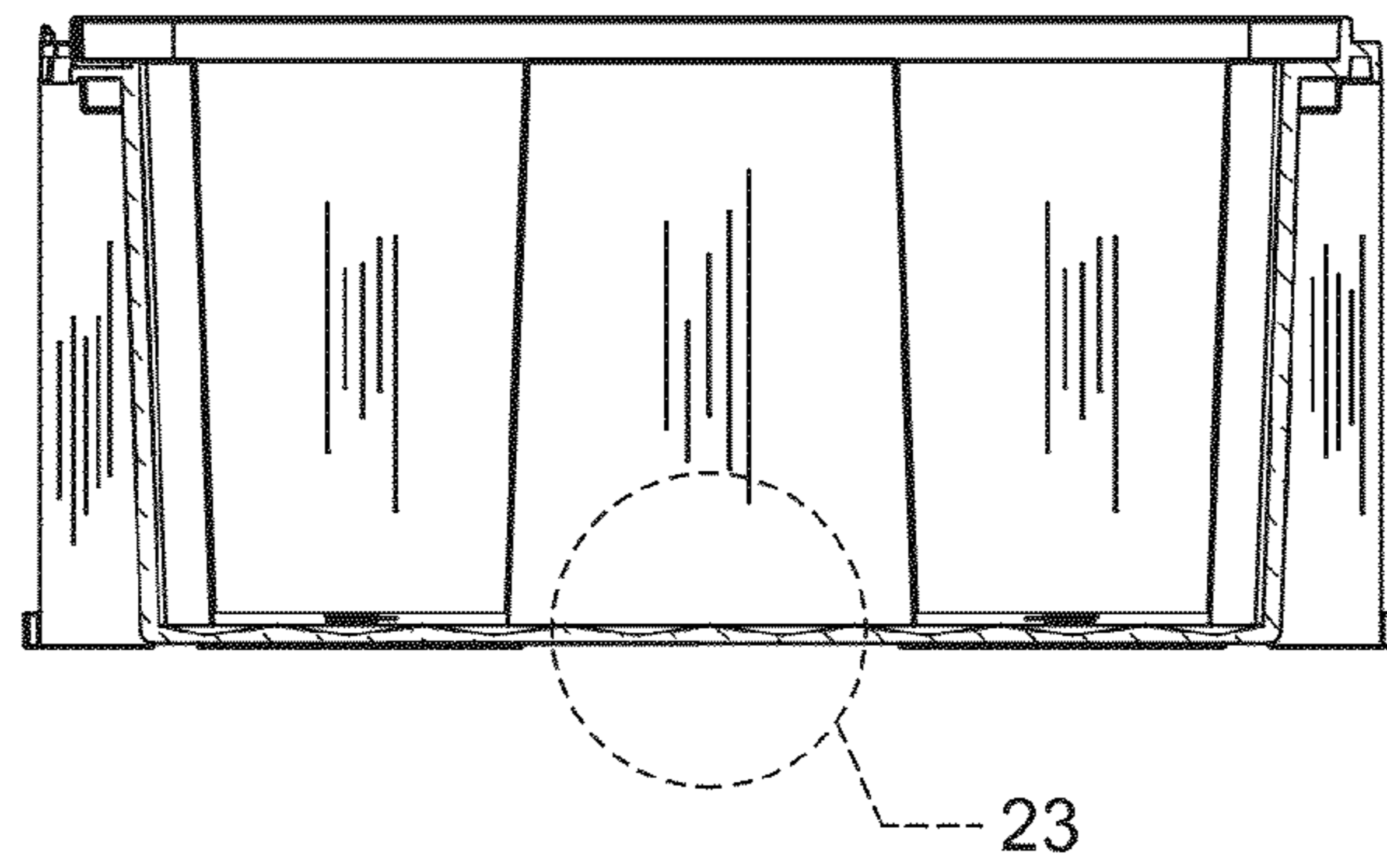


FIG. 22



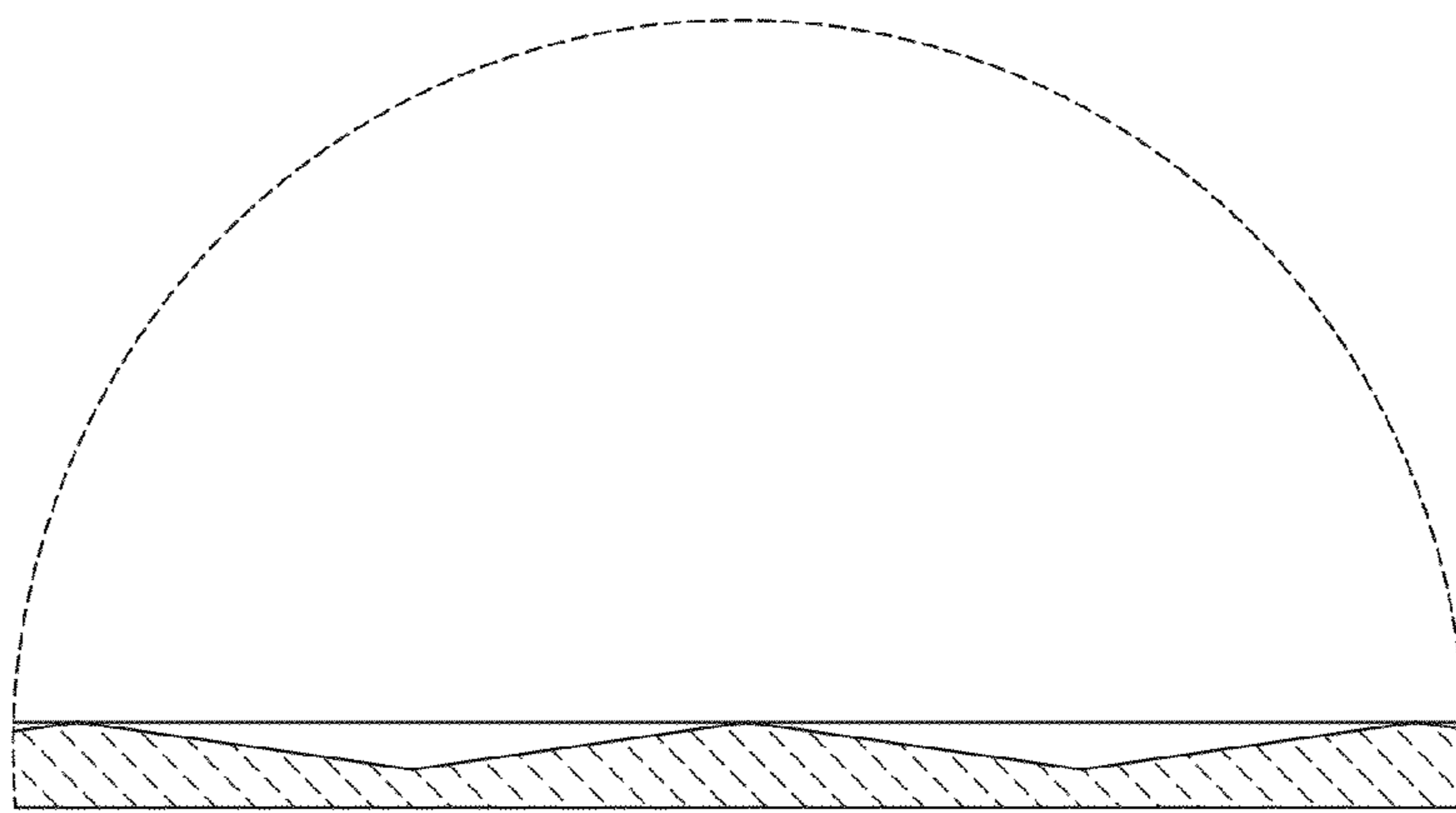


FIG. 23

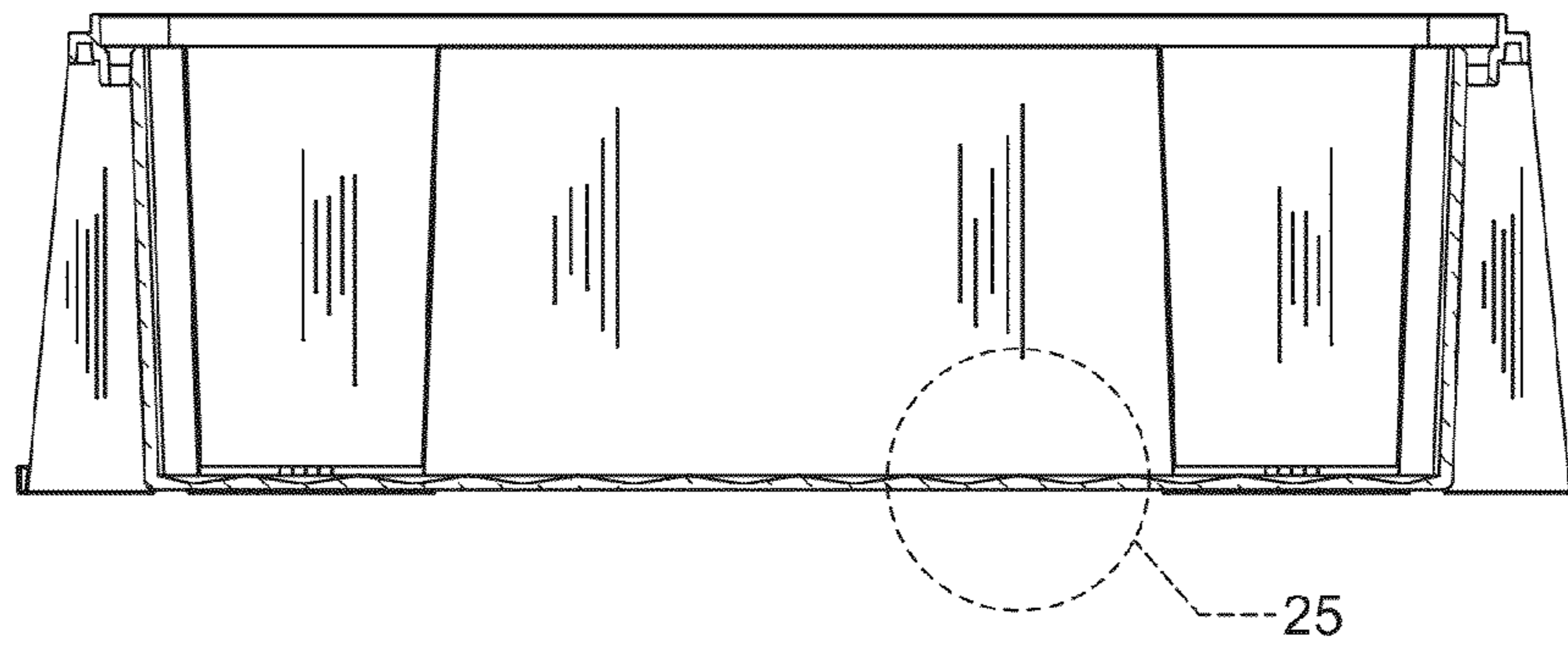


FIG. 24

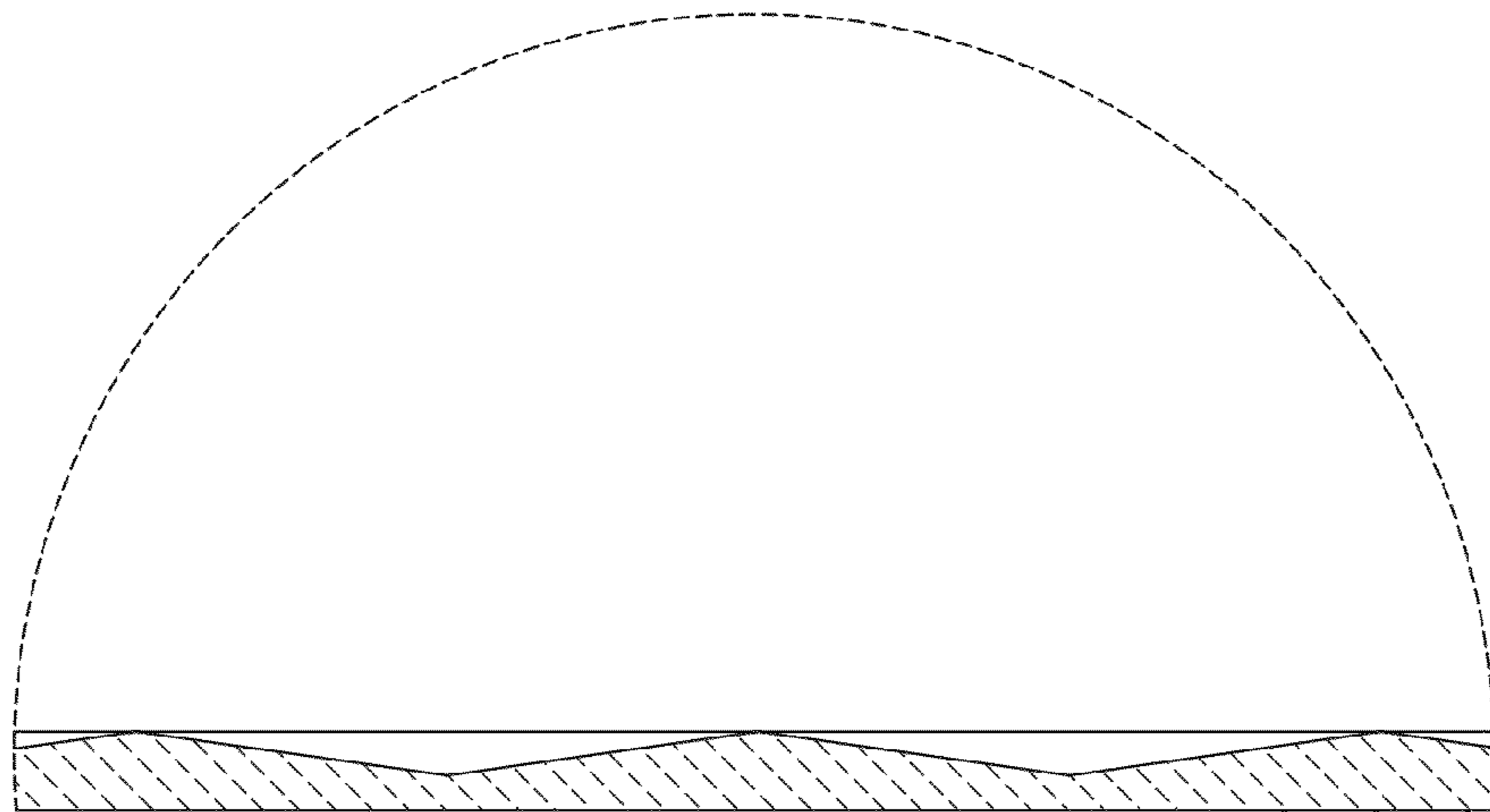


FIG. 25

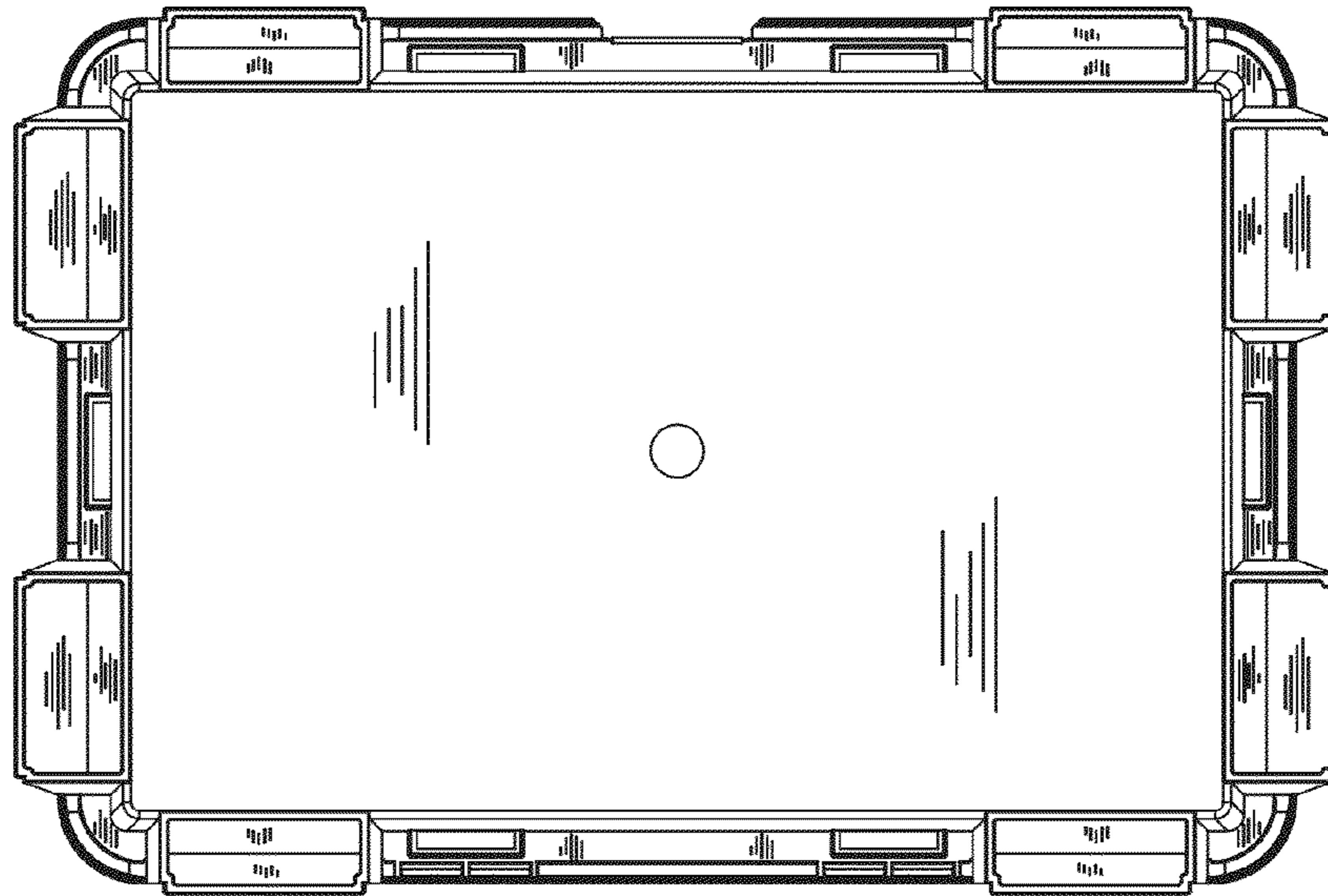


FIG. 26

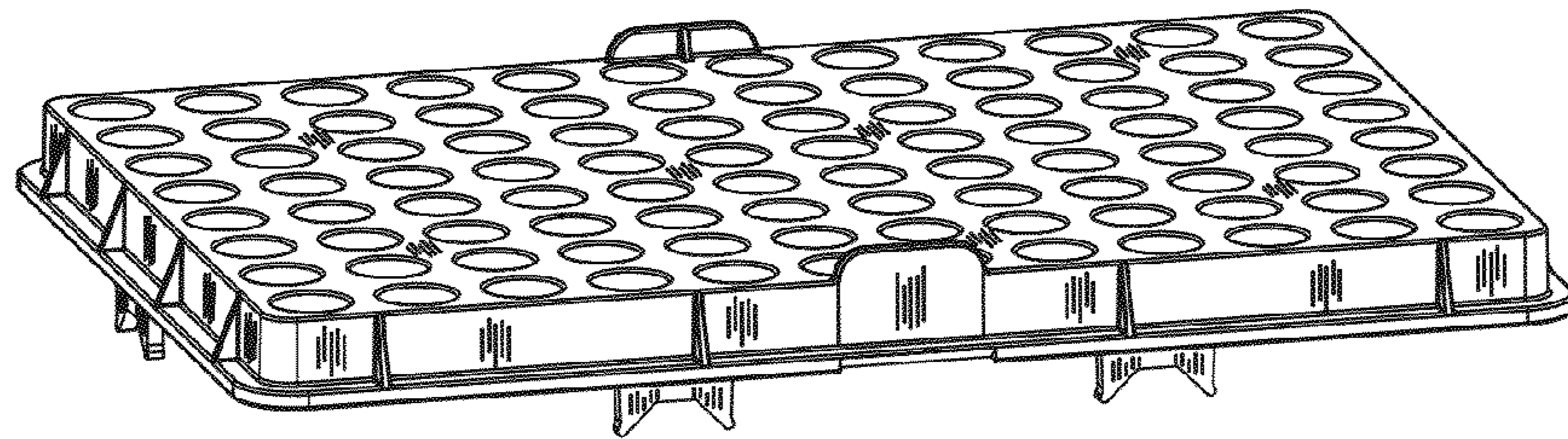


FIG. 27

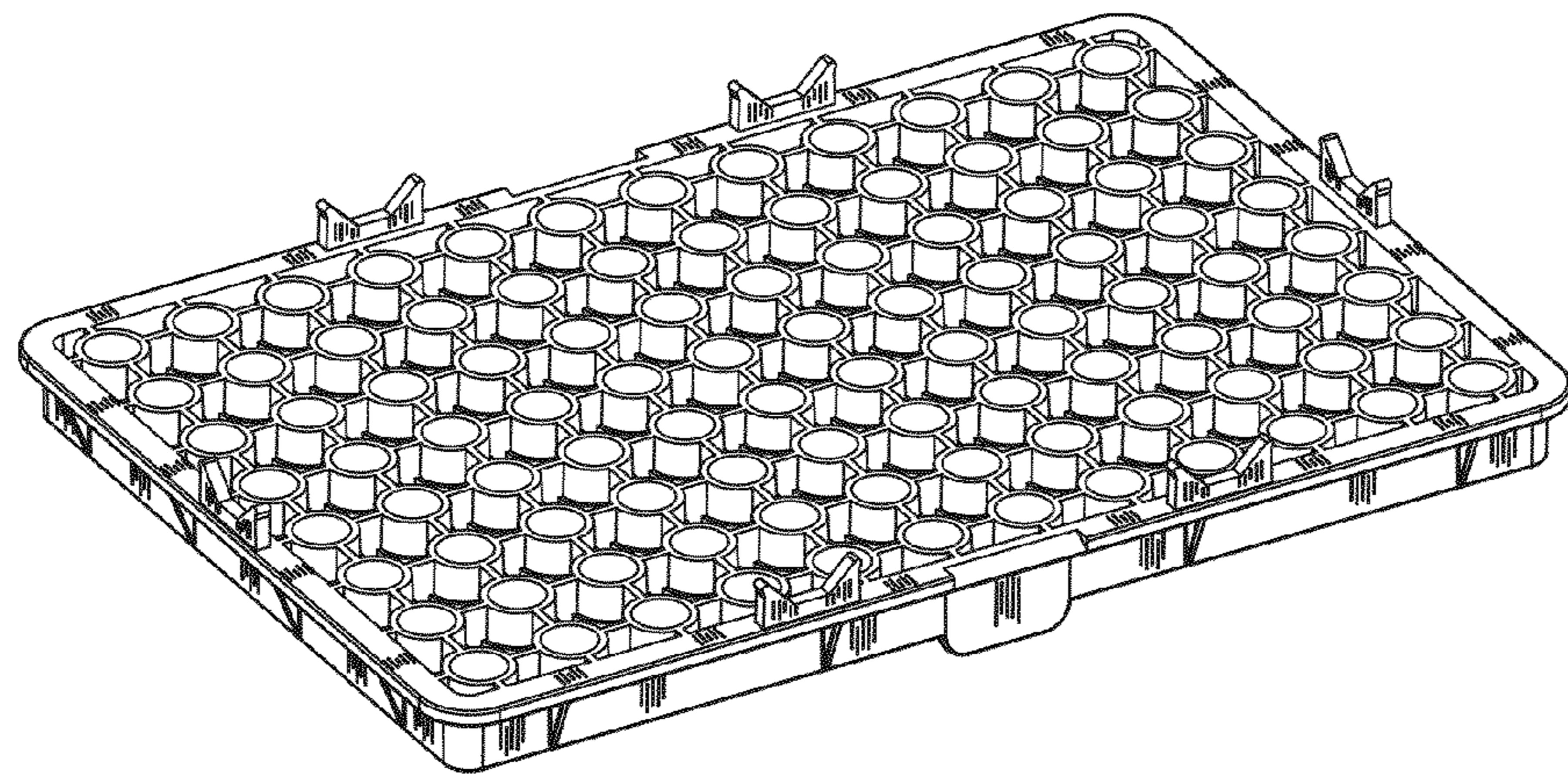


FIG. 28

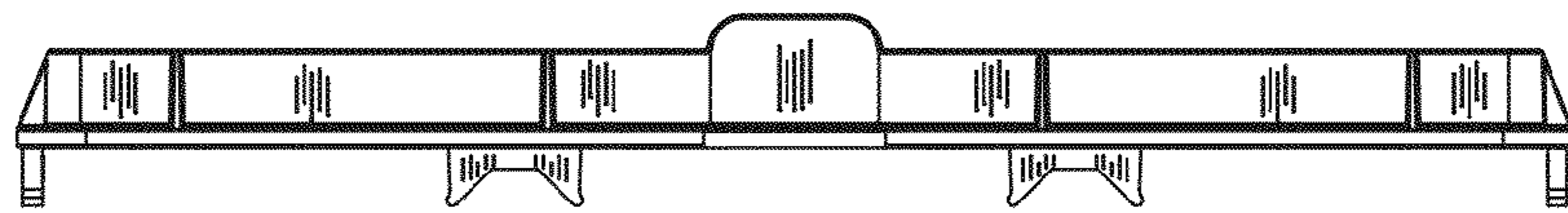


FIG. 29

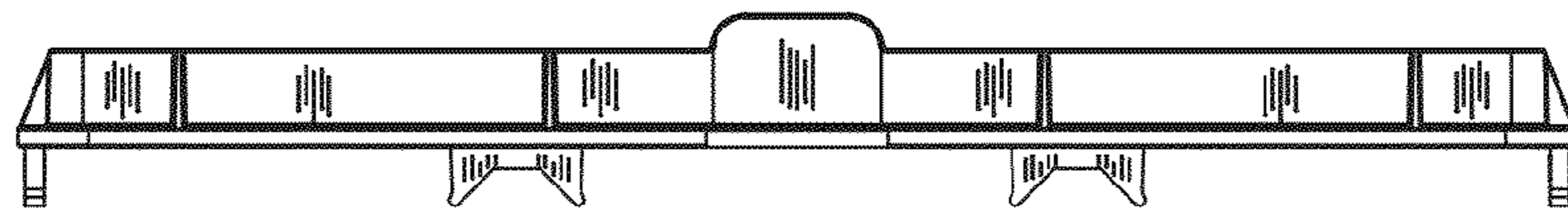


FIG. 30



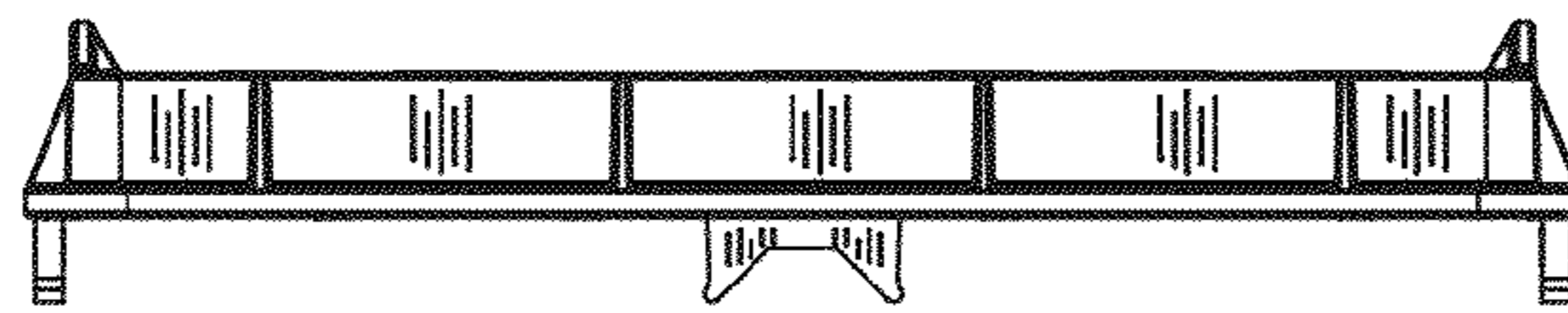


FIG. 31

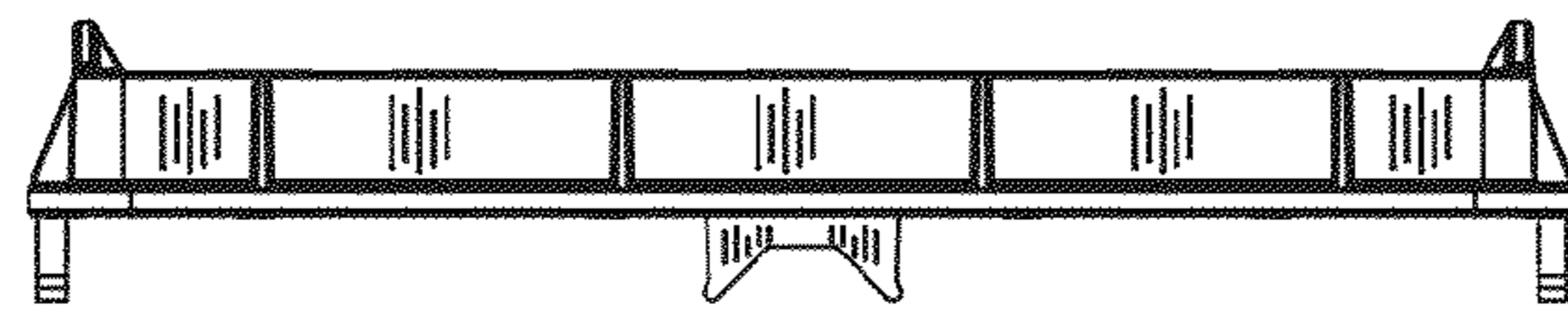


FIG. 32

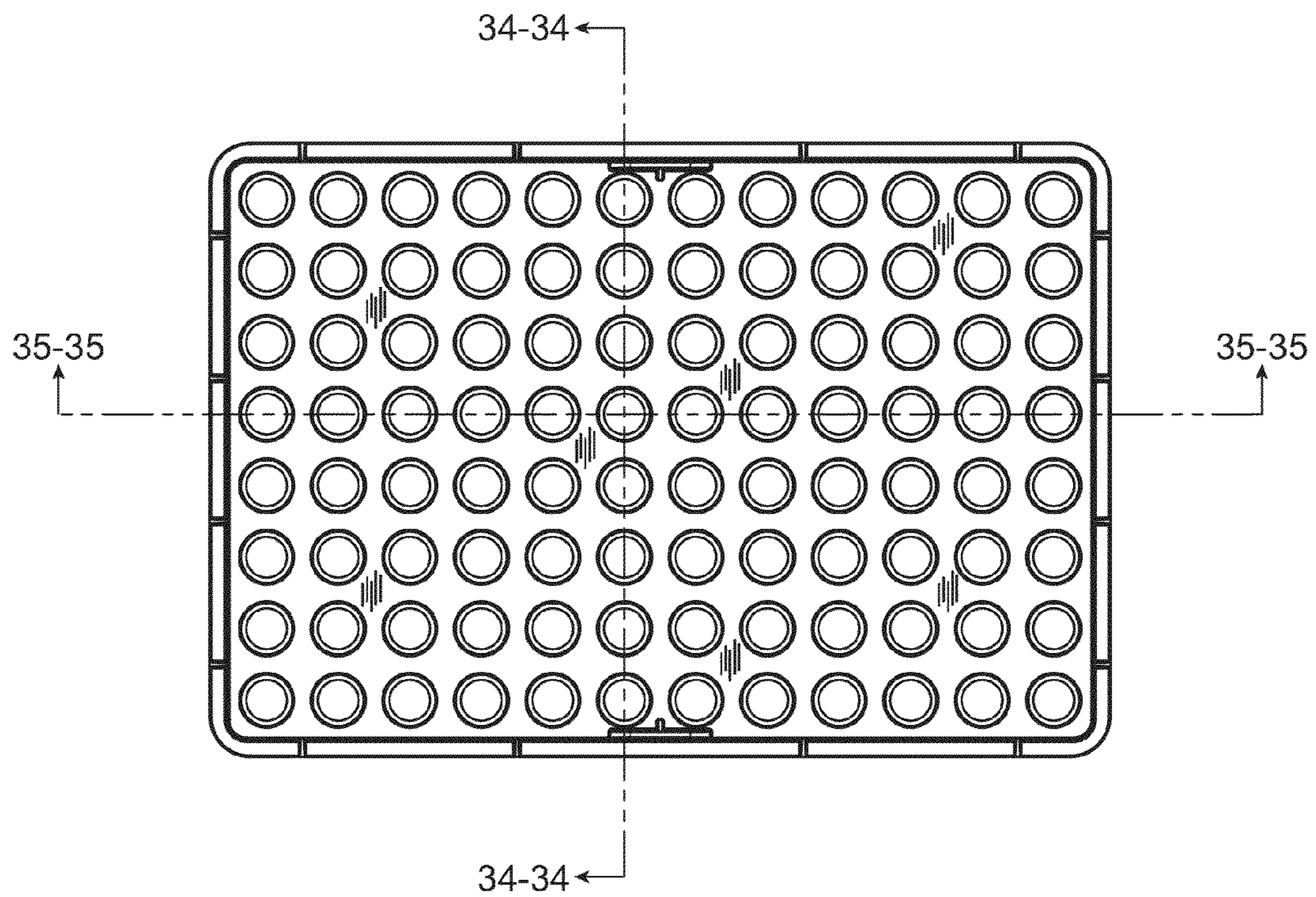


FIG. 33

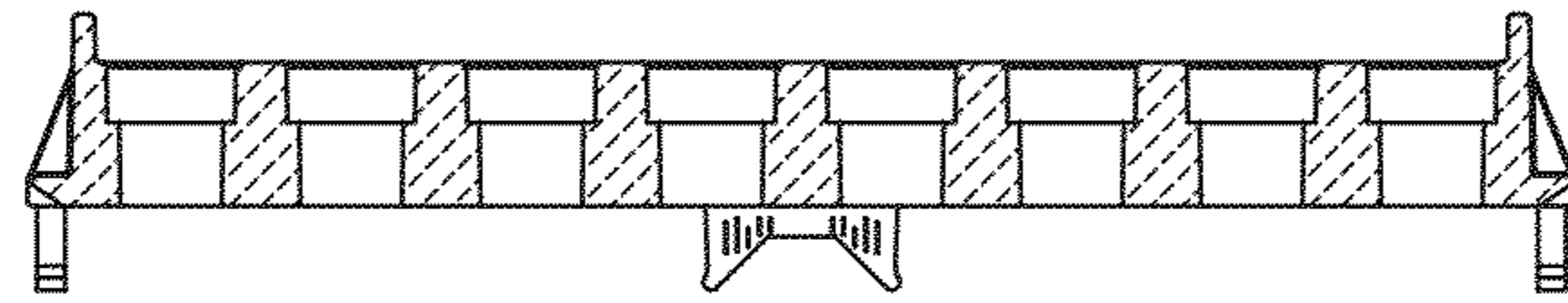


FIG. 34

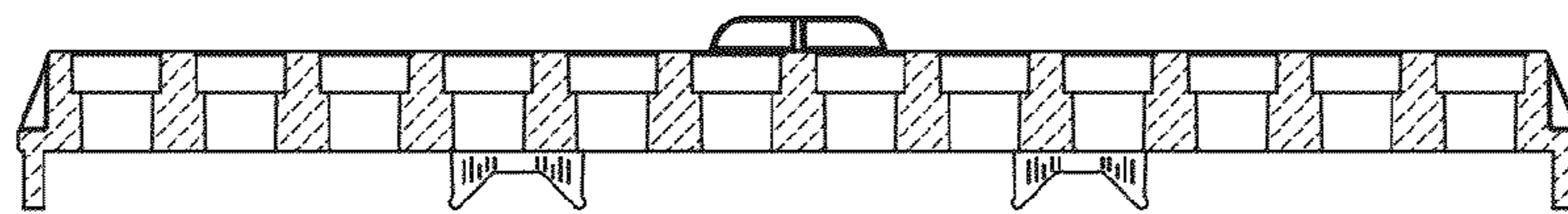


FIG. 35

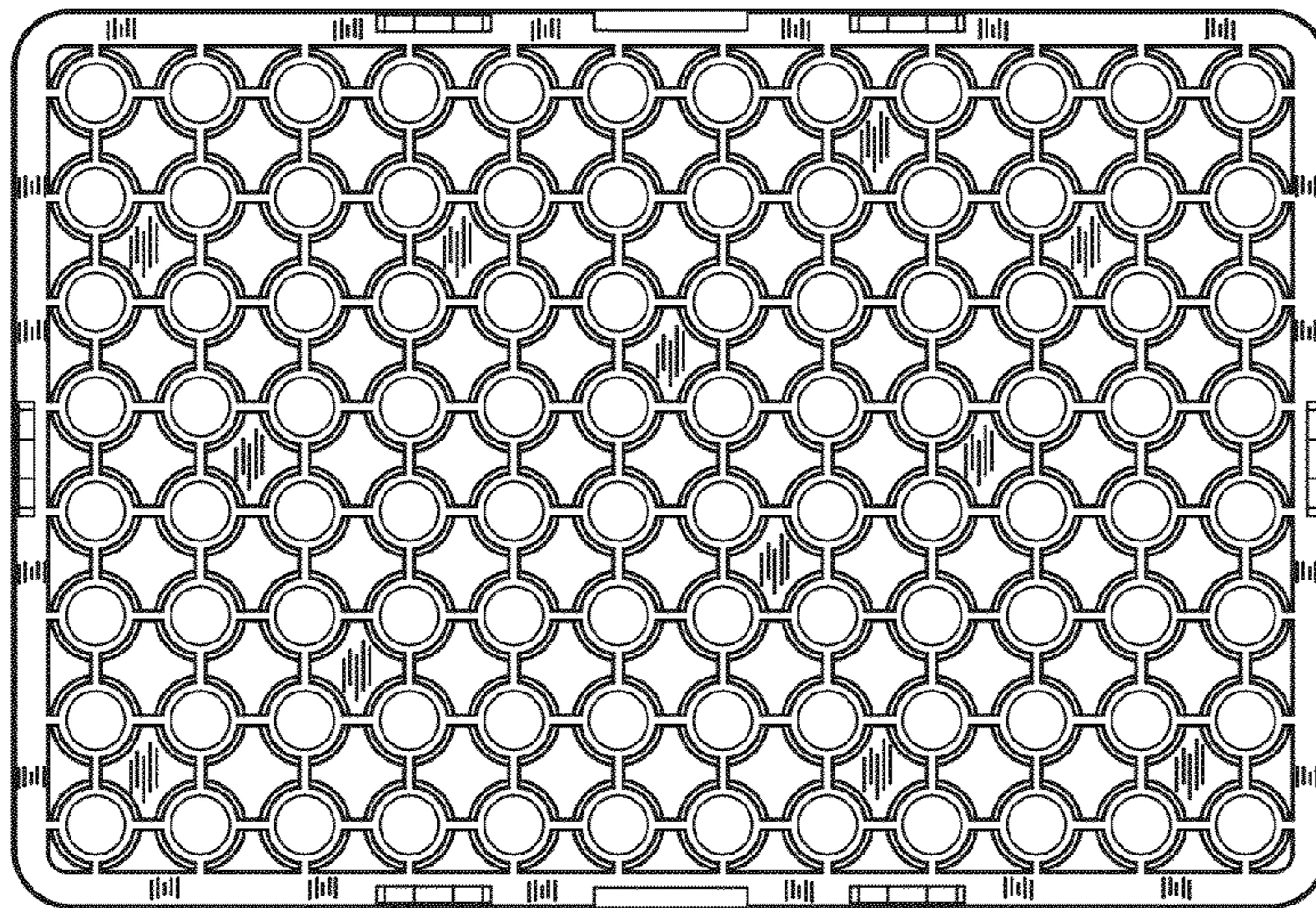


FIG. 36

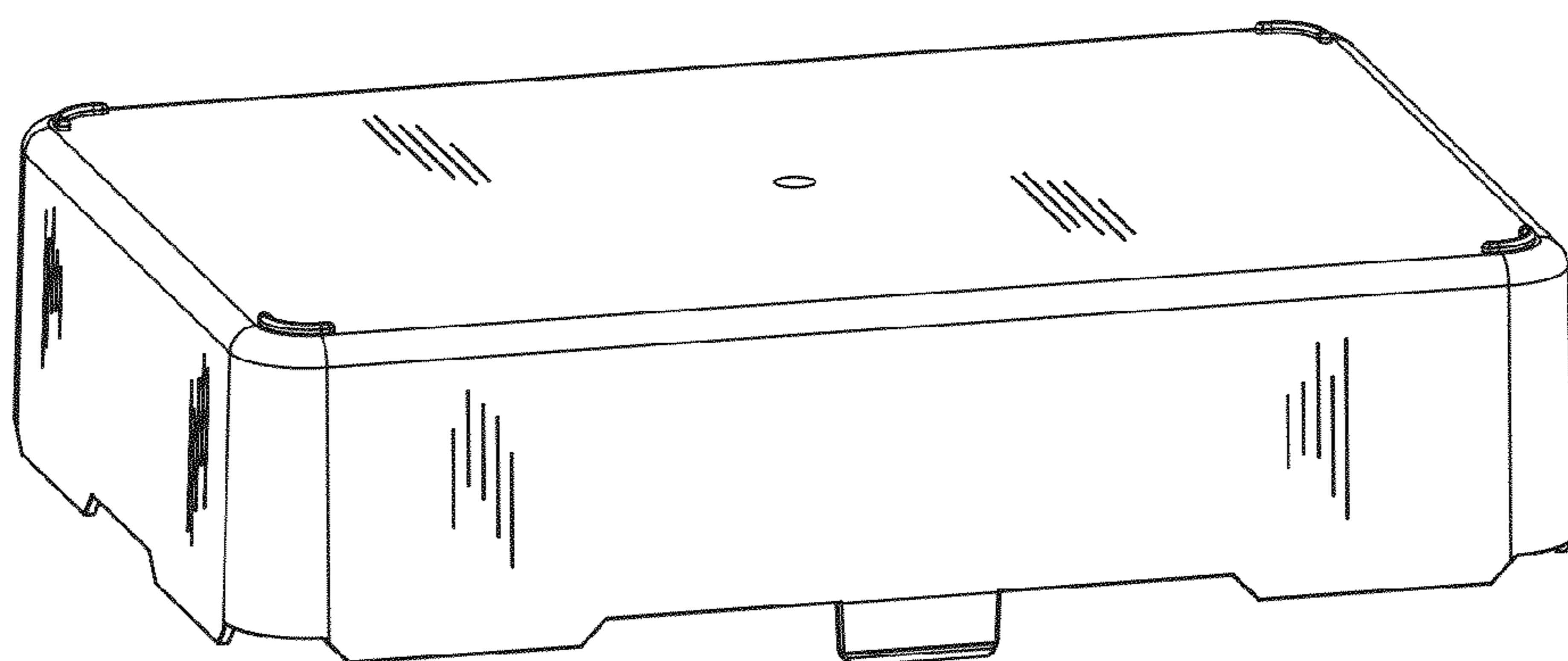


FIG. 37

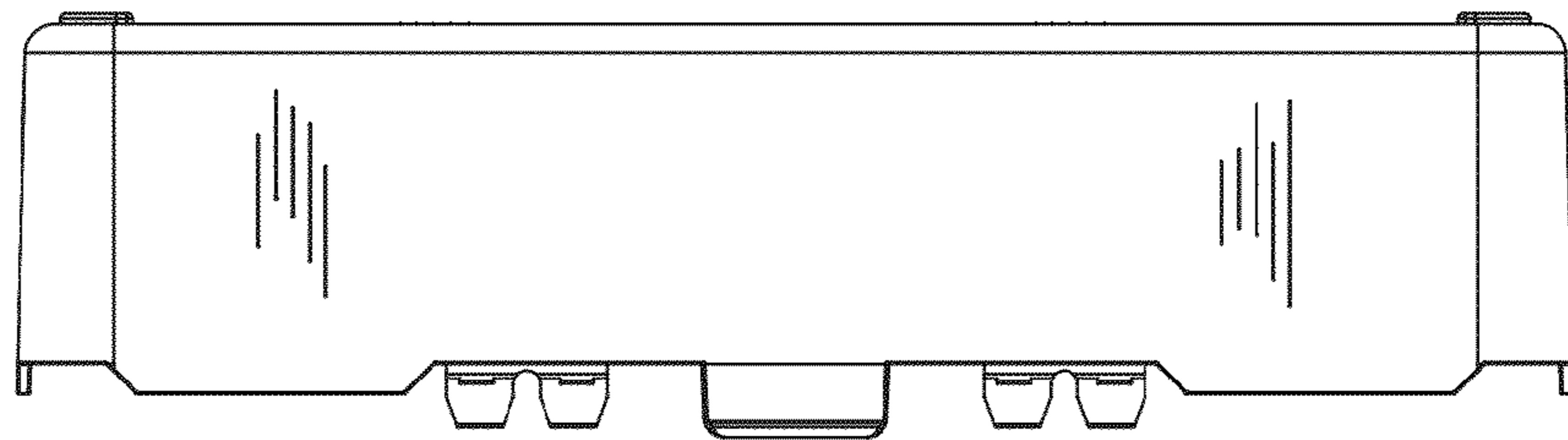


FIG. 38



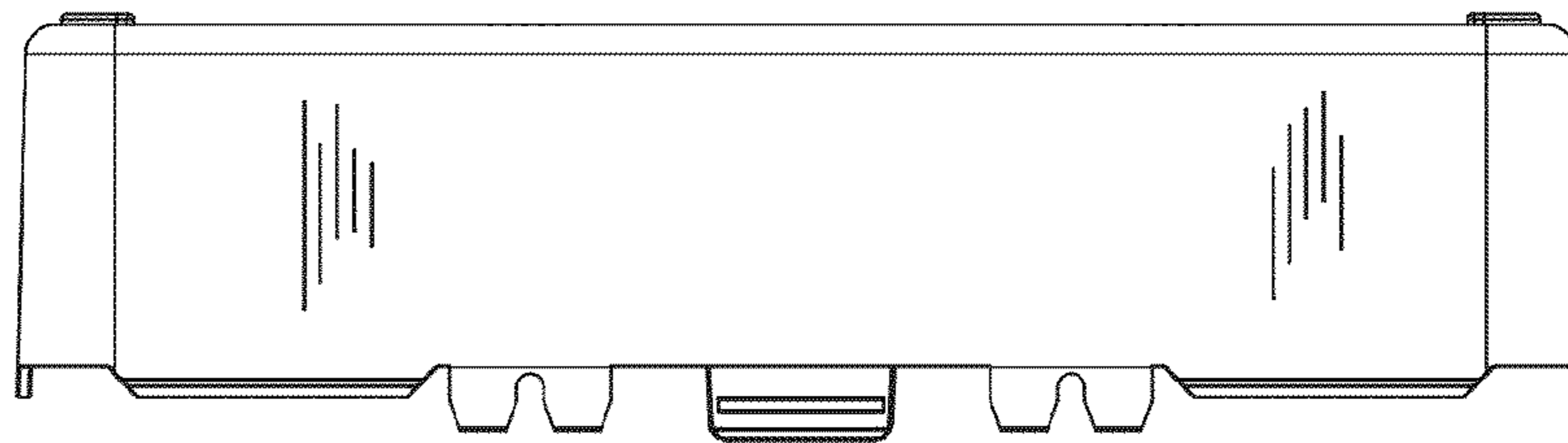


FIG. 39

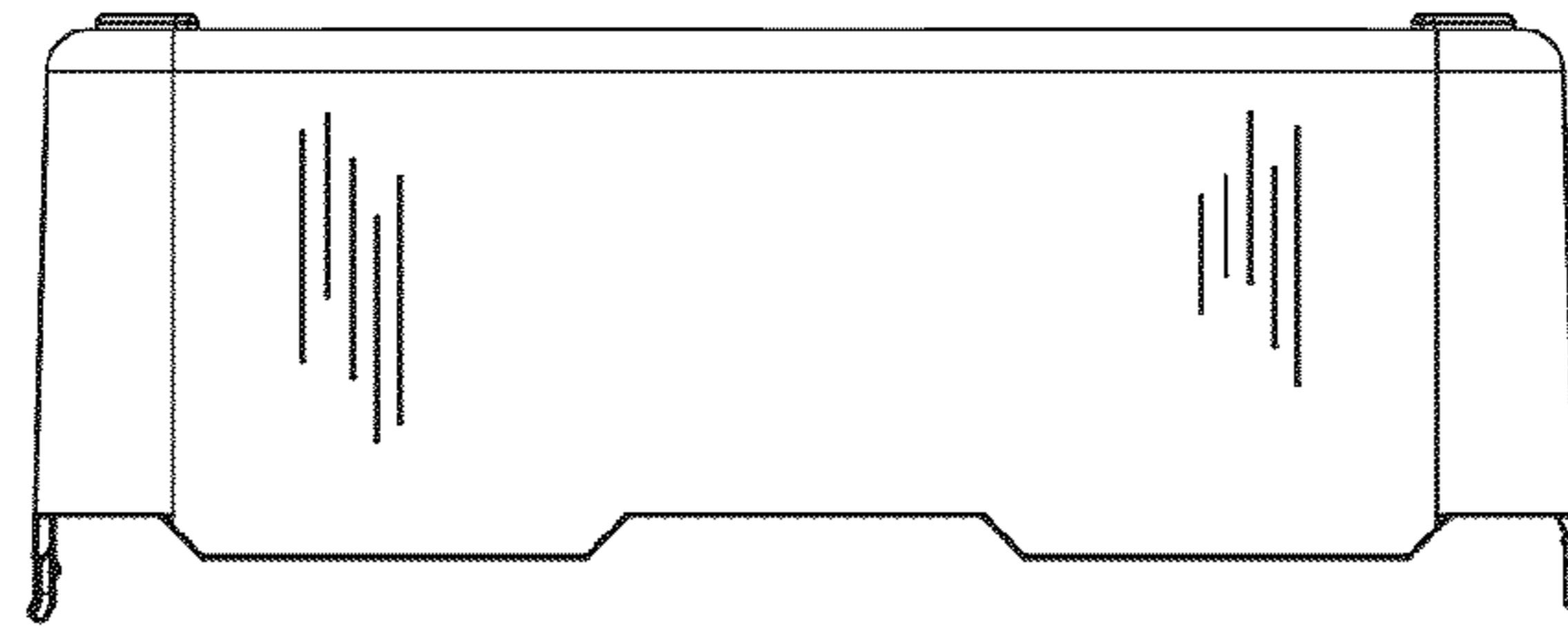


FIG. 40

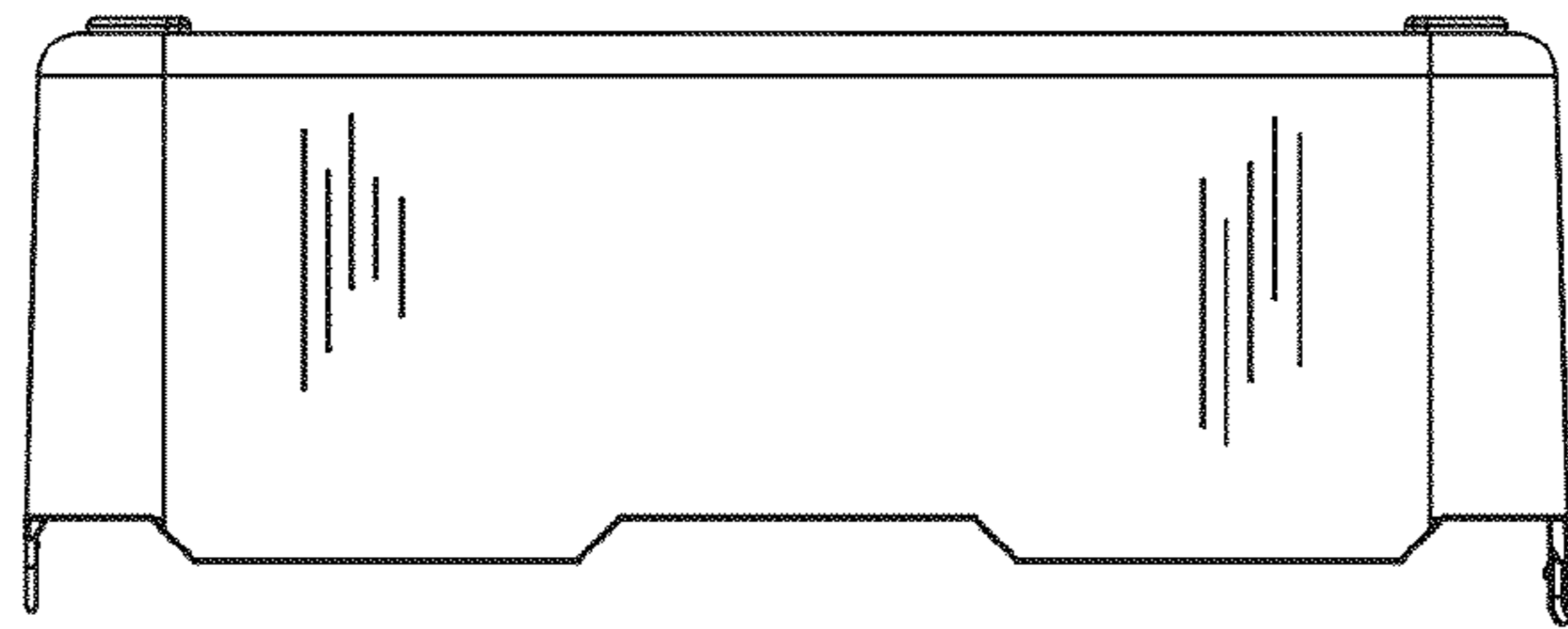


FIG. 41

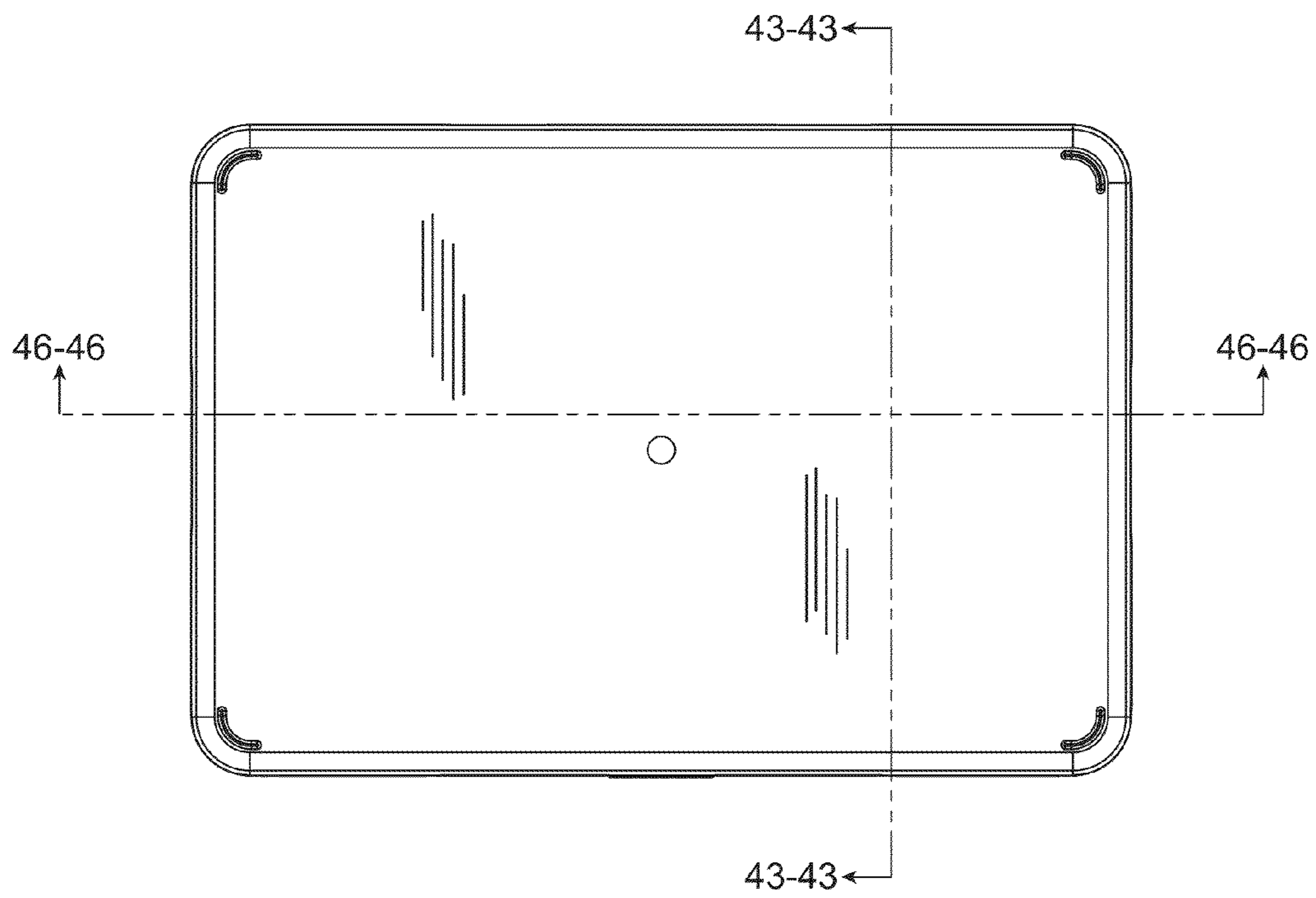
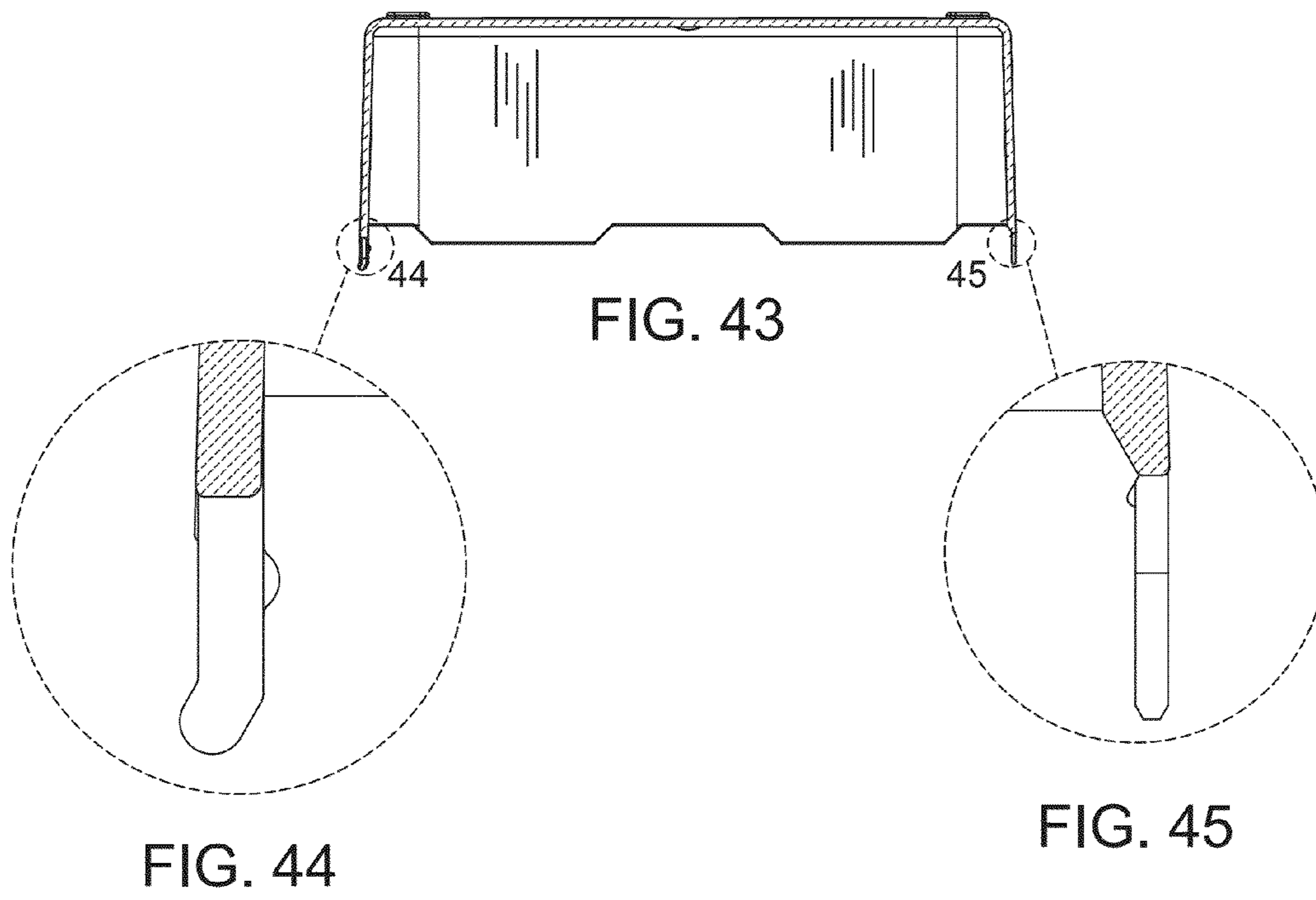


FIG. 42



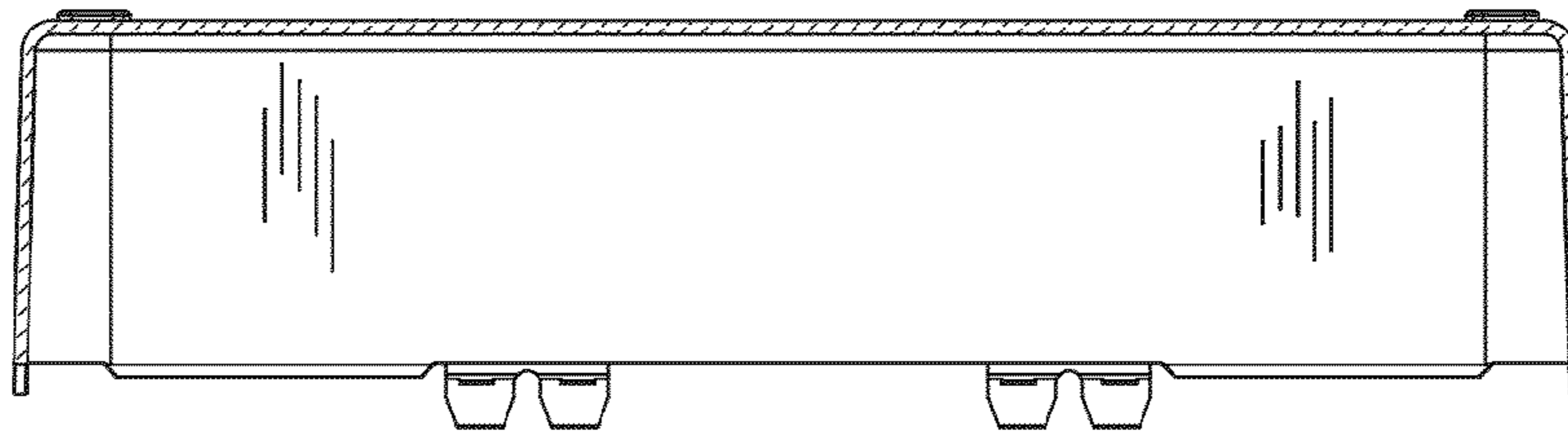


FIG. 46

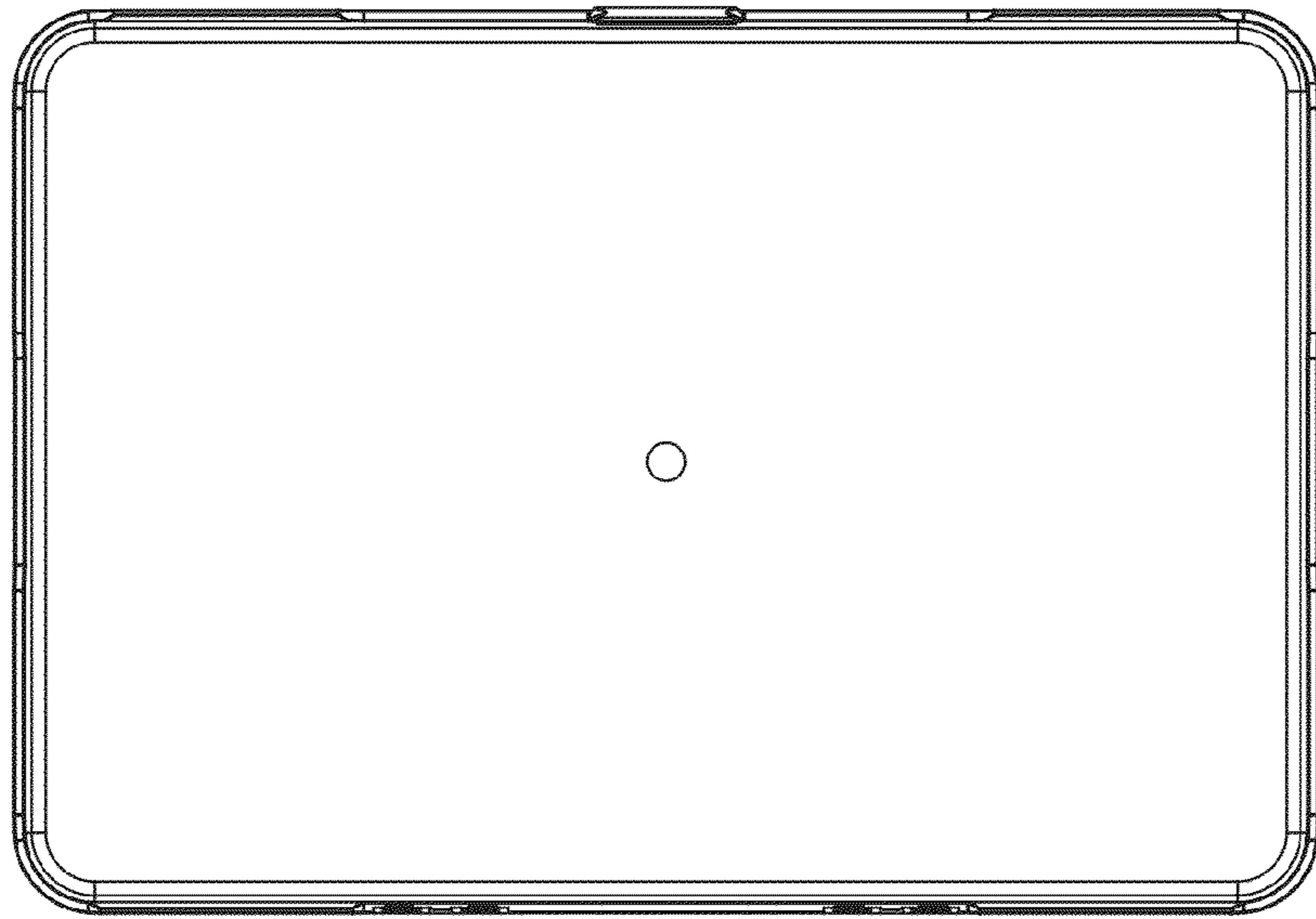


FIG. 47

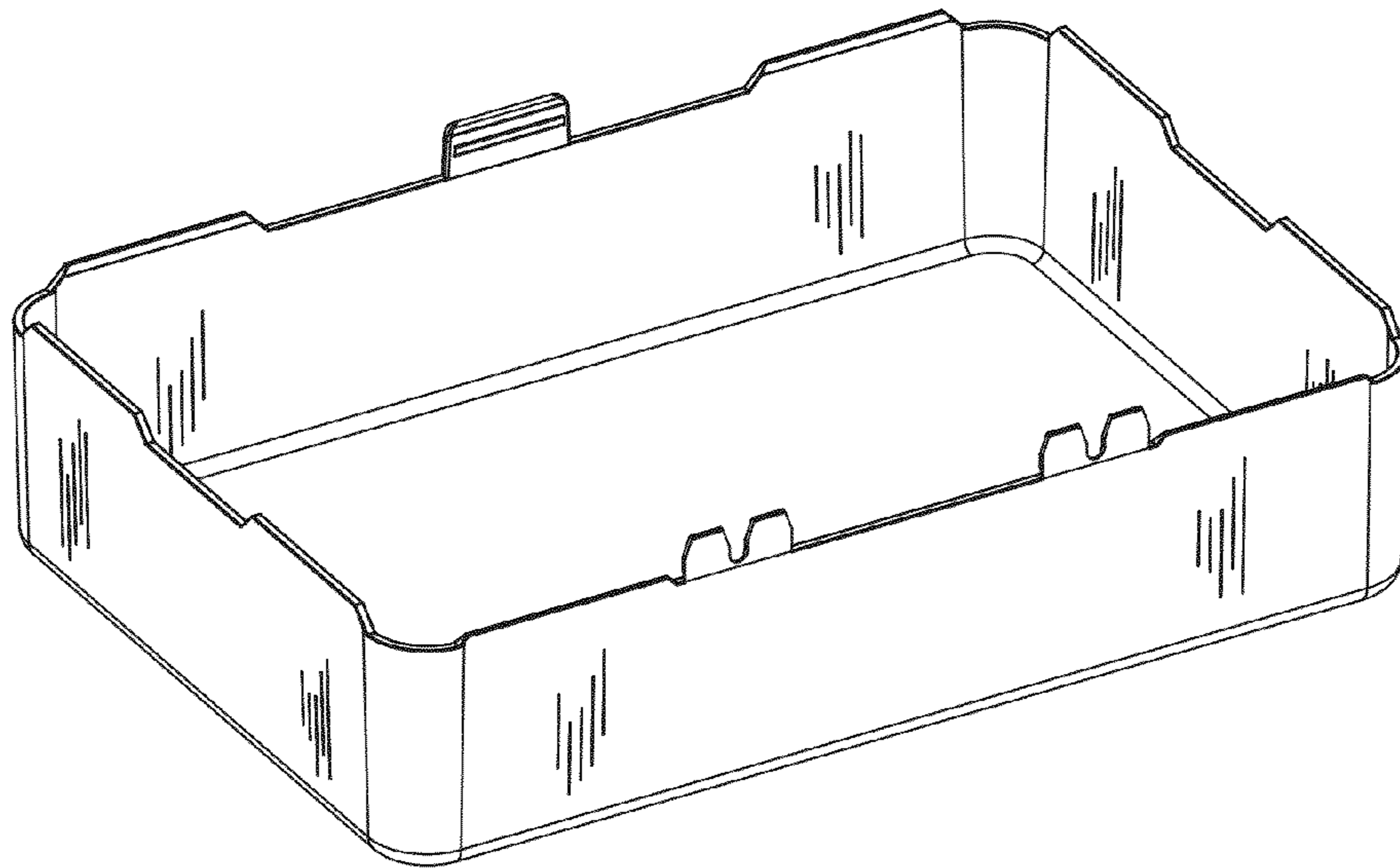


FIG. 48