



US00D724235S

(12) **United States Design Patent**  
**Kuneyl**

(10) **Patent No.:** **US D724,235 S**  
(45) **Date of Patent:** **\*\* Mar. 10, 2015**

(54) **ORAL STIMULATION DEVICE**

(71) Applicant: **The Sensory University, LLC**, Buford, GA (US)

(72) Inventor: **Todd Kuneyl**, Cumming, GA (US)

(73) Assignee: **The Sensory University, LLC**, Buford, GA (US)

(\*\*) Term: **14 Years**

(21) Appl. No.: **29/485,676**

(22) Filed: **Mar. 21, 2014**

(51) **LOC (10) Cl.** ..... **28-03**

(52) **U.S. Cl.**

USPC ..... **D24/215**

(58) **Field of Classification Search**

CPC ..... A61H 19/30; A61H 19/32; A61H 19/34;  
A61H 19/40; A61H 19/44; A61H 19/50;  
A61H 19/00; A61H 2201/0153; A61H  
2201/0207; A61H 2201/0263; A61H  
2201/0111; A61H 2201/1253; A61H  
2205/082; A61H 2205/085; A61H 15/0085  
USPC ..... D24/200, 211, 212, 213, 214, 215, 194;  
601/114, 120, 121, 124, 125, 130, 131,  
601/134, 135, 136, 137  
See application file for complete search history.

(56) **References Cited**

**U.S. PATENT DOCUMENTS**

2,115,405 A \* 4/1938 Allen ..... 606/235

D461,558 S *	8/2002	Schiavoni	.....	D24/176
D522,658 S *	6/2006	Schiavoni	.....	D24/194
D539,430 S *	3/2007	Lowsky et al.	.....	D24/193
D552,745 S *	10/2007	Beckman	.....	D24/194
D584,823 S *	1/2009	Conlon	.....	D24/194
D673,284 S *	12/2012	Lowsky	.....	D24/214
D698,456 S *	1/2014	Zedaker	.....	D24/215

\* cited by examiner

*Primary Examiner* — Sandra Snapp

(74) *Attorney, Agent, or Firm* — Meunier Carlin & Curfman, LLC

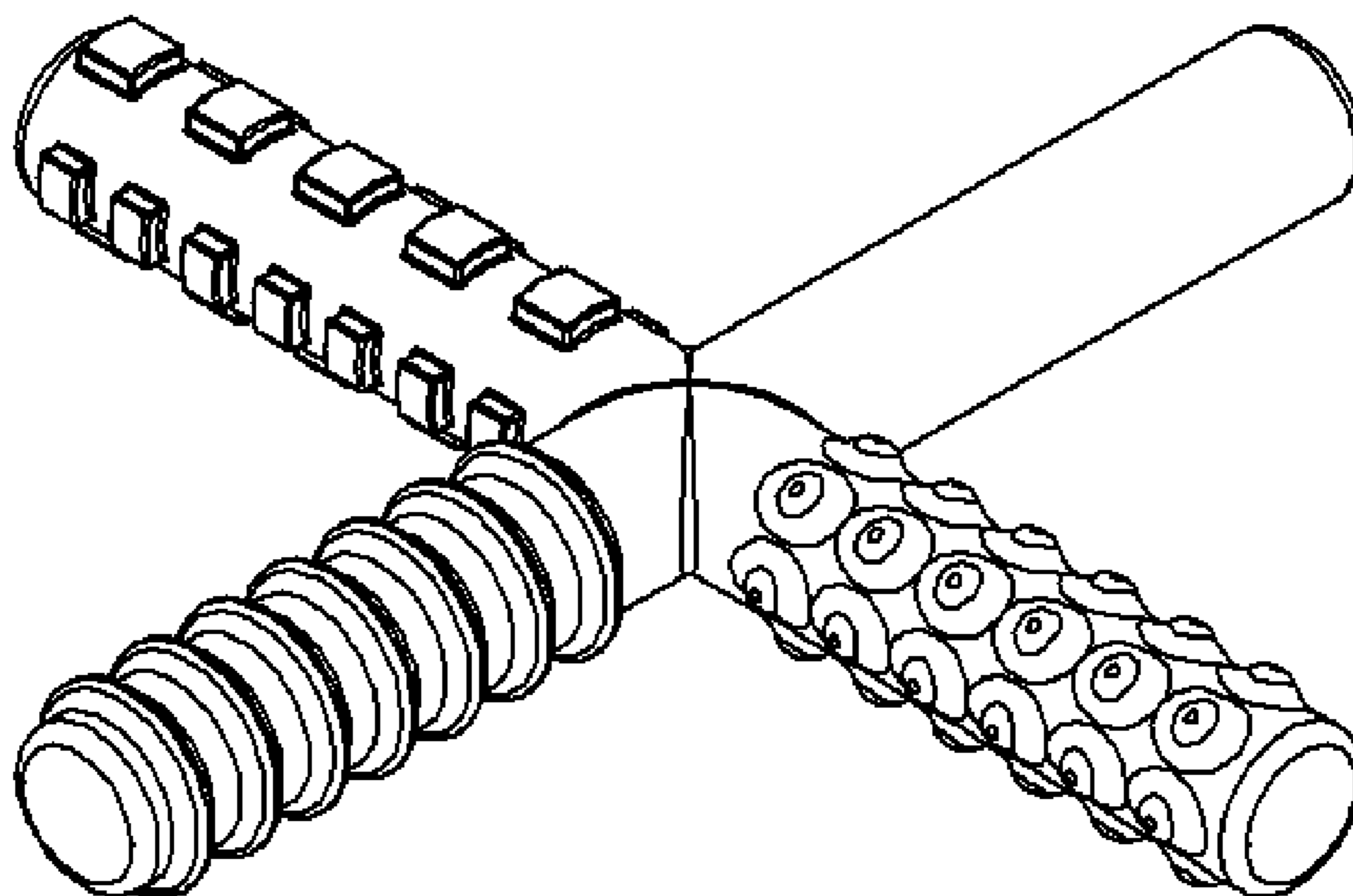
(57) **CLAIM**

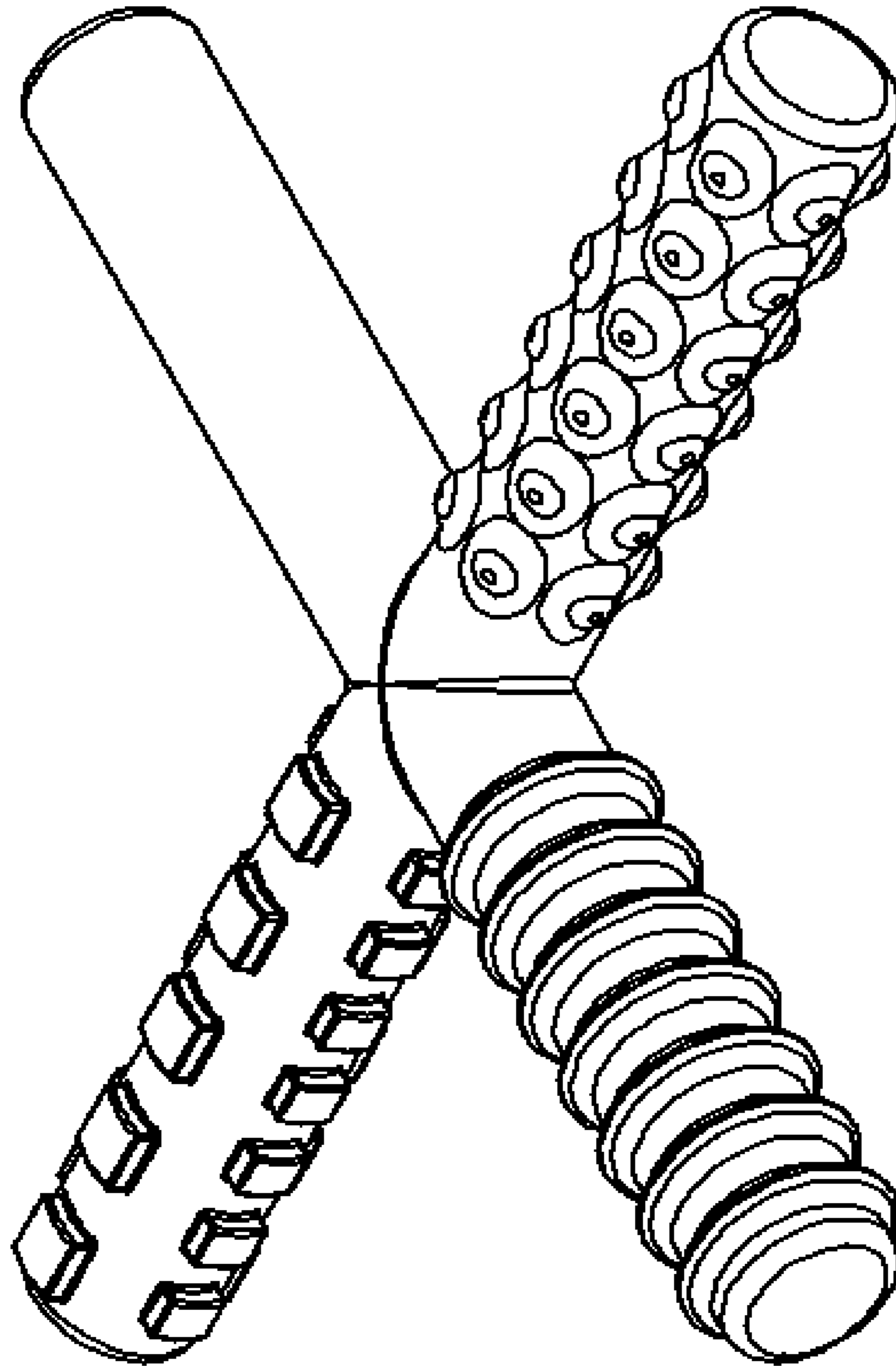
The ornamental design for an oral stimulation device, as shown and described.

**DESCRIPTION**

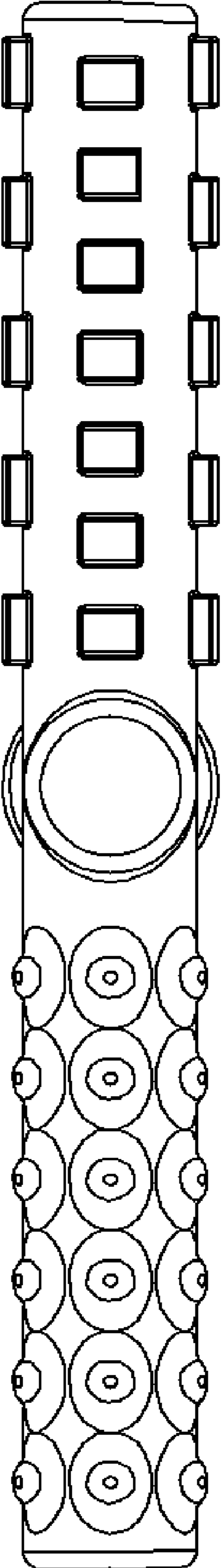
FIG. 1 is a perspective view of an oral stimulation device. FIG. 2 is a side elevational view of the embodiment depicted in FIG. 1. FIG. 3 is a side elevational view of the embodiment depicted in FIG. 1. FIG. 4 is a side elevational view of the embodiment depicted in FIG. 1. FIG. 5 is a side elevational view of the embodiment depicted in FIG. 1; and, FIG. 6 is a top plan view thereof, the bottom plan view being a mirror image thereof.

**1 Claim, 6 Drawing Sheets**

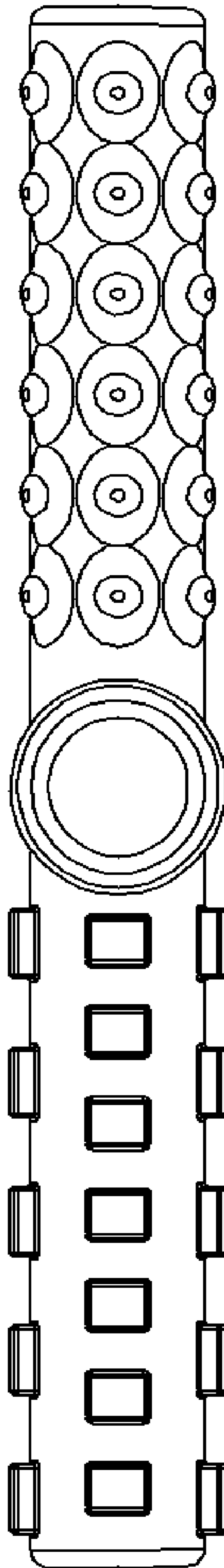




**FIG. 1**

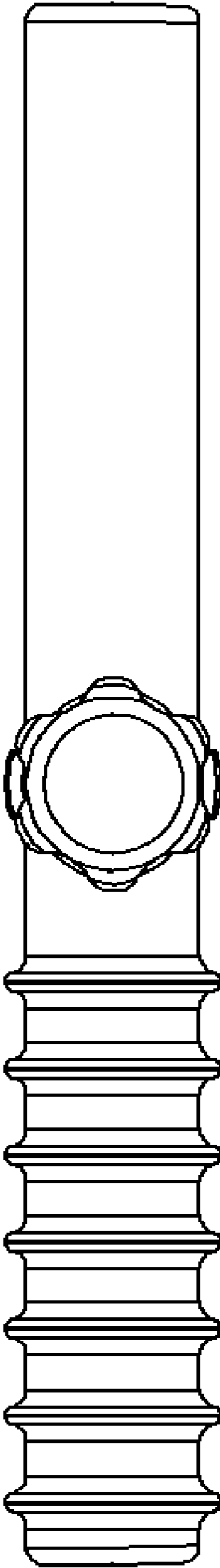


**FIG. 2**

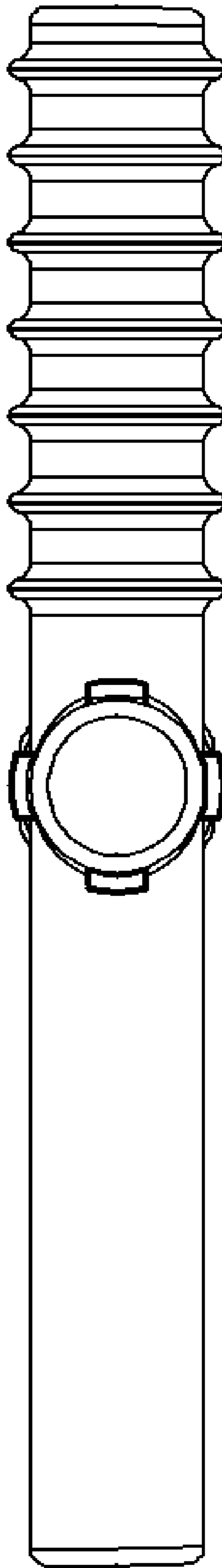


**FIG. 3**

**FIG. 4**



**FIG. 5**



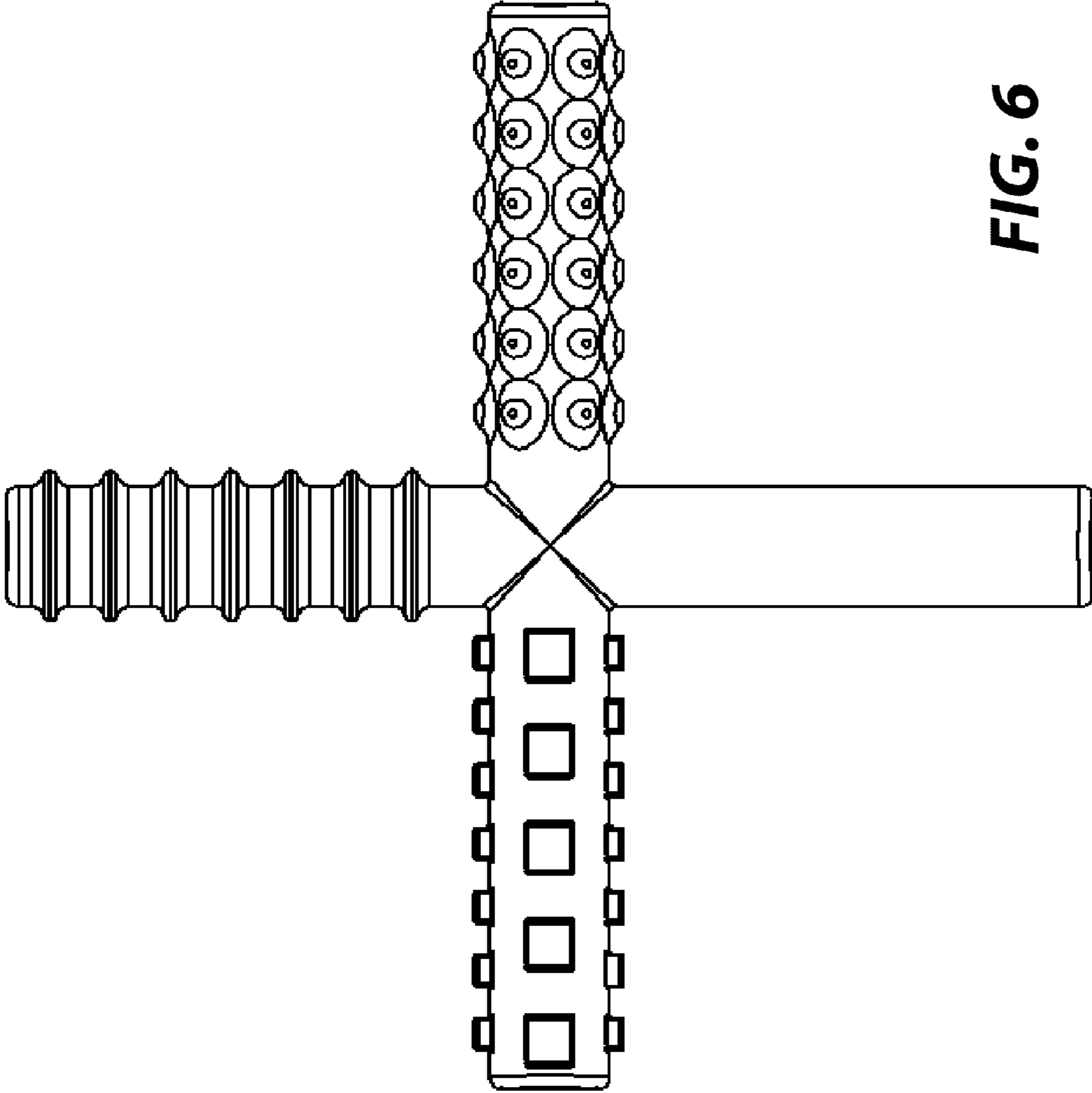


FIG. 6