



US00D724233S

(12) **United States Design Patent**  
**Moore et al.**

(10) **Patent No.:** **US D724,233 S**  
(45) **Date of Patent:** **\*\* Mar. 10, 2015**

(54) **FLUID CONTAINER TOP**

4,993,568 A 2/1991 Morifuji et al.  
5,316,160 A 5/1994 Cautereels  
5,544,766 A 8/1996 Dunn et al.

(75) Inventors: **Jenifer R. Moore**, Santa Barbara, CA  
(US); **Roger P. Moore**, Santa Barbara,  
CA (US)

(Continued)

FOREIGN PATENT DOCUMENTS

(73) Assignee: **Pura Stainless LLC**, Santa Barbara, CA  
(US)

AU 2009200949 10/2009  
CN 2813523 3/2013

(Continued)

(\*\*) Term: **14 Years**

OTHER PUBLICATIONS

(21) Appl. No.: **29/431,287**

Design U.S. Appl. No. 29/454,971, Moore, Roger et al.

(22) Filed: **Sep. 5, 2012**

(Continued)

(51) **LOC (10) Cl.** ..... **24-04**

(52) **U.S. Cl.**  
USPC ..... **D24/196**

(58) **Field of Classification Search**  
CPC ..... A61J 11/001; A61J 11/0035  
USPC ..... 215/11.1, 11.2, 11.3, 11.4, 11.5, 11.6;  
D24/193, 194, 195, 196, 197, 198, 199  
See application file for complete search history.

*Primary Examiner* — George D Kirschbaum  
*Assistant Examiner* — Kendra L Hamilton  
(74) *Attorney, Agent, or Firm* — Knobbe Martens Olson &  
Bear LLP

(57) **CLAIM**  
The ornamental design for a fluid container top, as shown and  
described.

**DESCRIPTION**

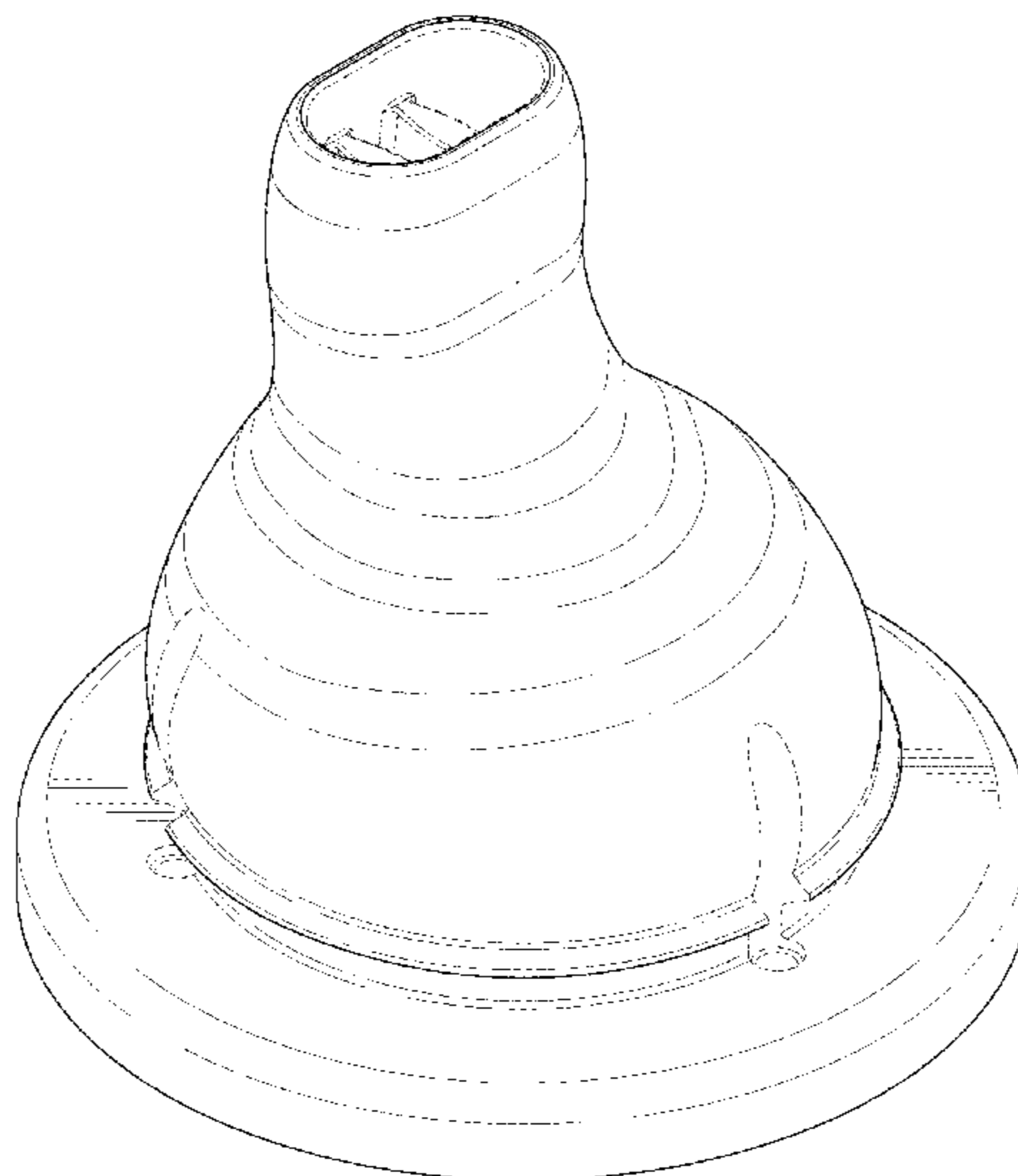
(56) **References Cited**

U.S. PATENT DOCUMENTS

1,510,363	A	9/1924	Wangen et al.	
1,659,784	A	2/1928	Pfister et al.	
1,733,184	A *	10/1929	Decker	215/11.1
1,797,433	A	3/1931	McCrea	
1,998,646	A	4/1935	Yager et al.	
2,008,593	A	7/1935	Pedersen	
2,157,896	A	5/1939	Held	
2,194,004	A	3/1940	Bukolt	
2,438,299	A	3/1948	Relis	
2,449,014	A	9/1948	Shaffer	
3,292,809	A	12/1966	Shomock et al.	
3,445,023	A	5/1969	Giessler et al.	
D220,732	S *	5/1971	Ritsi	D24/196
3,788,510	A	1/1974	Collins	
4,613,050	A	9/1986	Atkin et al.	
D288,241	S *	2/1987	Fuller	D24/196

FIG. 1 is a front, top, and side perspective view of an embodi-  
ment of a fluid container top or spout embodying our new  
design.  
FIG. 2 is a front view thereof.  
FIG. 3 is a back view thereof.  
FIG. 4 is a side view thereof, the opposite side being a mirror  
image.  
FIG. 5 is a top view thereof; and,  
FIG. 6 is a bottom view thereof.  
Broken lines are used to illustrate features of the fluid con-  
tainer top which form no part of the claimed design. In the  
illustrated embodiment of the spout, broken lines showing the  
insides, bottom, and vents of the spout form no part of the  
claimed design.

**1 Claim, 6 Drawing Sheets**



(56)

References Cited

U.S. PATENT DOCUMENTS

5,909,820	A	6/1999	Yeh	
6,371,315	B1	4/2002	Chien	
D504,725	S *	5/2005	Randolph et al.	D24/196
6,948,630	B2	9/2005	Julian et al.	
6,994,225	B2	2/2006	Hakim	
7,070,065	B2	7/2006	Wong	
D555,795	S	11/2007	Mallet	
D567,384	S *	4/2008	Sakulsacha et al.	D24/196
D588,616	S	3/2009	Tanaka et al.	
D617,465	S	6/2010	Hakim	
D634,439	S	3/2011	Hakim	
7,938,281	B2	5/2011	Horntrich et al.	
D639,969	S *	6/2011	Pukall et al.	D24/196
D667,558	S	9/2012	Hakim	
D671,793	S *	12/2012	Hakim	D7/392.1
D681,216	S *	4/2013	Smith	D24/196
8,573,436	B2	11/2013	Moore et al.	
D699,068	S *	2/2014	Dunn et al.	D7/392.1
8,739,991	B2	6/2014	Moore et al.	
8,807,386	B2 *	8/2014	Lam	220/711
2005/0258201	A1	11/2005	Willows et al.	
2006/0261064	A1	11/2006	Holley, Jr.	
2007/0102434	A1	5/2007	Dunwoody et al.	
2007/0221604	A1	9/2007	Hakim	
2008/0282907	A1	11/2008	Begin et al.	
2009/0301990	A1	12/2009	Cresswell et al.	
2011/0062105	A1 *	3/2011	Itzek	215/11.5
2012/0074090	A1 *	3/2012	Rees	215/11.1
2014/0251939	A1 *	9/2014	Boonprasop	215/11.4
2014/0339189	A1	11/2014	Moore et al.	

FOREIGN PATENT DOCUMENTS

EP	0151862	A2	8/1985
EP	1354579	A1	10/2003
GB	2154451	A1	9/1985
GB	2491790		4/2013
KR	20-1999-0021881		6/1999
KR	10-2000-0022013		4/2000
KR	20-2000-0007813		5/2000
KR	10-2000-0042244		7/2000
WO	WO 0016731	A1	3/2000
WO	WO 2011/116354	A2	9/2011

OTHER PUBLICATIONS

Design U.S. Appl. No. 29/484,170, Moore, Jenifer et al.

Adams, Six baby bottle manufacturers quietly agree to remove BPA from baby bottles, [http://www.naturalnews.com/025804\\_BPA\\_Baby\\_Bottles.html](http://www.naturalnews.com/025804_BPA_Baby_Bottles.html), Mar. 9, 2009.

Alter, Time to pack in the polycarbonates, <http://www.treehugger.com/green-food/time-to-pack-in-the-polycarbonates.html>, Aug. 1, 2007.

Consumer Reports, Major baby bottle manufacturers agree to ban BPA, <http://news.consumerreports.org/safety/2009/03/baby-bottle-makers-agree-to-ban-bpa.html>, Mar. 9, 2009.

Cornell University, Plastics—Avoiding BPA, [http://envirocancer.cornell.edu](http://envirocancer.cornell.eduenvirocancer.cornell.eduhttp://envirocancer.cornell.edu), Mar. 2009.

Daley, Harvard study backs bottle concern, says plastic used leaches Bisphenol A, The Boston Globe [www.boston.com/lifestyle/green/articles/2009/05/22/harvard\\_study\\_backs\\_bottle\\_concern\\_and](http://www.boston.com/lifestyle/green/articles/2009/05/22/harvard_study_backs_bottle_concern_and): [www.organickidz.ca/stainless-steel-bpa/news-articles](http://www.organickidz.ca/stainless-steel-bpa/news-articles), May 22, 2009.

Examination Report issued in United Kingdom Patent Application No. GB1218578.1 dated Oct. 31, 2012.

Garvey, World's first stainless steel baby bottles—safe, strong and sustainable, [www.gizmag.com/worlds-first-stainless-steel-baby-bottles/12910](http://www.gizmag.com/worlds-first-stainless-steel-baby-bottles/12910), Sep. 22, 2009.

International Search Report and Written Opinion for International Application No. PCT/US2011/029098, Notification mailed Nov. 28, 2011.

Mittelstaedt, Bisphenol A poses disease risk for adults, study says., [theglobeandmail.com/technology/science/.../article1061117](http://theglobeandmail.com/technology/science/.../article1061117), Sep. 16, 2008.

Mommyauctions, Bottle raid 2007!, [mommyauctions.com/blog/2007/10/01/kitchen-raid-2007-what's-the-scoop-on-all-the-bpa-free-hype](http://mommyauctions.com/blog/2007/10/01/kitchen-raid-2007-what-s-the-scoop-on-all-the-bpa-free-hype), Oct. 1, 2007.

My Precious Kid, Baby Bottles—BPA free/stainless steel on sale, <http://www.mypreciouskid.com/blog/2009/10/baby-bottles-bpa-free-stainless-steel-on-sale/>, Oct. 21, 2009.

Nuby Replacement Spouts, Copyright 2011.

Organickidz, About us, [www.organickidz.ca/about-us/founder](http://www.organickidz.ca/about-us/founder), Pub. Date Unknown.

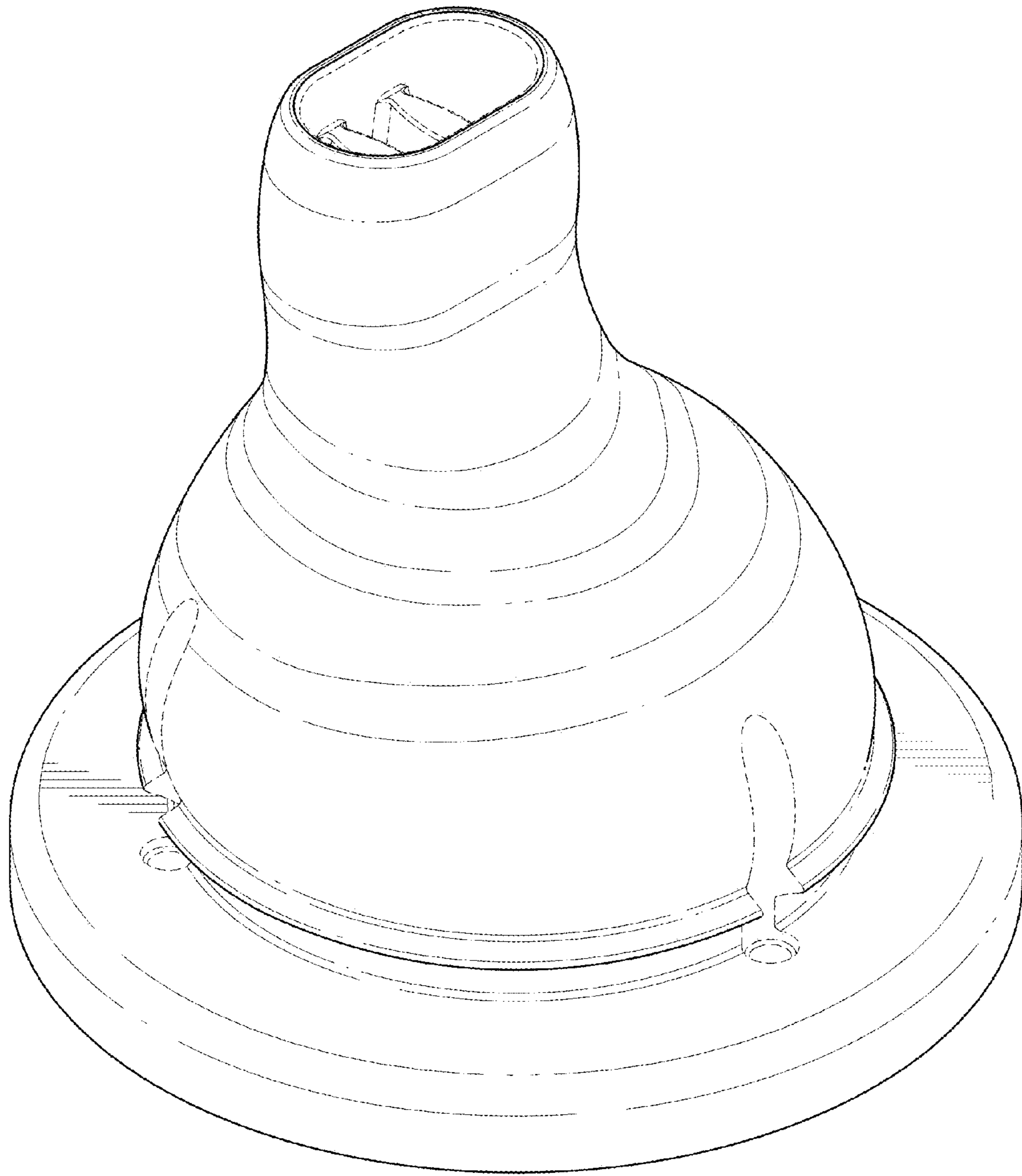
Stannard, Yale study details how and why of BPA's dangers, [www.ehhi.org/plastics/taylor\\_nhregister\\_0310.shtml](http://www.ehhi.org/plastics/taylor_nhregister_0310.shtml) and: [www.organickidz.ca/stainless-steel-bpa/news-articles](http://www.organickidz.ca/stainless-steel-bpa/news-articles), Mar. 9, 2010.

Tejada, Avoid Bisphenol A when you can, [www.azcentral.com/community/chandler/citizen/articles/2009/05/26/20090526fr-askexpert0527.html](http://www.azcentral.com/community/chandler/citizen/articles/2009/05/26/20090526fr-askexpert0527.html), May 26, 2009.

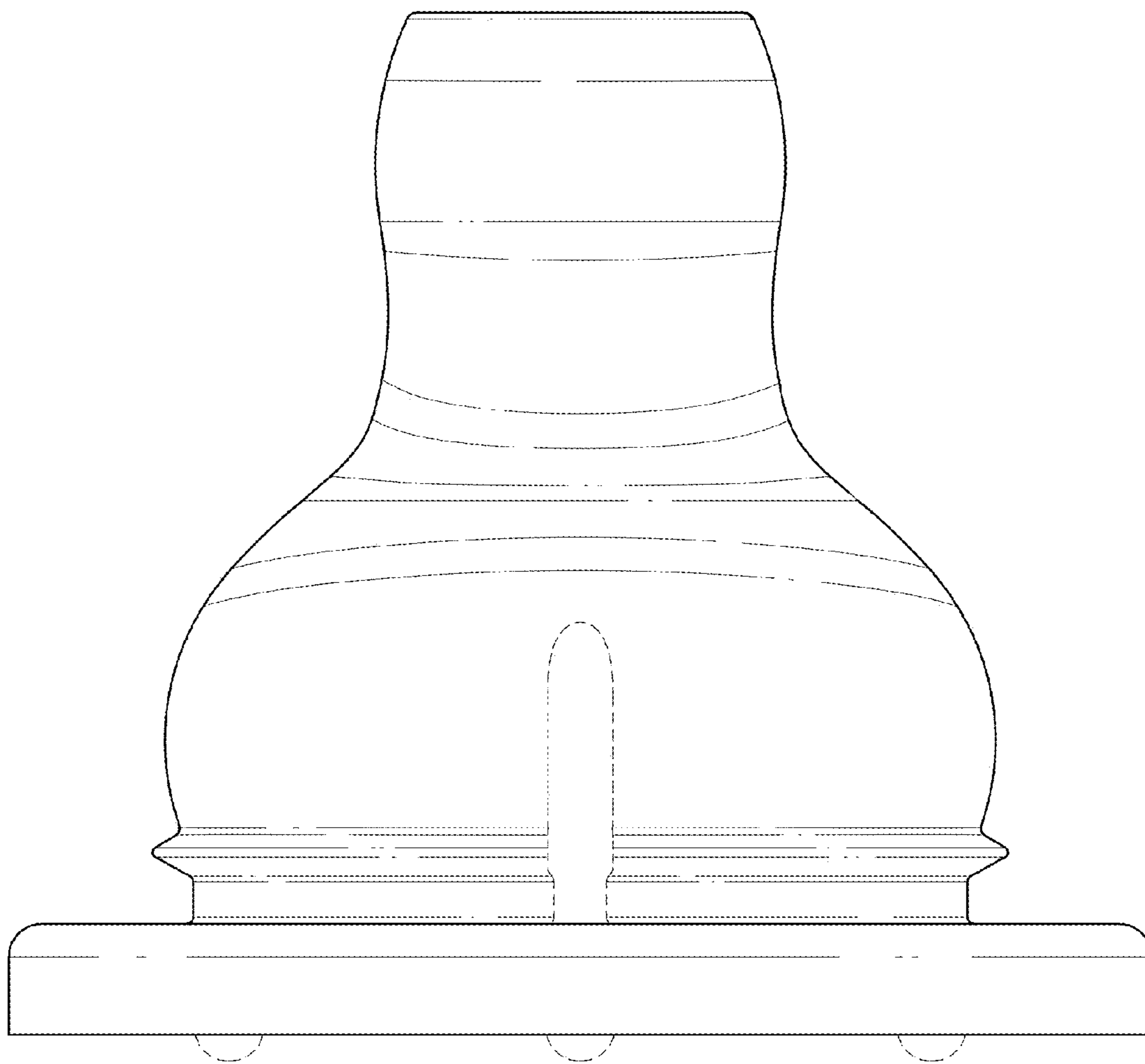
Wellings, Concerns over baby bottles, <http://au.news.yahoo.com/today-tonight/latest/article/-/6098435/concerns-over-baby-bottles>, Sep. 24, 2009.

Wiley, Stainless Steel Baby Bottles are the best alternative to plastic, [voices.yahoo.com/stainless-steel-baby-bottles-best-alternative-2999481.html?cat=25](http://voices.yahoo.com/stainless-steel-baby-bottles-best-alternative-2999481.html?cat=25), Mar. 6, 2009.

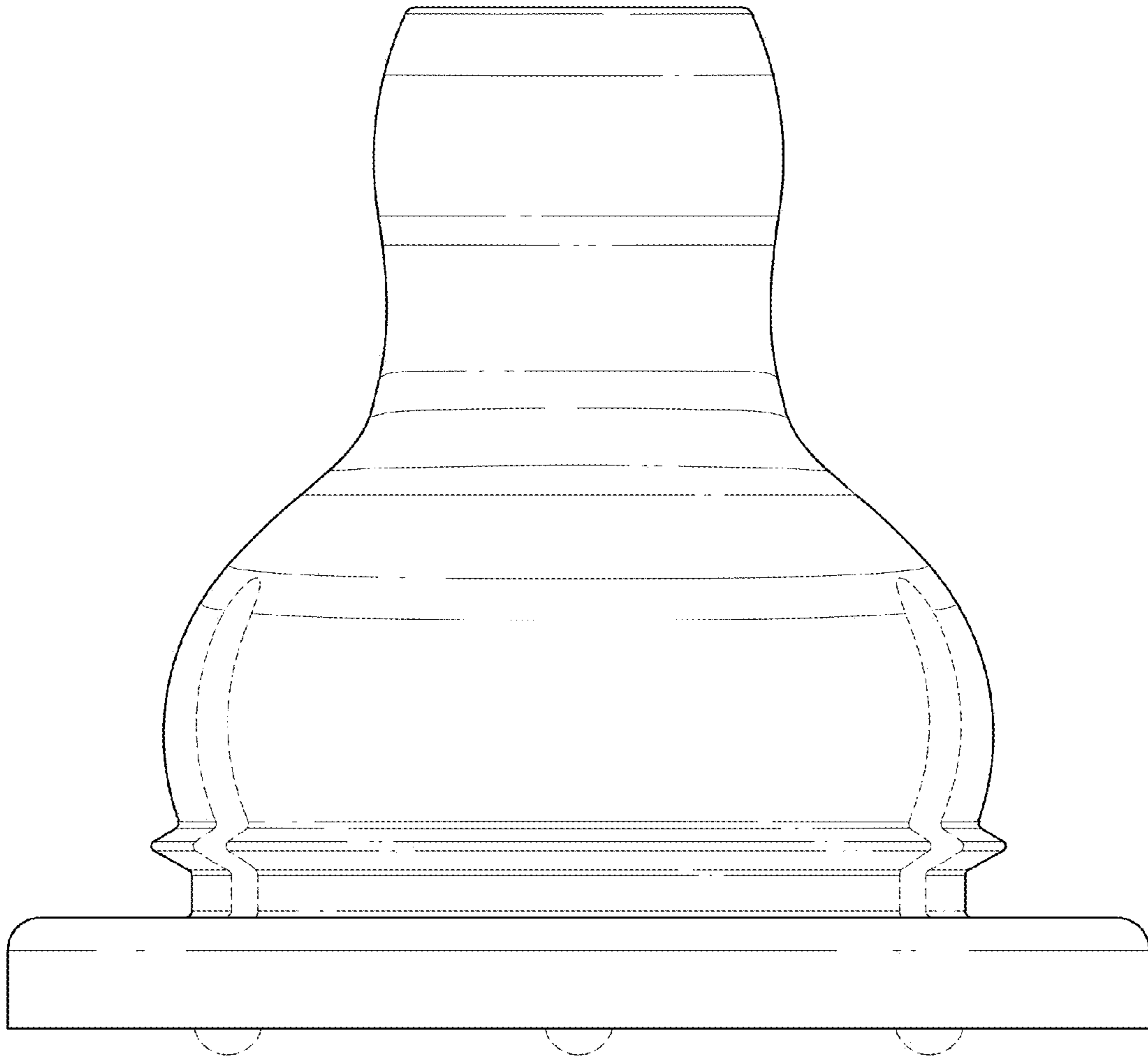
\* cited by examiner



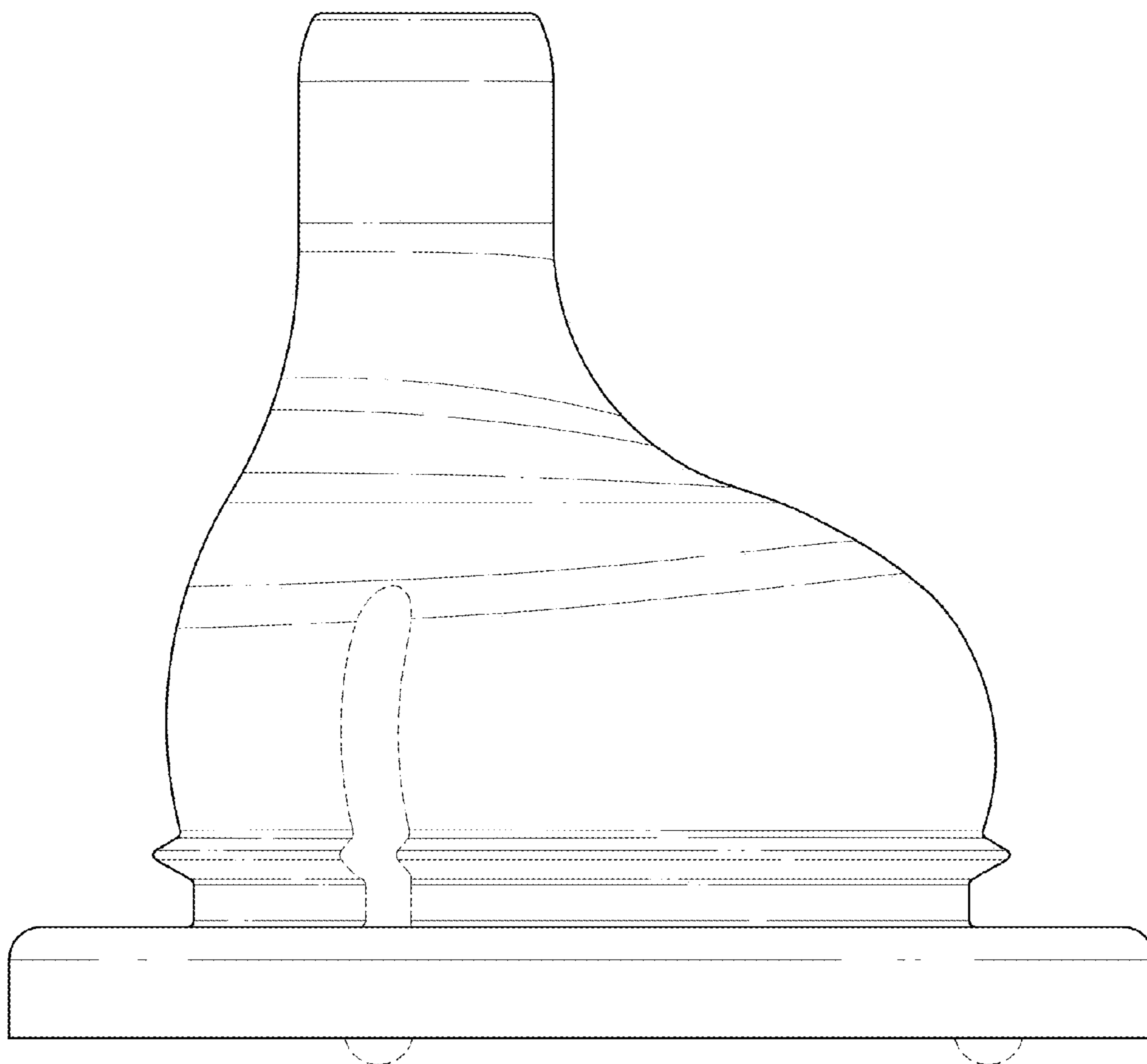
*FIG. 1*



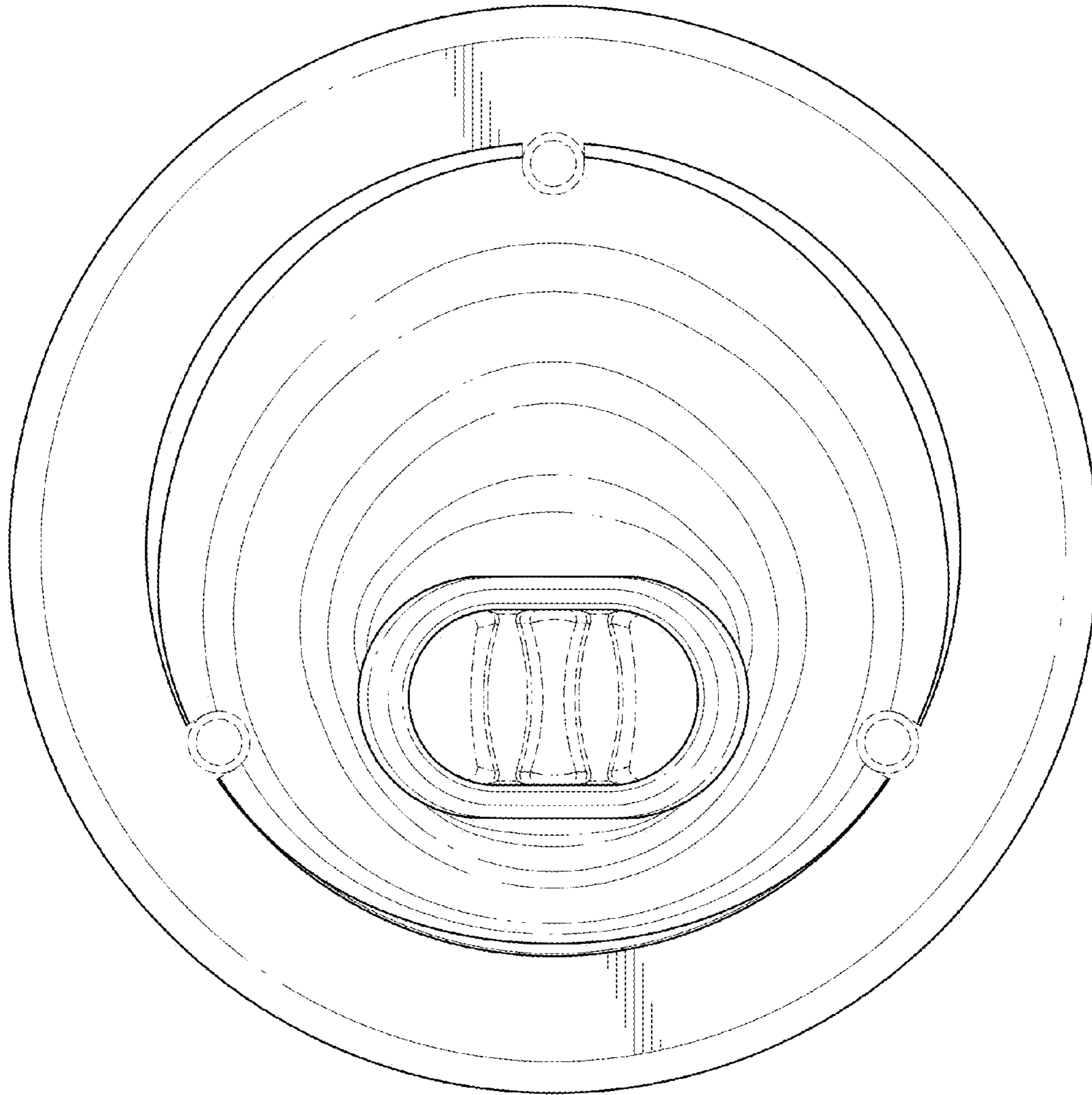
*FIG. 2*



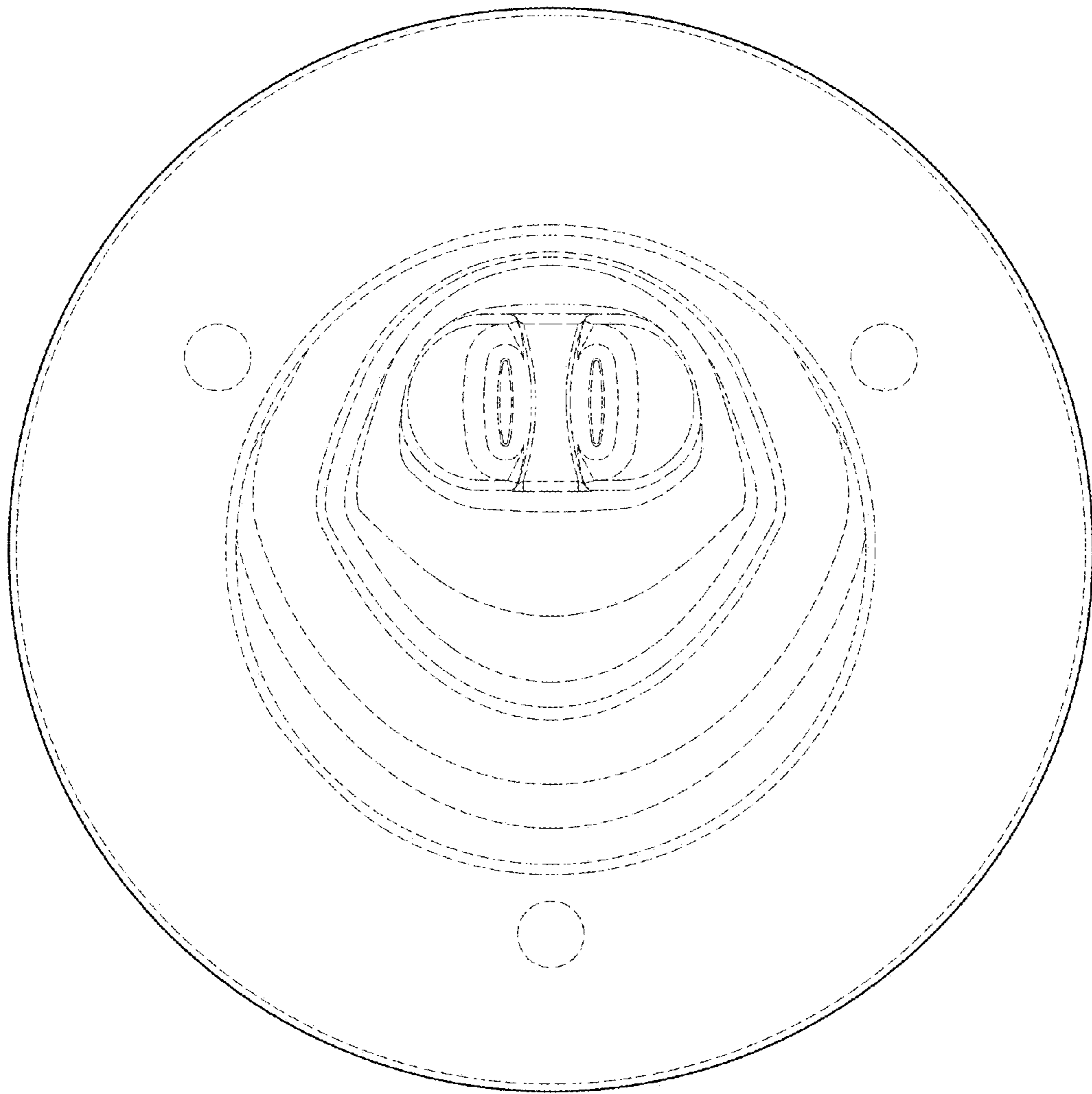
*FIG. 3*



*FIG. 4*



*FIG. 5*



*FIG. 6*