



US00D724232S

(12) **United States Design Patent**
Bengochea et al.

(10) **Patent No.:** **US D724,232 S**
(45) **Date of Patent:** **** Mar. 10, 2015**

(54) **THERAPEUTIC HELMET**

(71) Applicant: **Pediatric Innovations USA, LLC**,
Doral, FL (US)

(72) Inventors: **Jose Bengochea**, Doral, FL (US);
Alejandro Nunez, Doral, FL (US)

(73) Assignee: **Pediatric Innovations USA, LLC**,
Doral, FL (US)

(**) Term: **14 Years**

(21) Appl. No.: **29/465,602**

(22) Filed: **Aug. 29, 2013**

(51) **LOC (10) Cl.** **24-01**

(52) **U.S. Cl.**
USPC **D24/191; D29/102**

(58) **Field of Classification Search**
CPC A42B 3/08; A42B 3/14; A42B 3/12;
A42B 3/20; A42B 3/06; A42B 3/10; A42B
3/324; A42B 3/326; A42B 3/125; A61F 9/06;
A61F 9/061; A61F 9/068; A61F 9/027;
A62B 18/04; A63B 71/10; Y10S 2/909;
Y10S 2/906; B29L 2031/4821
USPC D24/110.2, 110.3, 190-191;
D29/102-110, 122; 2/2.11, 2.14, 2.15,
2/5, 6.1-6.7, 7, 8.1-8.8, 9, 10-13, 15,
2/171, 171.1, 171.3, 175.4, 175.6, 181,
2/200.1, 200.2, 202, 205, 206, 208,
2/209.13, 209.4, 410-454, 457, 468;
D21/315, 713, 780, 781, 799.1;
128/201.23, 201.24, 201.29, 202.11;
250/330; 345/8; 348/82, 157, 373, 374;
396/429, 433; D14/129; D16/208;
D2/175.6, 865, 869, 875, 877, 880,
D2/891, 892, 895

See application file for complete search history.

(56) **References Cited**

U.S. PATENT DOCUMENTS

| | | | | | | |
|--------------|----|---|---------|-------------------|-------|---------|
| D266,626 | S | * | 10/1982 | Gooding | | D29/106 |
| D335,366 | S | * | 5/1993 | Podd et al. | | D29/102 |
| D382,671 | S | * | 8/1997 | Shewchenko | | D29/106 |
| D410,768 | S | * | 6/1999 | Hirsh | | D29/102 |
| 6,003,156 | A | * | 12/1999 | Anderson | | 2/421 |
| 6,065,159 | A | * | 5/2000 | Hirsh | | 2/425 |
| D495,057 | S | * | 8/2004 | McCoy | | D24/191 |
| D613,458 | S | * | 4/2010 | Righetti | | D29/102 |
| 8,091,150 | B2 | * | 1/2012 | Bengochea | | 2/425 |
| 8,209,783 | B1 | * | 7/2012 | Lone Eagle | | 2/422 |
| 2011/0145981 | A1 | * | 6/2011 | Teetzel et al. | | 2/422 |
| 2011/0167541 | A1 | * | 7/2011 | Chilson | | 2/411 |
| 2013/0086733 | A1 | * | 4/2013 | Szalkowski et al. | | 2/414 |
| 2014/0020159 | A1 | * | 1/2014 | Teetzel et al. | | 2/422 |

* cited by examiner

Primary Examiner — George D Kirschbaum

Assistant Examiner — Jennifer Watkins

(74) *Attorney, Agent, or Firm* — Laurence A. Greenberg;
Werner H. Stemer; Ralph E. Locher

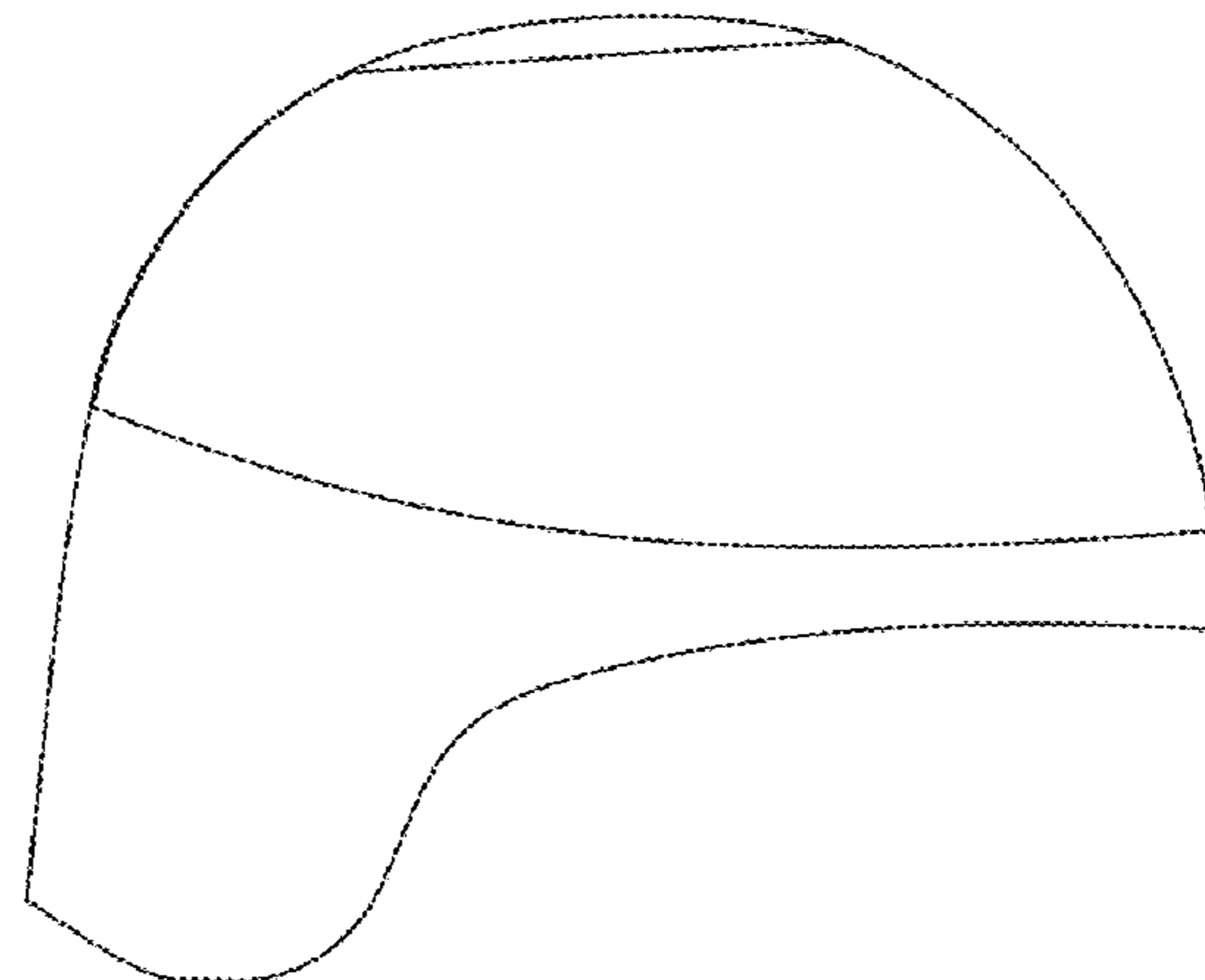
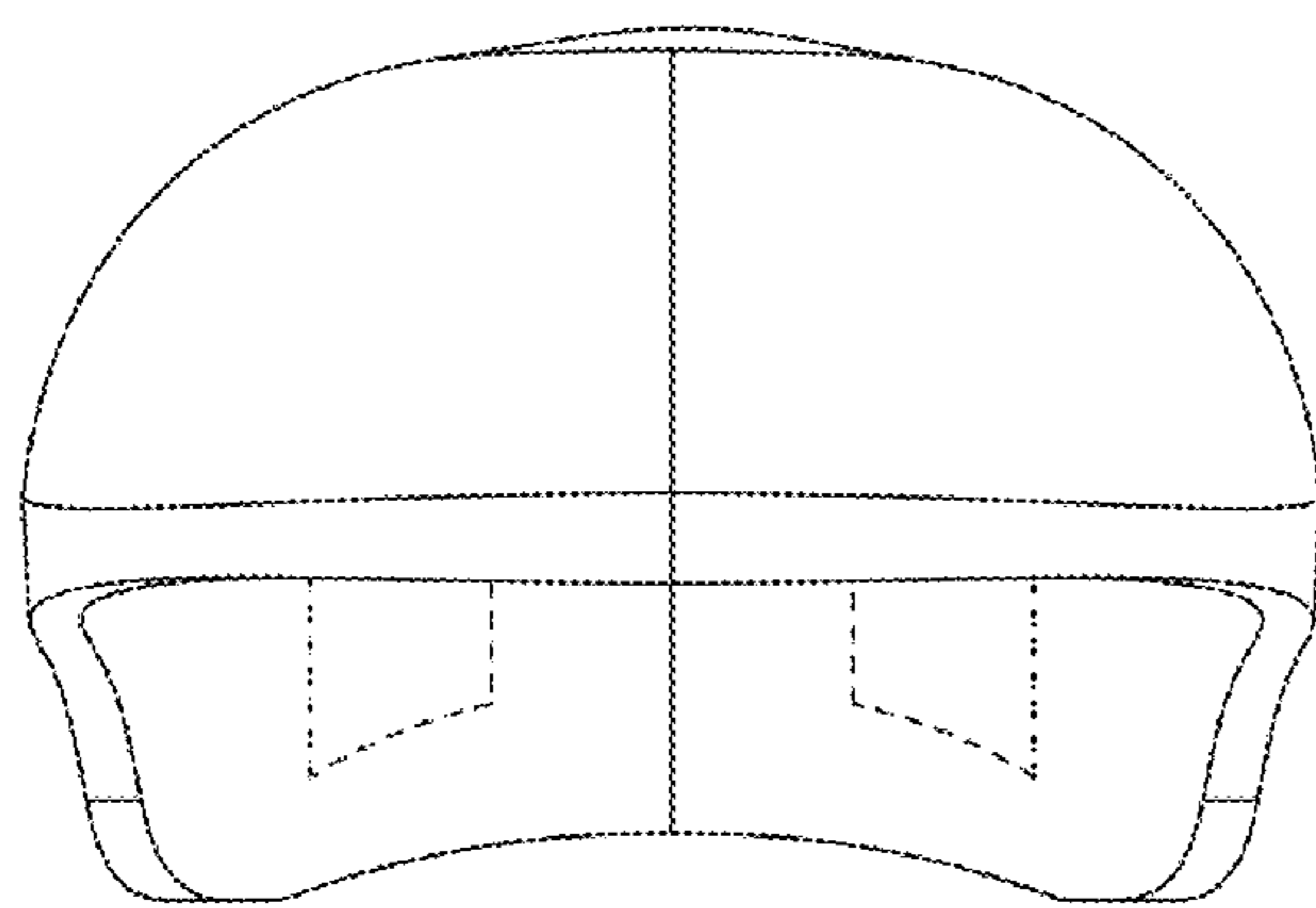
(57) **CLAIM**

The ornamental design for a therapeutic helmet, as shown and described.

DESCRIPTION

FIG. 1 is a front-elevational view of a therapeutic helmet according to my new design;
FIG. 2 is a rear-elevational view thereof;
FIG. 3 is a right side-elevational view thereof;
FIG. 4 is a left side-elevational view thereof;
FIG. 5 is a top-plan view thereof;
FIG. 6 is a bottom-plan view thereof; and,
FIG. 7 is a perspective view thereof.
The broken lines depict portions of the therapeutic helmet that form no part of the claimed design.

1 Claim, 1 Drawing Sheet



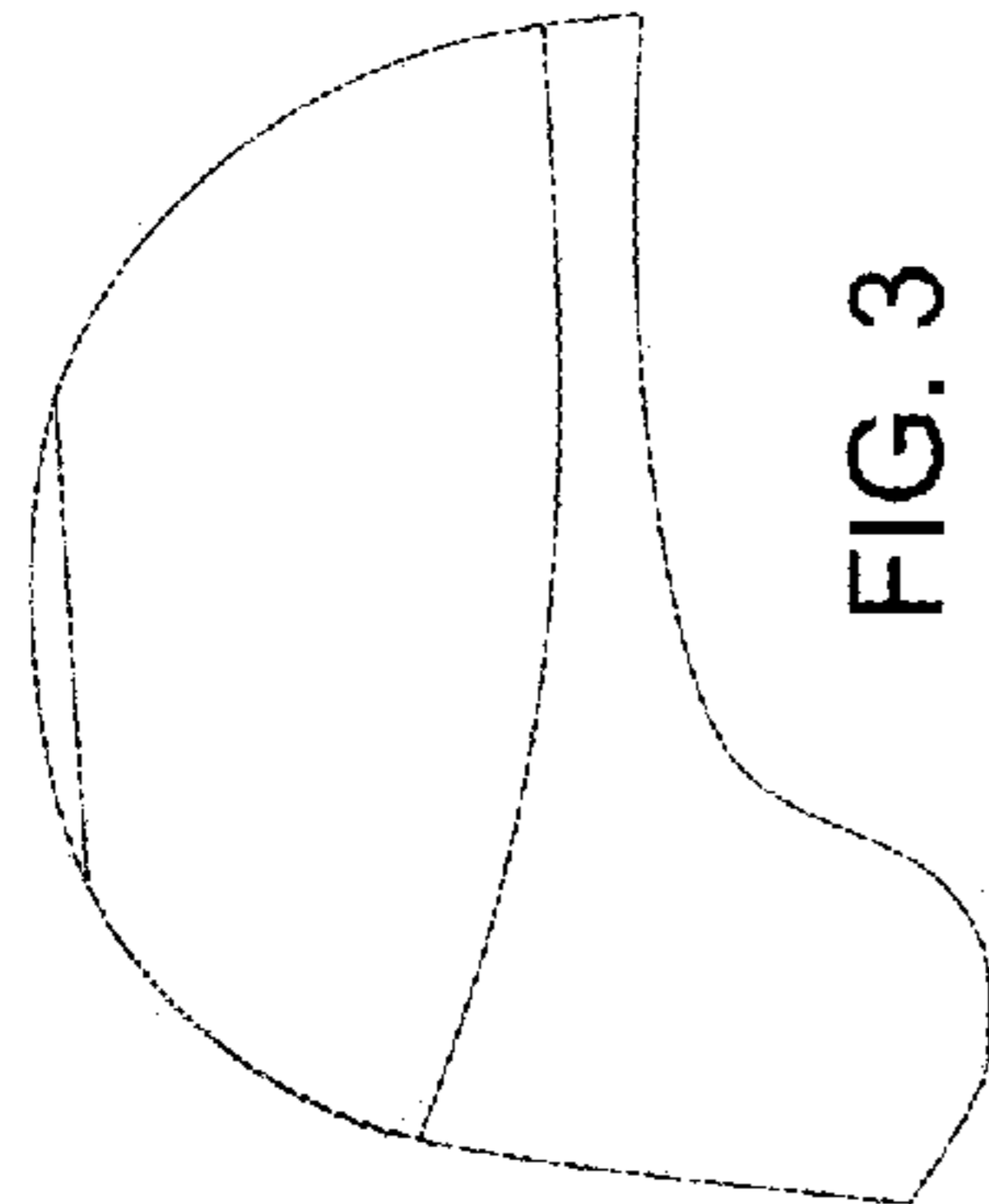


FIG. 3

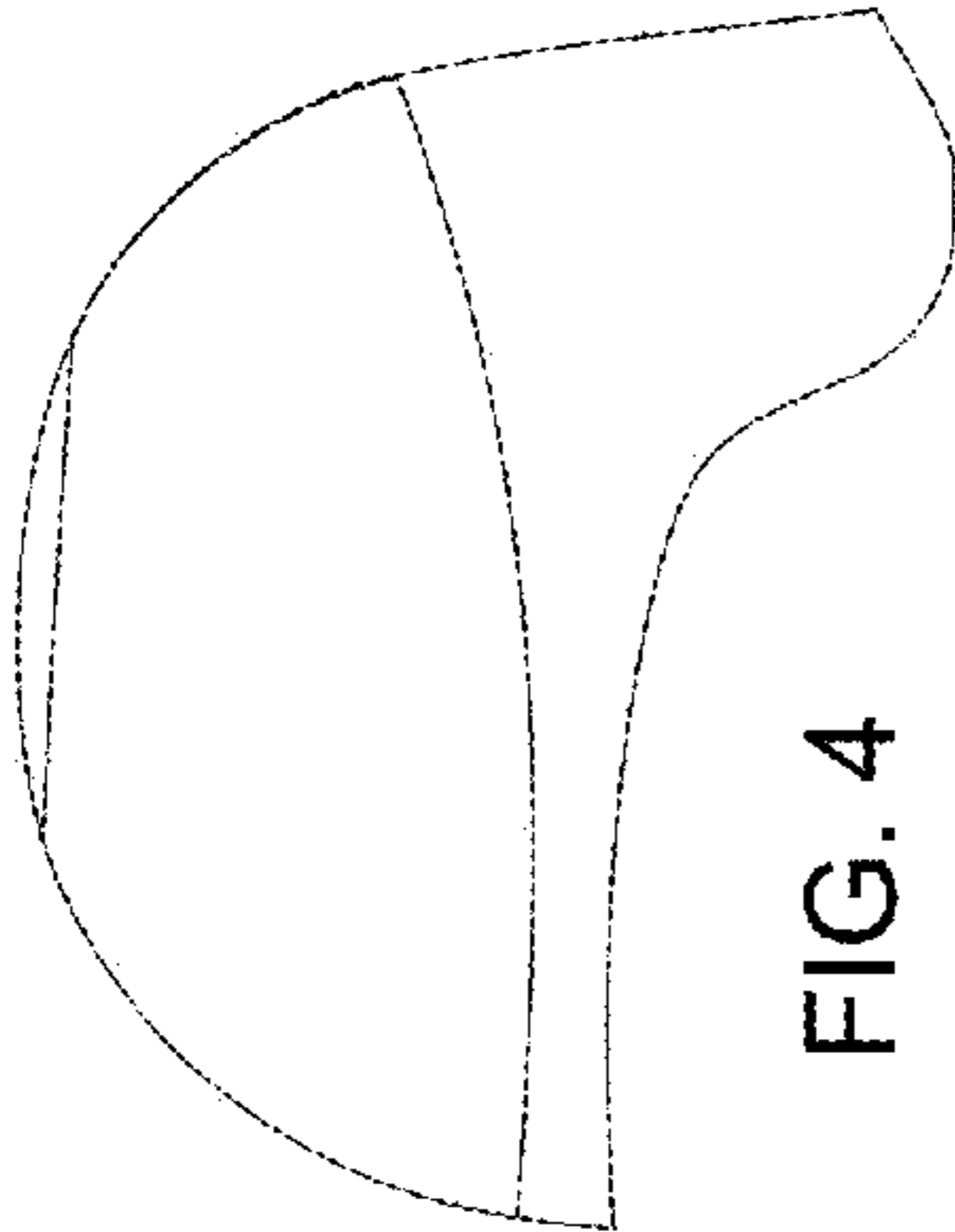


FIG. 4

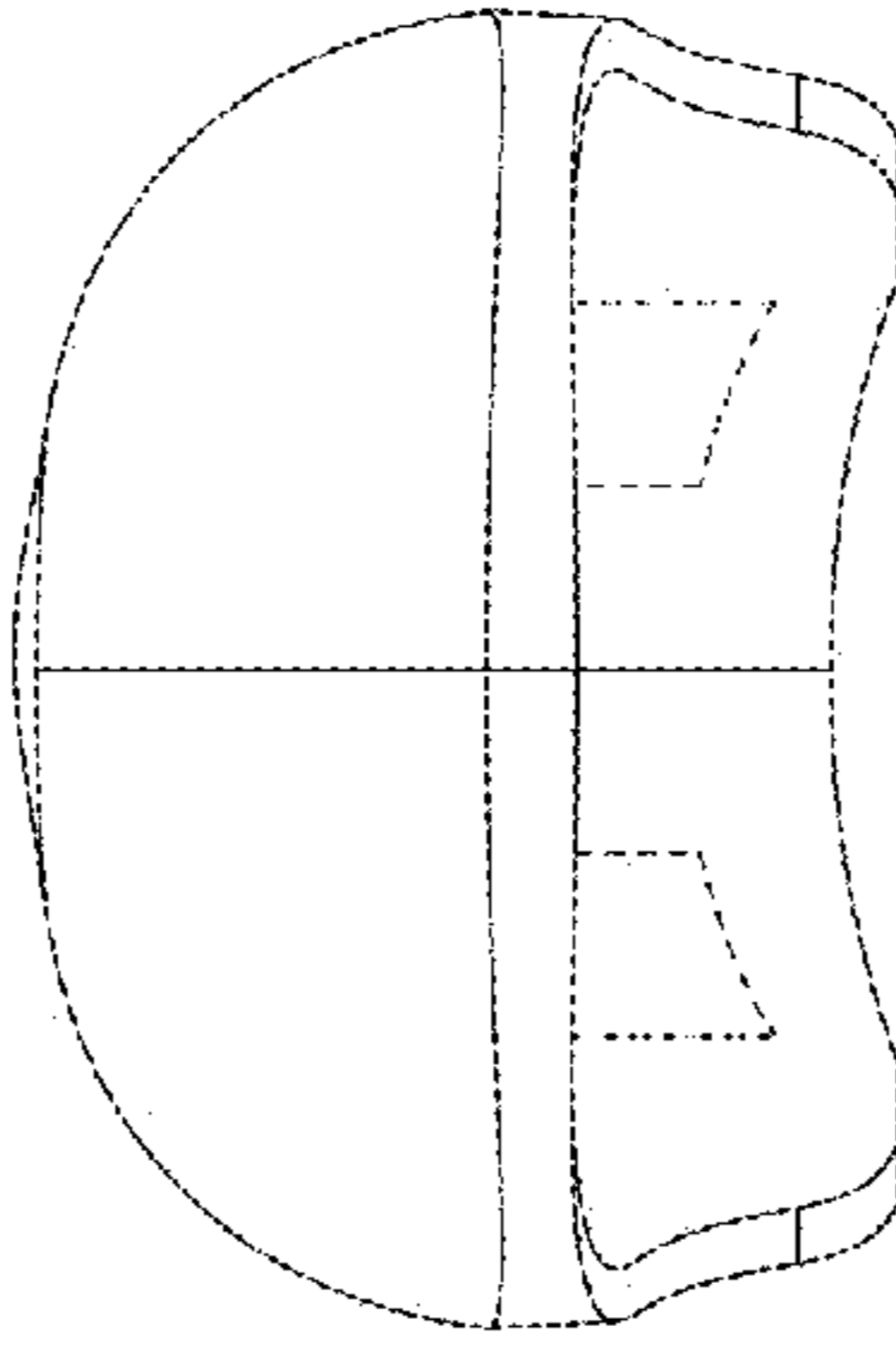


FIG. 1

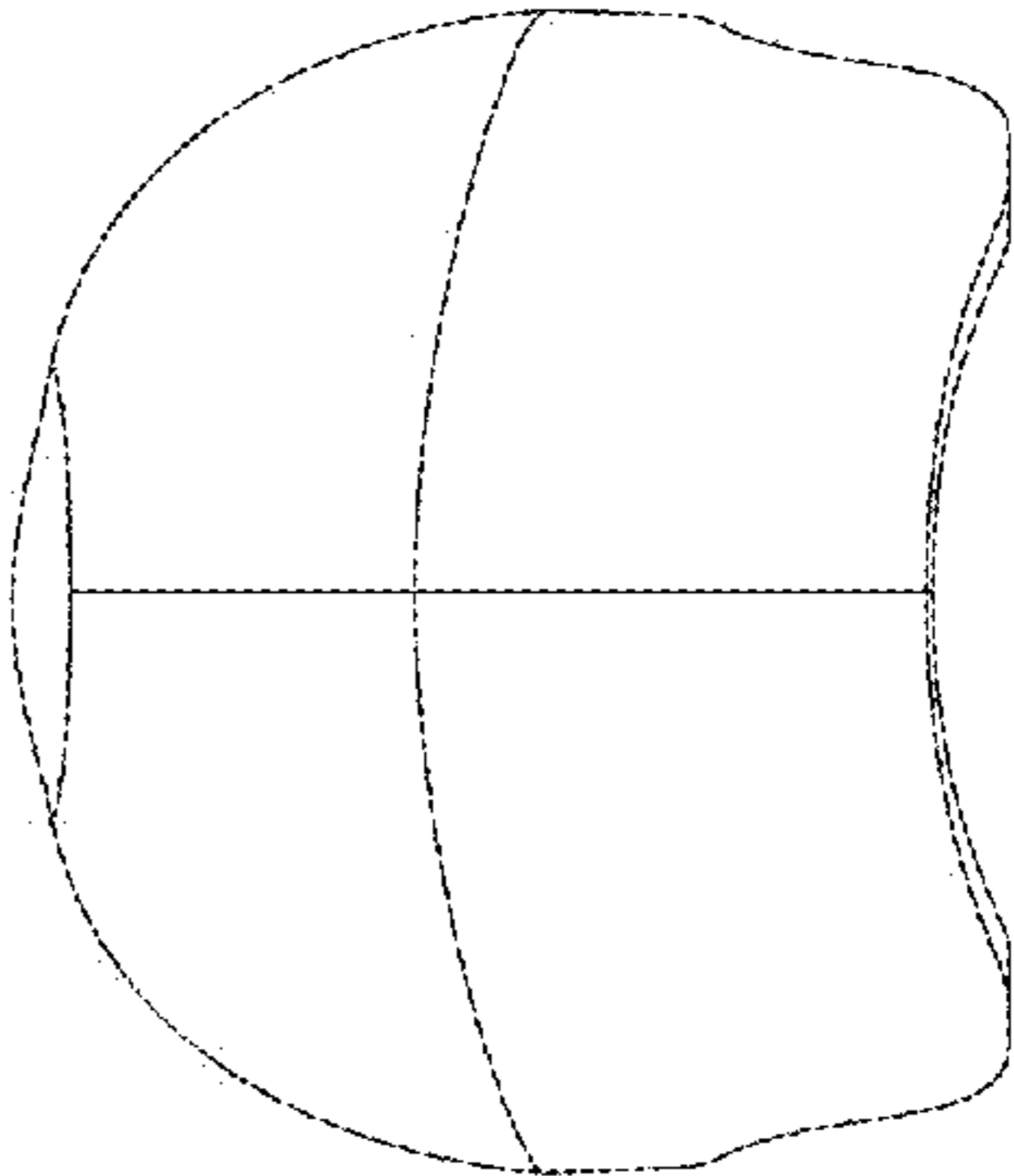


FIG. 2

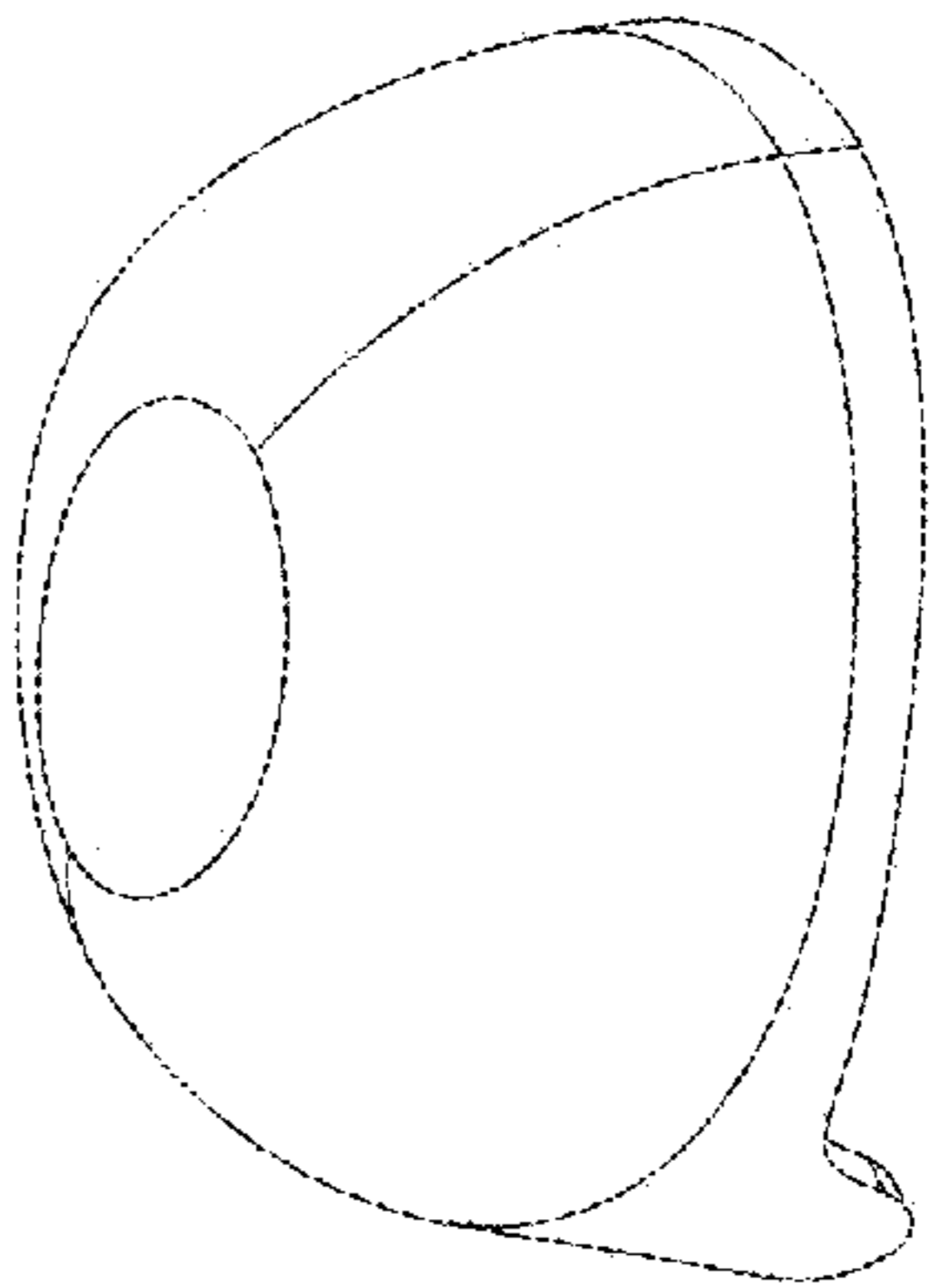


FIG. 7

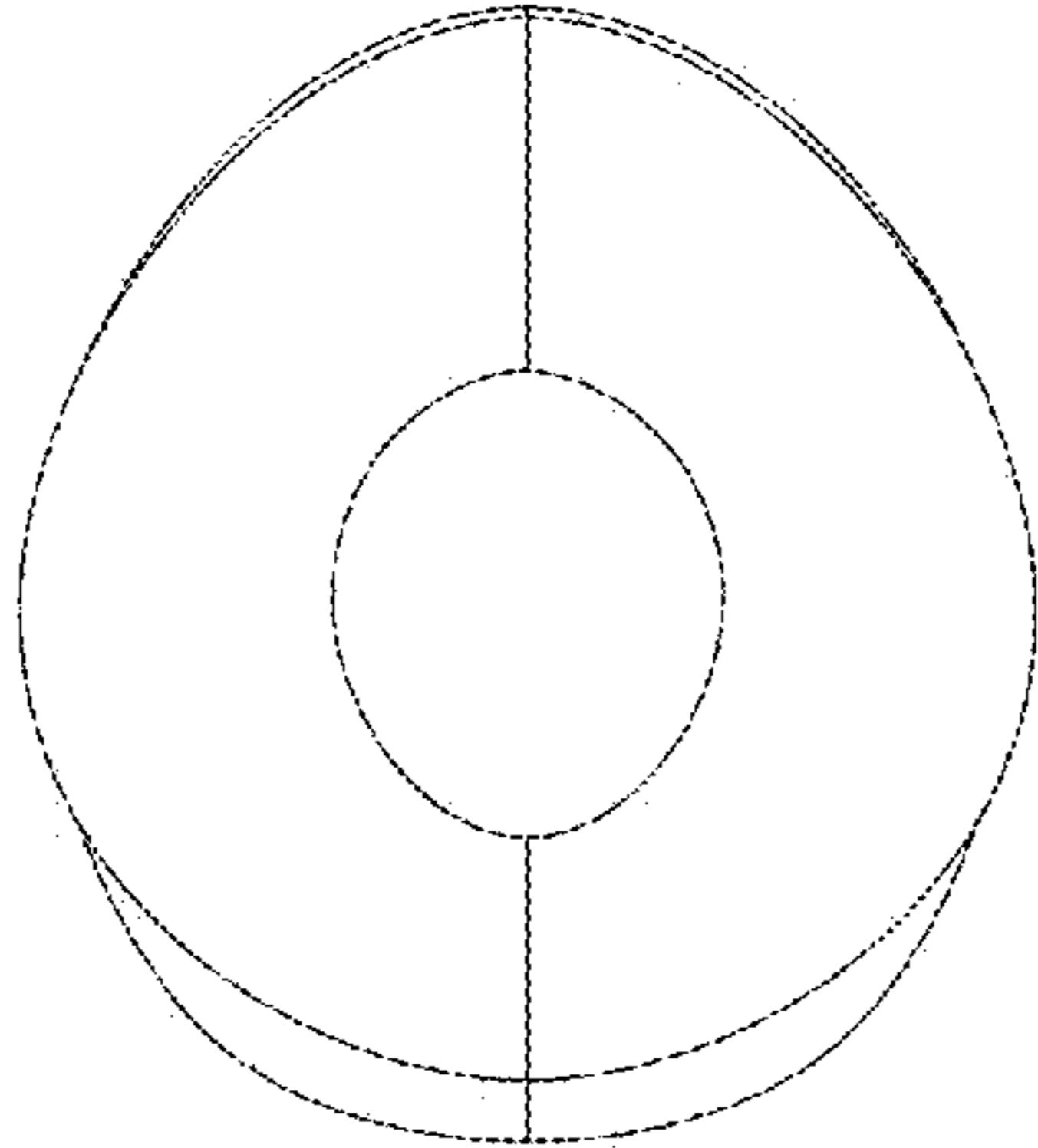


FIG. 5

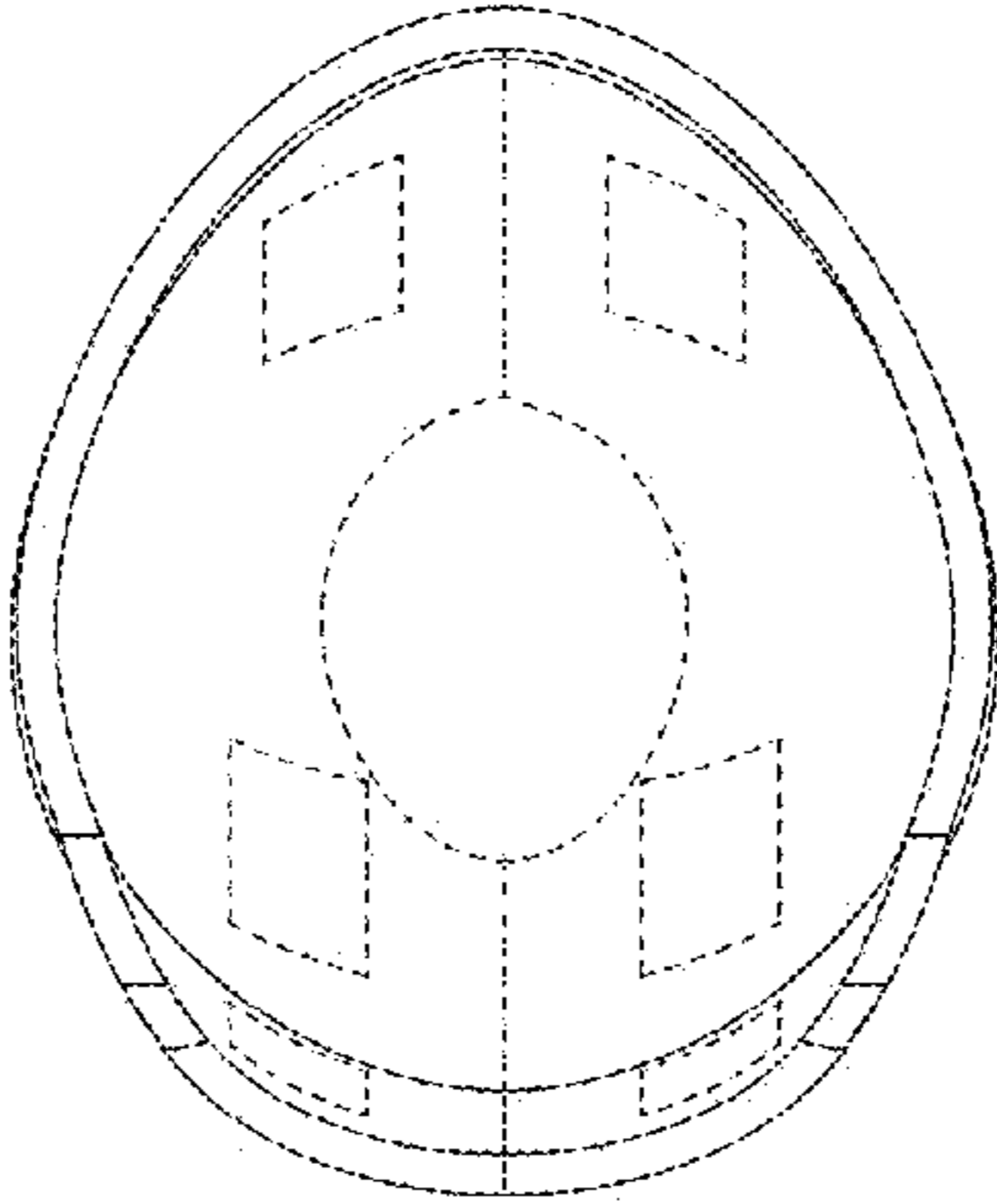


FIG. 6