



US00D724231S

(12) **United States Design Patent**
Medart et al.

(10) **Patent No.:** **US D724,231 S**
(45) **Date of Patent:** **** Mar. 10, 2015**

(54) **MODULE FOR EXTRA-CORPOREAL HEART AND/OR LUNG SUPPORT**

(75) Inventors: **Daniel Medart**, Mahwah, NJ (US);
Ulrich Haag, Hechingen (DE)

(73) Assignee: **Maquet Cardiopulmonary AG**,
Hirrlingen (DE)

(**) Term: **14 Years**

(21) Appl. No.: **29/419,704**

(22) Filed: **May 1, 2012**

Related U.S. Application Data

(62) Division of application No. 29/350,147, filed on Nov. 12, 2009, now Pat. No. Des. 669,185.

(51) **LOC (10) Cl.** **24-01**

(52) **U.S. Cl.**
USPC **D24/186**

(58) **Field of Classification Search**
USPC D24/164–169, 185–186, 107, 111;
D10/98; 600/301, 481, 483–485, 490,
600/493–495, 499, 500, 501, 503, 510;
128/900, DIG. 3; 607/4–7, 10, 26;
422/45, 46, 44, 48, 111; 604/6.14,
604/6.15, 6.13, 4.01

See application file for complete search history.

(56) **References Cited**

U.S. PATENT DOCUMENTS

2,659,368	A *	11/1953	Gibbon, Jr. et al.	422/46
D279,705	S *	7/1985	Wada	D24/164
D280,340	S *	8/1985	Wada	D24/164
4,610,656	A *	9/1986	Mortensen	604/6.14
D309,011	S *	7/1990	Arioka et al.	D24/164
D422,695	S *	4/2000	van Engelen et al.	D24/107
6,428,747	B1 *	8/2002	Dueri et al.	422/46
6,468,473	B1 *	10/2002	Lindsay	604/6.15
6,723,283	B2 *	4/2004	Ghelli et al.	422/44

(Continued)

OTHER PUBLICATIONS

Product brochure, “Jostra QUADROX”, Maquet Cardiopulmonary AG, Dec. 2004, published at least in Germany.

“Oxygenators QUADROXi Small Adult”, Maquet Cardiopulmonary AG, 2007.

“What Makes Us Different Innovations by Maquet”, Maquet Cardiopulmonary AG, Sep. 2007.

(Continued)

Primary Examiner — T. Chase Nelson

Assistant Examiner — Mark Cavanna

(57) **CLAIM**

The ornamental design for a module for extra-corporeal heart and/or lung support, substantially as shown and described.

DESCRIPTION

FIG. 1 is a top, front perspective view of a module for extra-corporeal heart and/or lung support comprising a new, original and ornamental design;

FIG. 2 is a rear view of the module for extra-corporeal heart and/or lung support comprising the new, original and ornamental design;

FIG. 3 is a top view of the module for extra-corporeal heart and/or lung support comprising the new, original and ornamental design;

FIG. 4 is a bottom view of the module for extra-corporeal heart and/or lung support comprising the new, original and ornamental design;

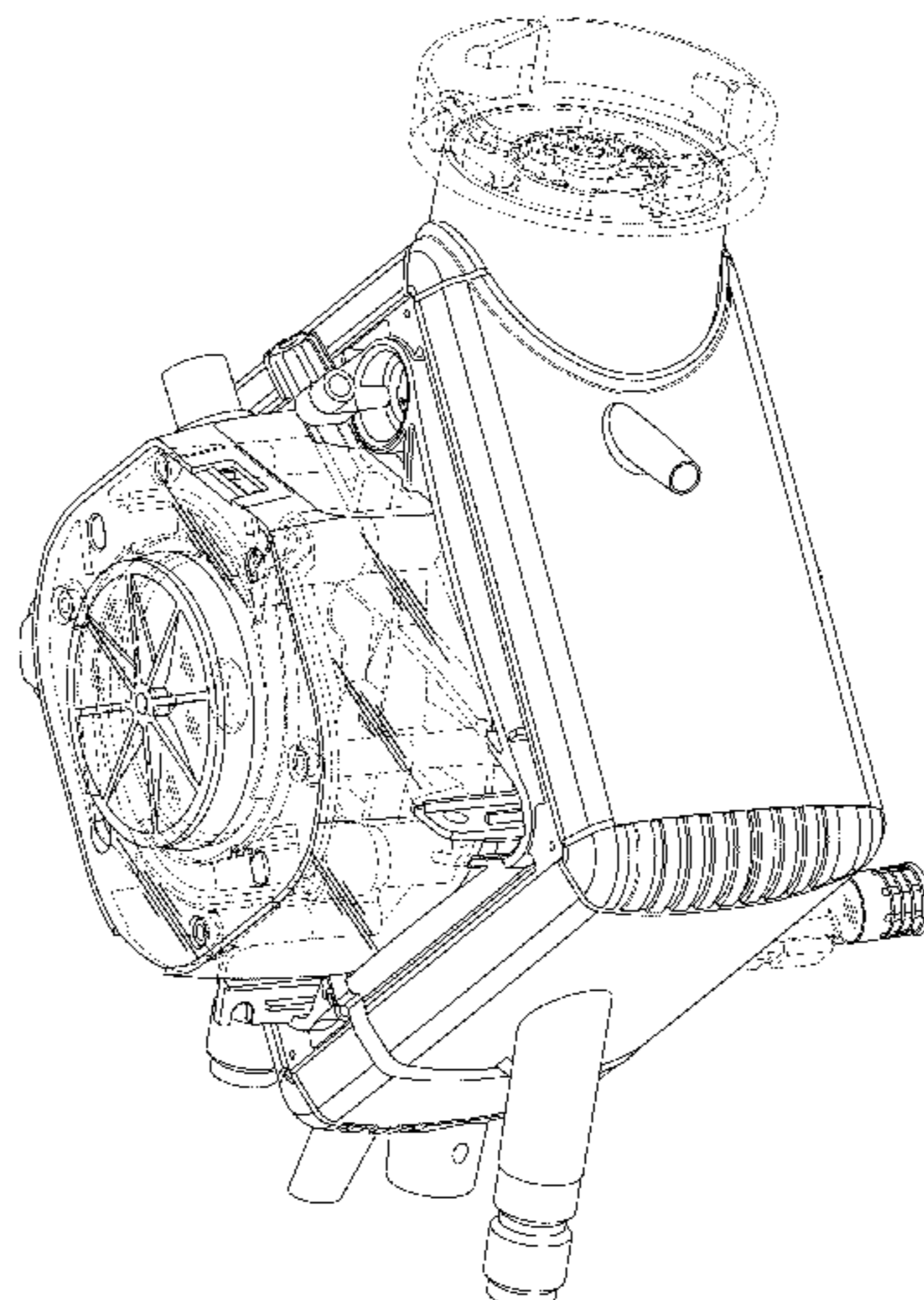
FIG. 5 is a top, front, right-hand side perspective view of a module for extra-corporeal heart and/or lung support comprising the new, original and ornamental design;

FIG. 6 is a top, rear, left-hand side perspective view of a module for extra-corporeal heart and/or lung support comprising the new, original and ornamental design; and,

FIG. 7 is a top, rear, left-hand side perspective view of a module for extra-corporeal heart and/or lung support comprising the new, original and ornamental design.

The broken lines are included for the purpose of illustrating portions of the module for extra-corporeal heart and/or lung support that form no part of the claimed design.

1 Claim, 7 Drawing Sheets



(56)

References Cited

U.S. PATENT DOCUMENTS

7,238,320 B2 * 7/2007 Ghelli et al. 422/45
8,409,502 B2 * 4/2013 Mortensen et al. 604/6.14

OTHER PUBLICATIONS

“The New QUADROXi-Generation Where Integration Meets Innovation”, Maquet Cardioplumunary AG, Aug. 2006.

* cited by examiner

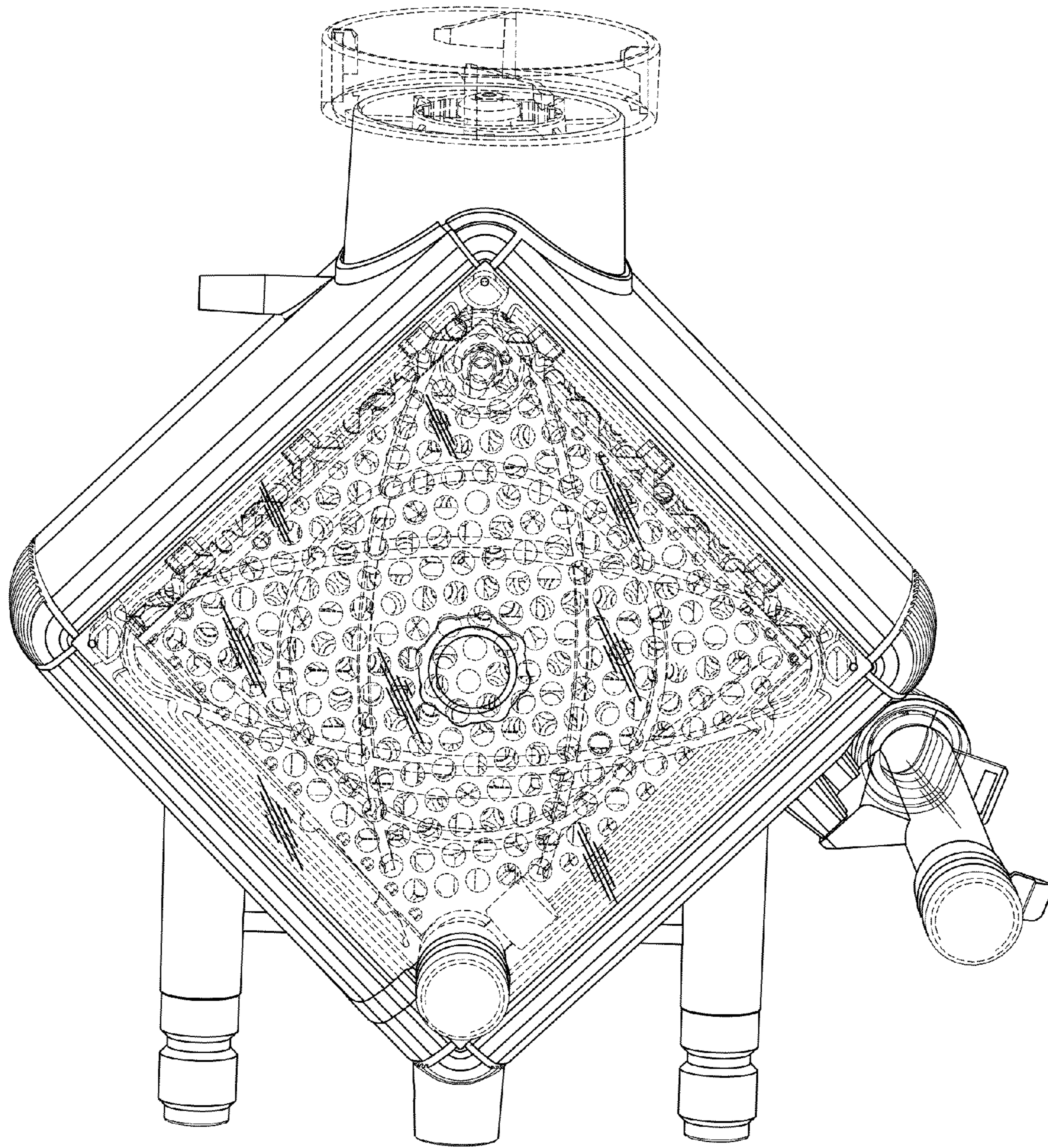


FIG. 1

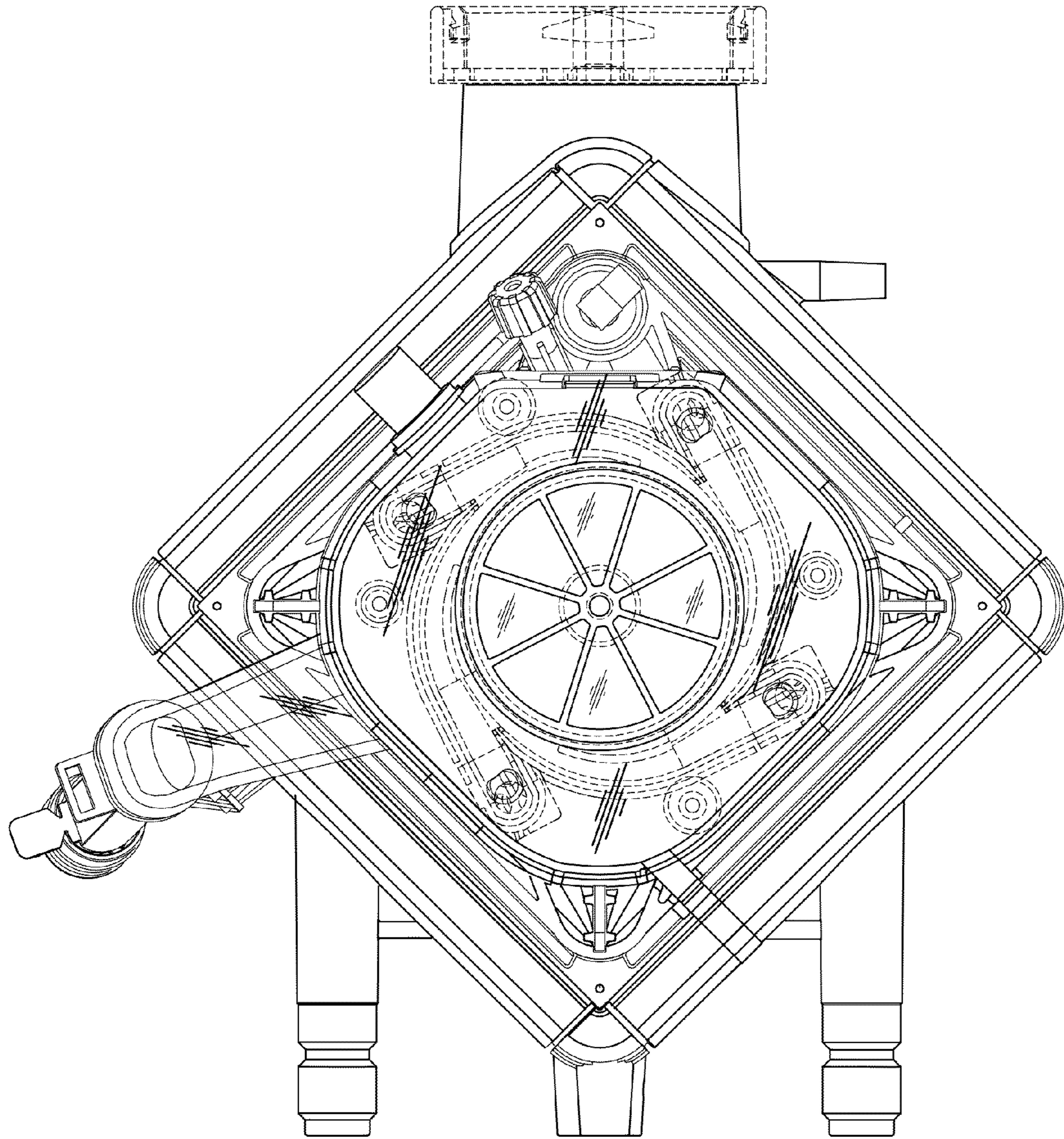


FIG.2

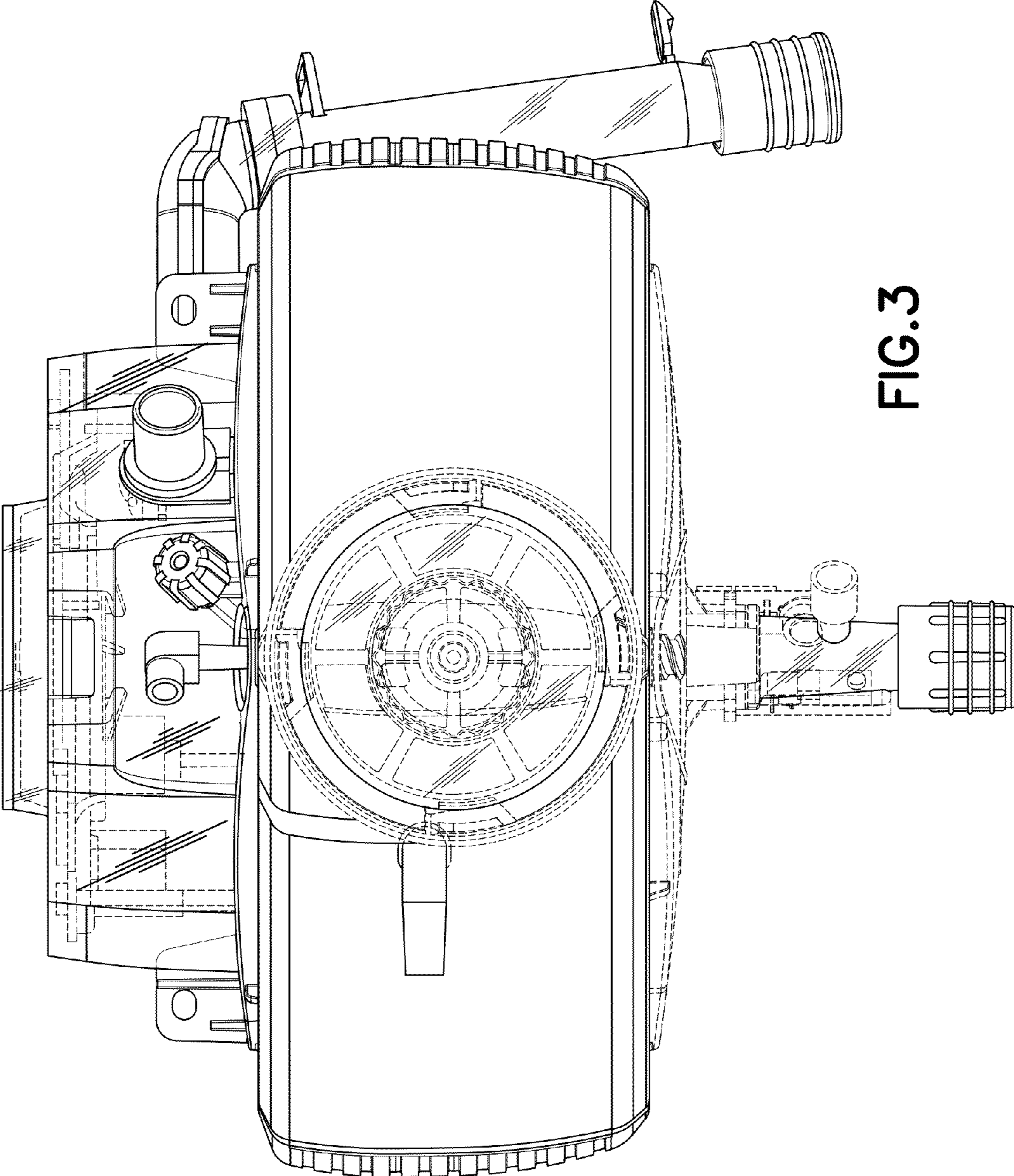


FIG.3

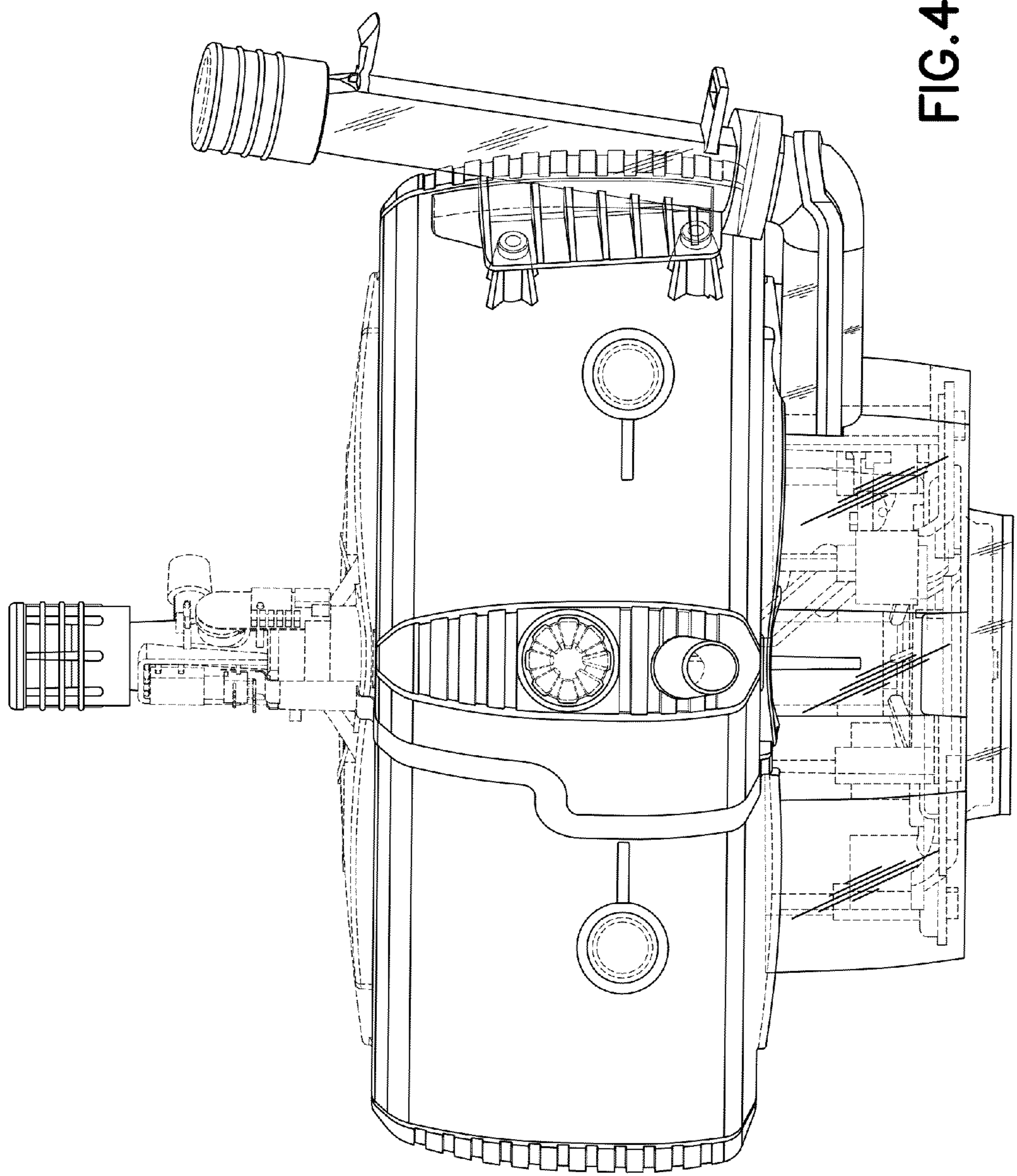


FIG. 4

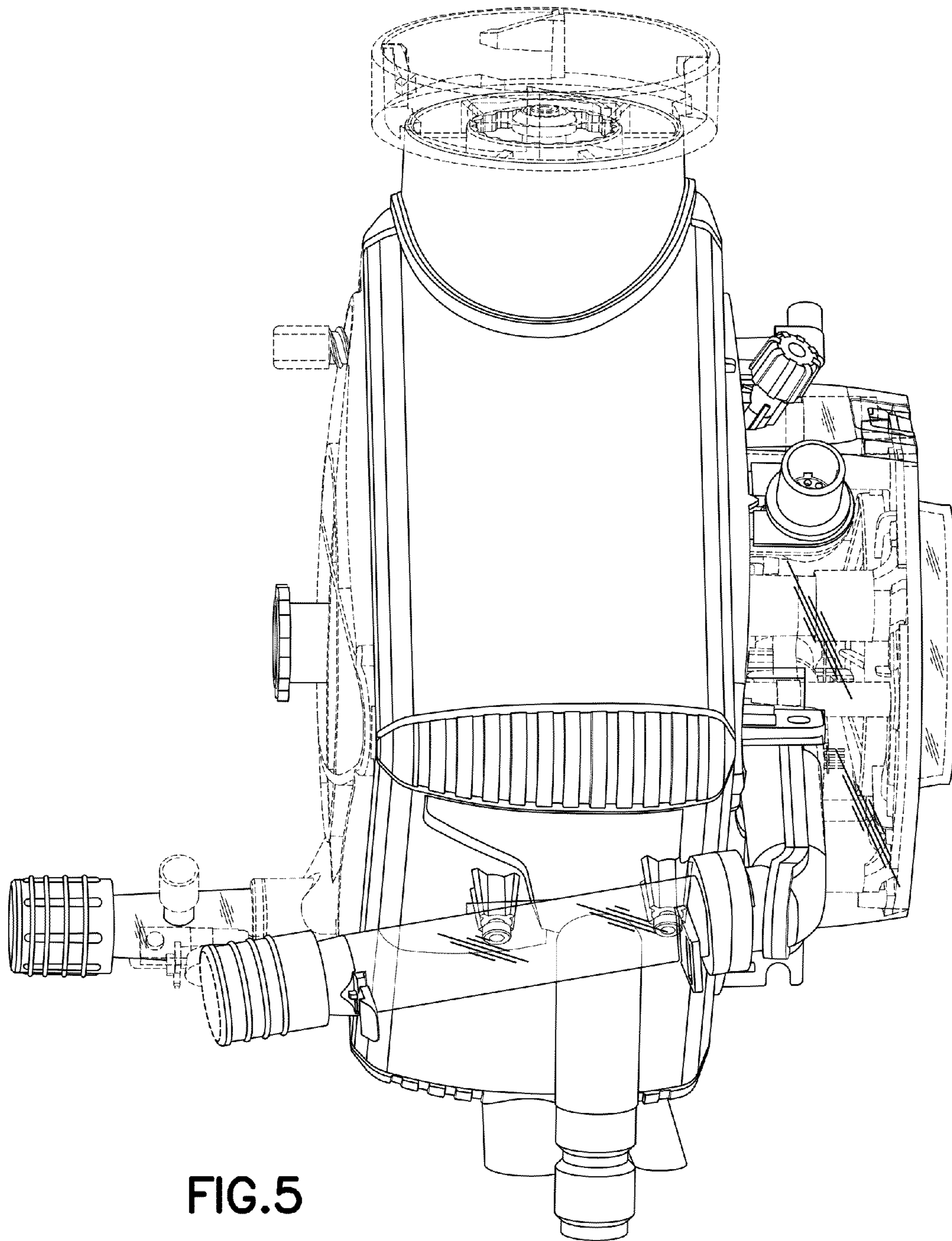


FIG.5

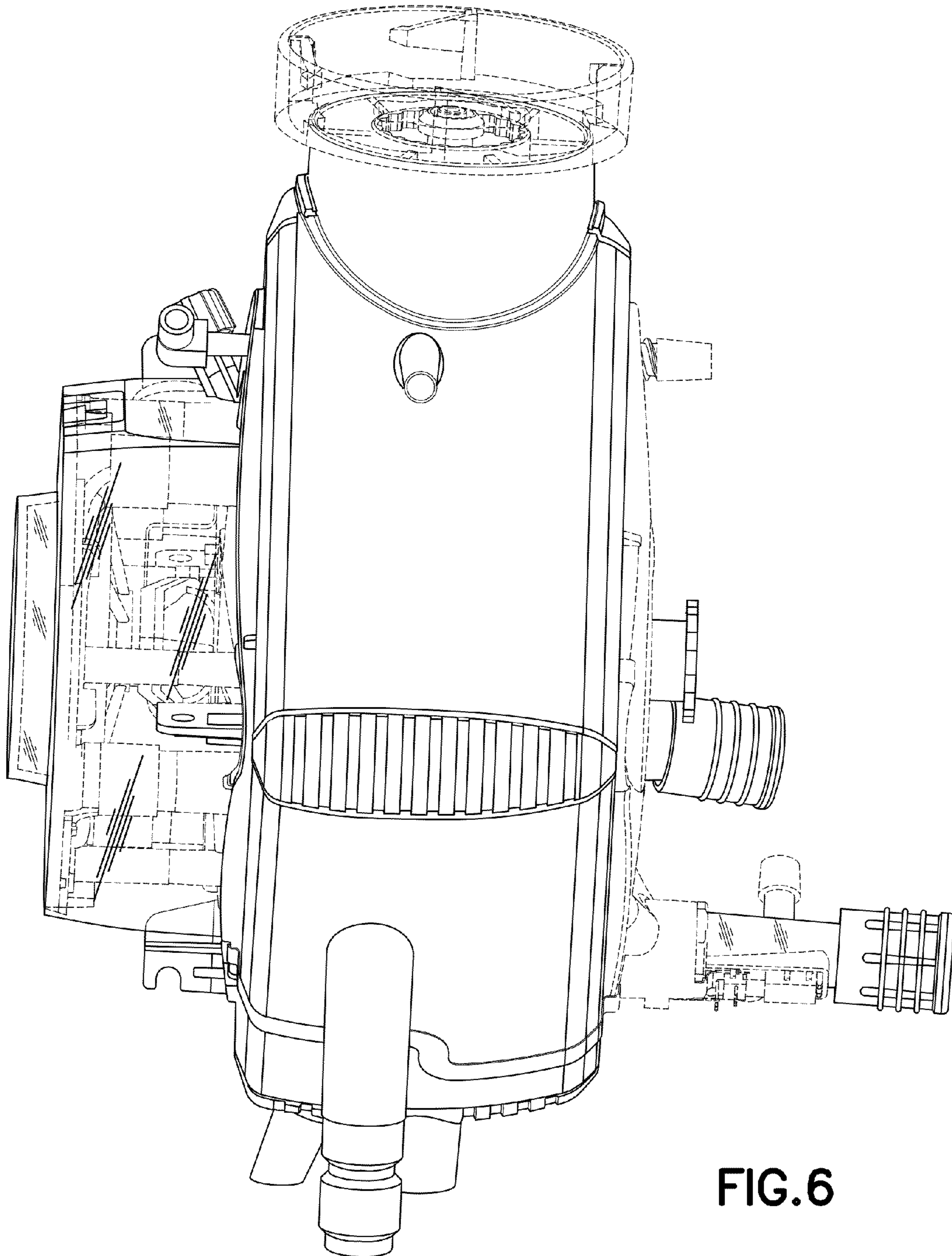


FIG. 6

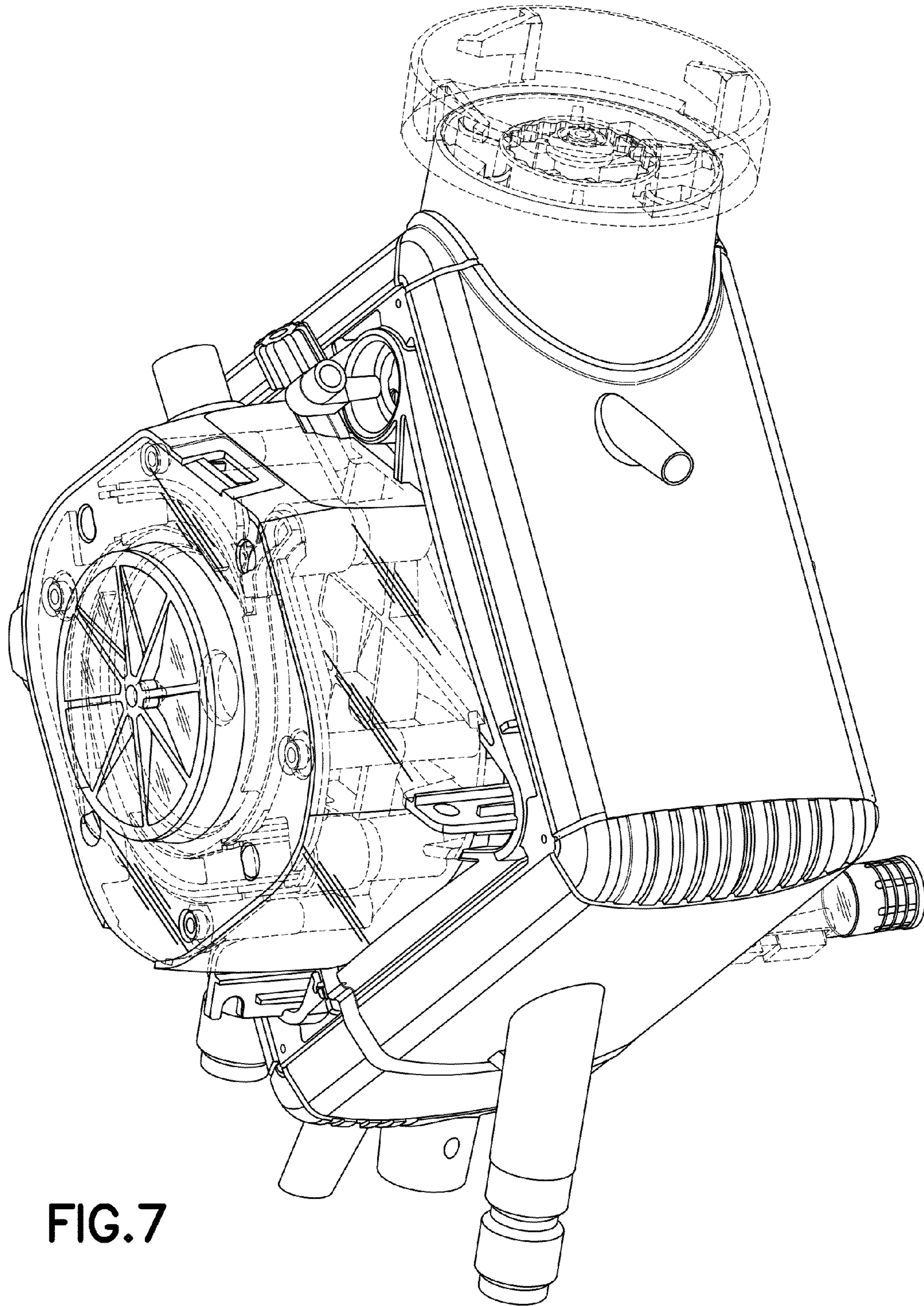


FIG. 7