



US00D724227S

(12) **United States Design Patent**
Marcher

(10) **Patent No.:** **US D724,227 S**
(45) **Date of Patent:** **** Mar. 10, 2015**

(54) **IN EAR PART FOR A RITE HEARING AID**

(71) Applicant: **Widex A/S**, Lyngø (DK)

(72) Inventor: **Ib Marcher**, Lyngø (DK)

(73) Assignee: **Widex A/S**, Lyngø (DK)

(**) Term: **14 Years**

(21) Appl. No.: **29/485,604**

(22) Filed: **Mar. 20, 2014**

(51) **LOC (10) Cl.** **24-99**

(52) **U.S. Cl.**
USPC **D24/174**

(58) **Field of Classification Search**
USPC D24/173–175, 151, 106; D14/205, 206,
D14/223–226, 249; 381/23.1, 312,
381/322–324, 328, 330, 380, 381; 181/135,
181/319, 382, 384; D29/112
See application file for complete search history.

(56) **References Cited**

U.S. PATENT DOCUMENTS

D497,001 S *	10/2004	Narisawa et al.	D24/174
D501,255 S *	1/2005	Feeley et al.	D24/174
D573,588 S *	7/2008	Warren et al.	D14/225
D612,058 S *	3/2010	Wai	D24/174

D635,679 S *	4/2011	Laperle et al.	D24/174
D681,212 S *	4/2013	Larsen et al.	D24/174
D682,429 S *	5/2013	Campbell et al.	D24/174
8,467,556 B2 *	6/2013	Shennib et al.	381/324
2009/0304216 A1 *	12/2009	Hansen	381/324
2010/0111315 A1 *	5/2010	Kroman	381/60
2010/0124346 A1 *	5/2010	Higgins	381/312
2014/0119586 A1 *	5/2014	Mortensen et al.	381/330
2014/0205124 A1 *	7/2014	Jensen et al.	381/329

* cited by examiner

Primary Examiner — Anhdao Doan

(74) *Attorney, Agent, or Firm* — Sughrue Mion, PLLC

(57) **CLAIM**

The ornamental design for an in ear part for a RITE hearing aid, as shown and described.

DESCRIPTION

FIG. 1 is a left view of an in ear part for a RITE (receiver-in-the-ear) hearing aid, showing my new design;
FIG. 2 is a rear view thereof;
FIG. 3 is a bottom view thereof;
FIG. 4 is a right view thereof;
FIG. 5 is a front view thereof;
FIG. 6 is a perspective view thereof; and,
FIG. 7 is a top view thereof.
Portions of the drawings shown in broken line represent unclaimed portions of the in ear part for a RITE hearing aid and form no part of the claimed design.

1 Claim, 7 Drawing Sheets

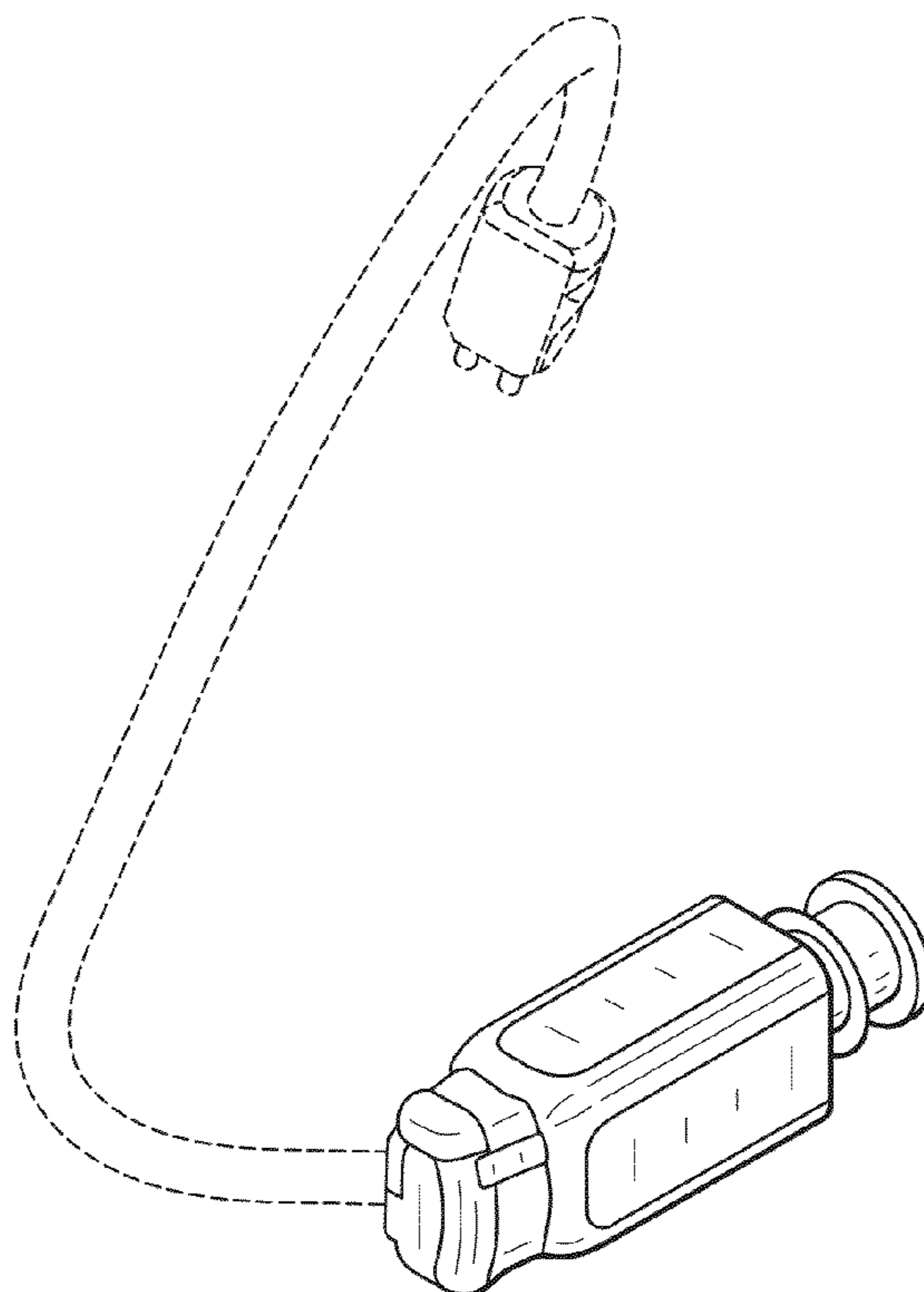


FIG. 1

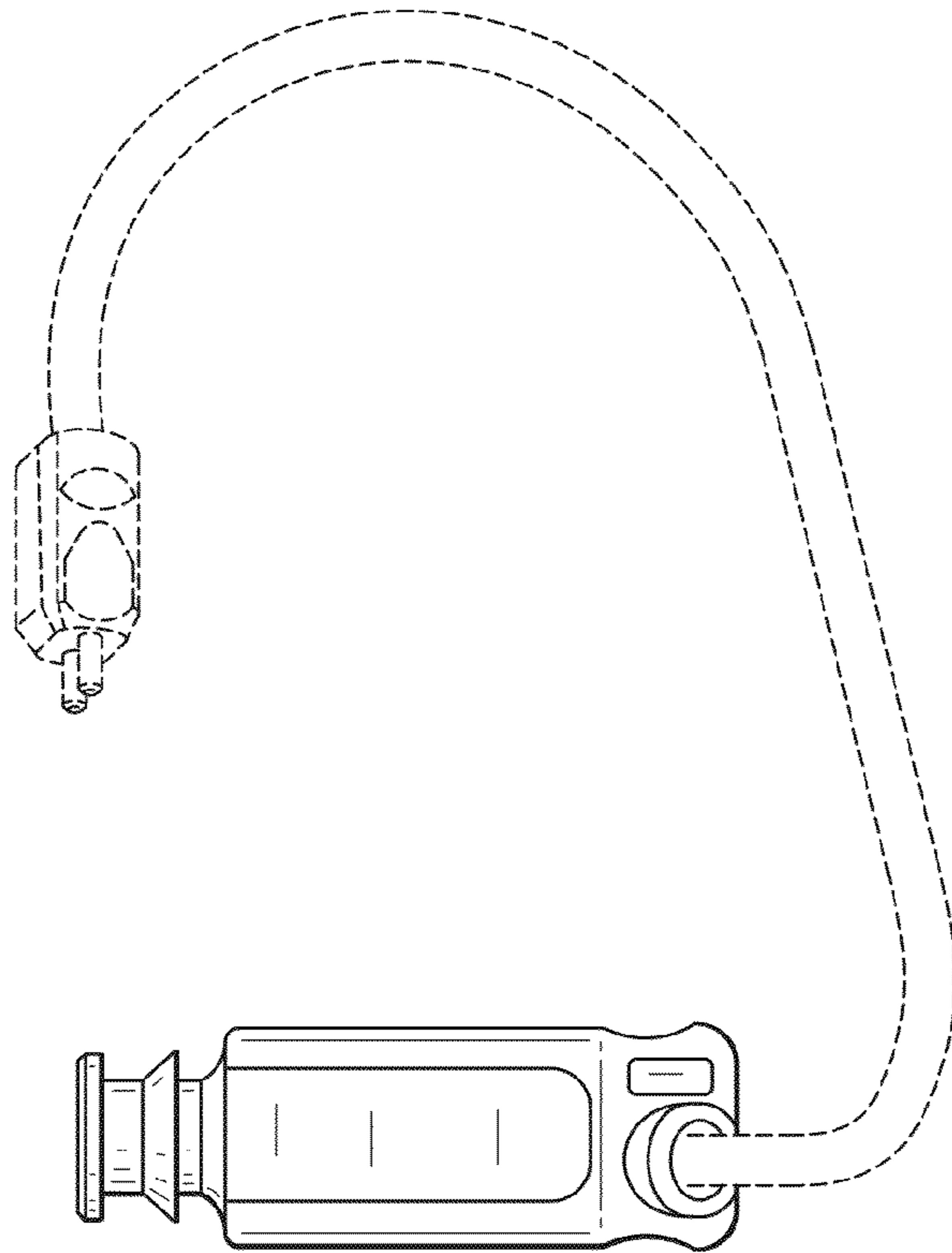


FIG. 2

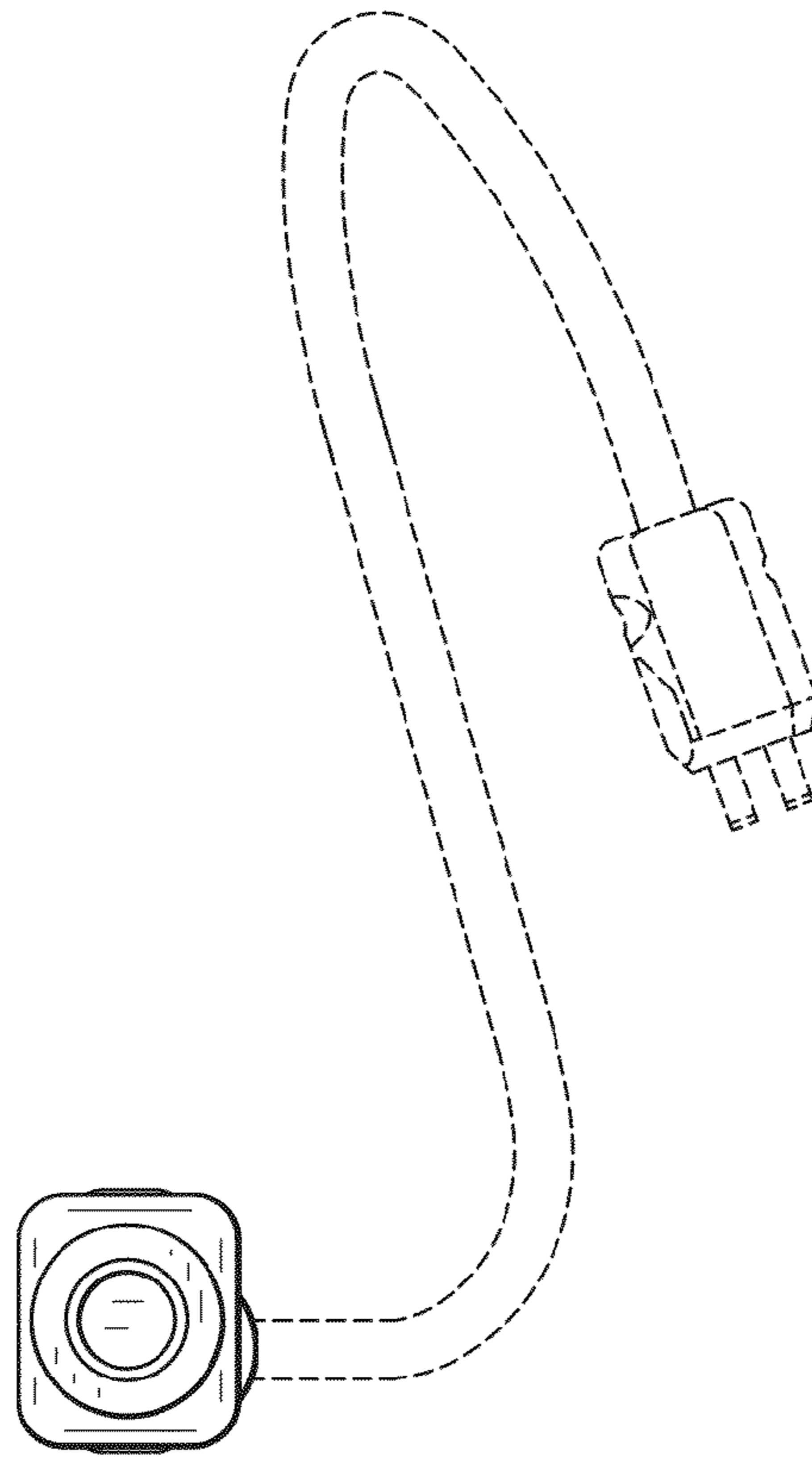


FIG. 3

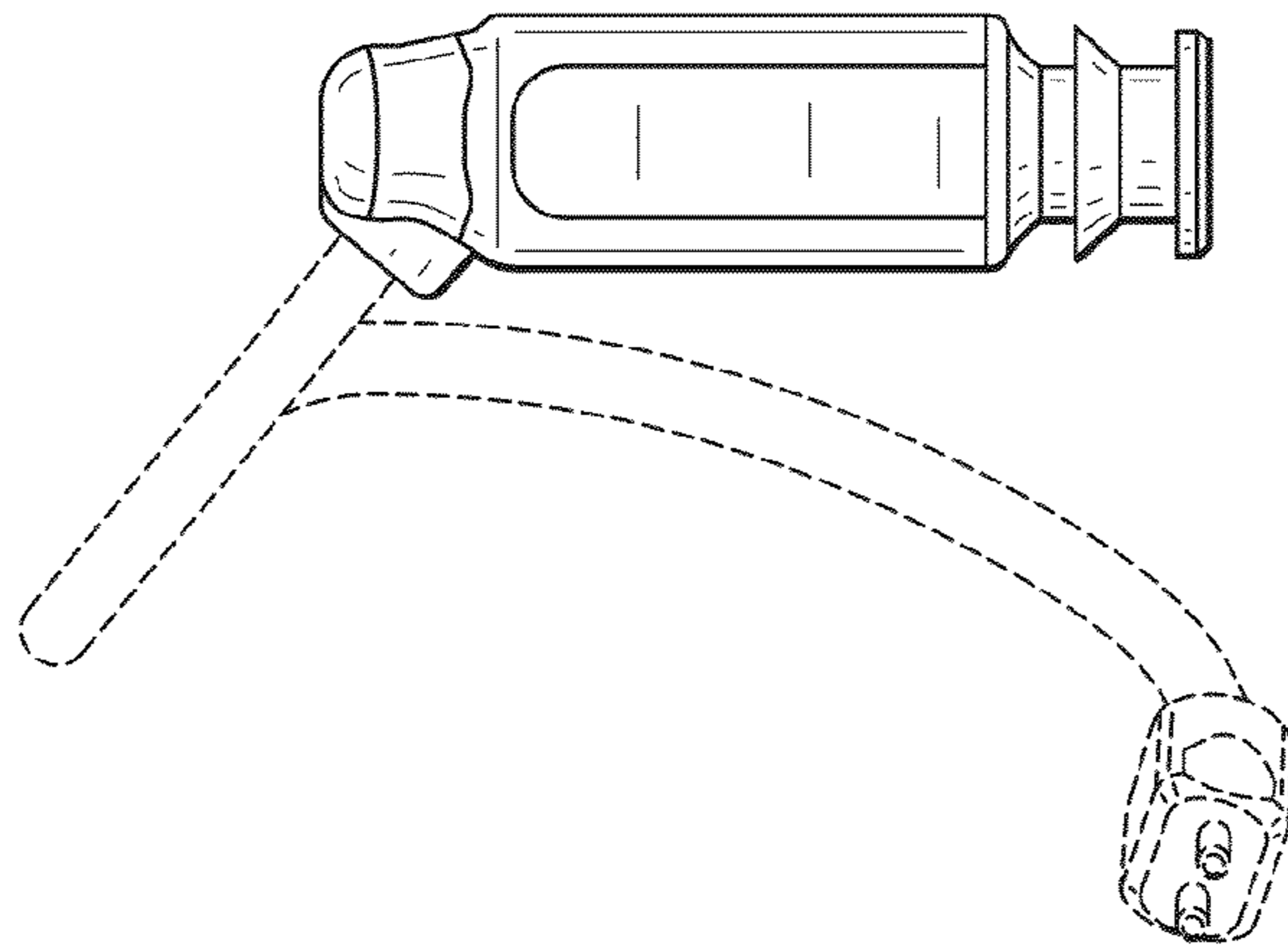


FIG. 4

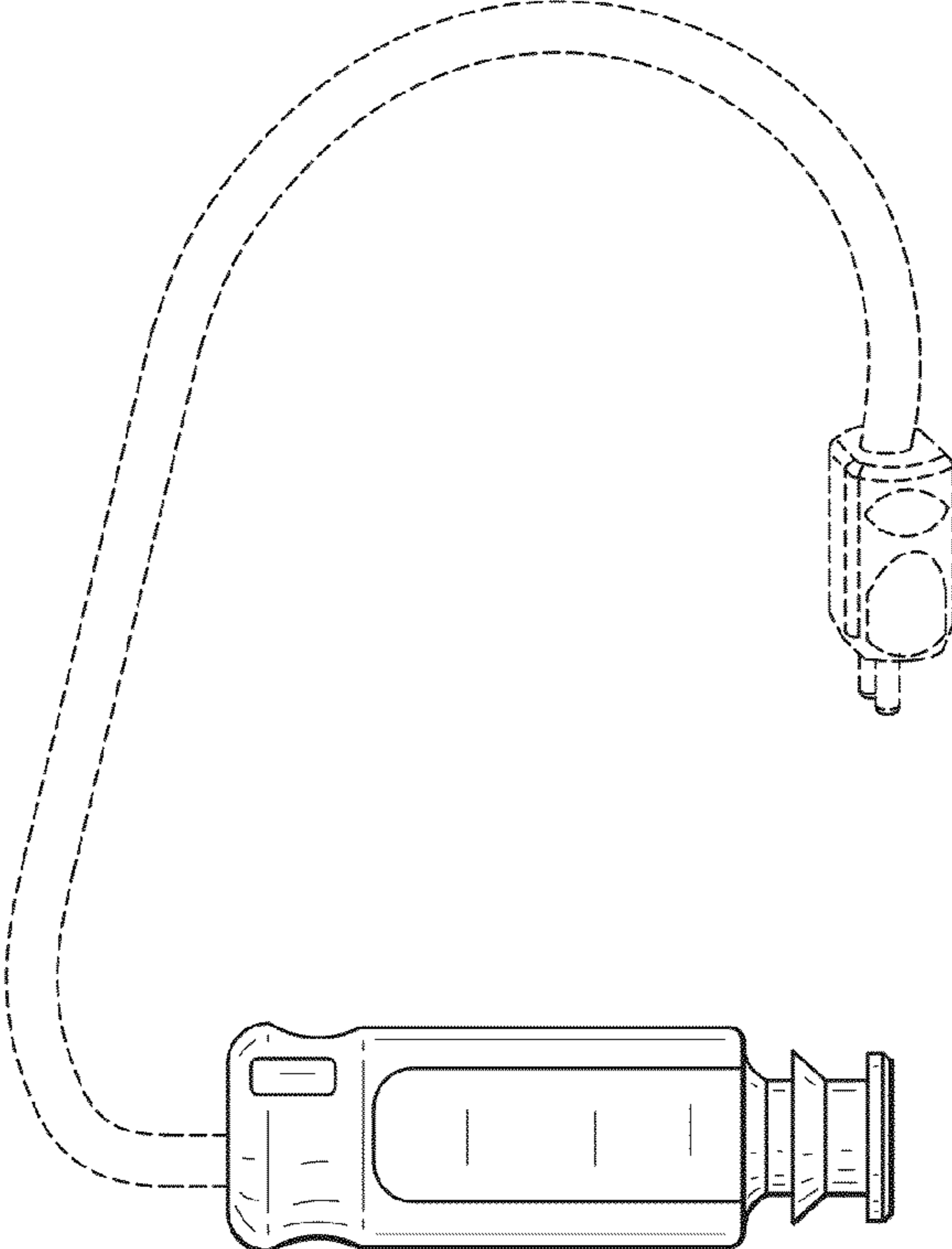


FIG. 5

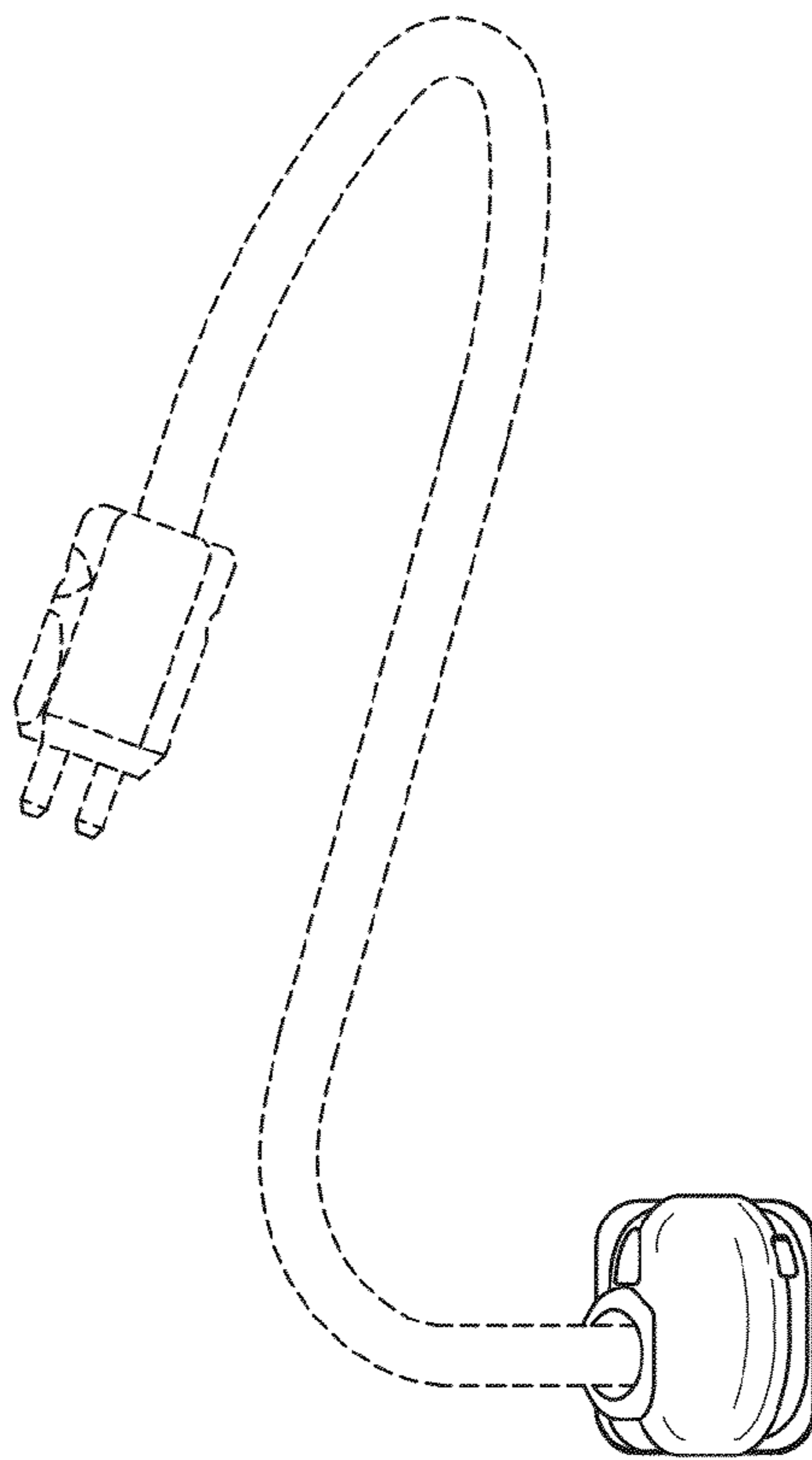


FIG. 6

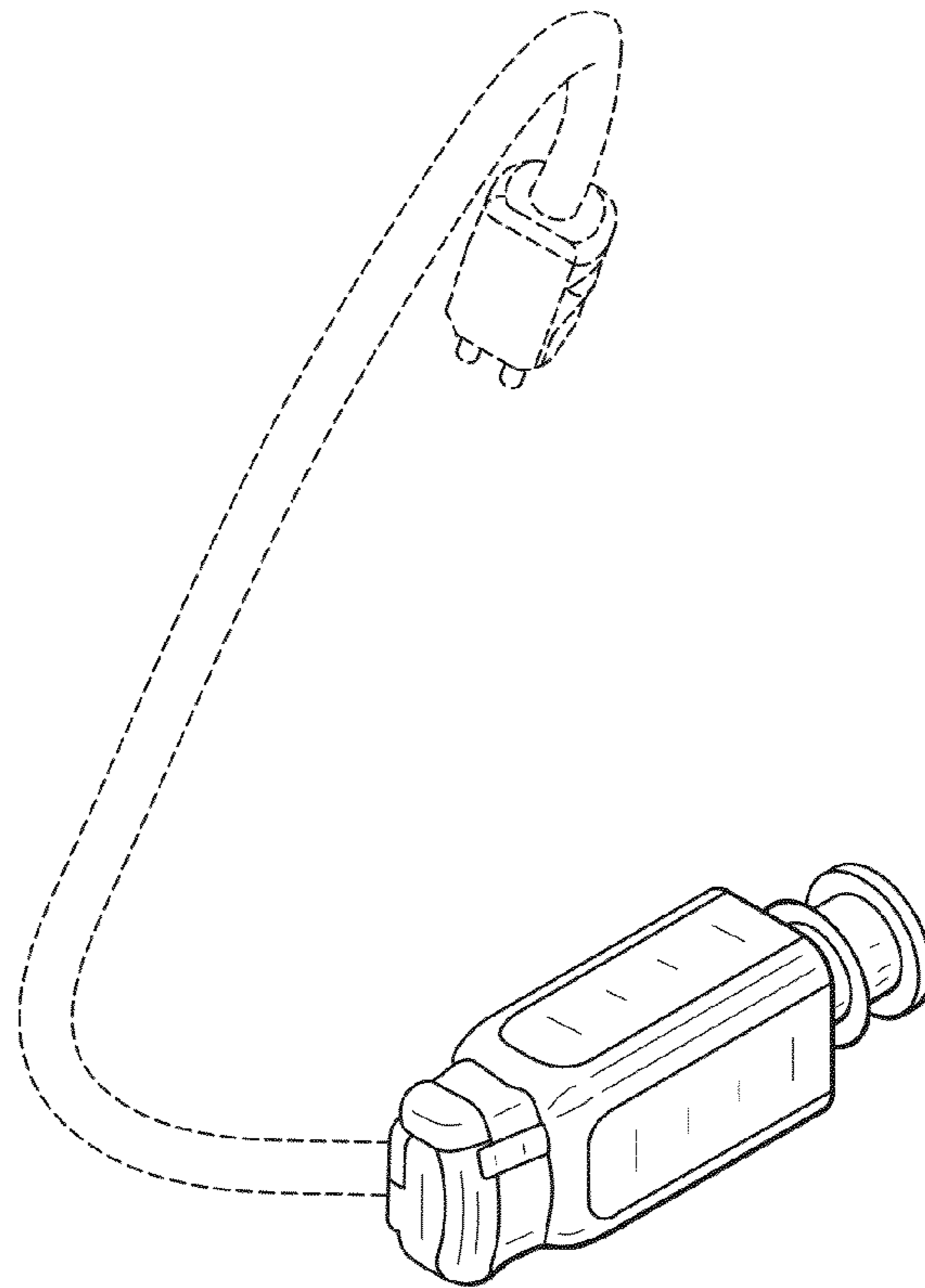


FIG. 7

