

US00D724222S

(12) **United States Design Patent**
Chung et al.

(10) **Patent No.:** **US D724,222 S**
(45) **Date of Patent:** **** Mar. 10, 2015**

(54) **BLOOD GLUCOSE METER**

(56) **References Cited**

(71) Applicant: **Samsung Electronics Co., Ltd.**,
Suwon-si (KR)

U.S. PATENT DOCUMENTS

(72) Inventors: **Yeon-Moo Chung**, Seoul (KR);
Sung-Won Lim, Paju-si (KR);
Cheon-Seop Shin, Seoul (KR)

D351,469 S *	10/1994	Okamoto et al.	D24/169
D437,057 S *	1/2001	Maus et al.	D24/169
D455,253 S *	4/2002	Byrne et al.	D3/203.1
D502,868 S *	3/2005	Cattaruzza	D3/294
D547,544 S *	7/2007	Hussaini et al.	D3/201
D558,973 S *	1/2008	Hussaini et al.	D3/201
D561,472 S *	2/2008	Nakamura	D3/294
D663,421 S *	7/2012	Steiner et al.	D24/169

(73) Assignee: **Samsung Electronics Co., Ltd.** (KR)

* cited by examiner

(**) Term: **14 Years**

Primary Examiner — Anhdao Doan

(21) Appl. No.: **29/483,293**

(74) *Attorney, Agent, or Firm* — Cantor Colburn LLP

(22) Filed: **Feb. 27, 2014**

(57) **CLAIM**

The ornamental design for a blood glucose meter, as shown and described.

(30) **Foreign Application Priority Data**

DESCRIPTION

Sep. 11, 2013 (KR) 30-2013-0046880

(51) **LOC (10) Cl.** **24-01**

(52) **U.S. Cl.**
USPC **D24/169**

(58) **Field of Classification Search**

USPC D24/216, 223, 231, 232, 107, 169, 186;
D10/81; 422/68.1, 420, 500;
435/287.1, 287.3; 436/43, 45, 47;
600/309, 365, 368, 583, 584;
D14/138 R, 138 AA, 138 AB, 138 G,
D14/341; D3/201, 203.1, 273, 274, 294,
D3/295

FIG. 1 is a front perspective view of a blood glucose meter showing our new design;

FIG. 2 is a front view thereof;

FIG. 3 is a rear view thereof;

FIG. 4 is a side view thereof;

FIG. 5 is another side view thereof;

FIG. 6 is a top view thereof;

FIG. 7 is a bottom view thereof;

FIG. 8 is an enlarged view of the encircled portion, as shown in FIG. 2;

FIG. 9 is a cross-sectional view taken along the line 9-9 in FIG. 8; and,

FIG. 10 is another front view thereof; showing the blood glucose meter including environmental blood collection devices.

The broken lines illustrating portions of the blood glucose meter are for environmental purposes only and form no part of the claimed design.

See application file for complete search history.

1 Claim, 7 Drawing Sheets

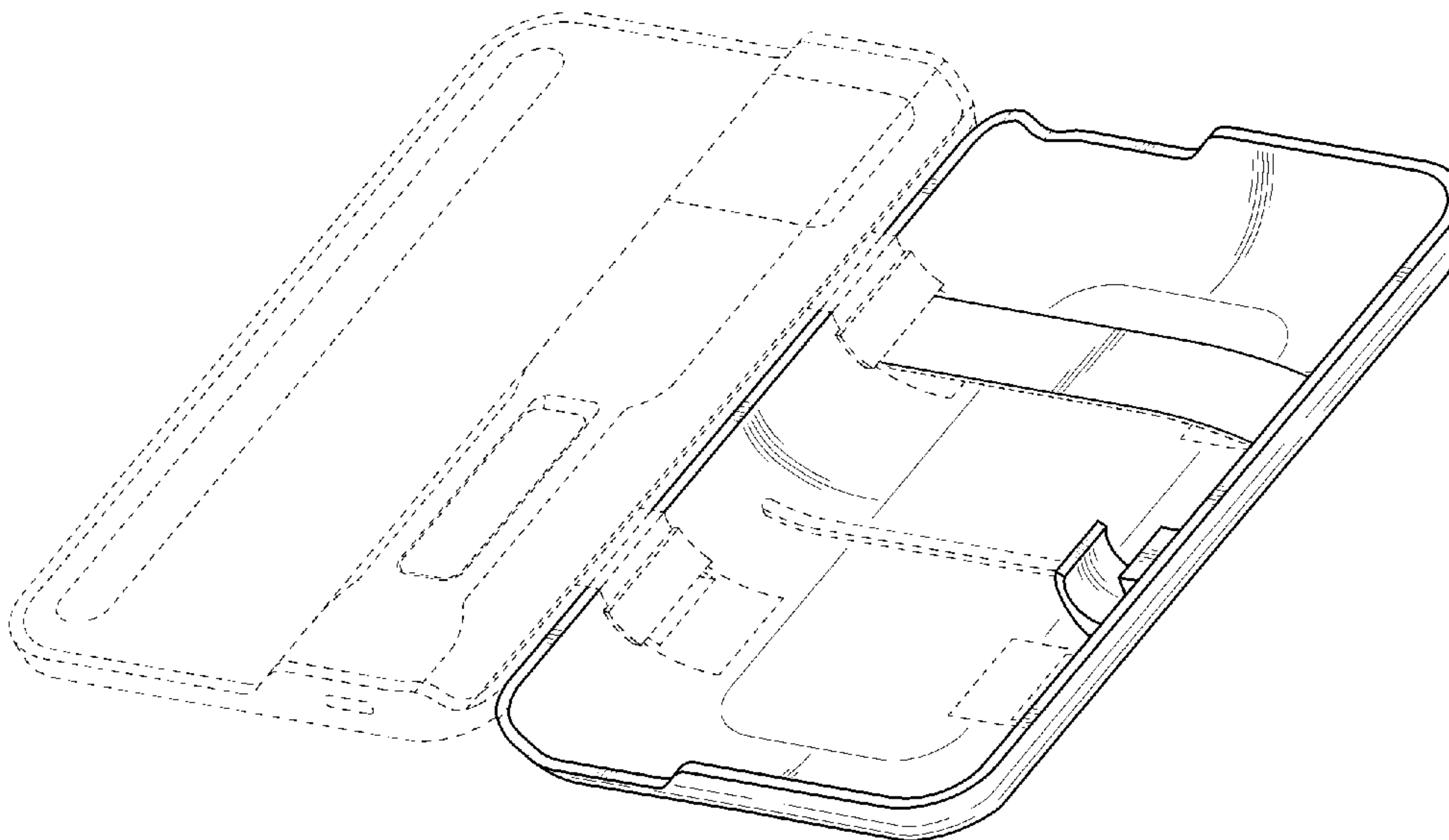


FIG.1

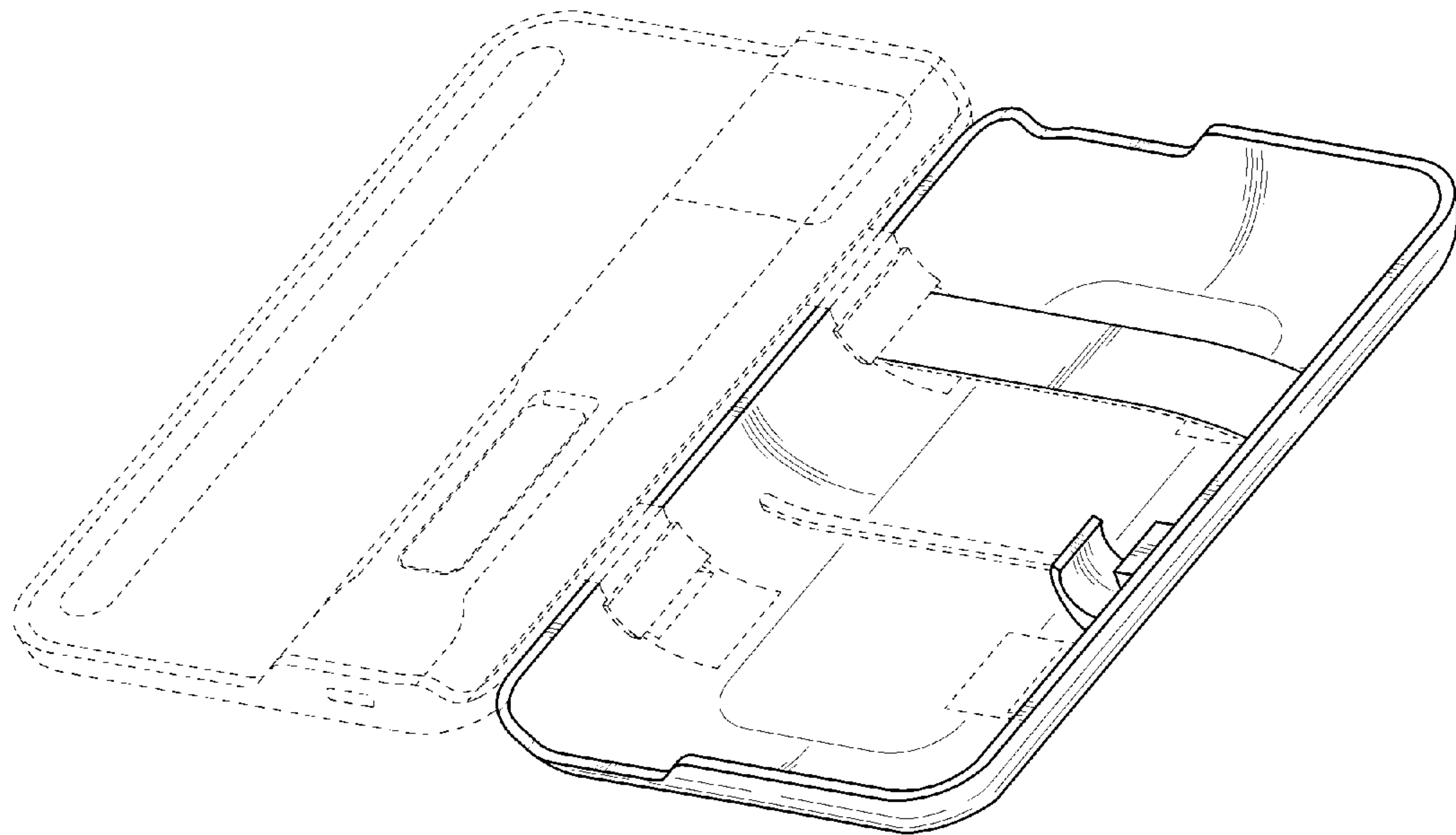


FIG.2

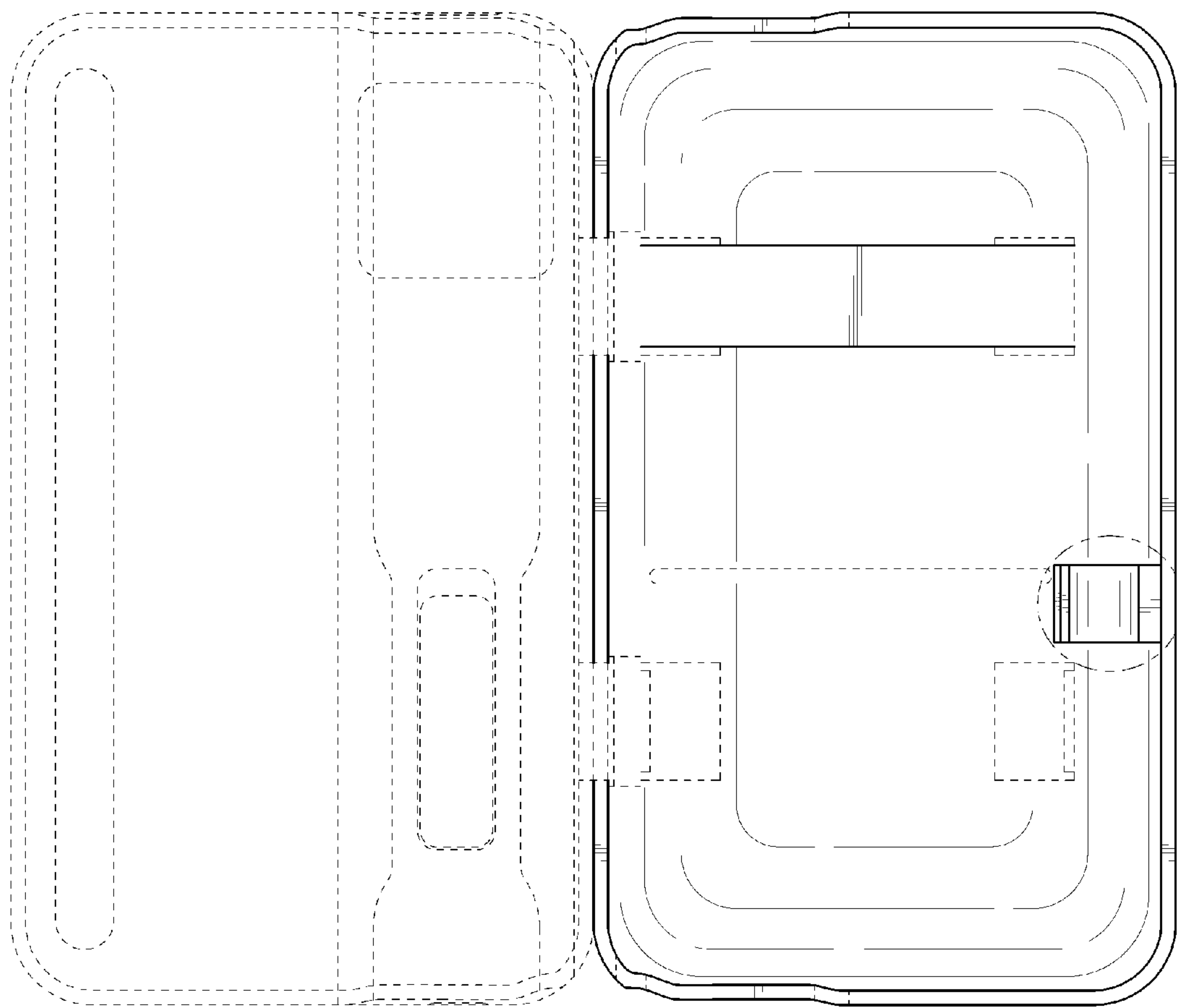


FIG.3

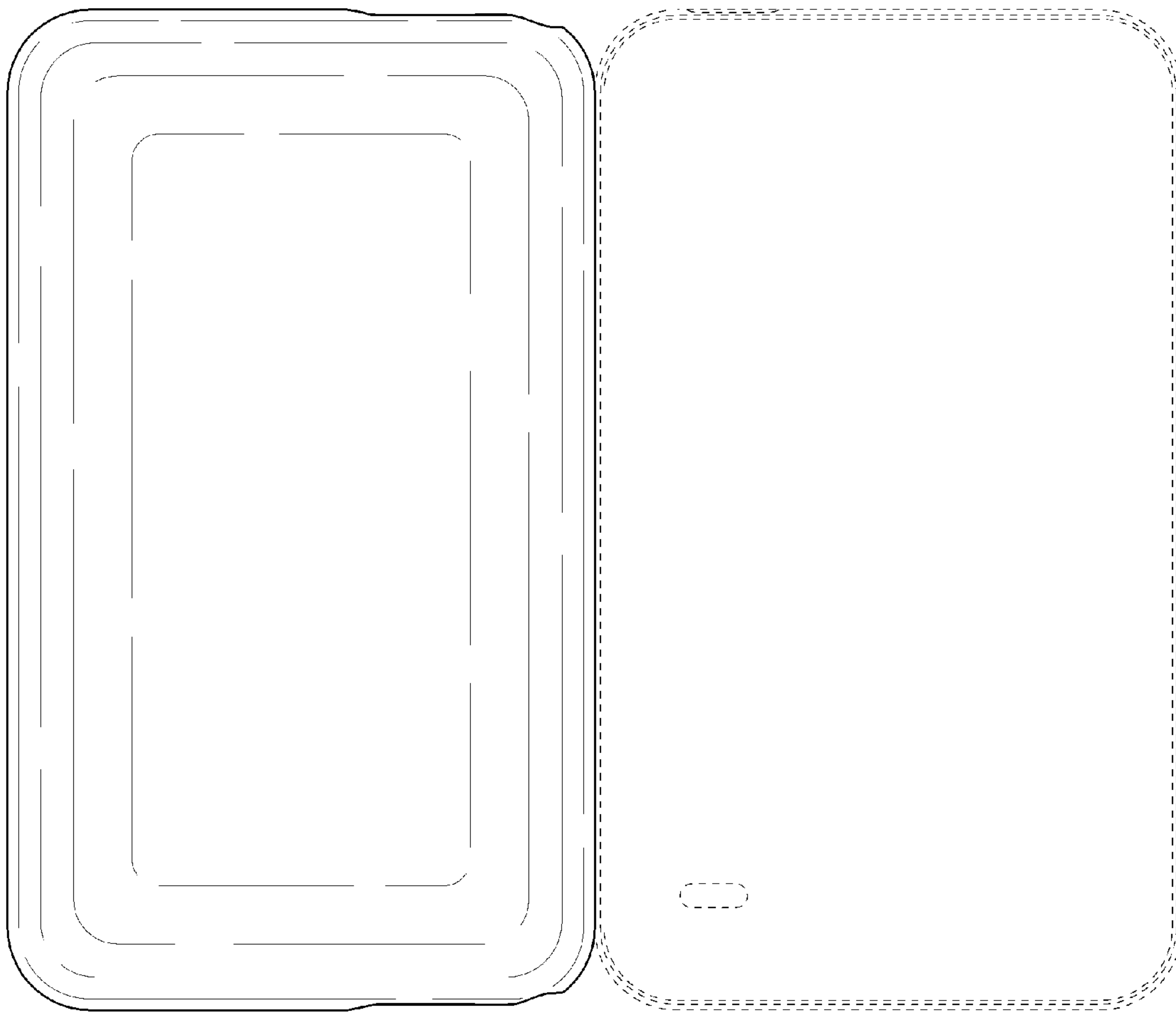


FIG.4

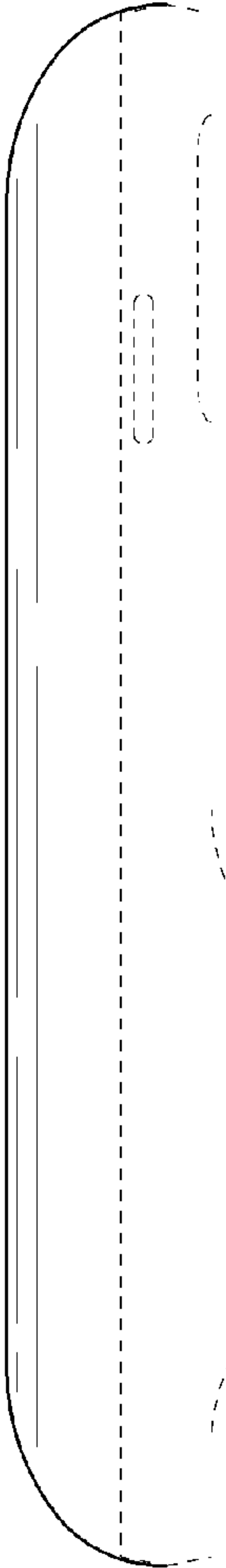


FIG.5

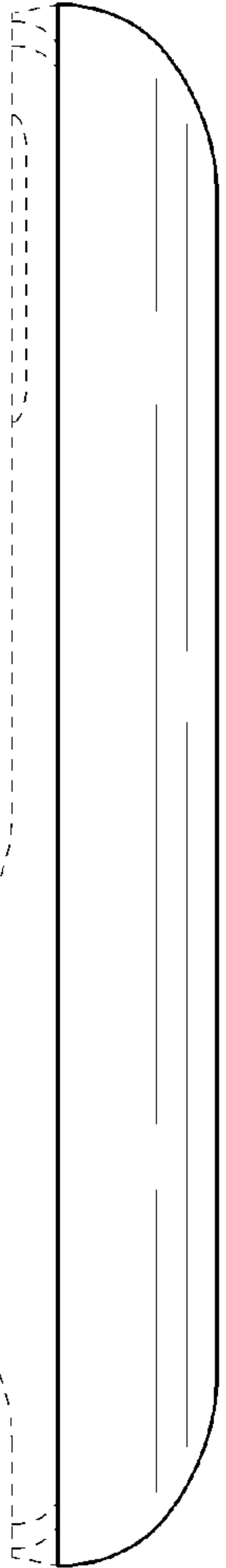


FIG.6

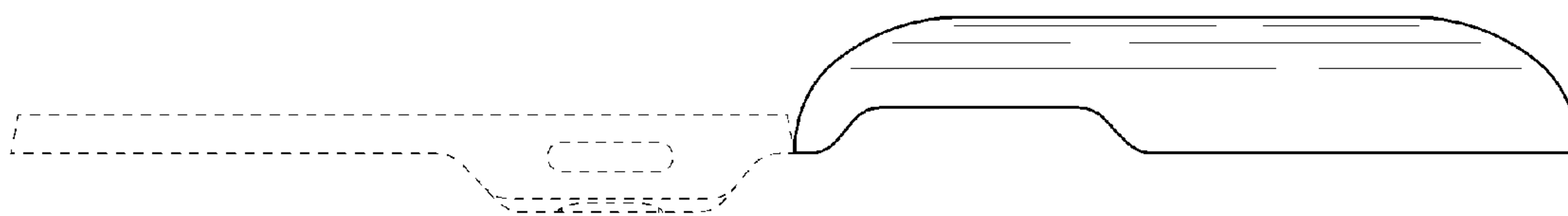


FIG.7

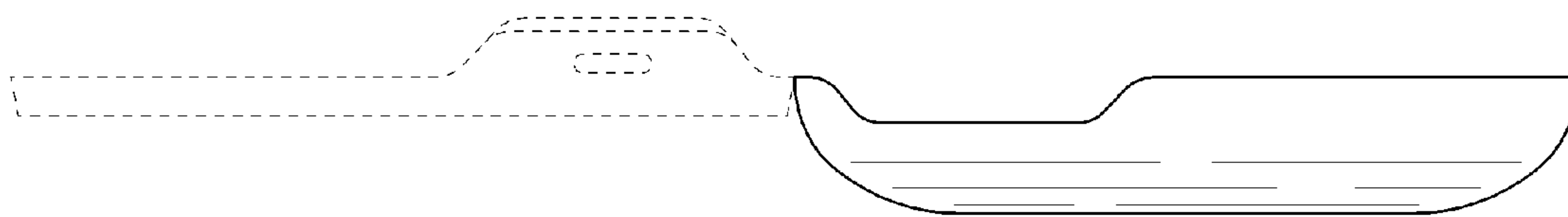


FIG.8

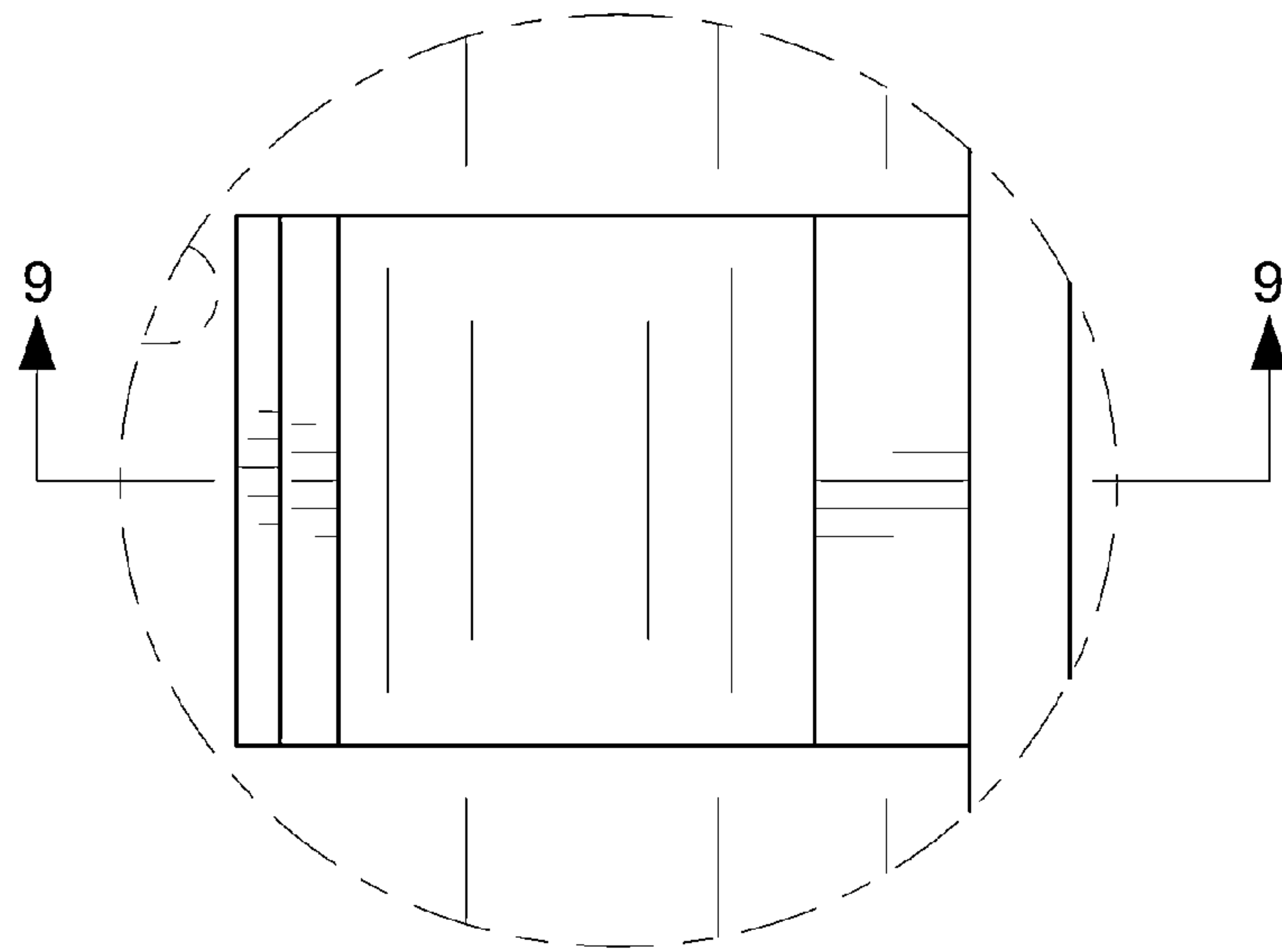


FIG.9

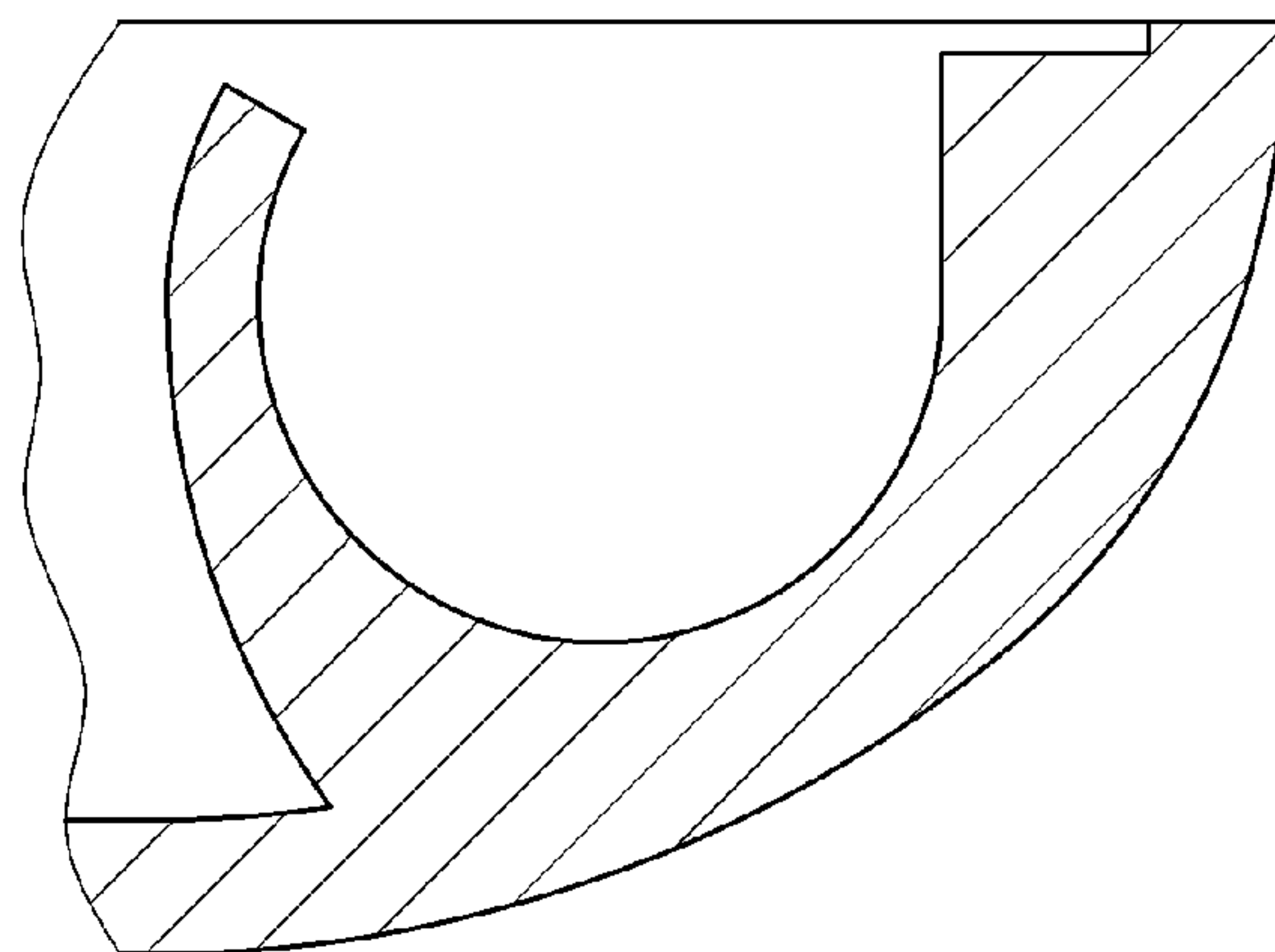


FIG.10

