



US00D724221S

(12) **United States Design Patent**  
**Chung et al.**

(10) **Patent No.:** **US D724,221 S**  
(45) **Date of Patent:** **\*\* Mar. 10, 2015**

(54) **CASSETTE ASSEMBLY WITH TUBING LOOPS**

D616,539 S *	5/2010	McGill	.....	D24/111
D639,978 S *	6/2011	Roos et al.	.....	D24/169
8,114,276 B2 *	2/2012	Childers et al.	.....	417/474
8,192,401 B2 *	6/2012	Morris et al.	.....	604/153
2013/0331774 A1 *	12/2013	Farrell et al.	.....	604/28
2014/0194809 A1 *	7/2014	Plahey et al.	.....	604/28

(71) Applicant: **Fenwal, Inc.**, Lake Zurich, IL (US)

(72) Inventors: **Terry Chung**, Kildeer, IL (US); **Brain C. Case**, Lake Villa, IL (US); **Steven R. Katz**, Deerfield, IL (US); **Salvatore Manzella, Jr.**, Barrington, IL (US); **Gregory Pieper**, Spring Grove, IL (US); **Patrick Flanagan**, Algonquin, IL (US)

\* cited by examiner

*Primary Examiner* — Anhdao Doan

(74) *Attorney, Agent, or Firm* — Cook Alex Ltd.

(73) Assignee: **Fenwal, Inc.**, Lake Zurich, IL (US)

(\*\*) Term: **14 Years**

(57) **CLAIM**

The ornamental design for the cassette assembly with tubing loops, as shown and described.

(21) Appl. No.: **29/472,722**

**DESCRIPTION**

(22) Filed: **Nov. 15, 2013**

(51) **LOC (10) Cl.** ..... **24-01**

(52) **U.S. Cl.**  
USPC ..... **D24/169**

(58) **Field of Classification Search**  
USPC ..... D24/169, 186, 107, 108, 111, 216, 219,  
D24/232; 604/27, 29, 131, 132, 140, 141,  
604/146, 30, 34, 153, 319-321; 417/474,  
417/477.2

FIG. 1 is a first top perspective view of a cassette assembly with tubing loops showing our new design;  
FIG. 2 is a second bottom perspective view thereof;  
FIG. 3 is a front view of the cassette assembly with tubing loops of FIG. 1;  
FIG. 4 is a rear view of the cassette assembly with tubing loops of FIG. 1;  
FIG. 5 is end view taken from the right-hand side of FIG. 3;  
FIG. 6 is an end view taken from the left-hand side of FIG. 3;  
FIG. 7 is a top view of the of the cassette assembly with tubing loops of FIG. 1; and,  
FIG. 8 is a bottom view of the of the cassette assembly with tubing loops of FIG. 1.

See application file for complete search history.

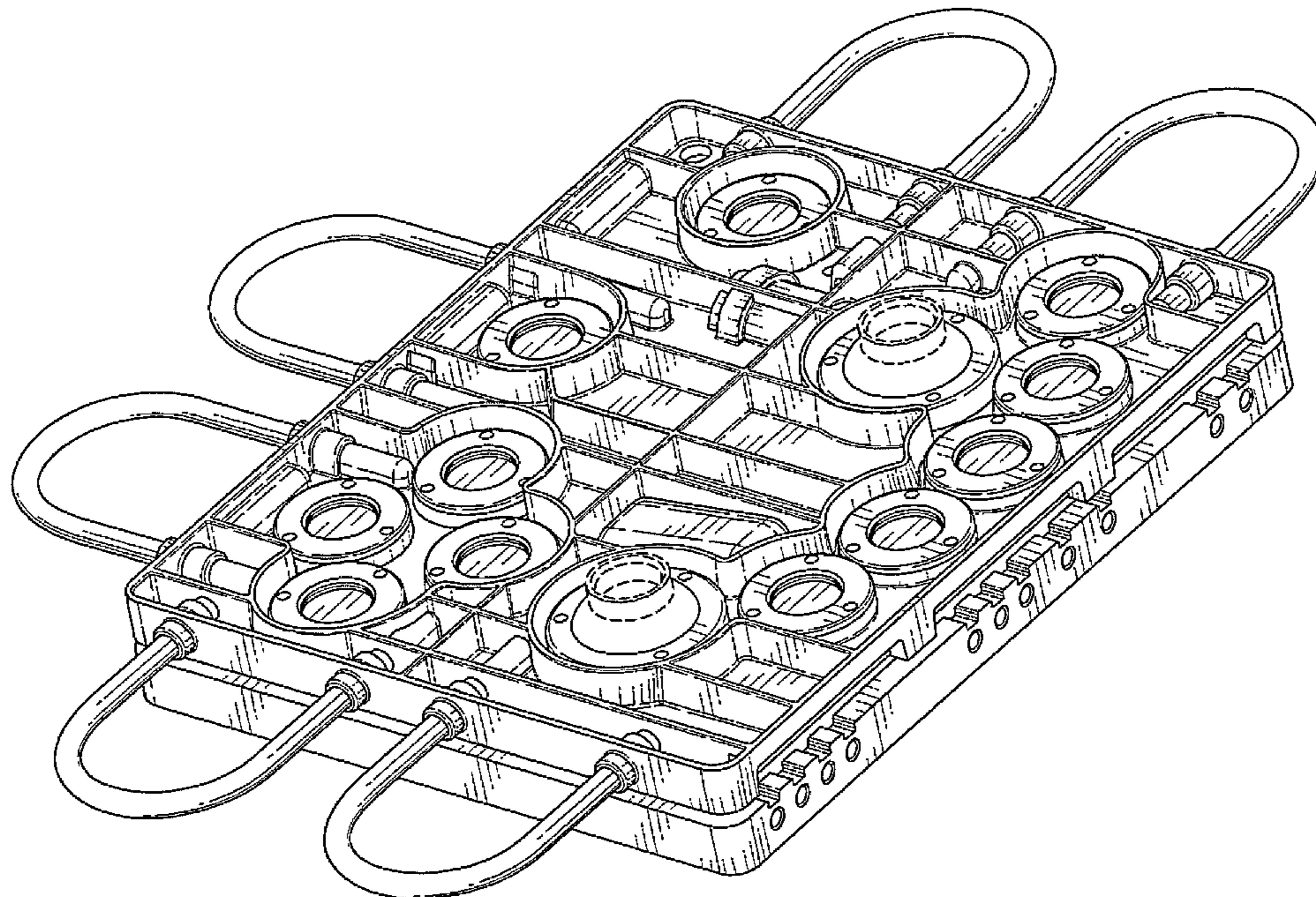
The broken lines in the drawing views are included for the purpose of illustrating portions of the cassette assembly with tubing loops that form no part of the claimed design.

(56) **References Cited**

**U.S. PATENT DOCUMENTS**

D257,689 S *	12/1980	Riede	.....	D24/169
D350,823 S *	9/1994	Lanigan	.....	D24/111
D556,909 S *	12/2007	Reihanifam et al.	.....	D24/169
D600,792 S *	9/2009	Eubanks et al.	.....	D24/111

**1 Claim, 6 Drawing Sheets**



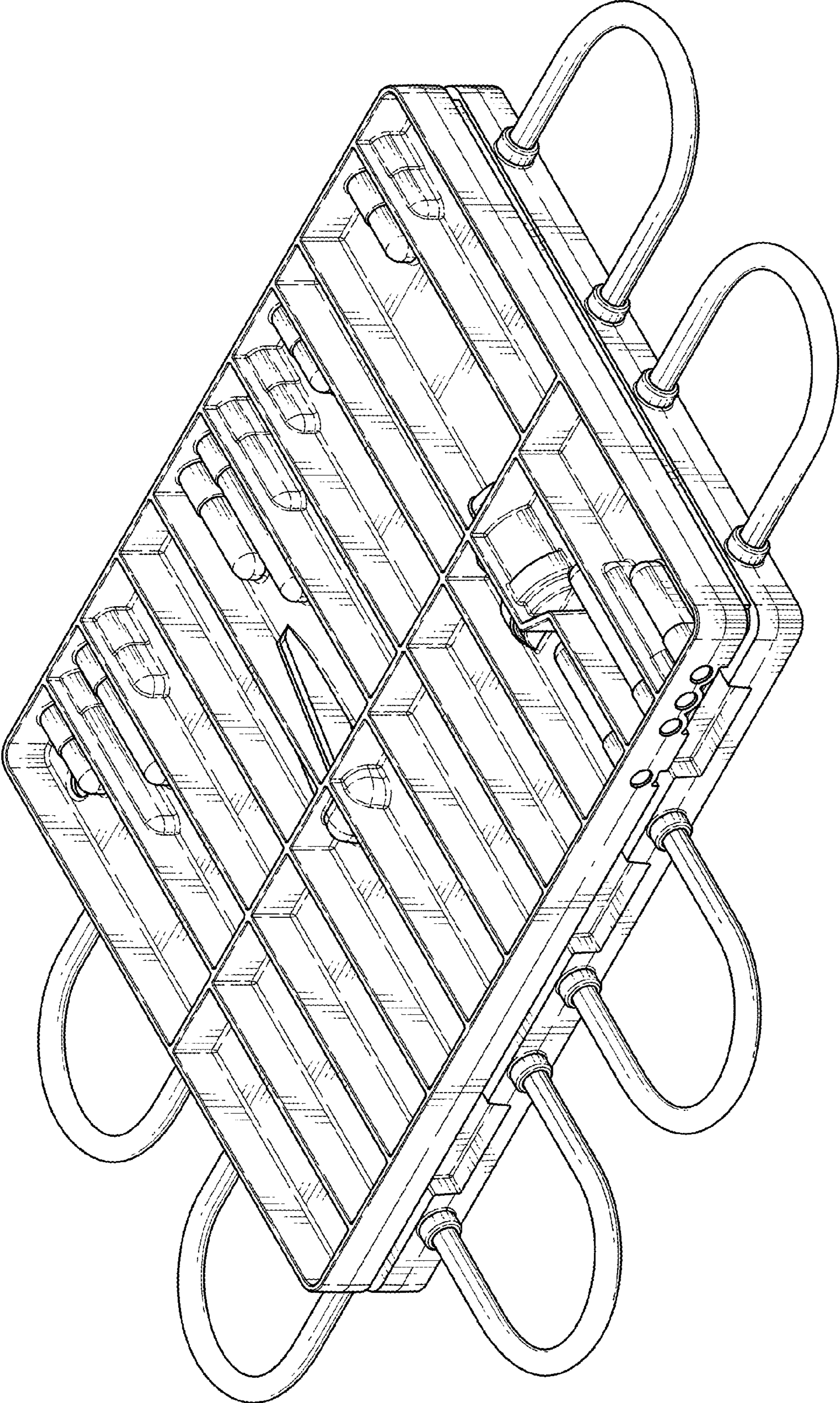


FIG. 1

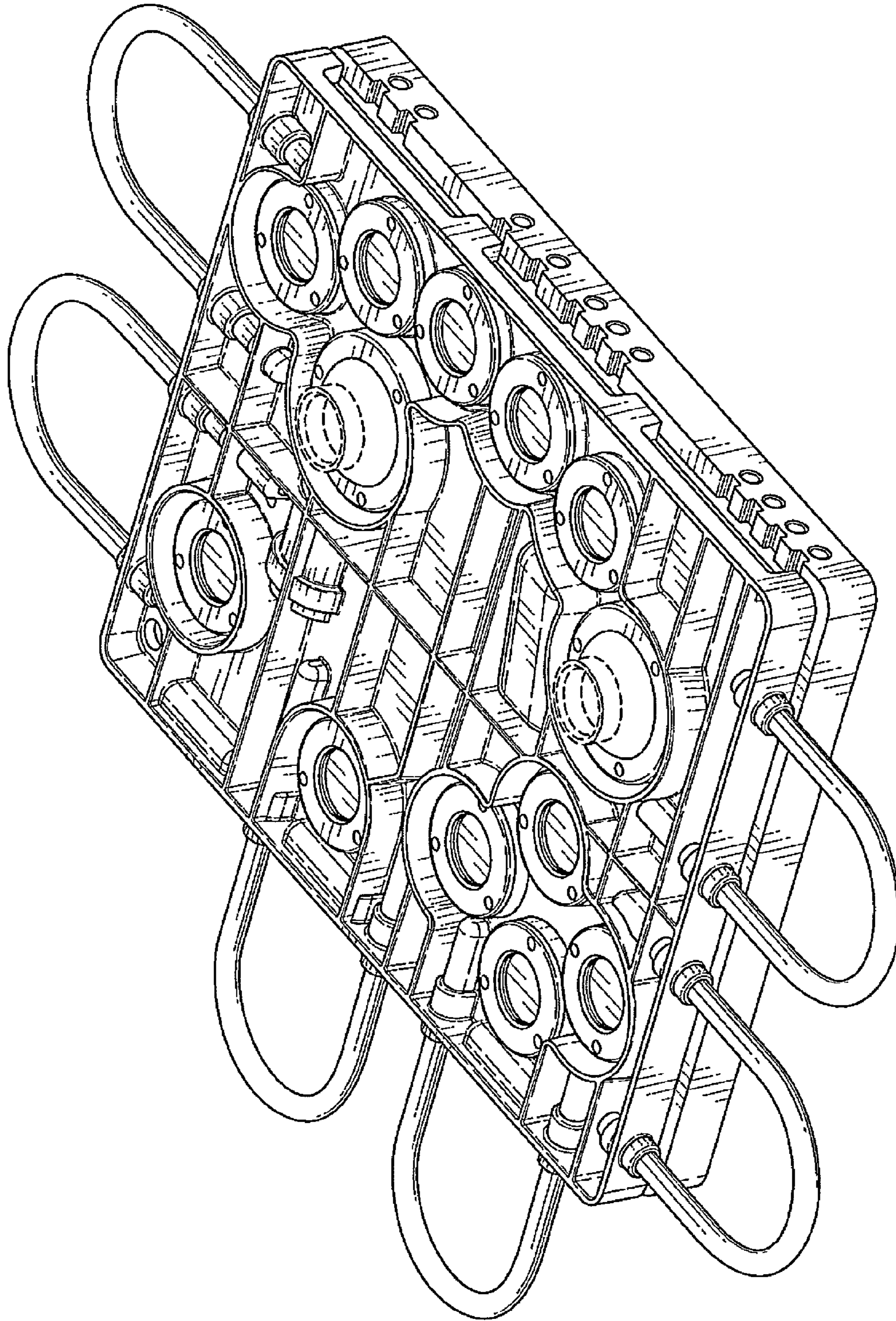


FIG. 2

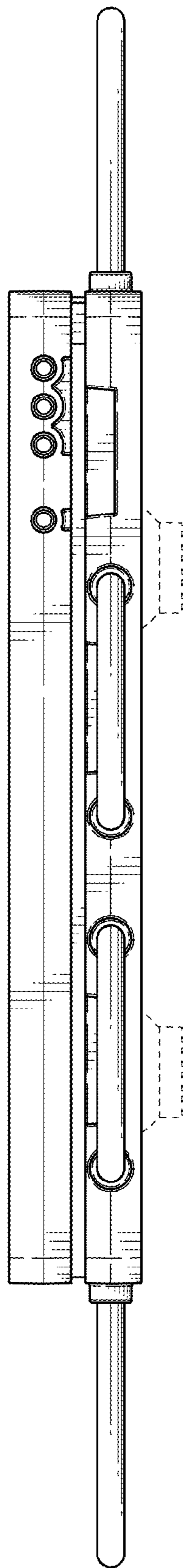


FIG. 3

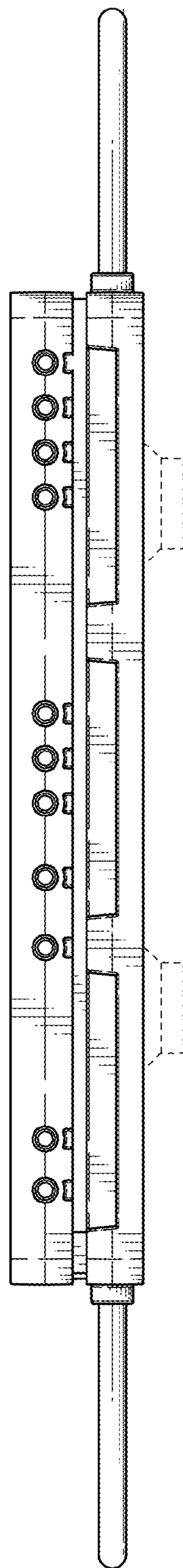


FIG. 4

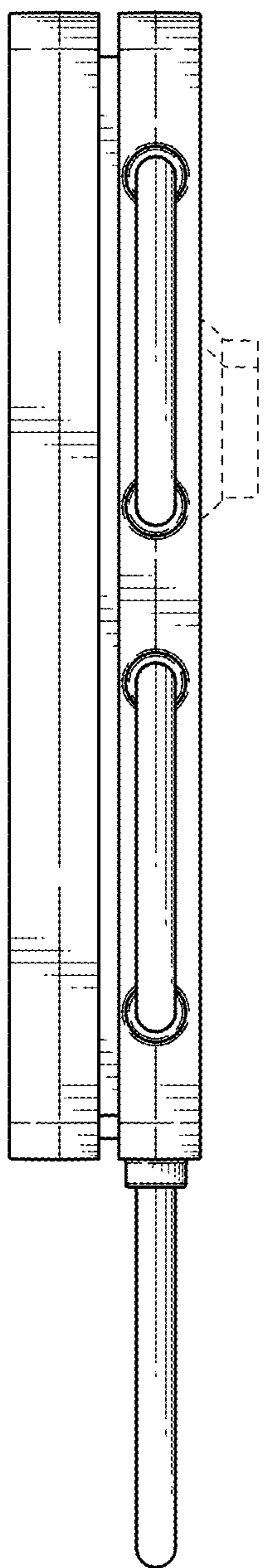


FIG. 5

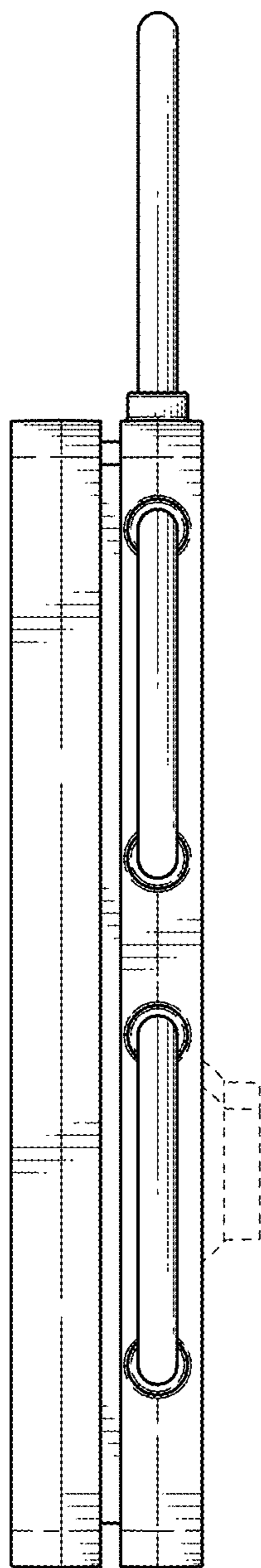


FIG. 6

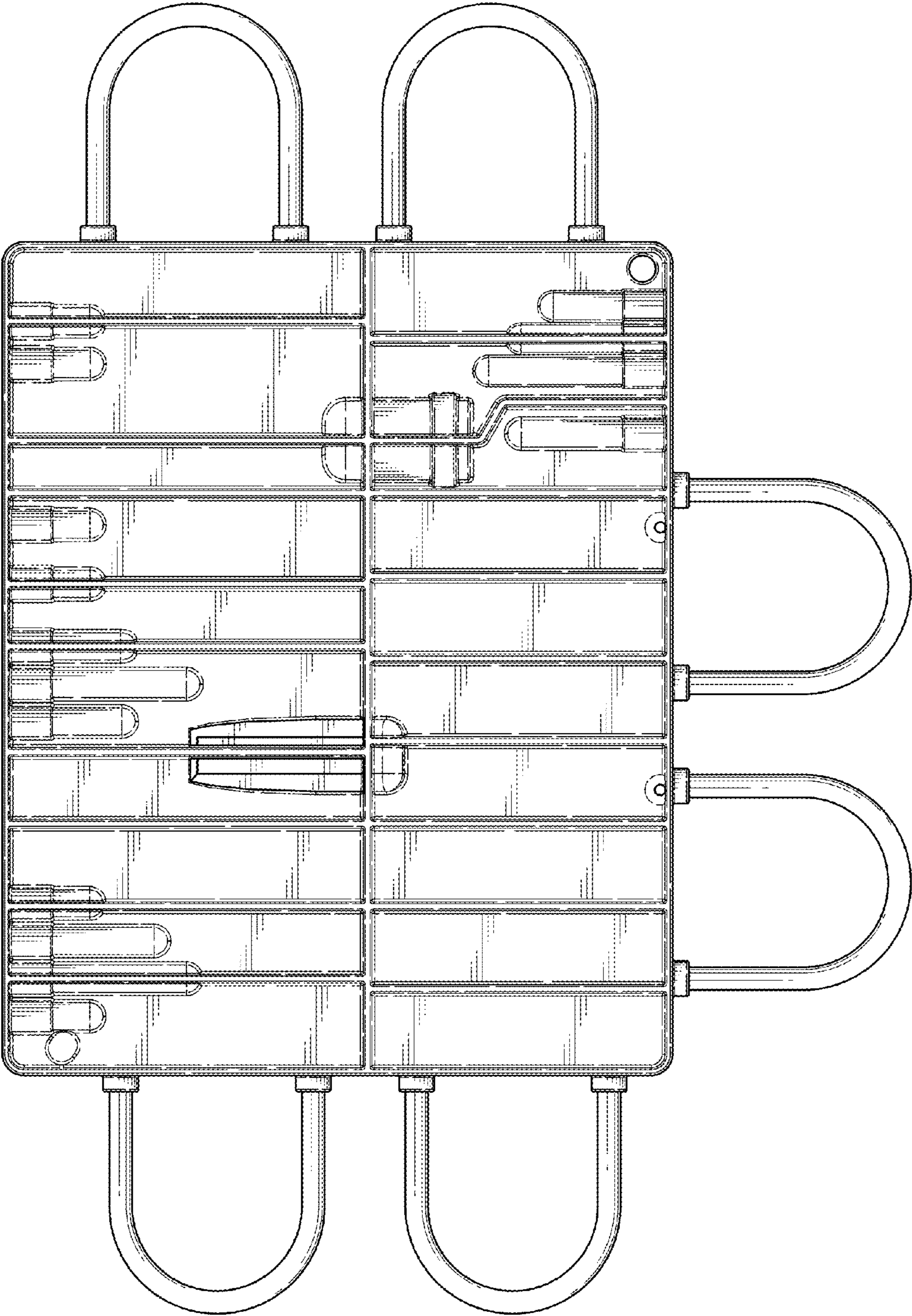


FIG. 7

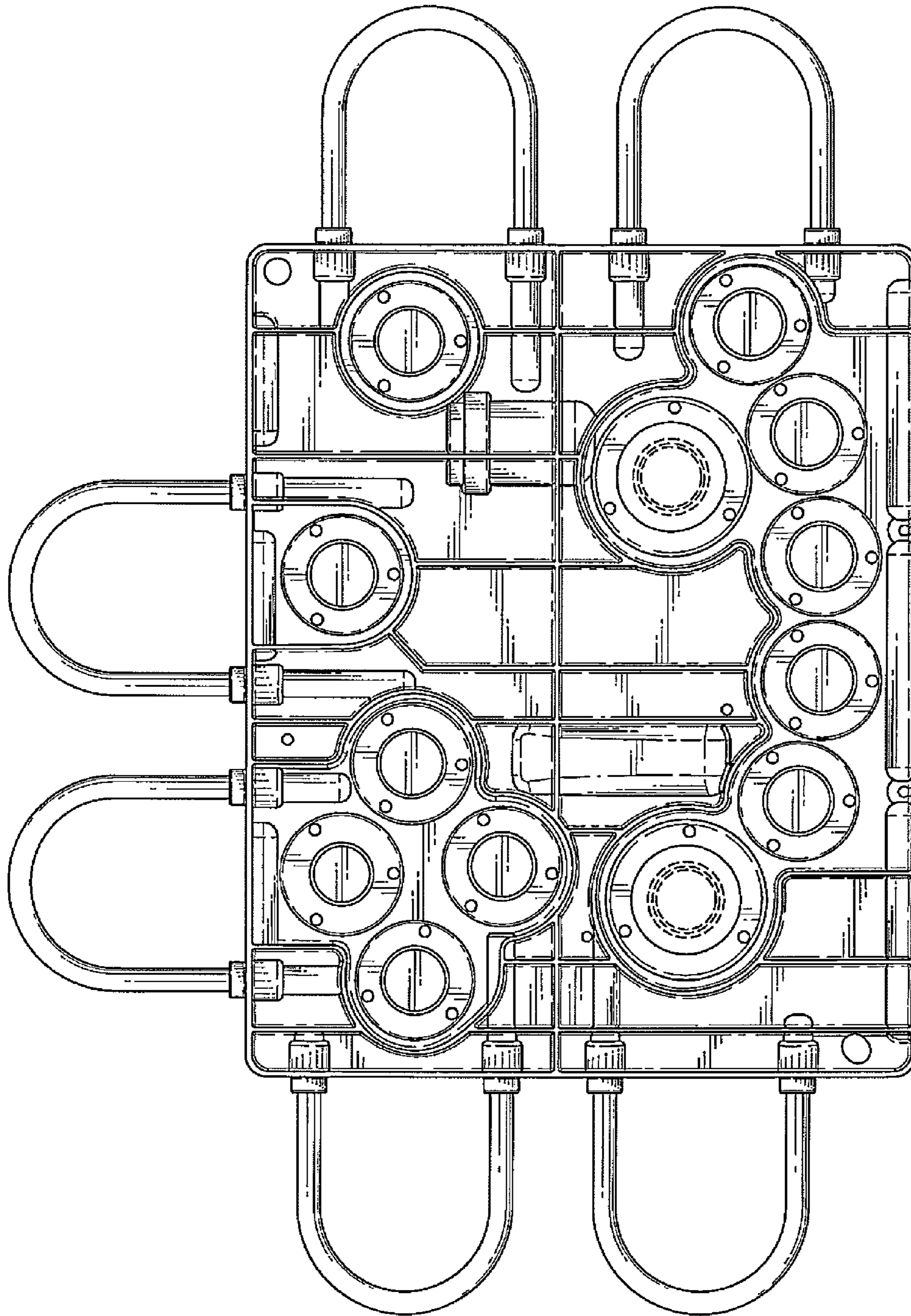


FIG. 8

UNITED STATES PATENT AND TRADEMARK OFFICE  
**CERTIFICATE OF CORRECTION**

PATENT NO. : D724,221 S  
APPLICATION NO. : 29/472722  
DATED : March 10, 2015  
INVENTOR(S) : Terry Chung et al.

Page 1 of 1

It is certified that error appears in the above-identified patent and that said Letters Patent is hereby corrected as shown below:

ON THE TITLE PAGE:

Item (72) the 2nd inventor "Brain C. Case" should read -- Brian C. Case --

Signed and Sealed this  
Eleventh Day of August, 2015



Michelle K. Lee  
*Director of the United States Patent and Trademark Office*