



US00D724219S

(12) **United States Design Patent**
Daynes et al.

(10) **Patent No.:** **US D724,219 S**
(45) **Date of Patent:** **** Mar. 10, 2015**

(54) **UTILITY MODULE WITH A BRIDGE BACK FOR RECEIVING A DEFIBRILLATOR**

(56) **References Cited**

U.S. PATENT DOCUMENTS

(71) Applicant: **Physio-Control, Inc.**, Redmond, WA (US)
(72) Inventors: **John Daynes**, Redmond, WA (US); **Mina Lim**, Newcastle, WA (US); **Barry D Curtin**, Seattle, WA (US); **Karen Kraft Langman**, Kirkland, WA (US); **Neil G. McIlvaine**, Seattle, WA (US); **E. Thomas McKay**, Kent, WA (US); **Randy L. Merry**, Woodinville, WA (US); **Ken Peterson**, Bellevue, WA (US); **Mitchell Allen Smith**, Sammamish, WA (US)

D414,869 S * 10/1999 Daynes et al. D24/167
D455,492 S * 4/2002 Daynes et al. D24/167
6,370,428 B1 4/2002 Snyder et al.
7,006,865 B1 2/2006 Cohen et al.
8,040,246 B2 10/2011 Graves et al.
D649,644 S * 11/2011 Chai D24/164
8,054,177 B2 11/2011 Graves et al.
D658,296 S * 4/2012 Matheson D24/167
8,154,246 B1 4/2012 Heitmann

(Continued)

FOREIGN PATENT DOCUMENTS

EP 0801959 A2 10/1997
EP 0923961 A1 6/1999
WO 13056194 A1 4/2013

OTHER PUBLICATIONS

(73) Assignee: **Physio-Control, Inc.**, Redmond, WA (US)

Int'l Search Report and Written Opinion, PCT/US2012/071436, mailed Apr. 10, 2013, 13 pages.

(Continued)

(**) Term: **14 Years**

Primary Examiner — Anhdao Doan

(21) Appl. No.: **29/452,640**

(74) *Attorney, Agent, or Firm* — The Juhasz Law Firm

(22) Filed: **Apr. 19, 2013**

(57) **CLAIM**

The ornamental design for a utility module with a bridge back for receiving a defibrillator, as shown and described.

Related U.S. Application Data

DESCRIPTION

(63) Continuation-in-part of application No. 29/440,594, filed on Dec. 21, 2012, which is a continuation-in-part of application No. 13/690,056, filed on Nov. 30, 2012.

(51) **LOC (10) Cl.** **24-01**

(52) **U.S. Cl.**
USPC **D24/167**

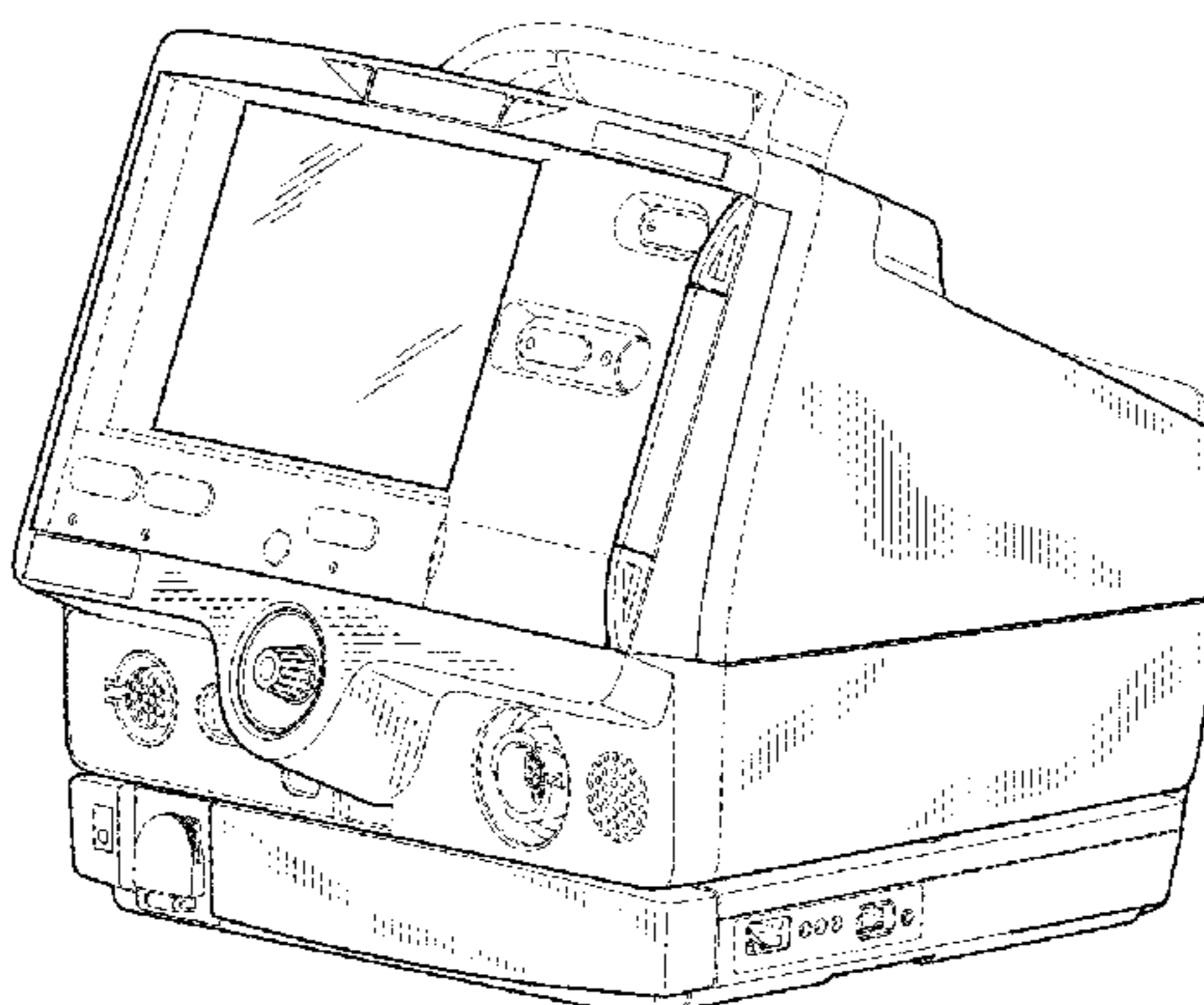
(58) **Field of Classification Search**
USPC D24/165–168, 186, 187; 607/5–8, 10, 607/36, 37

FIG. 1 is a front perspective assembled view showing our design;
FIG. 2 is a right side elevation view thereof;
FIG. 3 is a left side elevation view thereof;
FIG. 4 is a bottom plan view thereof;
FIG. 5 is a front elevation view thereof;
FIG. 6 is a top plan view thereof; and,
FIG. 7 is a rear elevation view thereof.

The broken lines are included for the purpose of illustrating a portion of the utility module with a bridge back for receiving a defibrillator and form no part of the claimed design.

See application file for complete search history.

1 Claim, 4 Drawing Sheets



(56)

References Cited

U.S. PATENT DOCUMENTS

D693,006 S * 11/2013 Arimitsu et al. D24/167
2001/0041920 A1 11/2001 Starkweather et al.
2003/0045905 A1* 3/2003 Daynes et al. 607/5
2003/0097160 A1 5/2003 Caby et al.
2003/0167074 A1 9/2003 Merry
2004/0111122 A1* 6/2004 Daynes et al. 607/5
2006/0149321 A1 7/2006 Merry et al.
2006/0149323 A1 7/2006 Merry et al.
2006/0173498 A1 8/2006 Banville
2009/0264948 A1 10/2009 Tamura et al.
2009/0295326 A1 12/2009 Daynes et al.

2010/0114236 A1 5/2010 Jiang et al.
2011/0208259 A1 8/2011 Pearce et al.
2013/0096649 A1 4/2013 Martin et al.

OTHER PUBLICATIONS

Int'l Search Report and Written Opinion, PCT/US2012/071448,
mailed Feb. 8, 2013, 11 pages.
Int'l Search Report and Written Opinion, PCT/US2012/071450,
mailed May 24, 2013, 10 pages.
Int'l Search Report and Written Opinion, PCT/US2012/071461,
mailed Apr. 10, 2013, 14 pages.

* cited by examiner

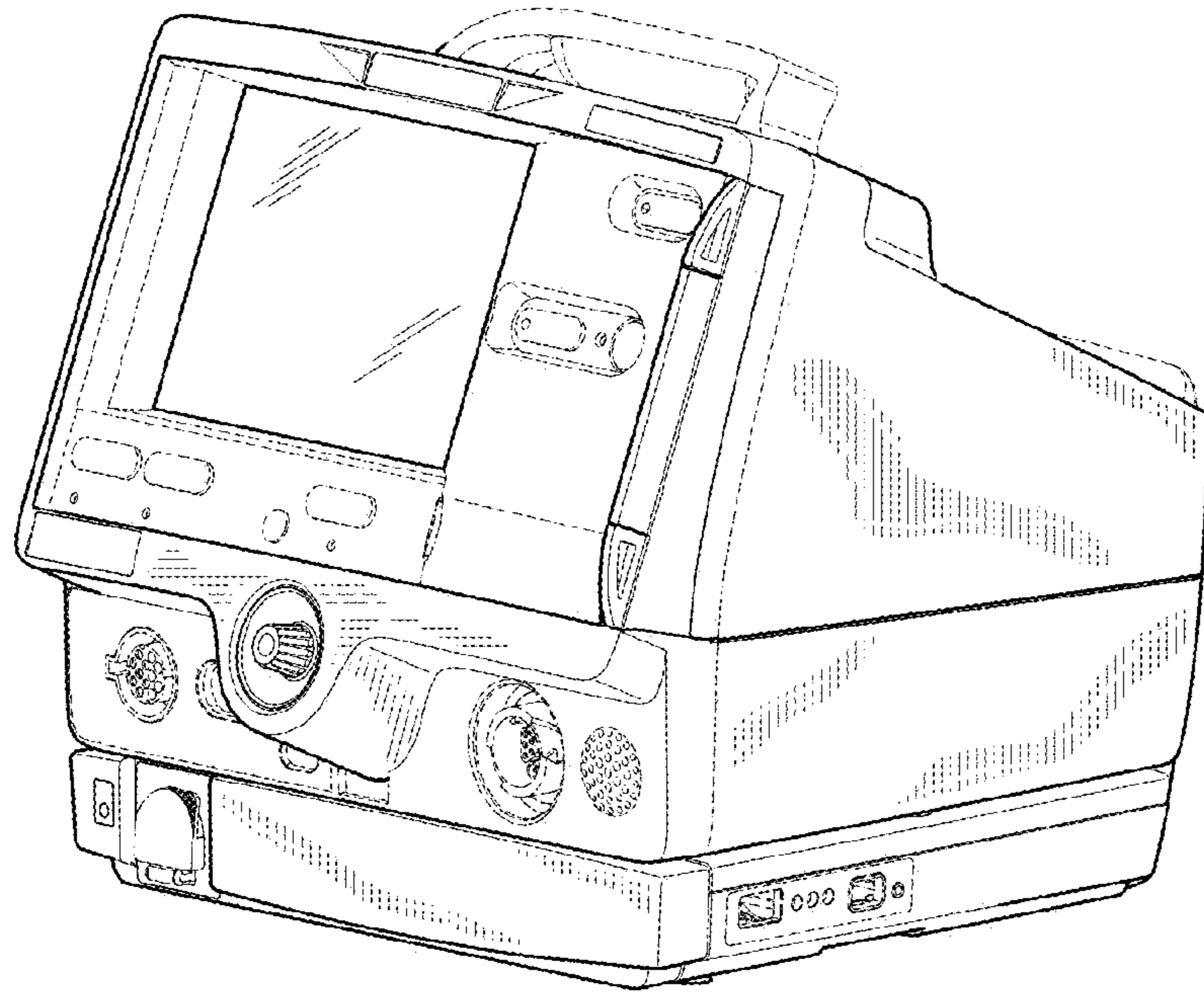


FIG. 1

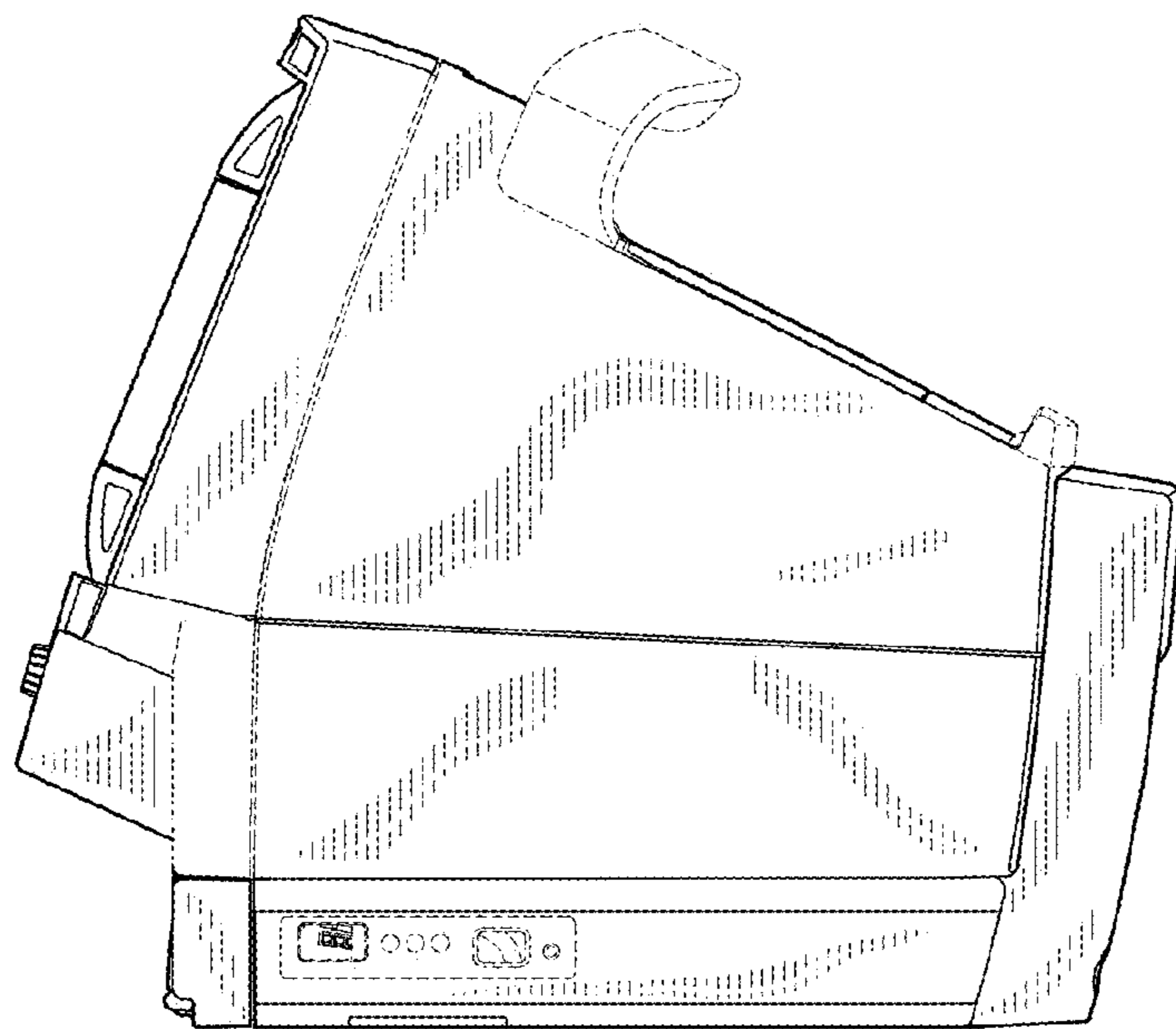


FIG. 2

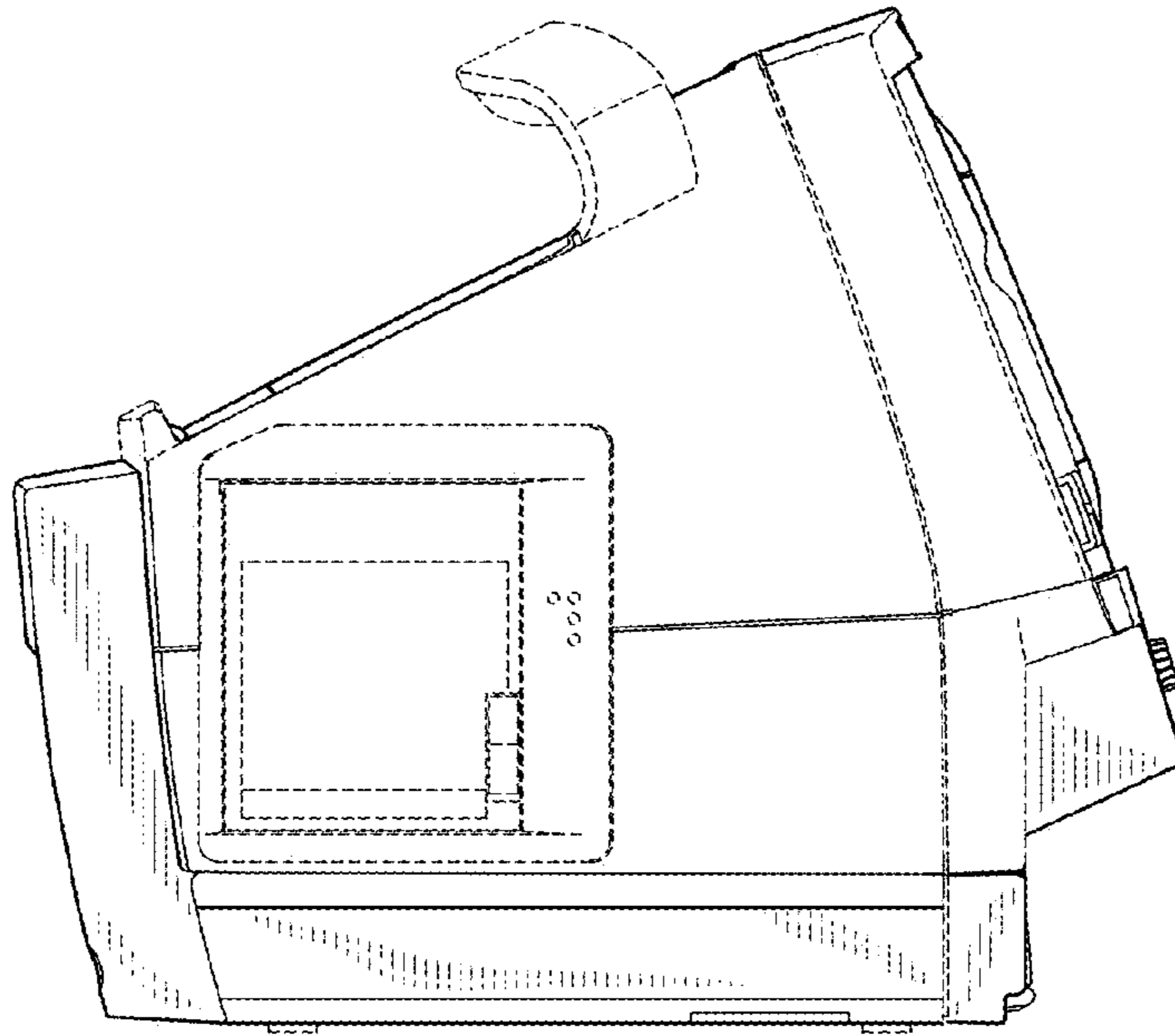


FIG. 3

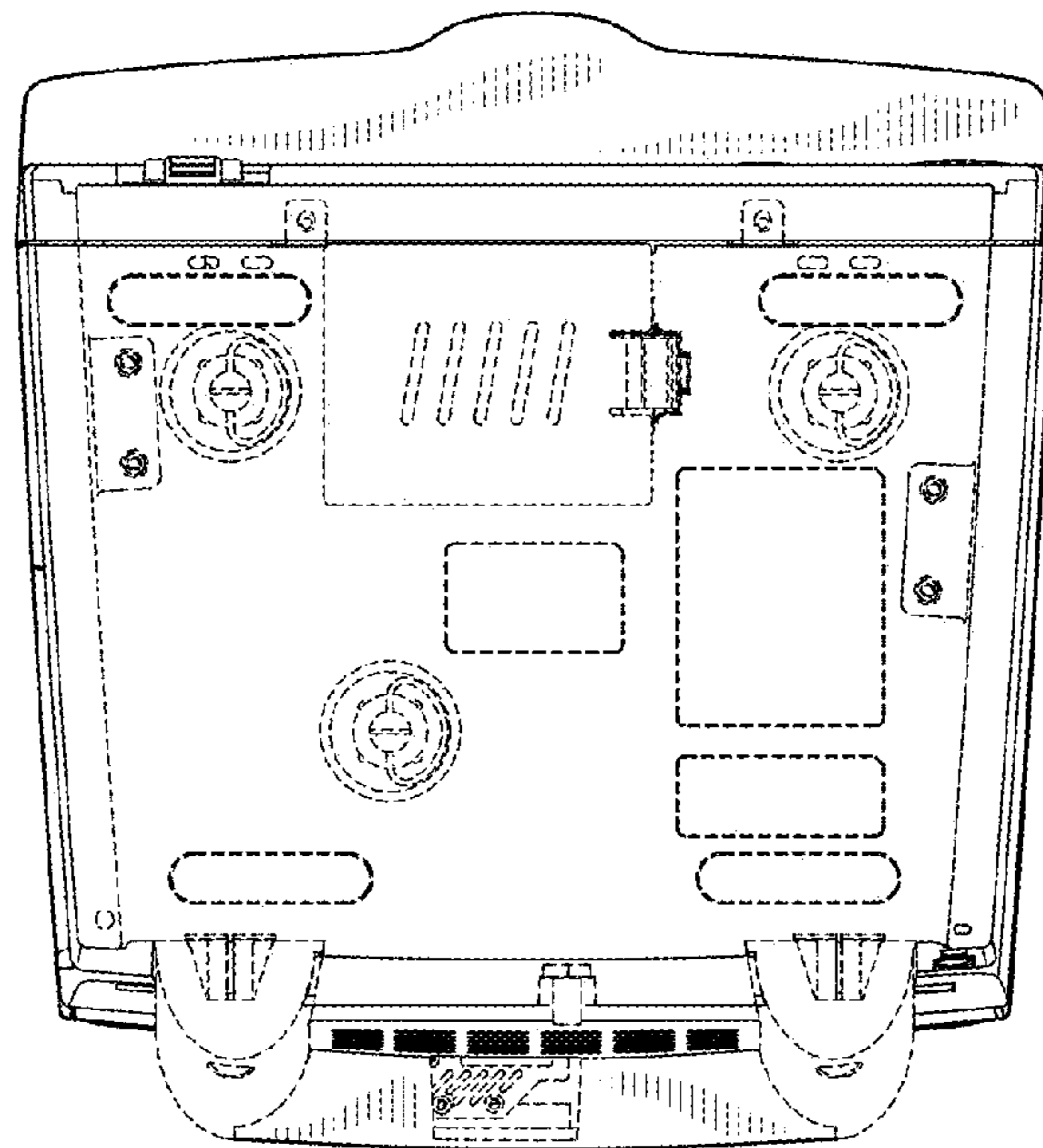


FIG. 4

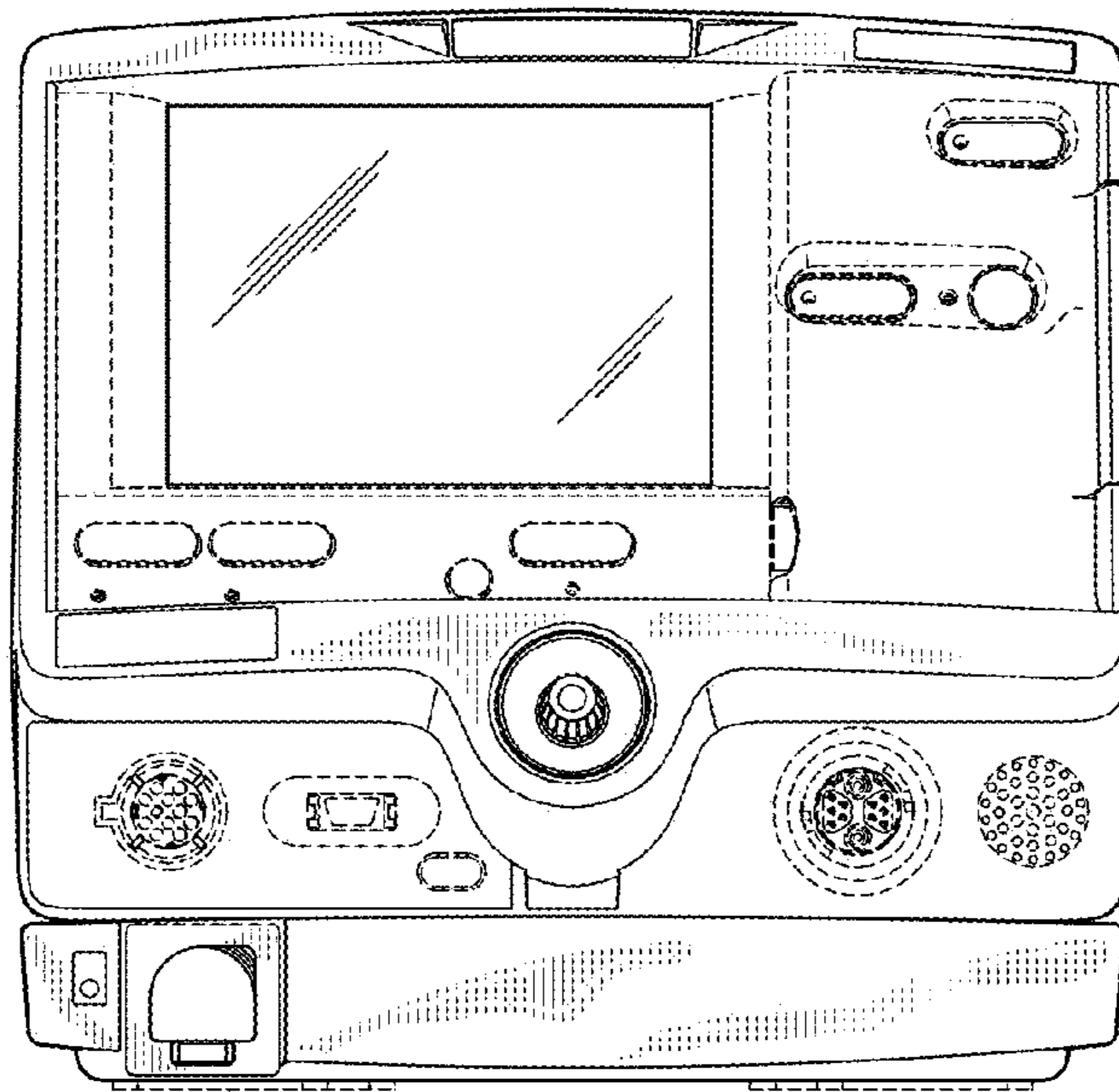


FIG. 5

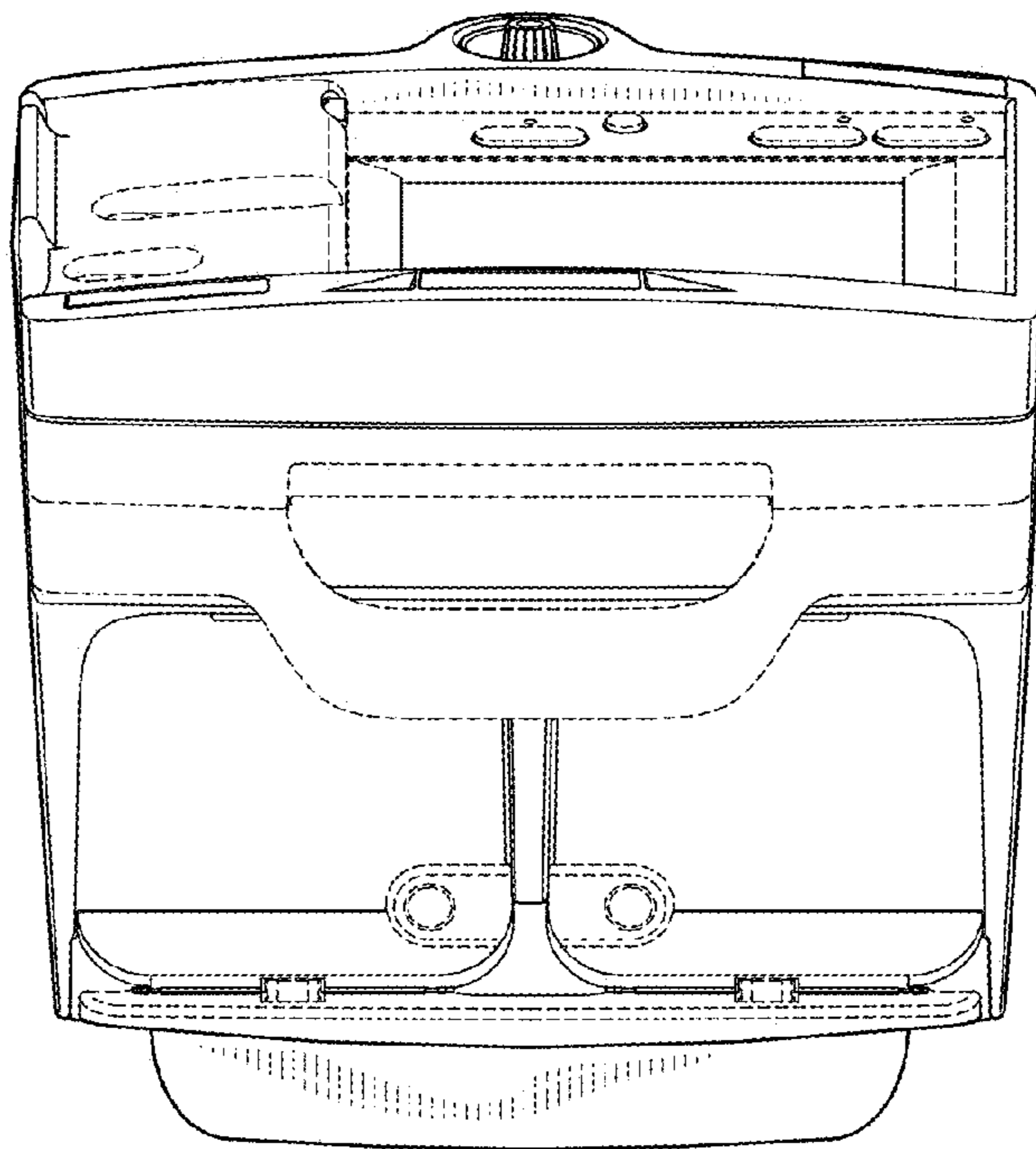


FIG. 6

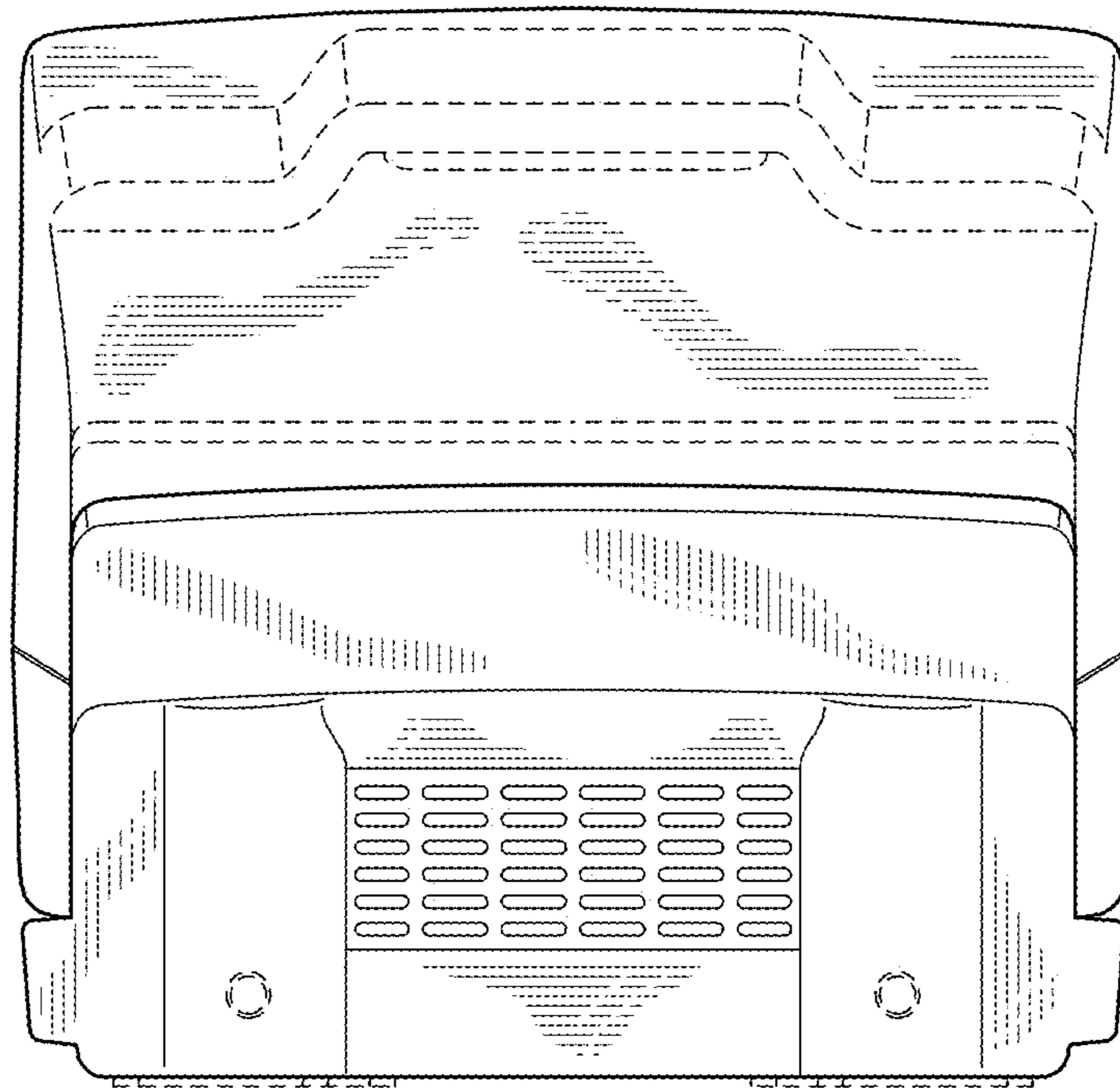


FIG. 7