



US00D724217S

(12) **United States Design Patent**
Wodecki

(10) **Patent No.:** **US D724,217 S**
(45) **Date of Patent:** **** Mar. 10, 2015**

(54) **NEONATAL MAGNETIC RESONANCE
SCANNER SUPPORT CART**

(71) Applicant: **General Electric Company,**
Schenectady, NY (US)

(72) Inventor: **Lionel Jean-Francois Wodecki,**
Maisons-Alfort (FR)

(73) Assignee: **General Electric Company,**
Schenectady, NY (US)

(**) Term: **14 Years**

(21) Appl. No.: **29/473,480**

(22) Filed: **Nov. 22, 2013**

(51) **LOC (10) Cl.** **24-01**

(52) **U.S. Cl.**
USPC **D24/159**

(58) **Field of Classification Search**
USPC D24/158-161, 185, 186, 183, 184, 163;
378/4, 15, 17, 21, 23-27, 62, 68,
378/196-198, 209; 600/407, 409, 410, 415,
600/421, 422, 425, 22; 5/601, 607
See application file for complete search history.

(56) **References Cited**

U.S. PATENT DOCUMENTS

5,448,607 A * 9/1995 McKenna 378/4
D441,868 S * 5/2001 Rodenas Santiago
et al. D24/183

6,611,702 B2 8/2003 Rohling et al.
6,973,689 B2 * 12/2005 Lenting et al. 5/601
D547,870 S * 7/2007 Lenfant et al. D24/159
D553,246 S * 10/2007 Banryu D24/183
D639,953 S 6/2011 Wodecki
D667,118 S 9/2012 Wodecki
D681,208 S * 4/2013 Ninomiya et al. D24/159
2013/0003919 A1 * 1/2013 Hsiao et al. 378/20

* cited by examiner

Primary Examiner — Anhdao Doan

(74) *Attorney, Agent, or Firm* — Andrus Intellectual
Property Law, LLP

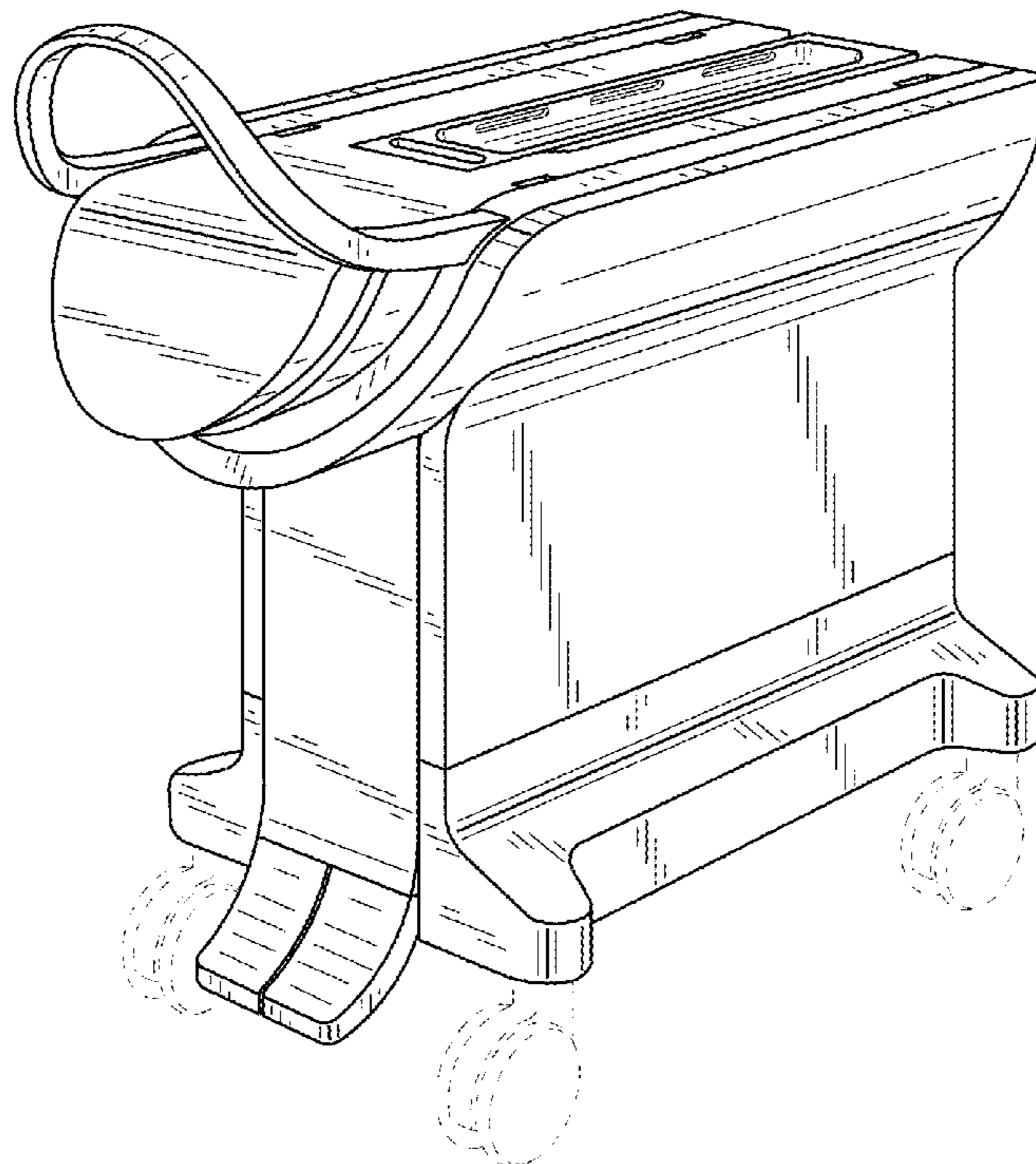
(57) **CLAIM**

The ornamental design for a neonatal magnetic resonance
scanner support cart, as shown and described.

DESCRIPTION

FIG. 1 is a perspective view of a neonatal magnetic resonance
scanner support cart incorporating my new design;
FIG. 2 is a front elevation view thereof;
FIG. 3 is a back elevation view thereof;
FIG. 4 is a right side elevation view thereof, wherein the left
side elevation view is a mirror image thereof;
FIG. 5 is a top plan view thereof; and,
FIG. 6 is a bottom plan view thereof.
The broken lines shown in the drawing Figures are for pur-
poses of illustrating portions of the article and form no part of
the claimed design.

1 Claim, 5 Drawing Sheets



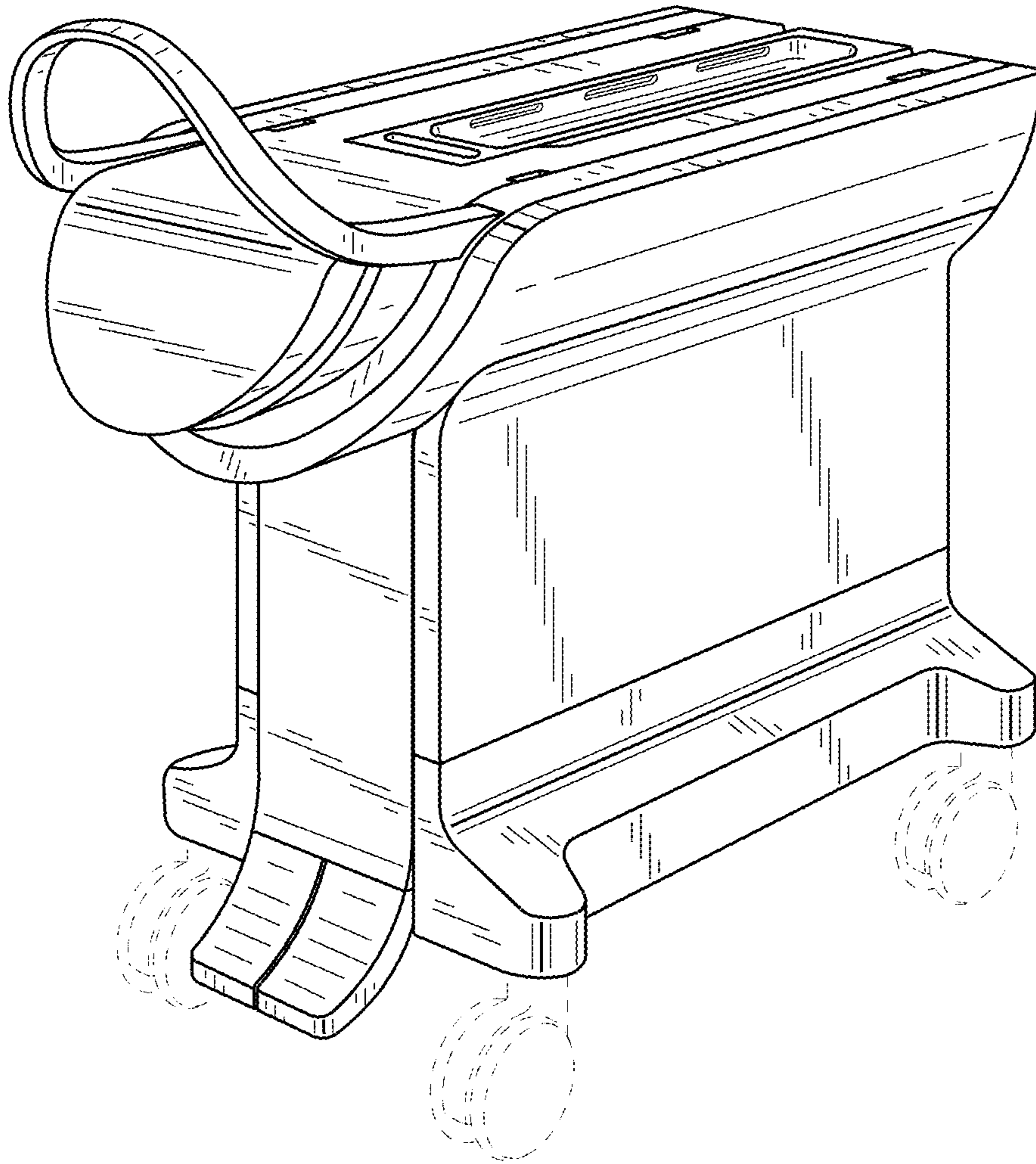


FIG. 1

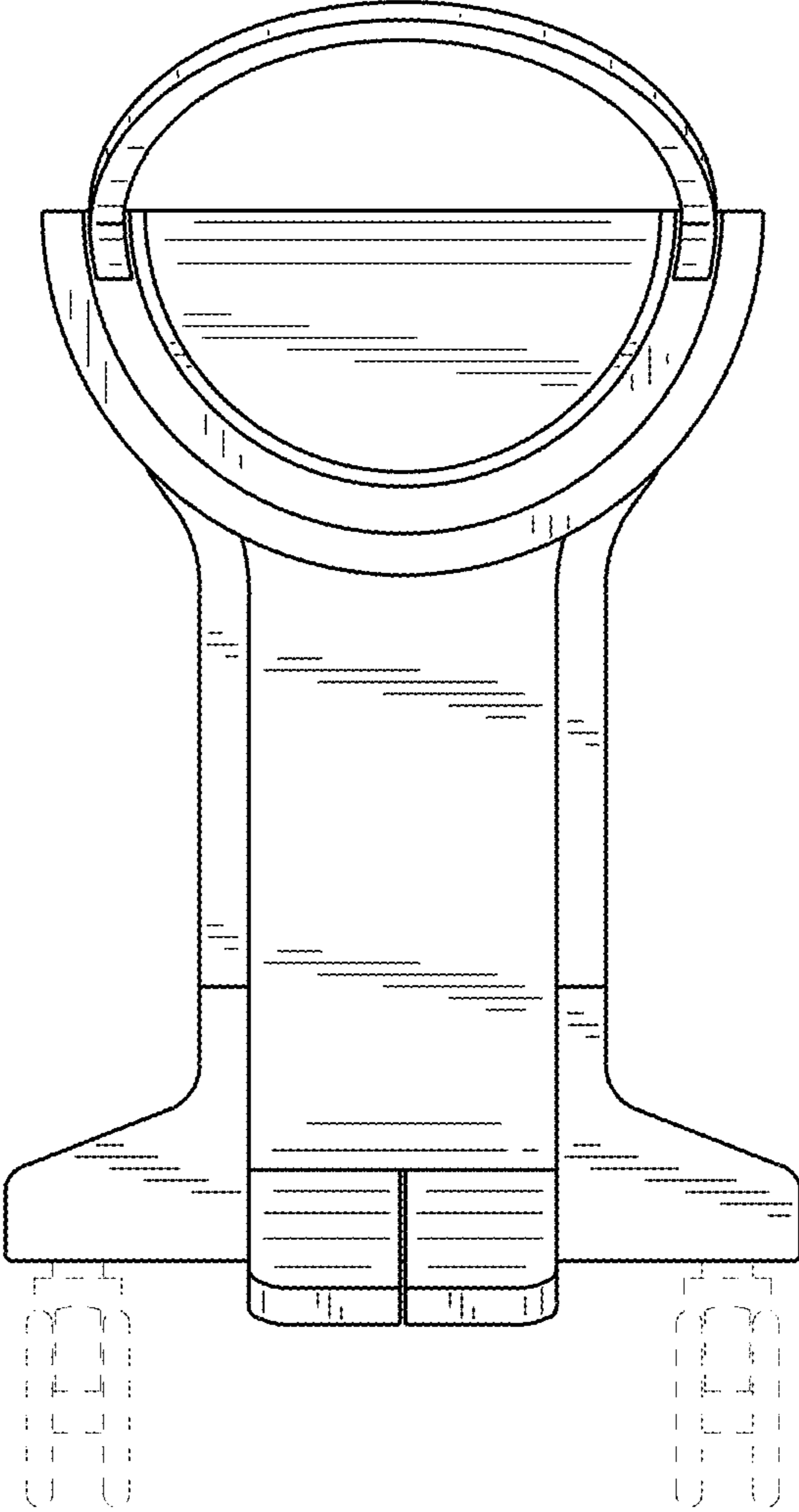


FIG. 2

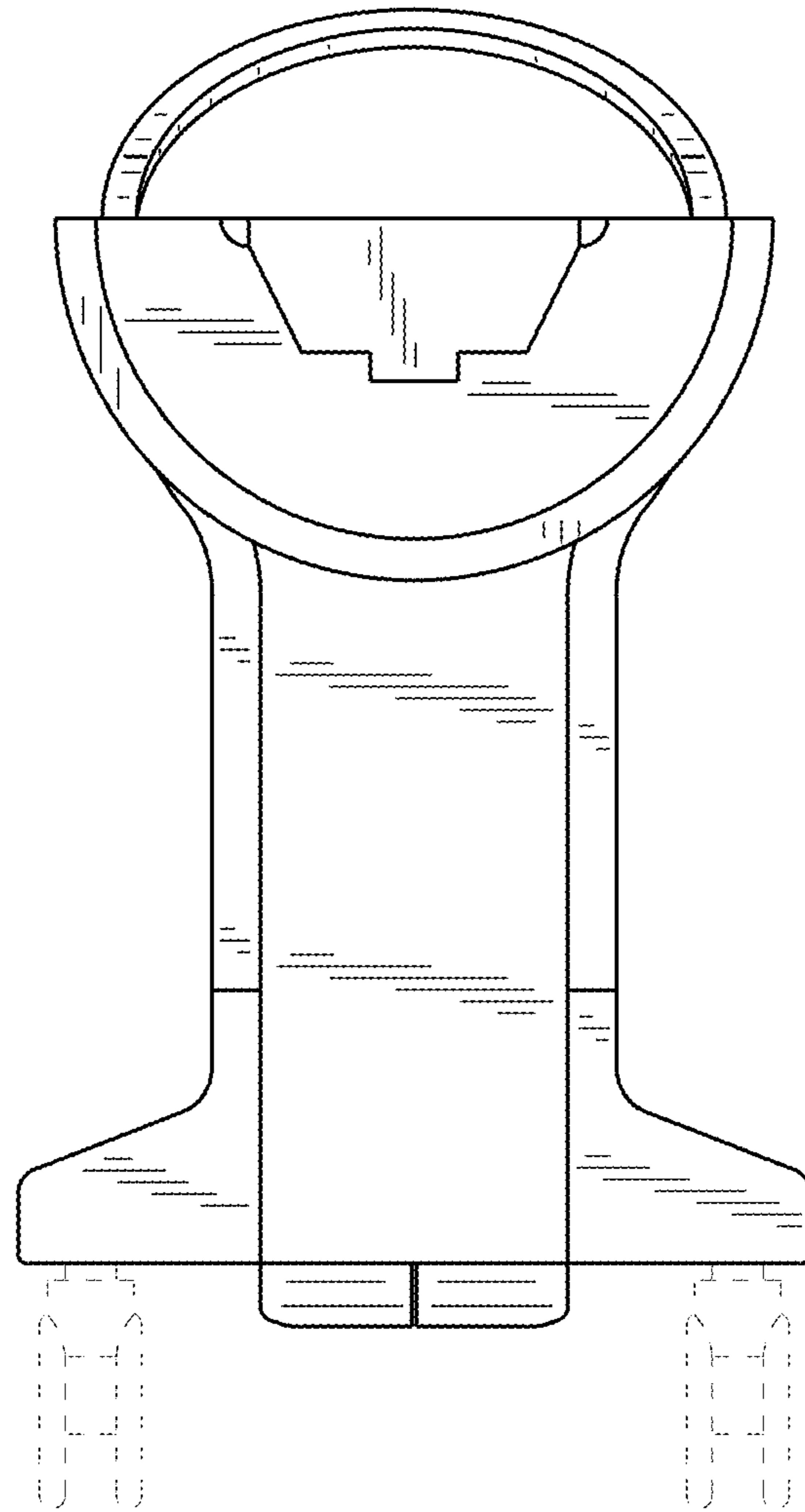


FIG. 3

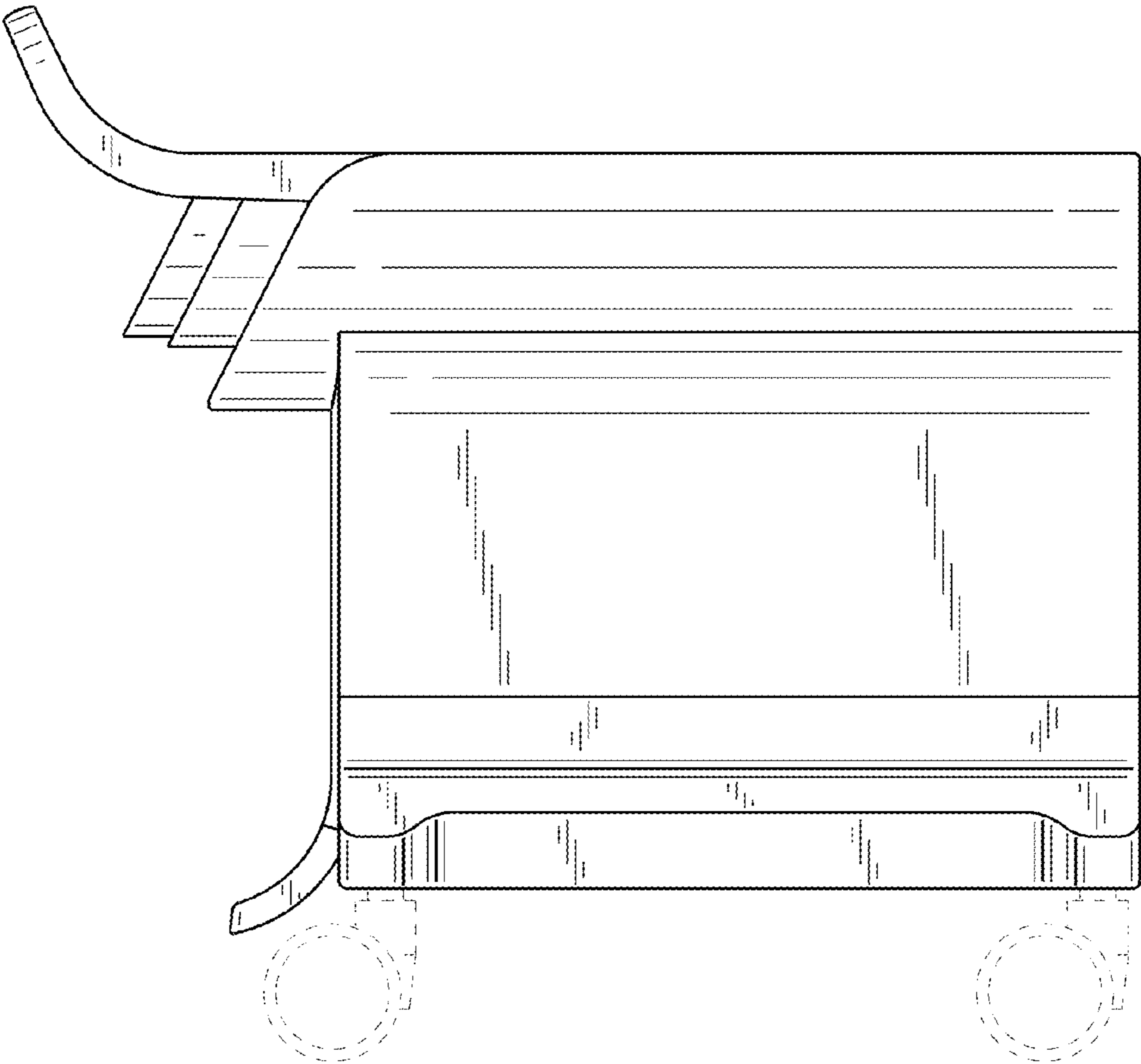


FIG. 4

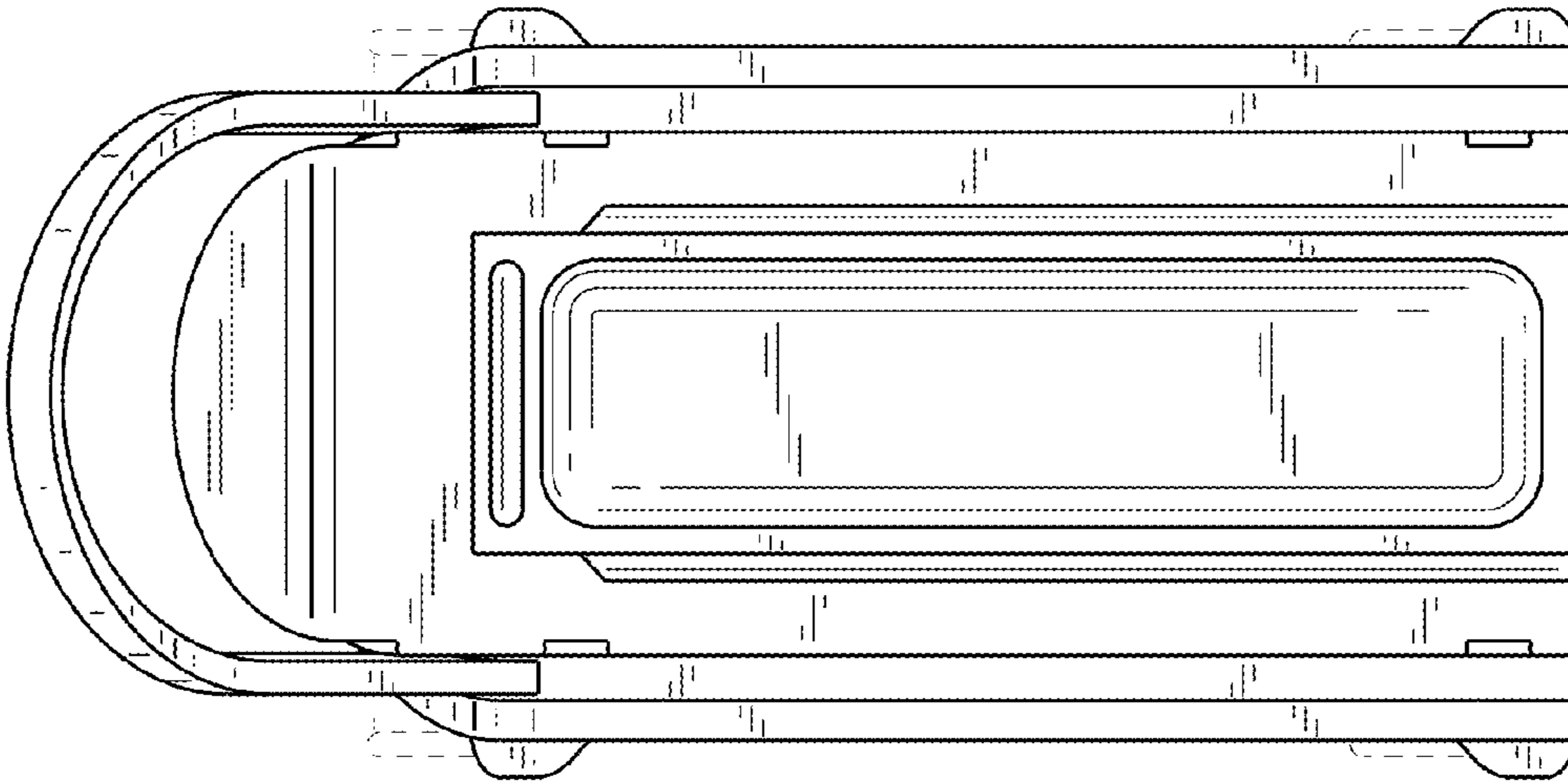


FIG. 5

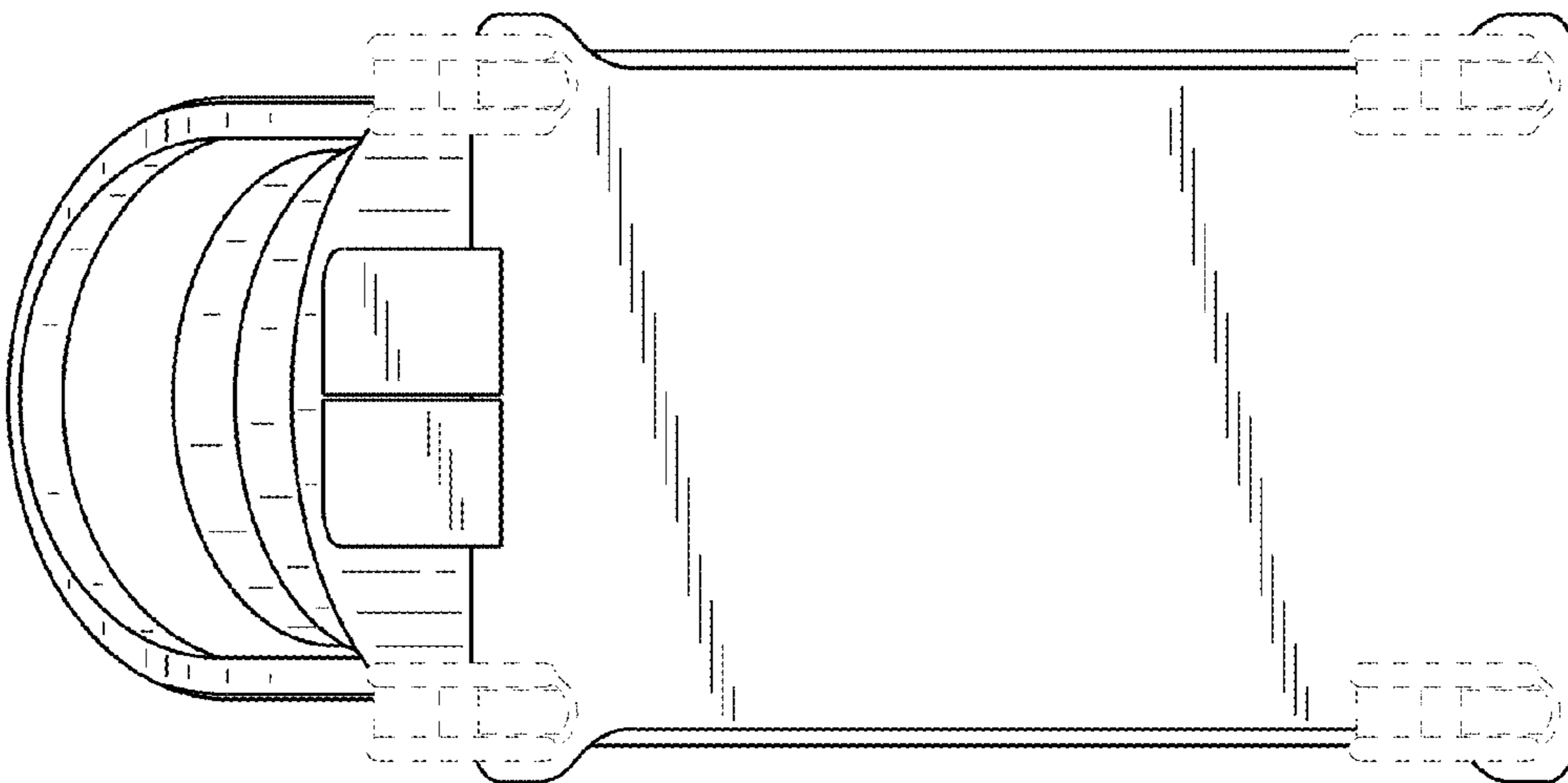


FIG. 6