



US00D724216S

(12) **United States Design Patent**  
**Gant et al.**

(10) **Patent No.:** **US D724,216 S**  
(45) **Date of Patent:** **\*\* Mar. 10, 2015**

(54) **HANDHELD BACKSCATTER IMAGER**

(71) Applicant: **American Science and Engineering, Inc.**, Billerica, MA (US)

(72) Inventors: **Evan Gant**, Medford, MA (US); **Joongoo Lee**, Boston, MA (US); **Philip Leung**, Waltham, MA (US)

(73) Assignee: **American Science and Engineering, Inc.**, Billerica, MA (US)

(\*\*) Term: **14 Years**

(21) Appl. No.: **29/473,007**

(22) Filed: **Nov. 18, 2013**

(51) **LOC (10) Cl.** ..... **24-01**

(52) **U.S. Cl.**  
USPC ..... **D24/158**

(58) **Field of Classification Search**  
USPC ..... D24/158-161, 185, 186; 378/4, 15, 17, 378/21, 23-27, 62, 68, 196-198, 86-90, 378/102, 103, 121; 600/407, 409, 410, 415, 600/421, 422, 425  
See application file for complete search history.

(56) **References Cited**

**U.S. PATENT DOCUMENTS**

D288,602 S \* 3/1987 Brown, Jr. .... D24/186  
D307,284 S \* 4/1990 Del Corno et al. .... D16/130

D338,417 S \* 8/1993 Van Aken et al. .... D10/78  
7,684,544 B2 \* 3/2010 Wilson ..... 378/102  
D681,814 S \* 5/2013 Nenoki ..... D24/158  
2006/0098779 A1 \* 5/2006 Turner ..... 378/102  
2013/0195248 A1 8/2013 Rothschild et al. .... 378/86

**FOREIGN PATENT DOCUMENTS**

JP 10-185842 A 7/1998 ..... G01N 23/20

\* cited by examiner

*Primary Examiner* — Anhdao Doan

(74) *Attorney, Agent, or Firm* — Sunstein Kann Murphy & Timbers LLP

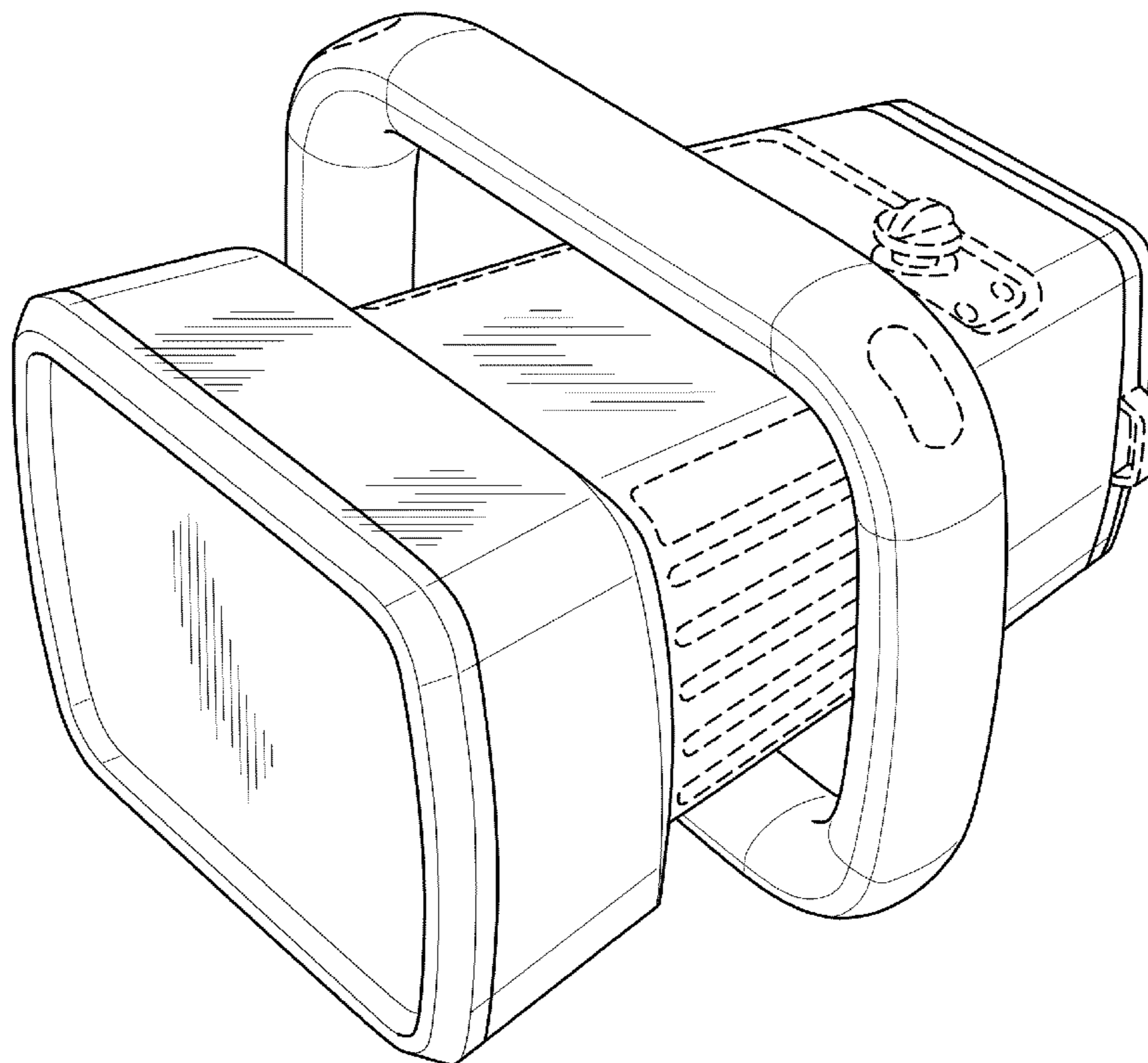
(57) **CLAIM**

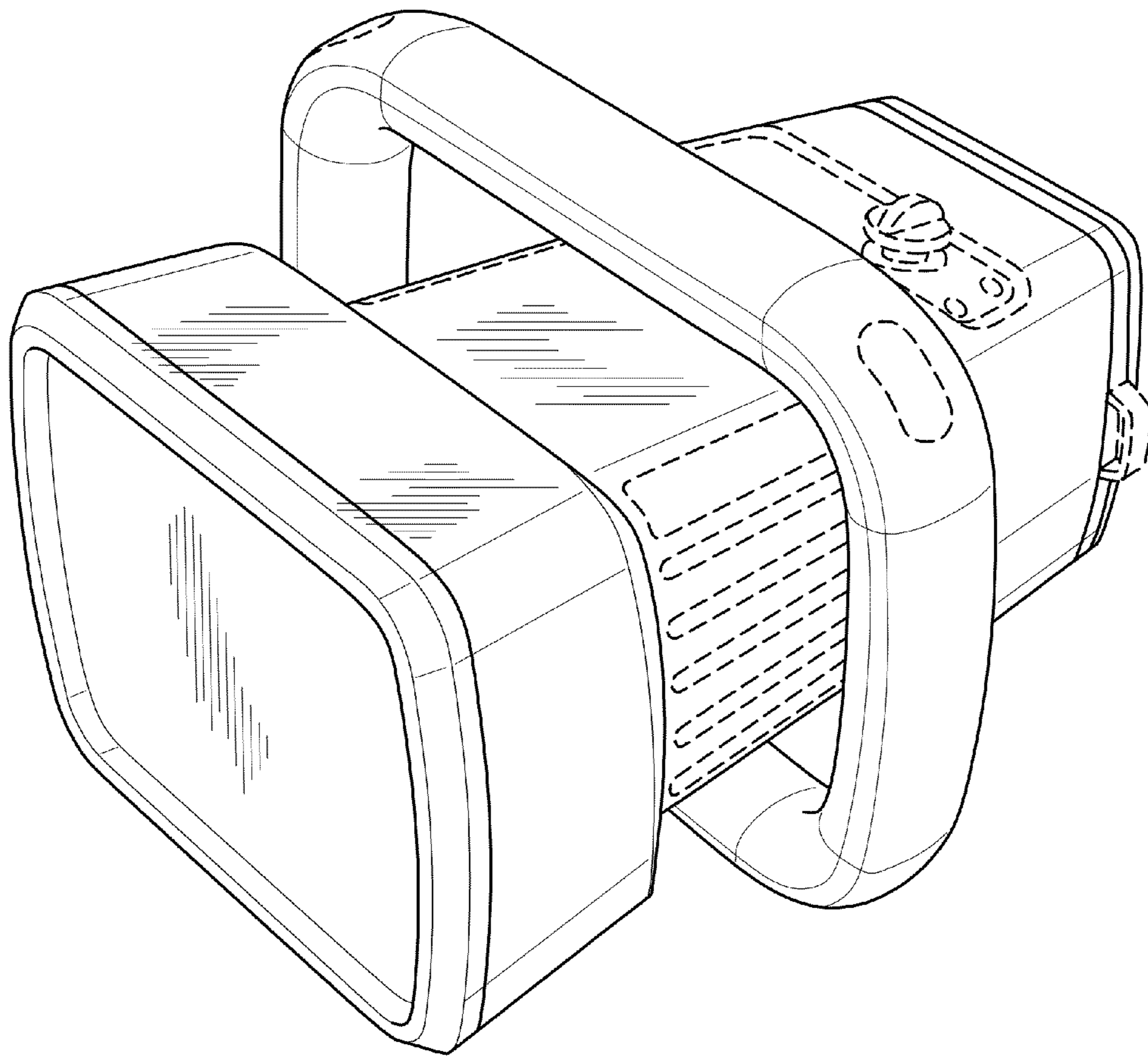
The ornamental design for a handheld backscatter imager, as shown and described.

**DESCRIPTION**

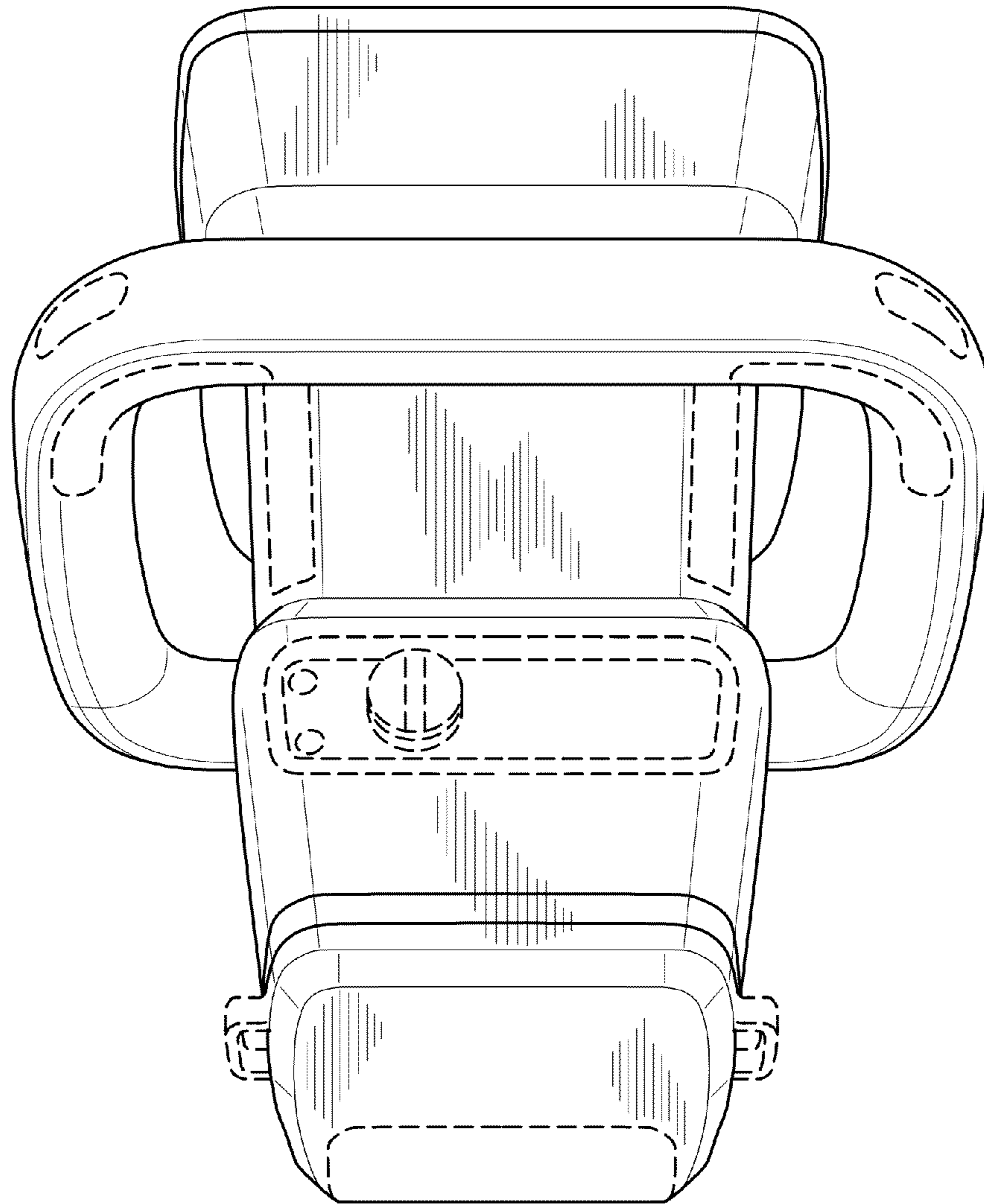
FIG. 1 is a front perspective view of a handheld backscatter imager according to the present design; FIG. 2 is a top perspective view thereof; FIG. 3 is a side view thereof; and, FIG. 4 is a rear perspective view thereof. The broken lines in the drawing views are included for the purpose of illustrating portions of the handheld backscatter imager that form no part of the claimed design.

**1 Claim, 4 Drawing Sheets**

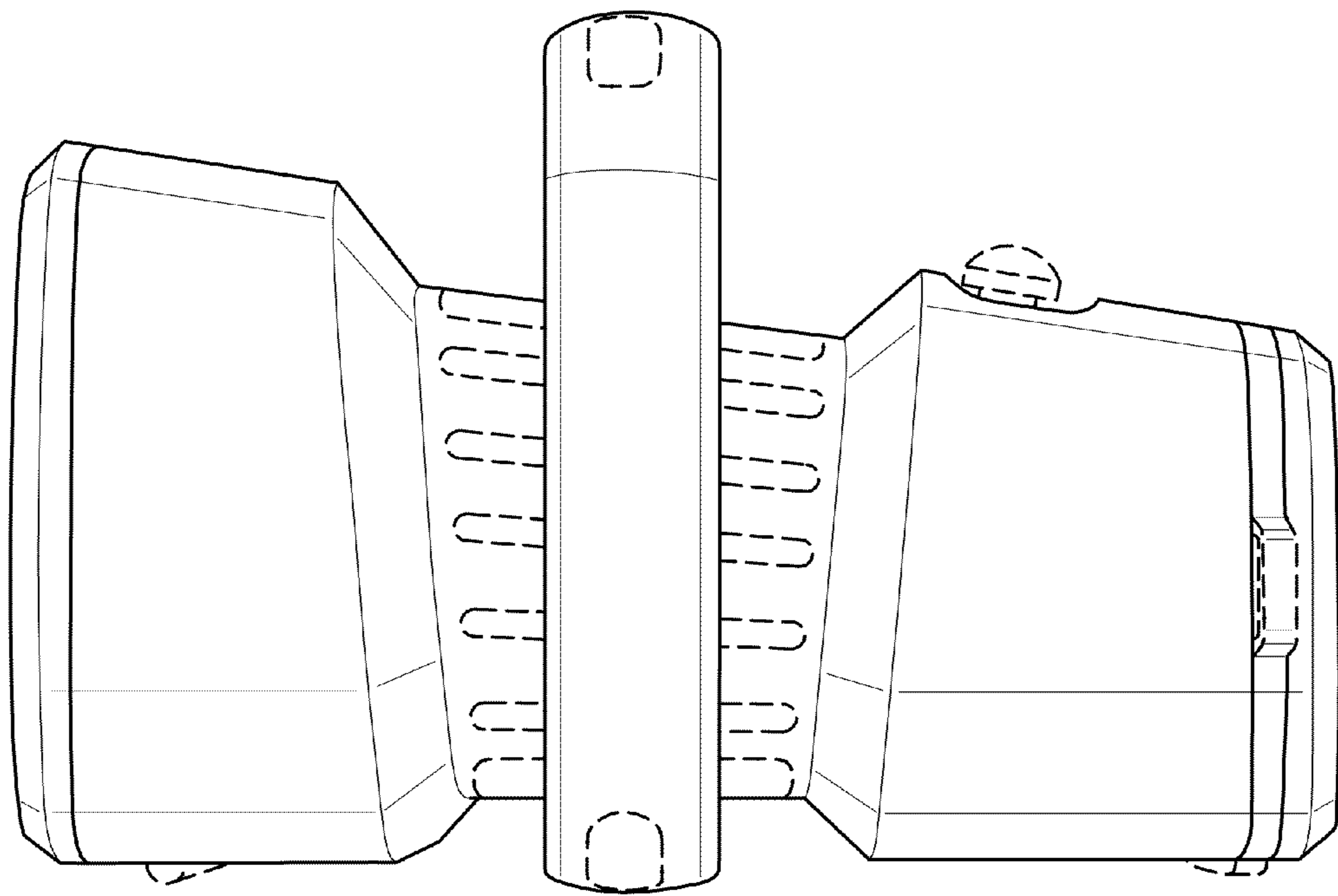




**FIG. 1**

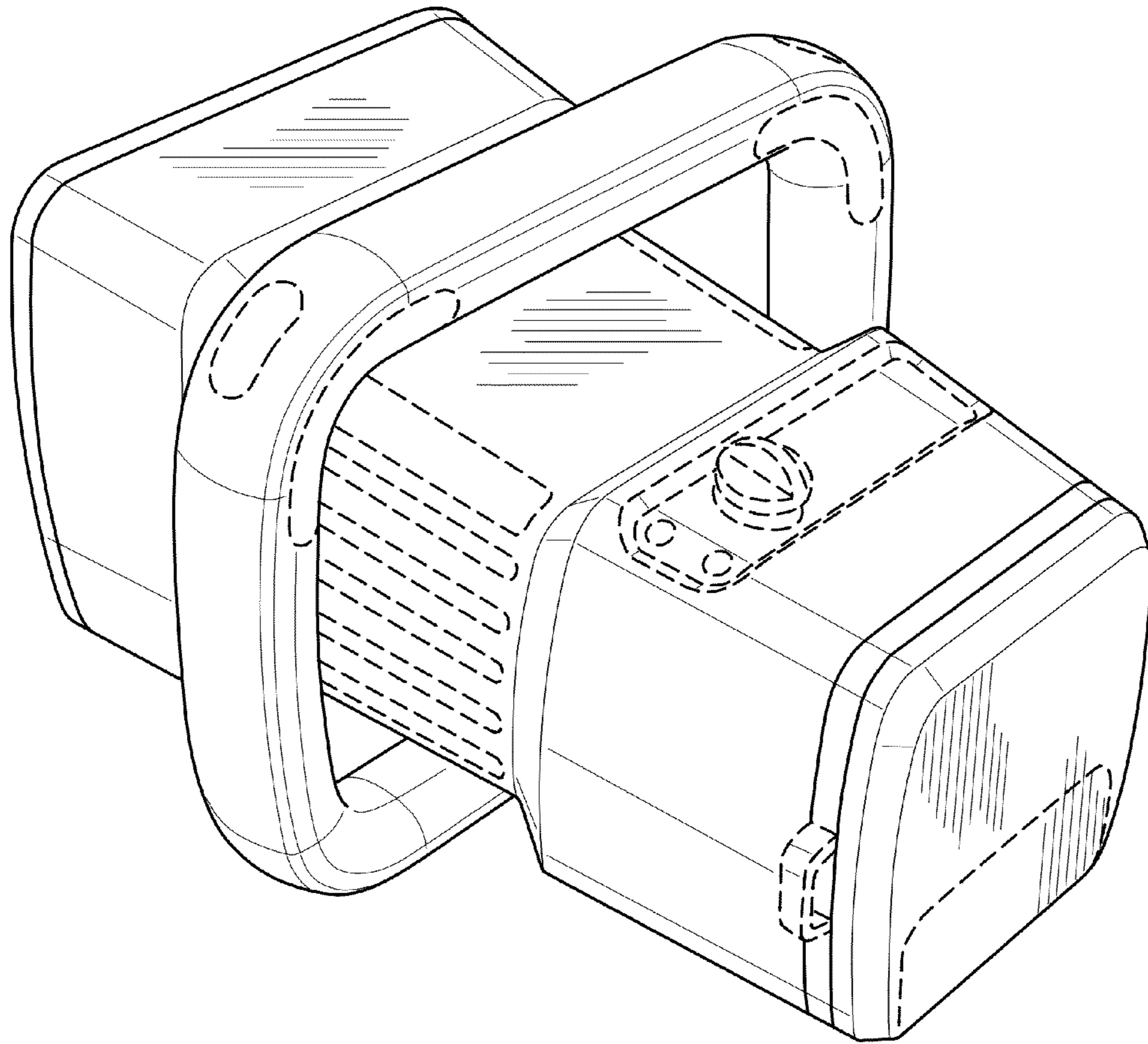


**FIG. 2**



**FIG. 3**





**FIG. 4**