



US00D724215S

(12) **United States Design Patent**
Dreijer

(10) **Patent No.:** **US D724,215 S**
(45) **Date of Patent:** **** Mar. 10, 2015**

(54) **X-RAY IMAGING DEVICE**
(71) Applicant: **Solutions for Tomorrow AB,**
Väckelsång (SE)
(72) Inventor: **Sebastian Dreijer,** Göteborg (SE)
(73) Assignee: **Solutions for Tomorrow AB,**
Väckelsång (SE)

(**) Term: **14 Years**
(21) Appl. No.: **29/472,712**
(22) Filed: **Nov. 15, 2013**

(30) **Foreign Application Priority Data**
May 15, 2013 (EP) 002237909-0001
May 15, 2013 (EP) 002237909-0002
May 15, 2013 (EP) 002237909-0003
(51) **LOC (10) Cl.** **24-01**
(52) **U.S. Cl.**
USPC **D24/158**
(58) **Field of Classification Search**
CPC A61B 6/4405; A61B 6/4411
USPC D24/158-161, 185, 186; 248/282.1;
378/4, 21-27, 102, 196-198
See application file for complete search history.

(56) **References Cited**
U.S. PATENT DOCUMENTS
D215,981 S * 11/1969 Schubert D24/158
D273,892 S * 5/1984 Fenne et al. D24/158
7,720,523 B2 * 5/2010 Omernick et al. 600/427

D617,906 S * 6/2010 Nakahara et al. D24/158
D690,012 S * 9/2013 Yanase et al. D24/158
8,690,425 B2 * 4/2014 Kopcienski et al. 378/198
2010/0329427 A1 * 12/2010 Takae et al. 378/198
2011/0317816 A1 * 12/2011 Bechard et al. 378/98.8
2012/0045037 A1 * 2/2012 Carmichael et al. 378/198
2013/0136240 A1 * 5/2013 Causape Rodriguez
et al. 378/198

* cited by examiner

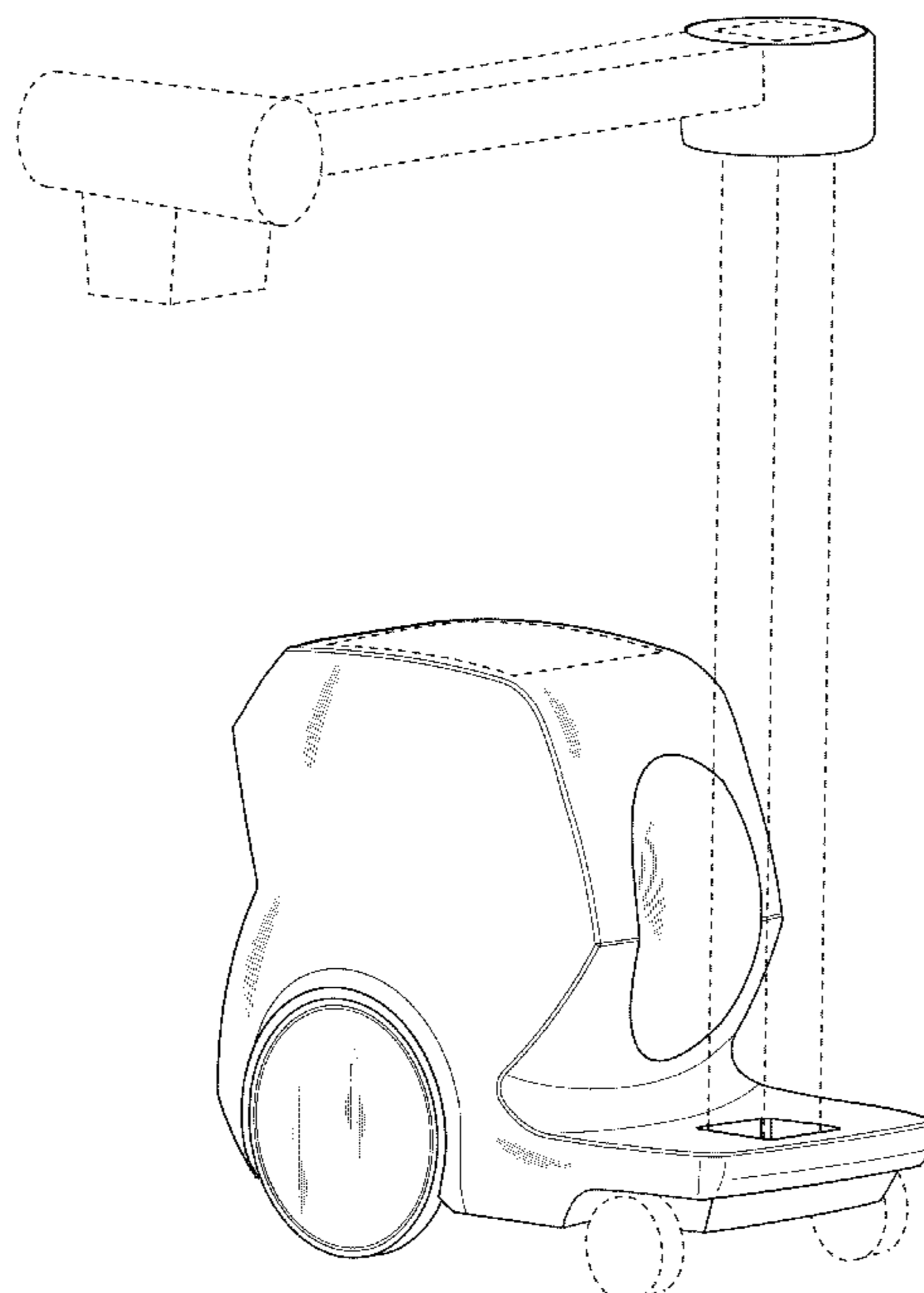
Primary Examiner — Anhdao Doan
(74) *Attorney, Agent, or Firm* — Larson & Larson, P.A.;
Frank Liebenow; Patrick Reid

(57) **CLAIM**
The ornamental design for an x-ray imaging device, as shown
and described.

DESCRIPTION

FIG. 1 is a top plan view of an x-ray imaging device showing
my new design;
FIG. 2 is a bottom plan view thereof;
FIG. 3 is a front elevation view thereof;
FIG. 4 is a rear side elevation view thereof;
FIG. 5 is a left side elevation view thereof, the right side being
a mirror image;
FIG. 6 is a front perspective view thereof in an alternative
configuration; and,
FIG. 7 is a rear perspective view thereof in another alternative
configuration.
The broken lines immediately adjacent the claimed areas in
FIG. 2 represent the bounds of the claim, and all other broken
lines in the drawing views represent environmental struc-
tures. None of the broken lines form a part of the claimed
design.

1 Claim, 7 Drawing Sheets



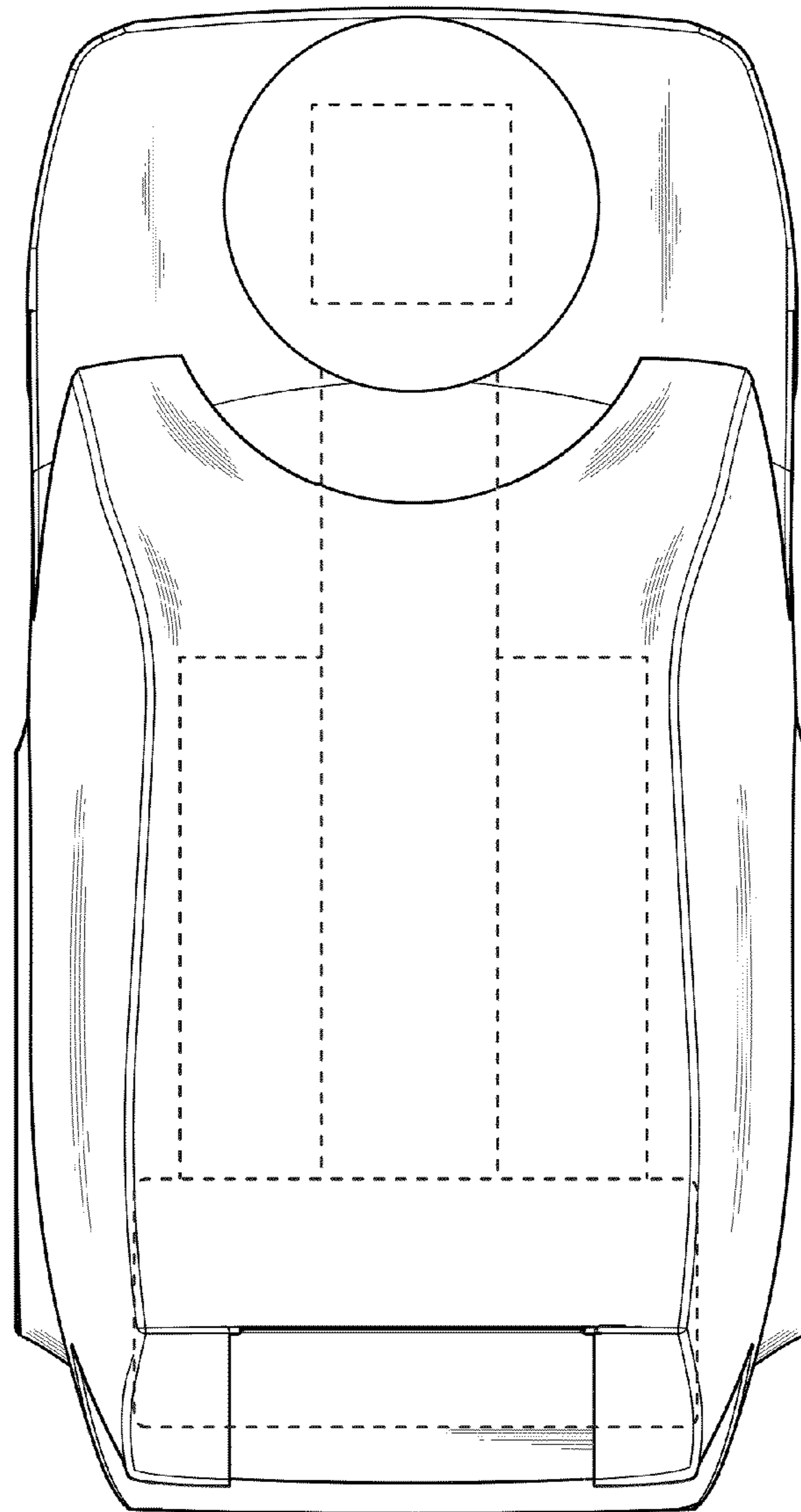


Fig. 1

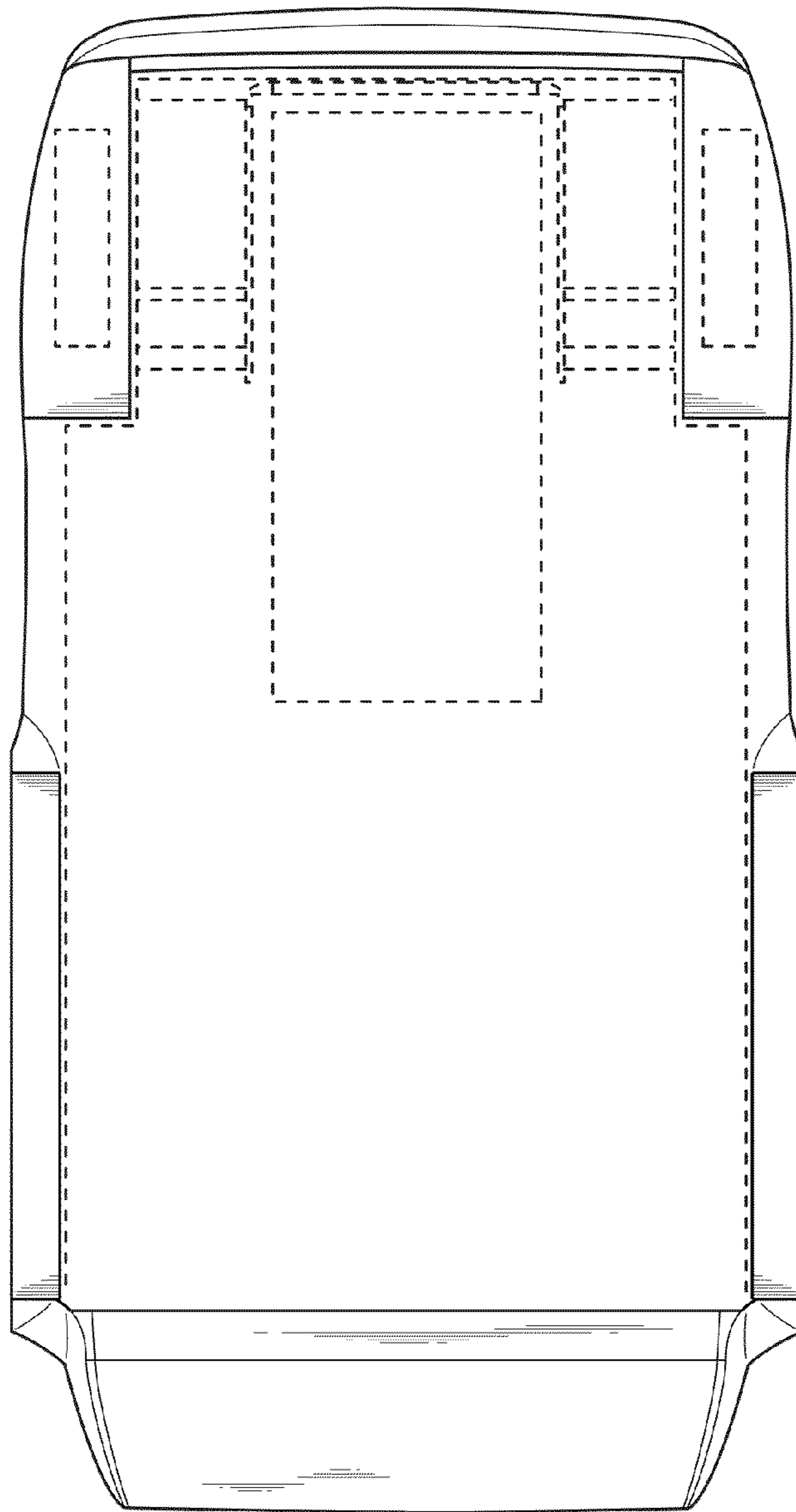


Fig. 2

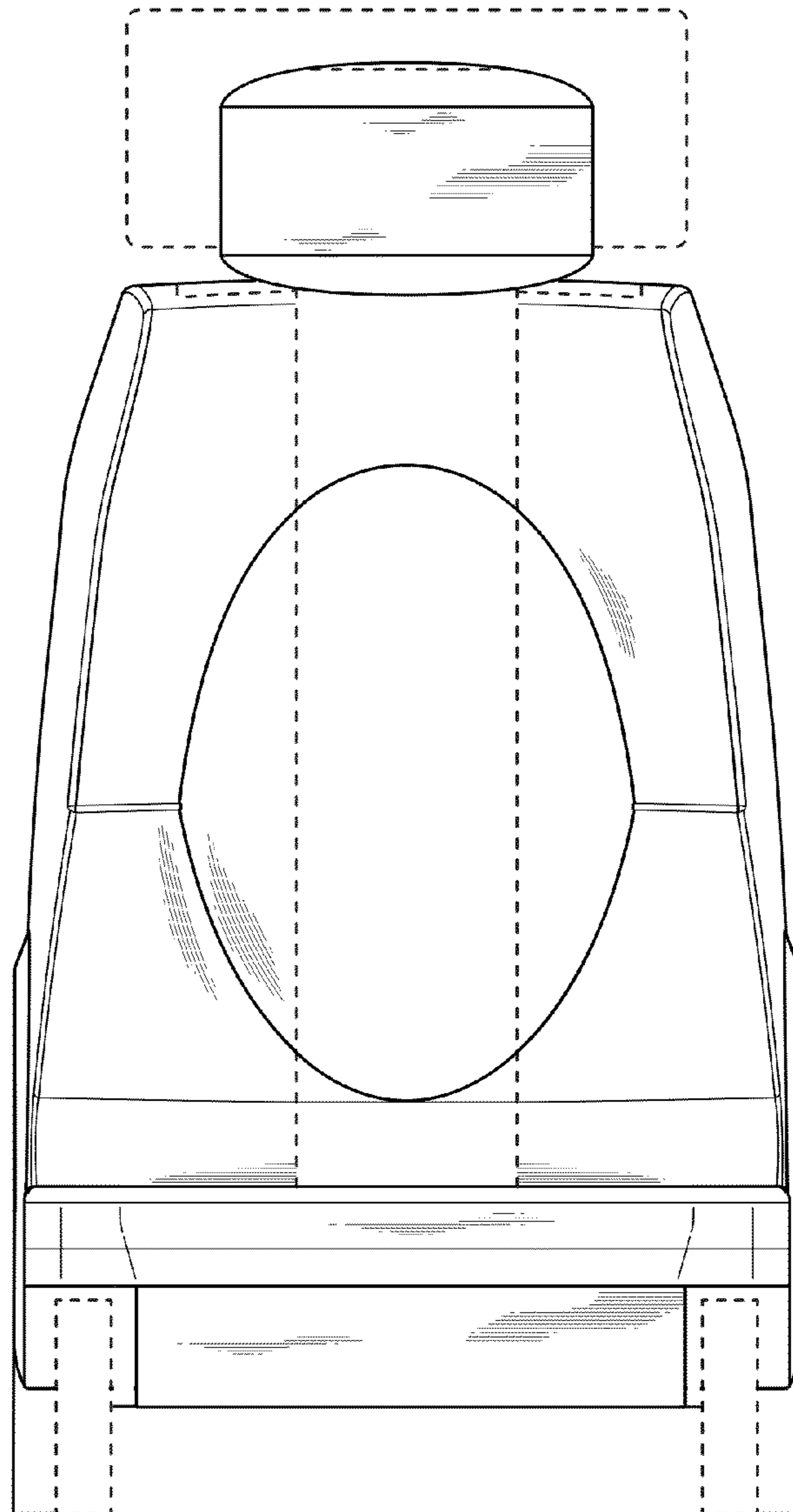


Fig. 3

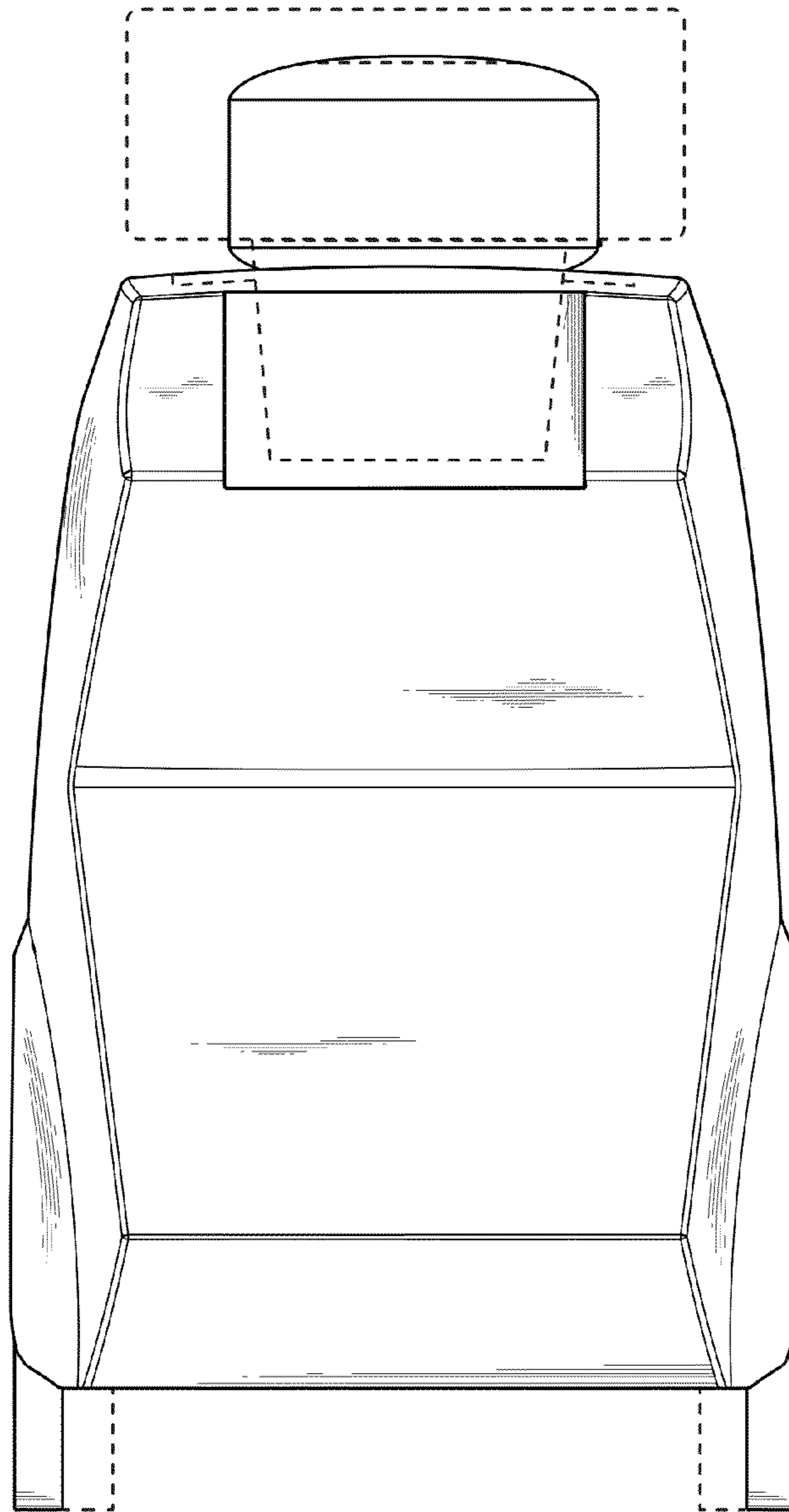


Fig. 4

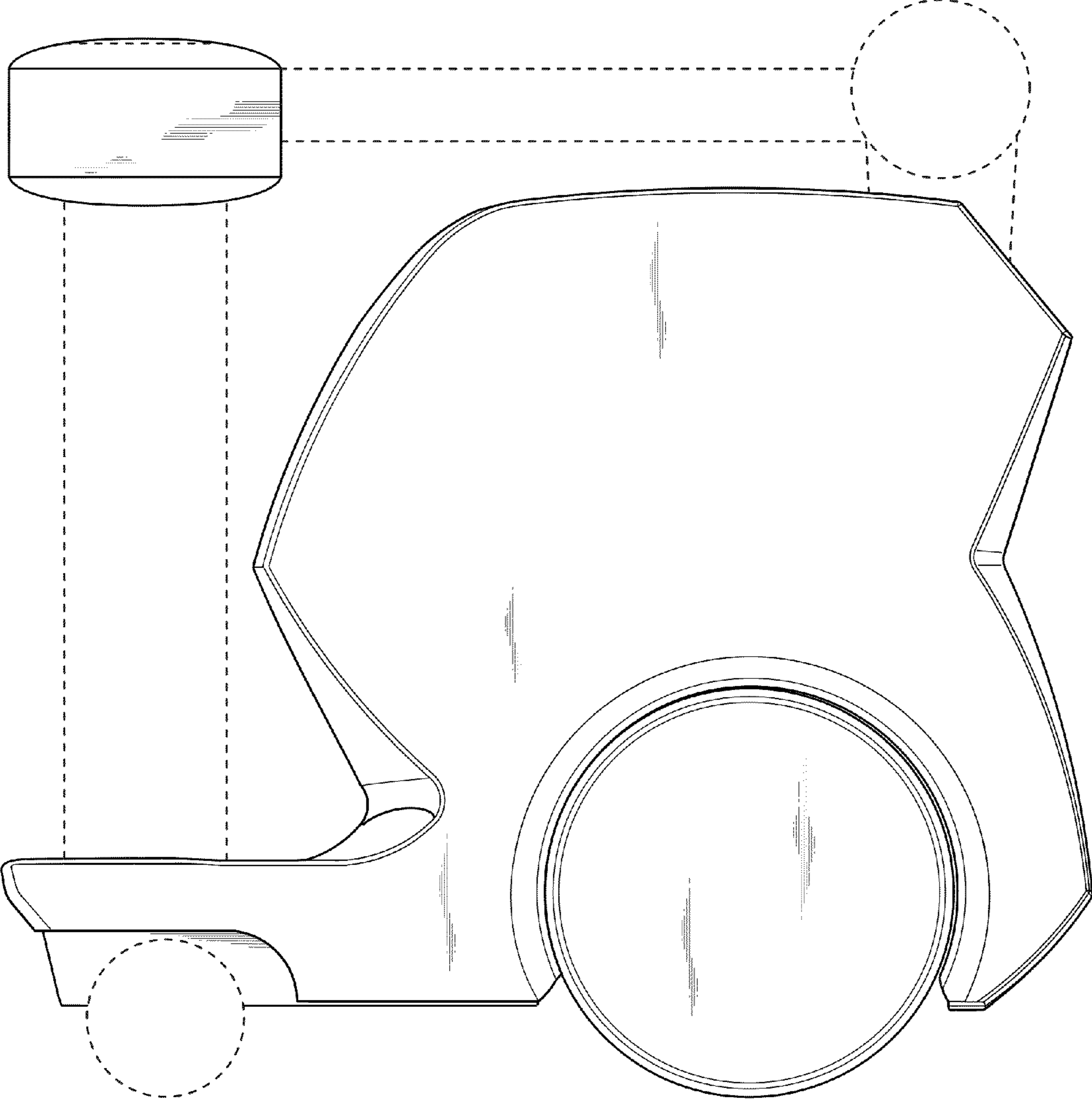


Fig. 5

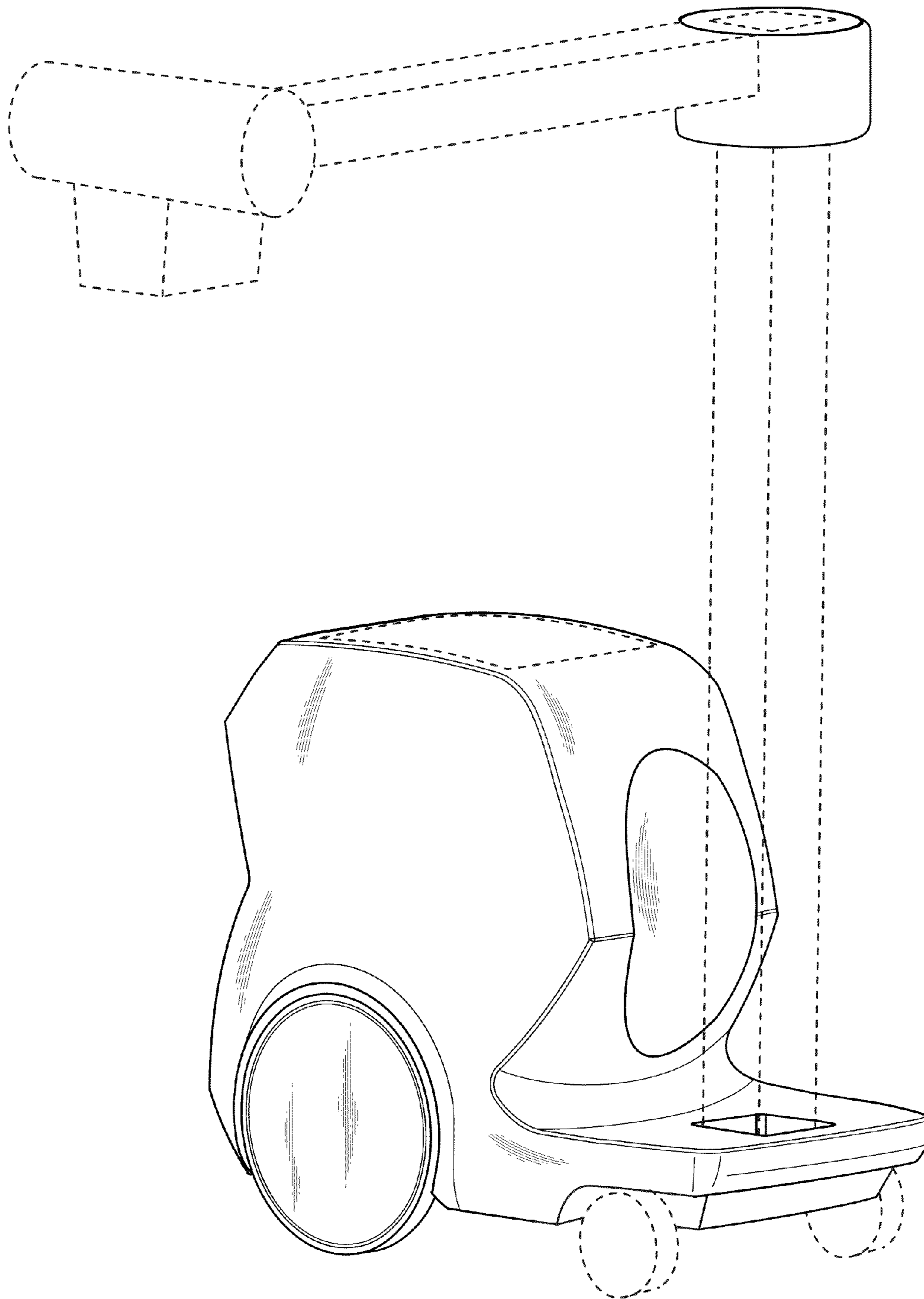


Fig. 6

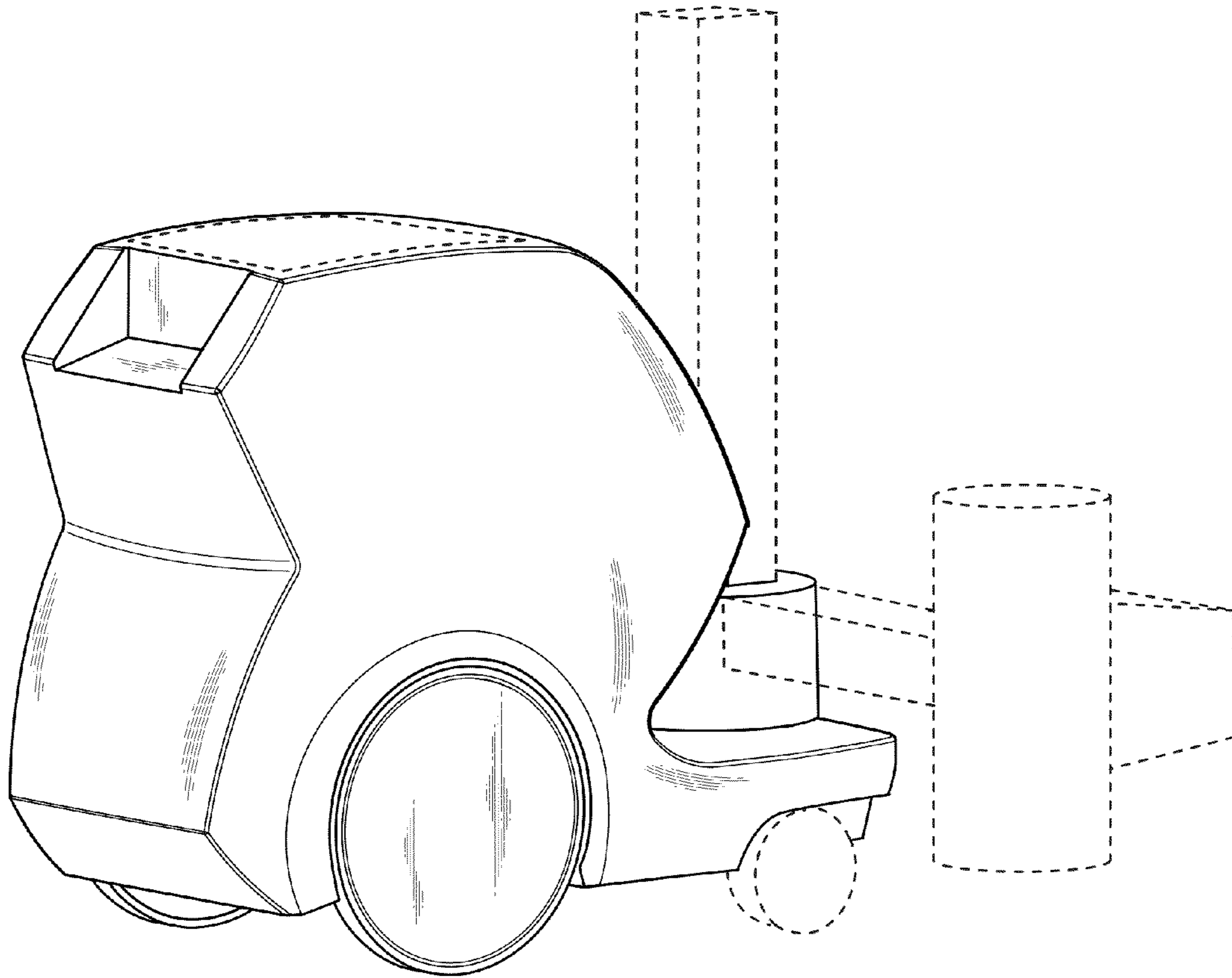


Fig. 7