



US00D724213S

(12) **United States Design Patent**
Tyber

(10) **Patent No.:** **US D724,213 S**
(45) **Date of Patent:** **** Mar. 10, 2015**

- (54) **INTERVERTEBRAL IMPLANT**
- (71) Applicant: **Jeffrey Tyber**, Denville, NJ (US)
- (72) Inventor: **Jeffrey Tyber**, Denville, NJ (US)
- (73) Assignee: **Tyber Medical LLC**, Morristown, NJ (US)
- (**) Term: **14 Years**
- (21) Appl. No.: **29/479,440**
- (22) Filed: **Jan. 16, 2014**

D620,110 S *	7/2010	Courtney et al.	D24/155
D620,113 S *	7/2010	Courtney et al.	D24/155
D620,116 S *	7/2010	Pannu	D24/155
D621,509 S *	8/2010	Lovell	D24/155
D623,747 S	9/2010	Horton	
D623,748 S	9/2010	Horton et al.	
D623,749 S	9/2010	Horton et al.	
D625,820 S *	10/2010	Calverley et al.	D24/155
D627,467 S *	11/2010	Pannu	D24/155
D627,468 S *	11/2010	Richter et al.	D24/155
D629,104 S	12/2010	Calverly et al.	
D629,108 S *	12/2010	Richter et al.	D24/155
D631,967 S	2/2011	Horton	
D637,721 S	5/2011	Horton	
D650,481 S *	12/2011	Gottlieb et al.	D24/155
D671,645 S	11/2012	Curran et al.	
D674,092 S	1/2013	Lovell	

Related U.S. Application Data

- (62) Division of application No. 29/439,949, filed on Dec. 18, 2012, now Pat. No. Des. 700,332.
- (51) **LOC (10) Cl.** **24-02**
- (52) **U.S. Cl.**
USPC **D24/155**
- (58) **Field of Classification Search**
USPC D24/155, 157; 606/90, 85, 86 A, 87,
606/279, 246, 247, 261; 623/17.11-17.18;
128/898; 433/174
See application file for complete search history.

* cited by examiner

Primary Examiner — Ian Simmons

Assistant Examiner — Charles Hanson

(74) *Attorney, Agent, or Firm* — Joseph E. Maenner;
Maenner & Associates, LLC

(57) **CLAIM**

The ornamental design for an intervertebral implant, as shown and described.

DESCRIPTION

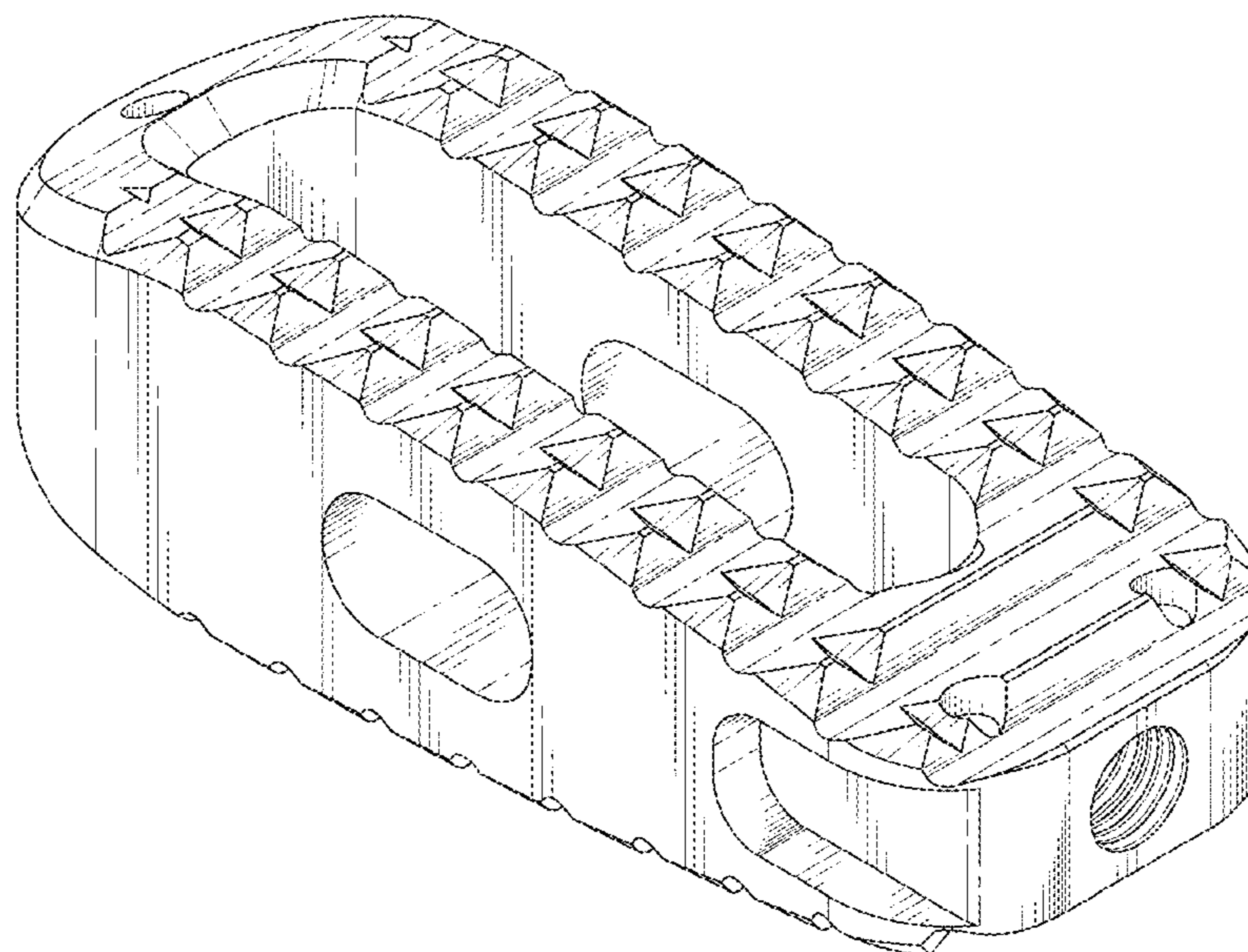
FIG. 1 is a top perspective view of an ornamental design of an intervertebral implant showing my new design.
 FIG. 2 is a bottom perspective view thereof.
 FIG. 3 is a front side view thereof.
 FIG. 4 is a rear view thereof.
 FIG. 5 is a left side view thereof.
 FIG. 6 is a right side view thereof.
 FIG. 7 is a top plan view thereof; and,
 FIG. 8 is a bottom plan view thereof.

(56) **References Cited**

U.S. PATENT DOCUMENTS

D533,277 S *	12/2006	Blain	D24/155
D553,742 S	10/2007	Park	
D580,552 S	11/2008	Cohen et al.	
D594,986 S *	6/2009	Miles et al.	D24/155
D595,853 S	7/2009	Hanson et al.	
D599,019 S *	8/2009	Pimenta et al.	D24/155
D611,147 S	3/2010	Hanson et al.	
D615,653 S	5/2010	Horton	
D616,546 S *	5/2010	Vraney et al.	D24/155

1 Claim, 8 Drawing Sheets



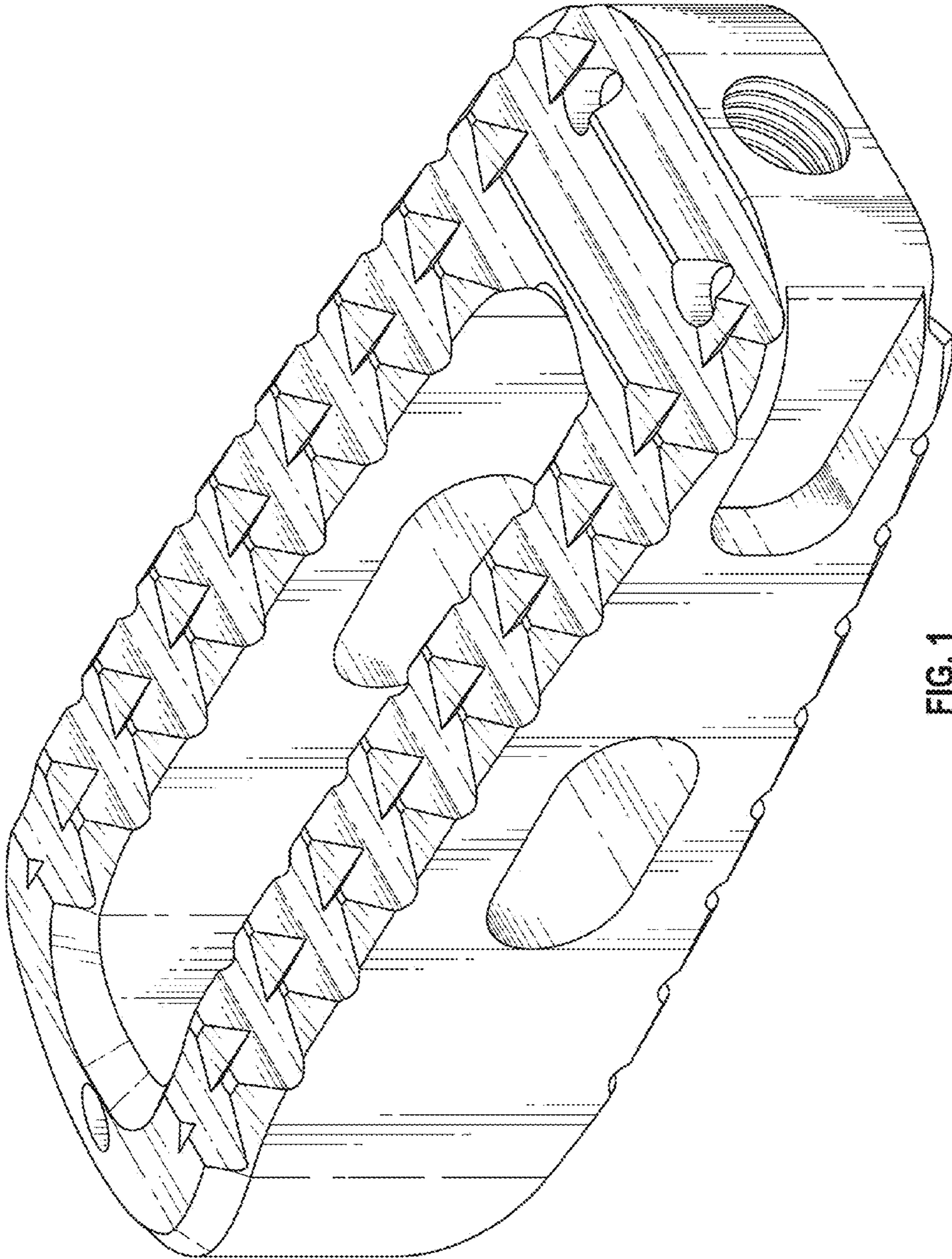


FIG. 1

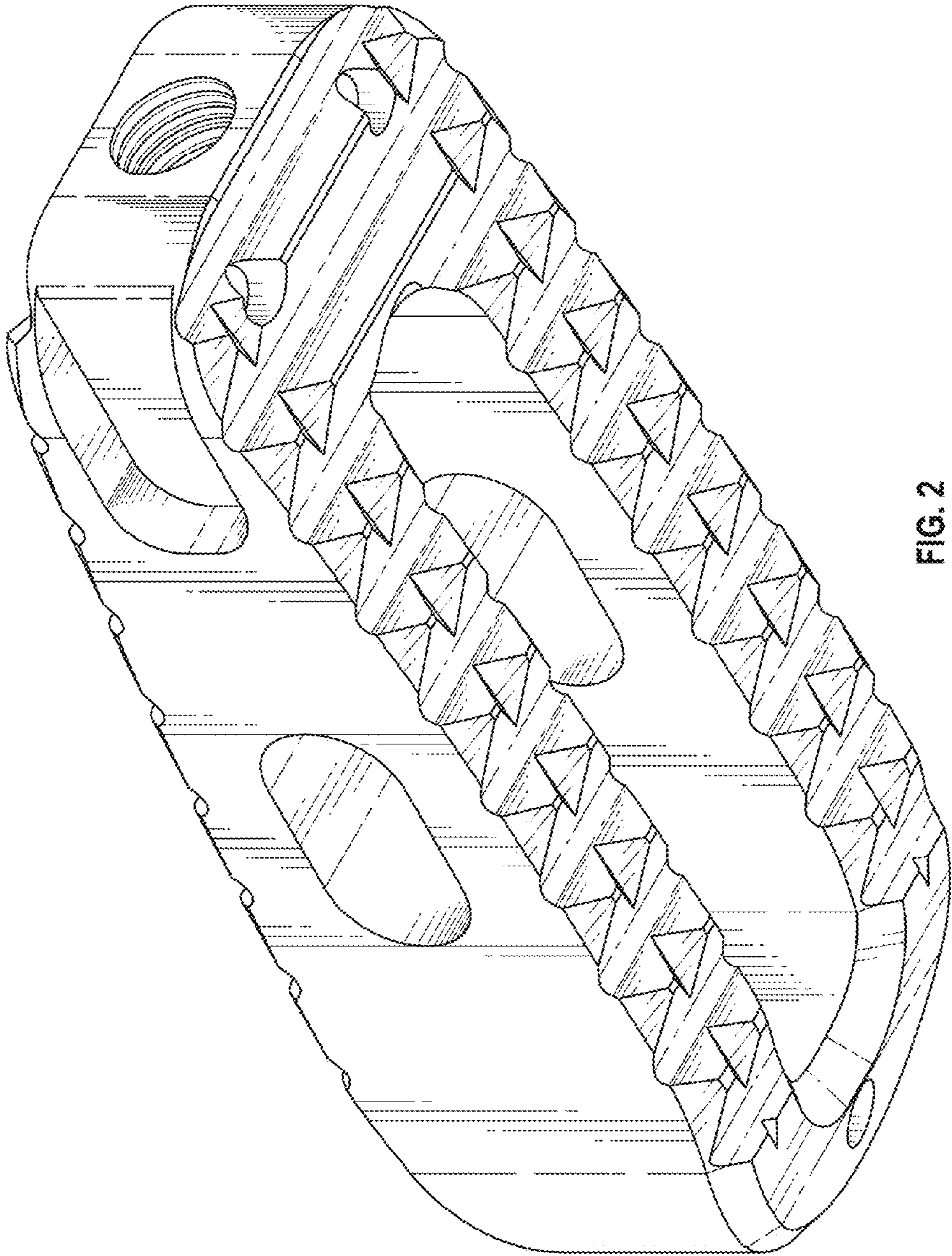


FIG. 2

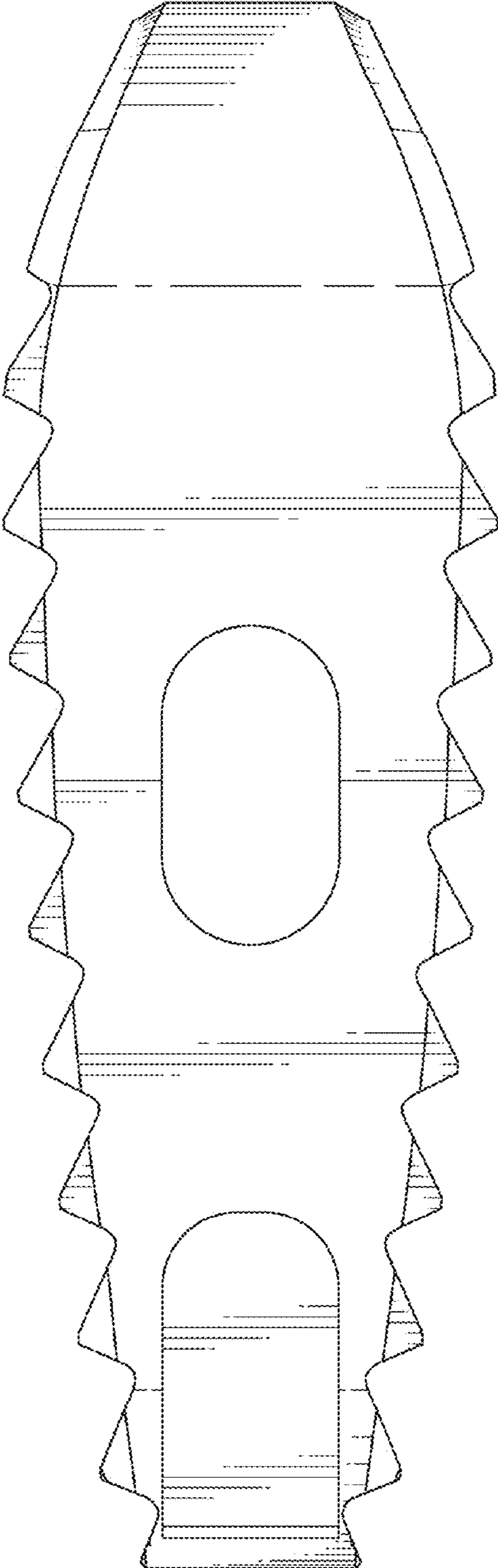


FIG. 3

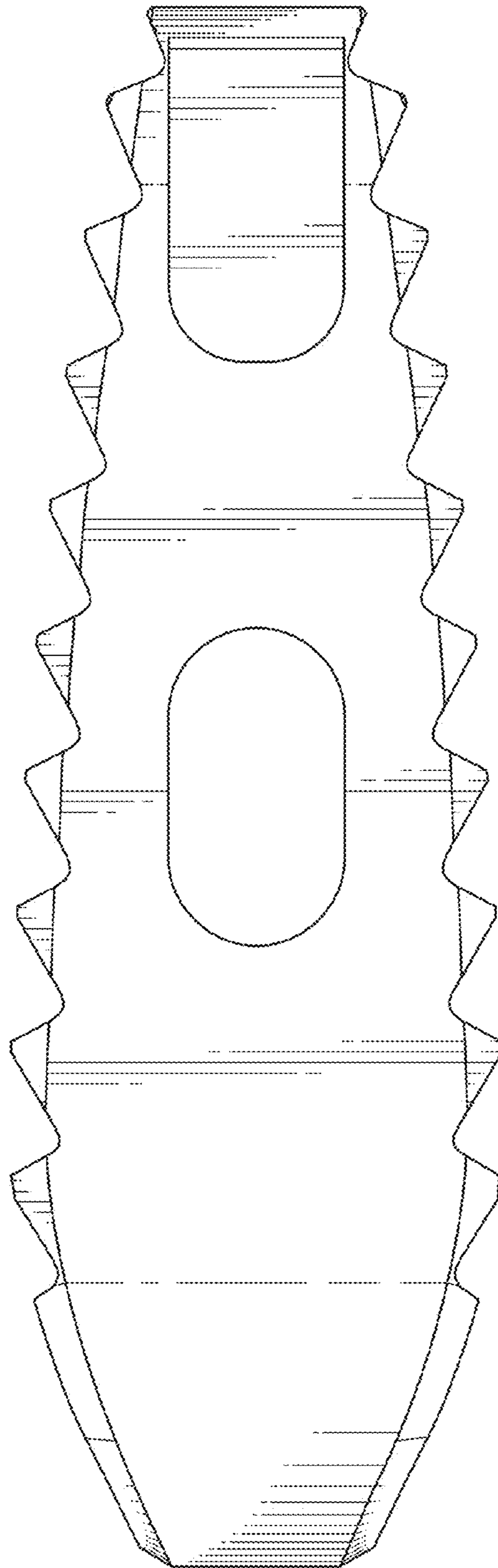


FIG. 4

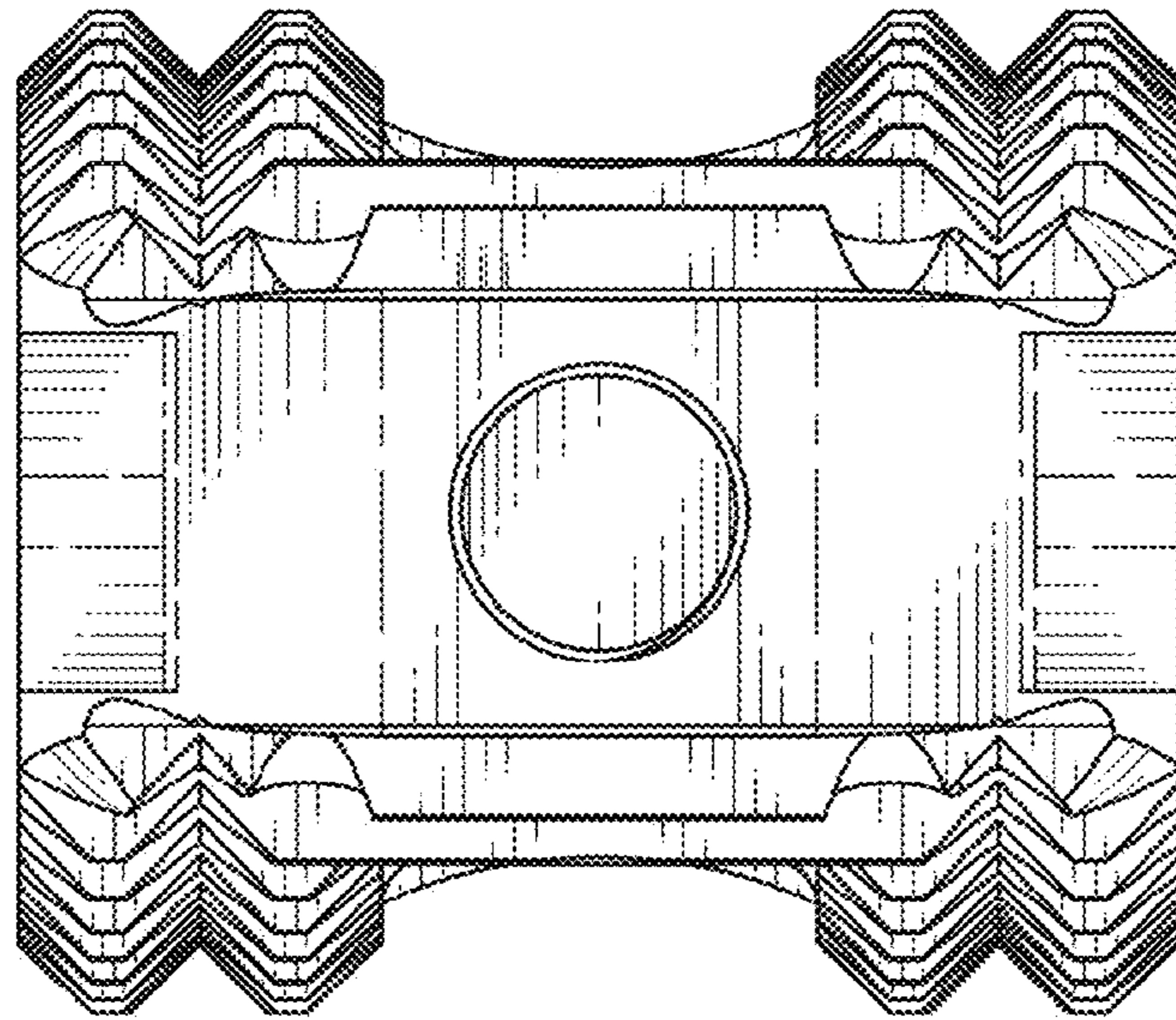


FIG. 5

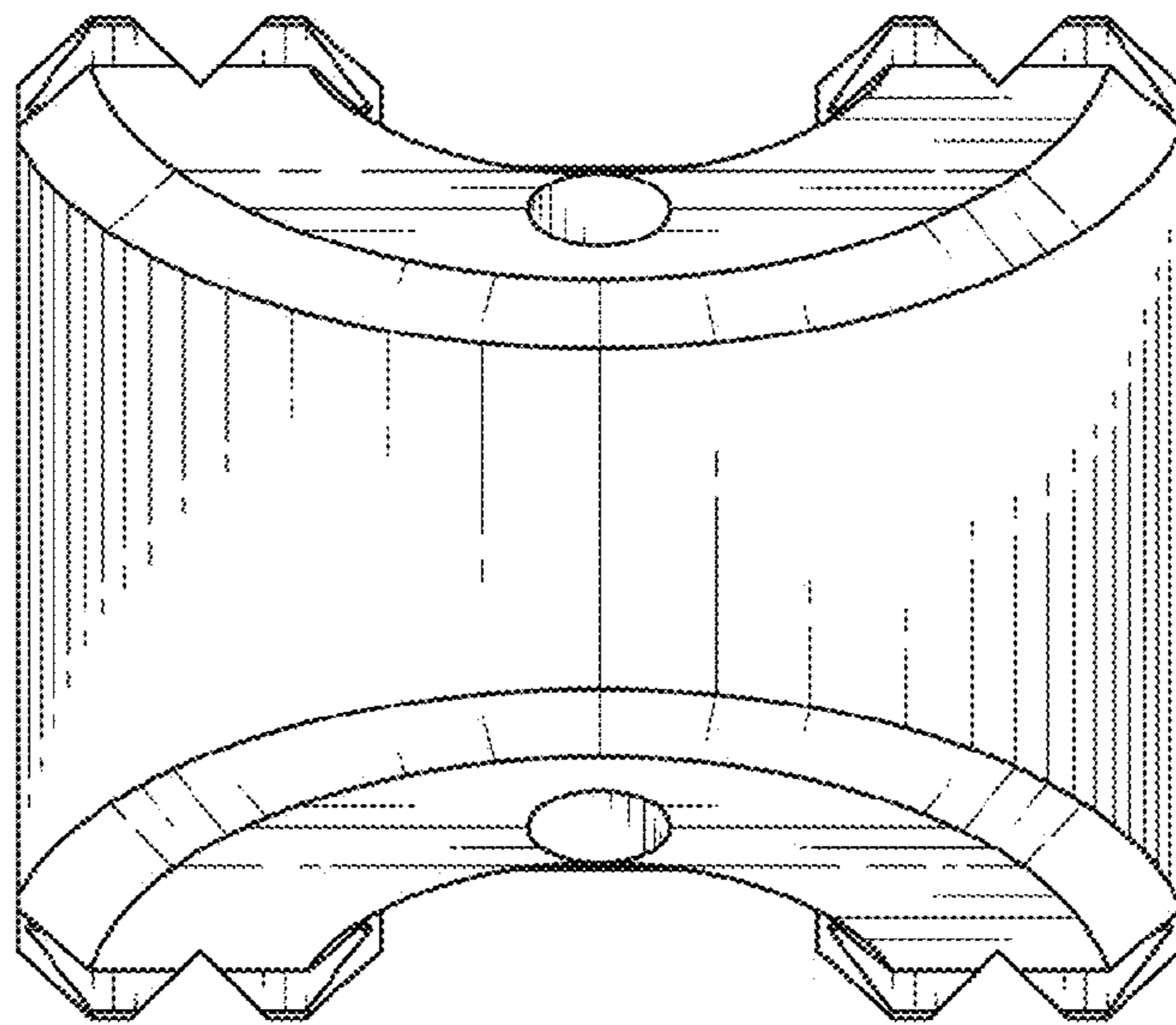


FIG. 6

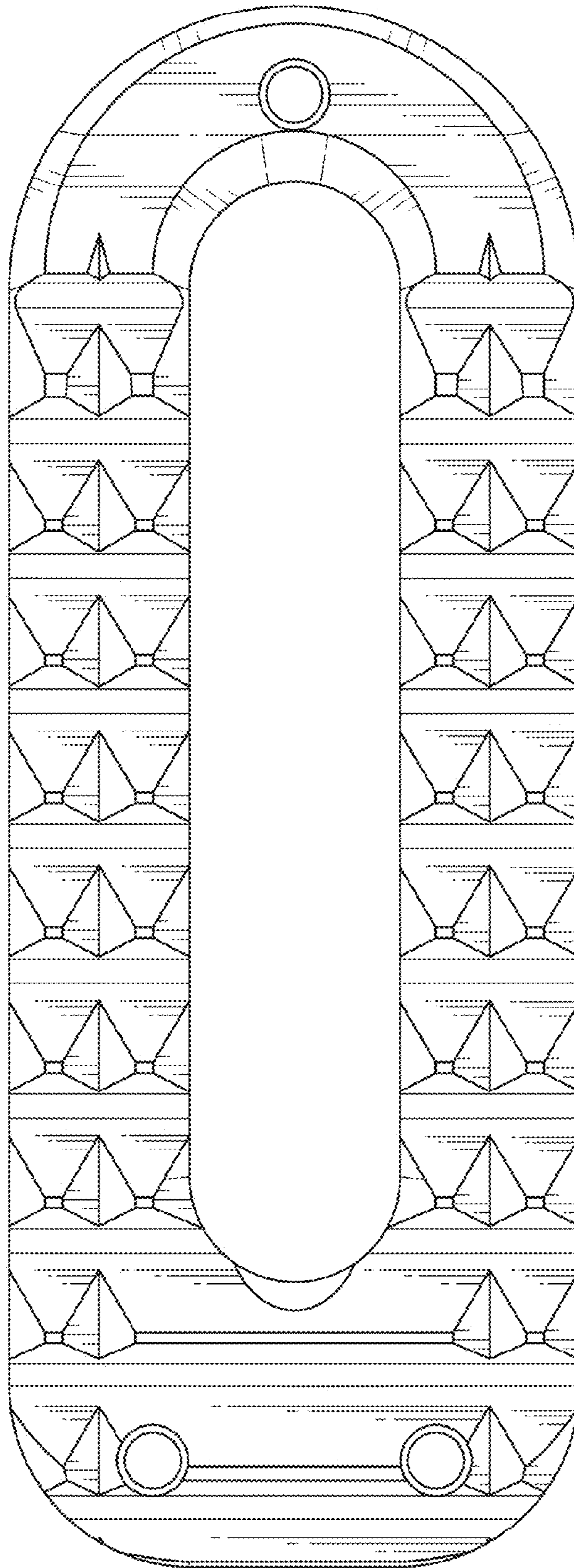


FIG. 7

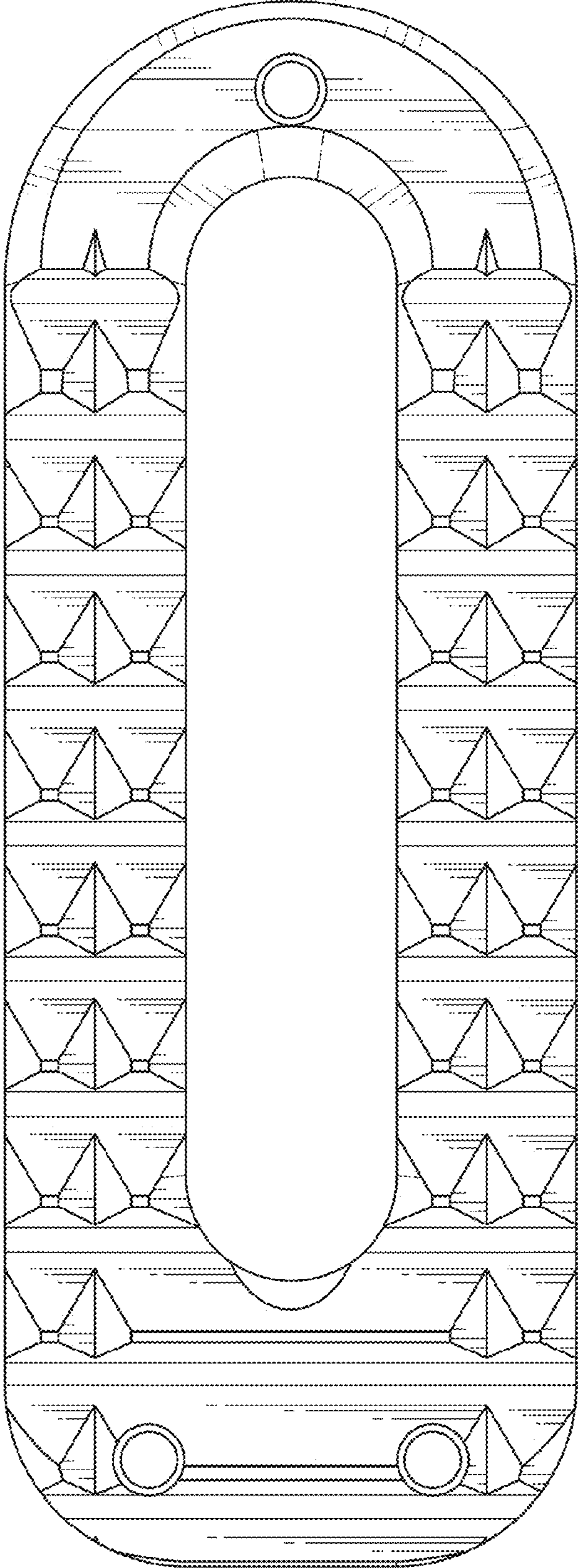


FIG. 8