



US00D724212S

(12) **United States Design Patent**
Butler

(10) **Patent No.:** **US D724,212 S**
(45) **Date of Patent:** **** Mar. 10, 2015**

- (54) **SPINAL INTERBODY DEVICE**
- (71) Applicant: **Life Spine, Inc.**, Hoffman Estates, IL (US)
- (72) Inventor: **Michael S. Butler**, St. Charles, IL (US)
- (73) Assignee: **Life Spine, Inc.**, Huntley, IL (US)
- (**) Term: **14 Years**
- (21) Appl. No.: **29/448,796**
- (22) Filed: **Mar. 13, 2013**

Related U.S. Application Data

- (63) Continuation of application No. 12/209,884, filed on Sep. 12, 2008, now abandoned.
- (51) **LOC (10) Cl.** **24-02**
- (52) **U.S. Cl.**
USPC **D24/155**
- (58) **Field of Classification Search**
USPC D24/155, 100, 101; 623/17.15, 17.16, 623/17.12; 424/423; 606/61; D28/8.1
See application file for complete search history.

(56) **References Cited**

U.S. PATENT DOCUMENTS

- D269,715 S * 7/1983 Tovey D24/101
- D269,717 S * 7/1983 Tovey D24/101
- D445,955 S * 7/2001 Neergaard D28/8.1
- 6,478,822 B1 * 11/2002 Leroux et al. 623/17.14

- D477,866 S * 7/2003 Dubois et al. D24/101
- 7,001,433 B2 * 2/2006 Songer et al. 623/17.16
- 7,235,102 B2 * 6/2007 Ferree et al. 623/17.12
- 7,393,361 B2 * 7/2008 Zubok et al. 623/17.15
- 7,601,174 B2 * 10/2009 Kelly et al. 623/17.13
- 8,142,808 B2 * 3/2012 Boyan et al. 424/423
- 2005/0273178 A1 * 12/2005 Boyan et al. 623/23.74
- 2006/0247780 A1 11/2006 Bert
- 2007/0100450 A1 5/2007 Hodorek
- 2007/0168038 A1 7/2007 Trieu
- 2008/0133013 A1 * 6/2008 Duggal et al. 623/17.16

* cited by examiner

Primary Examiner — Ian Simmons

Assistant Examiner — Charles Hanson

(74) *Attorney, Agent, or Firm* — Foley & Lardner LLP

(57) **CLAIM**

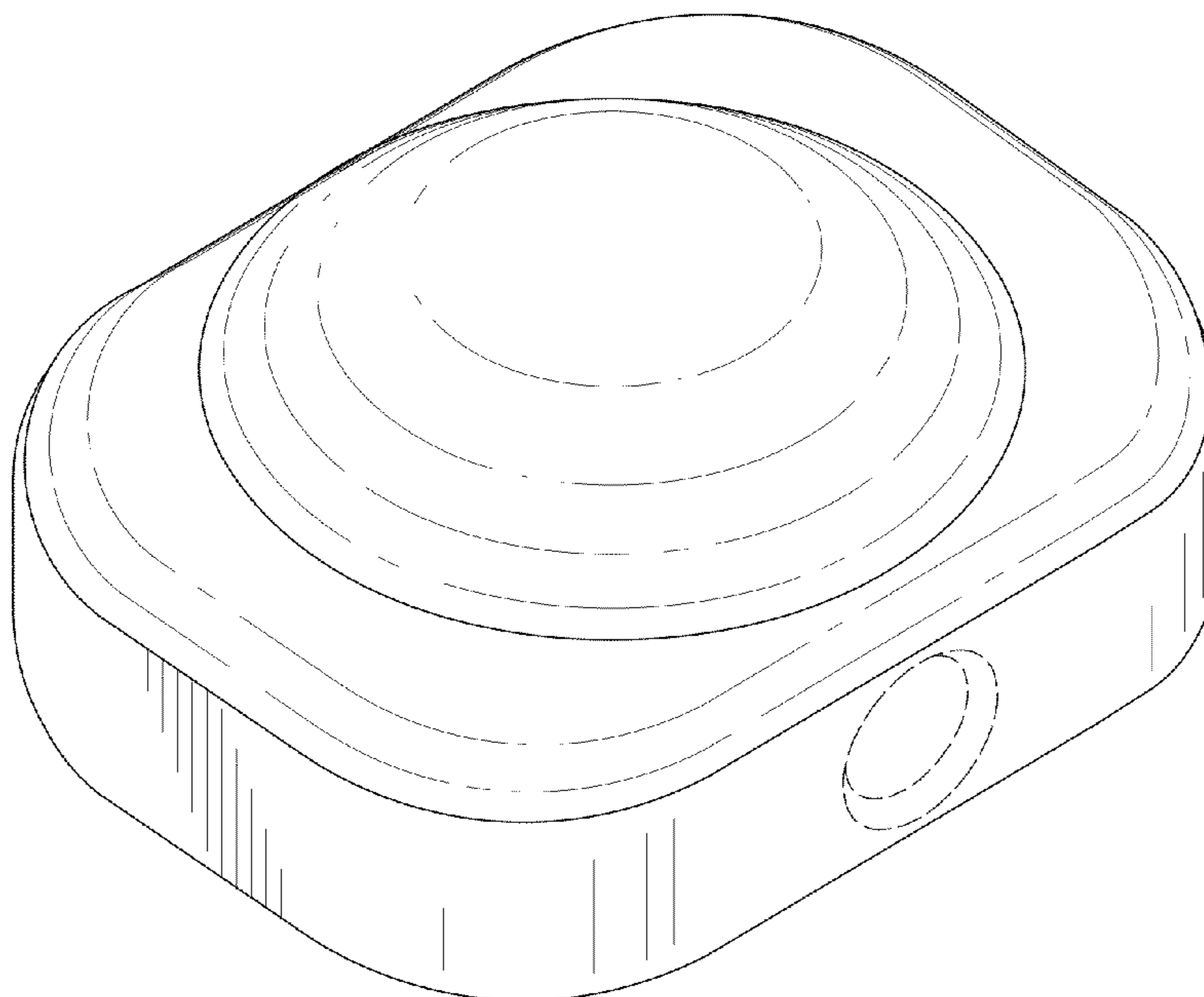
We claim the ornamental design for a spinal interbody device, as shown and described.

DESCRIPTION

- FIG. 1 is a perspective view of the claimed design;
- FIG. 2 is a top view thereof;
- FIG. 3 is a bottom view thereof;
- FIG. 4 is a front view thereof;
- FIG. 5 is a rear view thereof;
- FIG. 6 is a left side view thereof; and,
- FIG. 7 is a right side view thereof.

The ornamental design which is claimed is shown in solid lines in the drawings. The broken lines in the drawings are for illustrative purposes only and form no part of the claimed design.

1 Claim, 7 Drawing Sheets



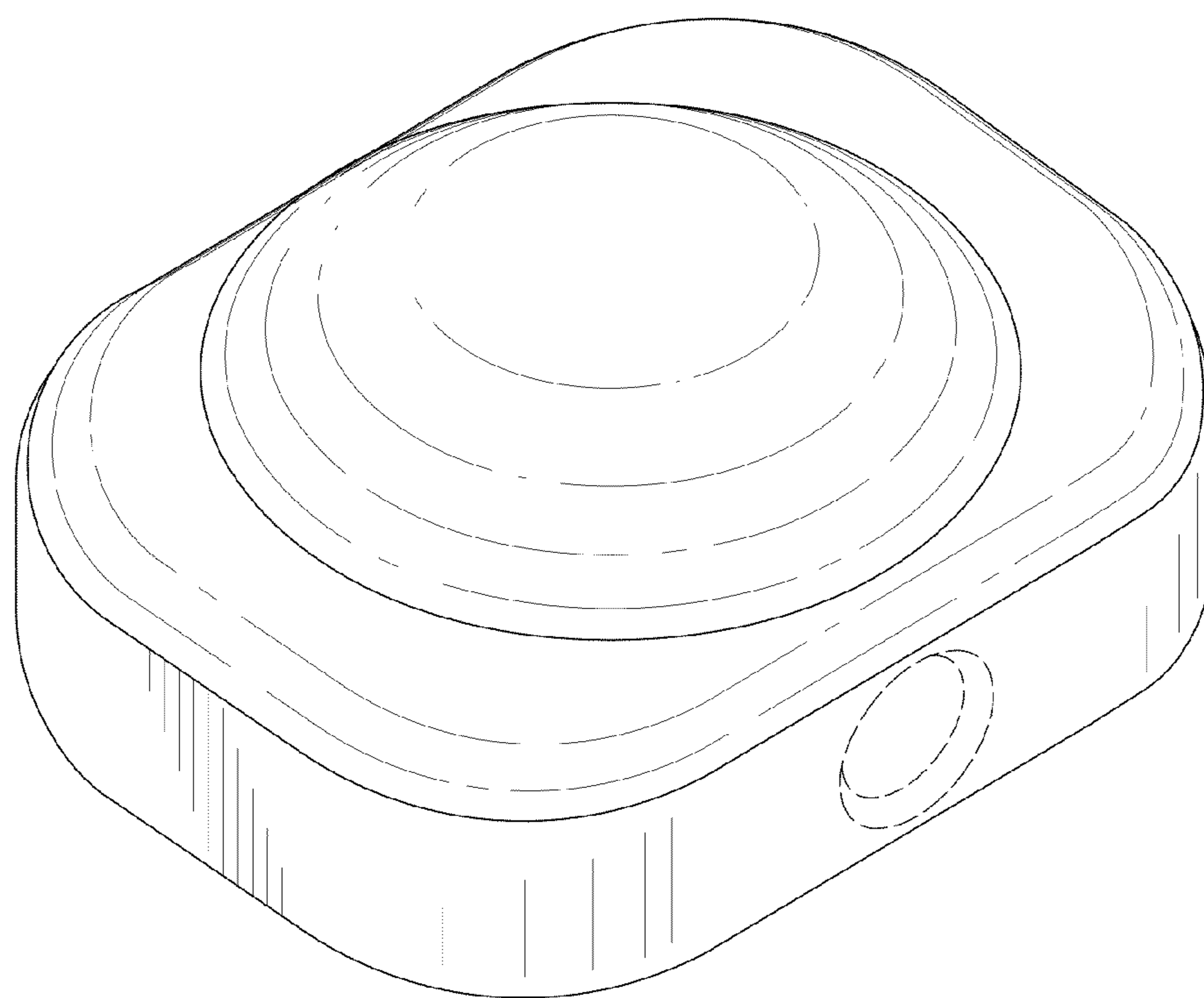


Fig. 1

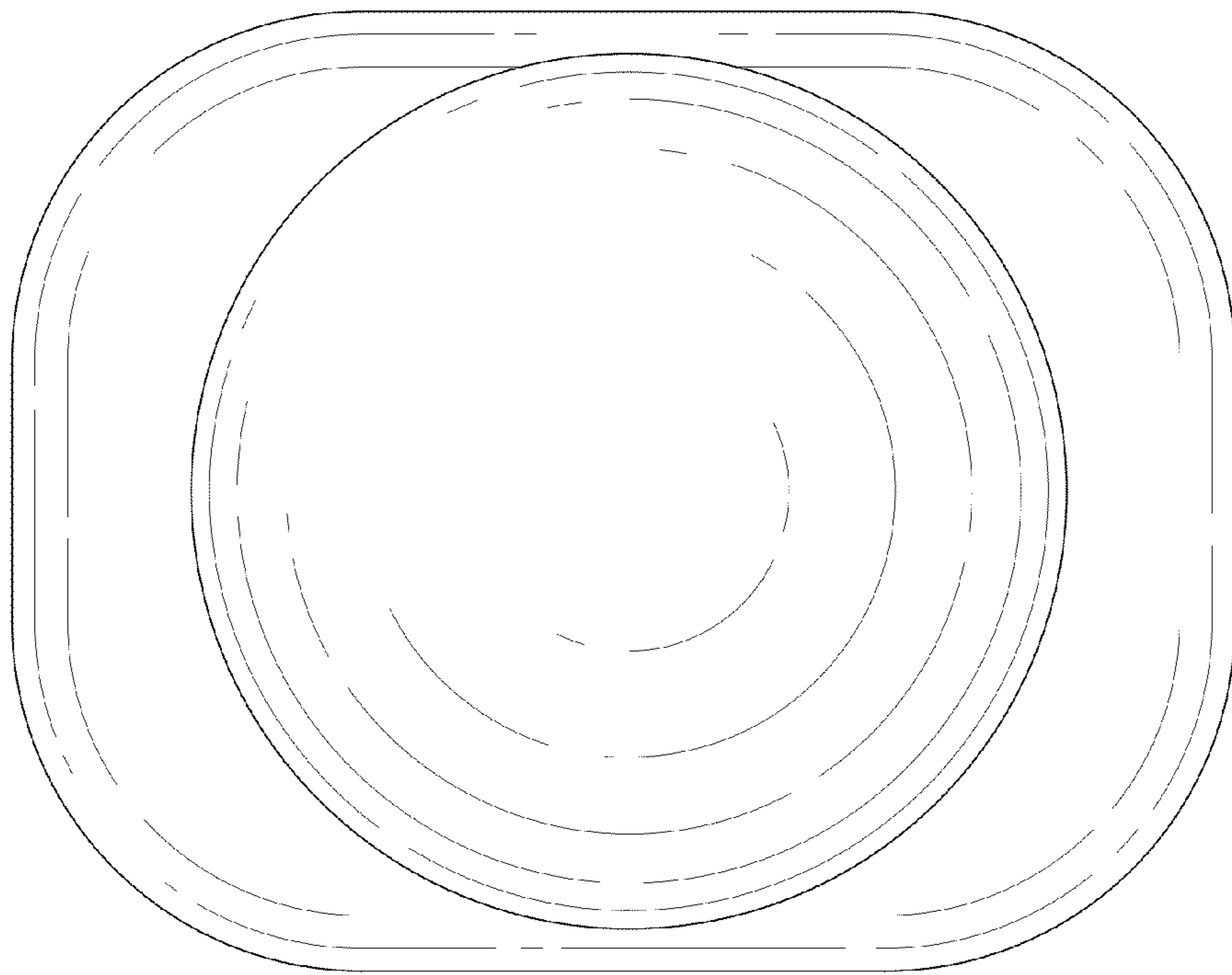


Fig. 2

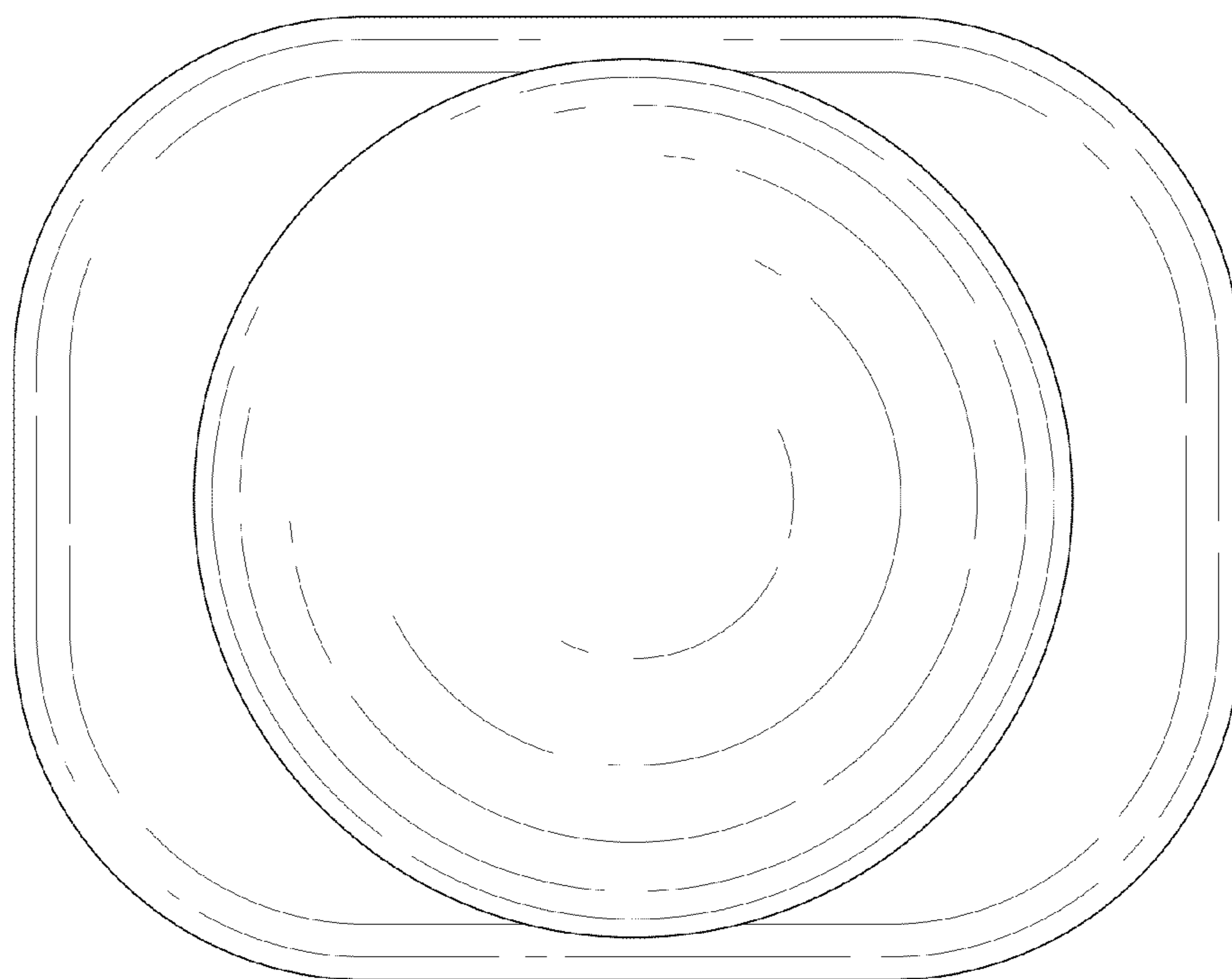


Fig. 3

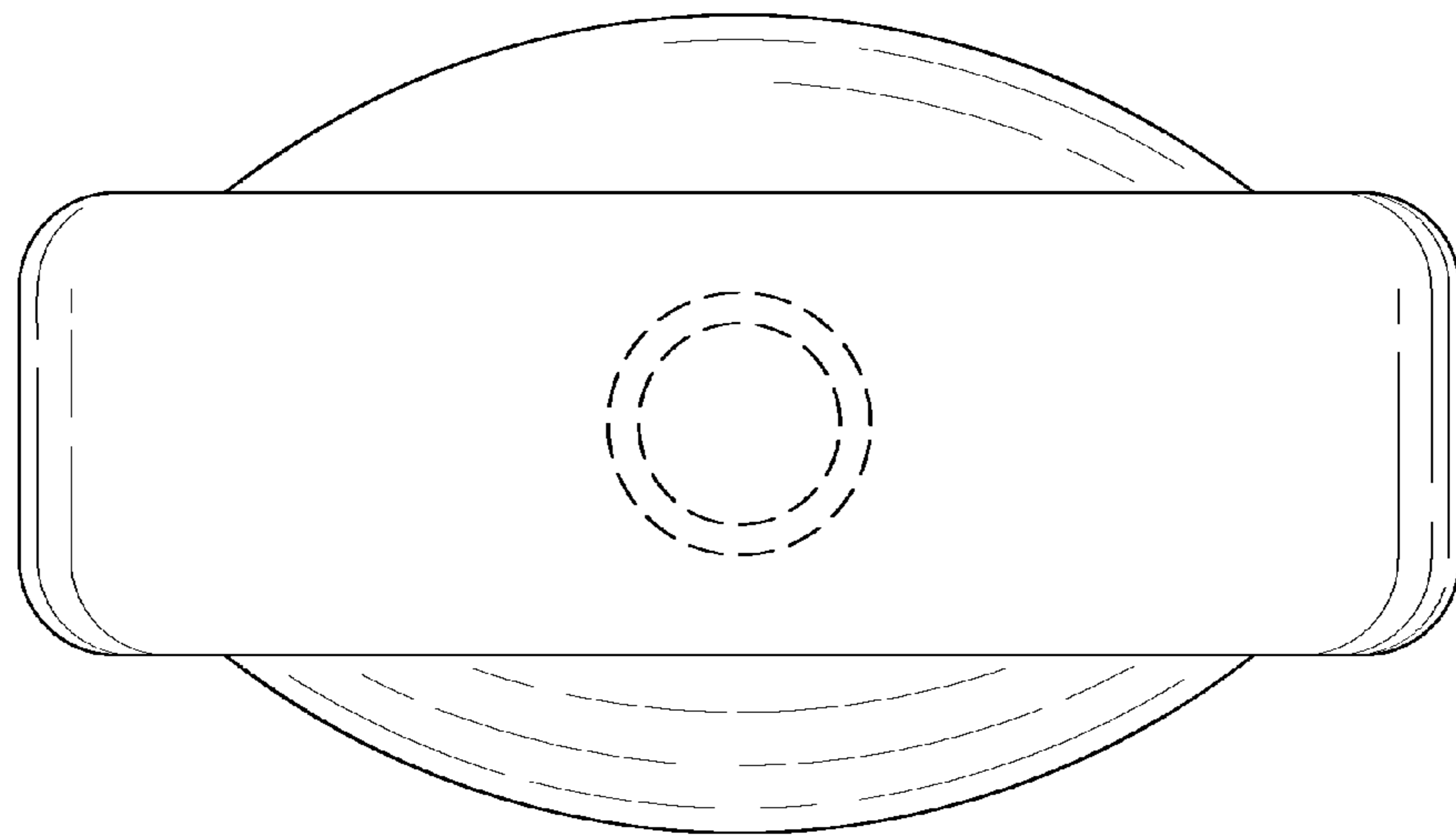


Fig. 4

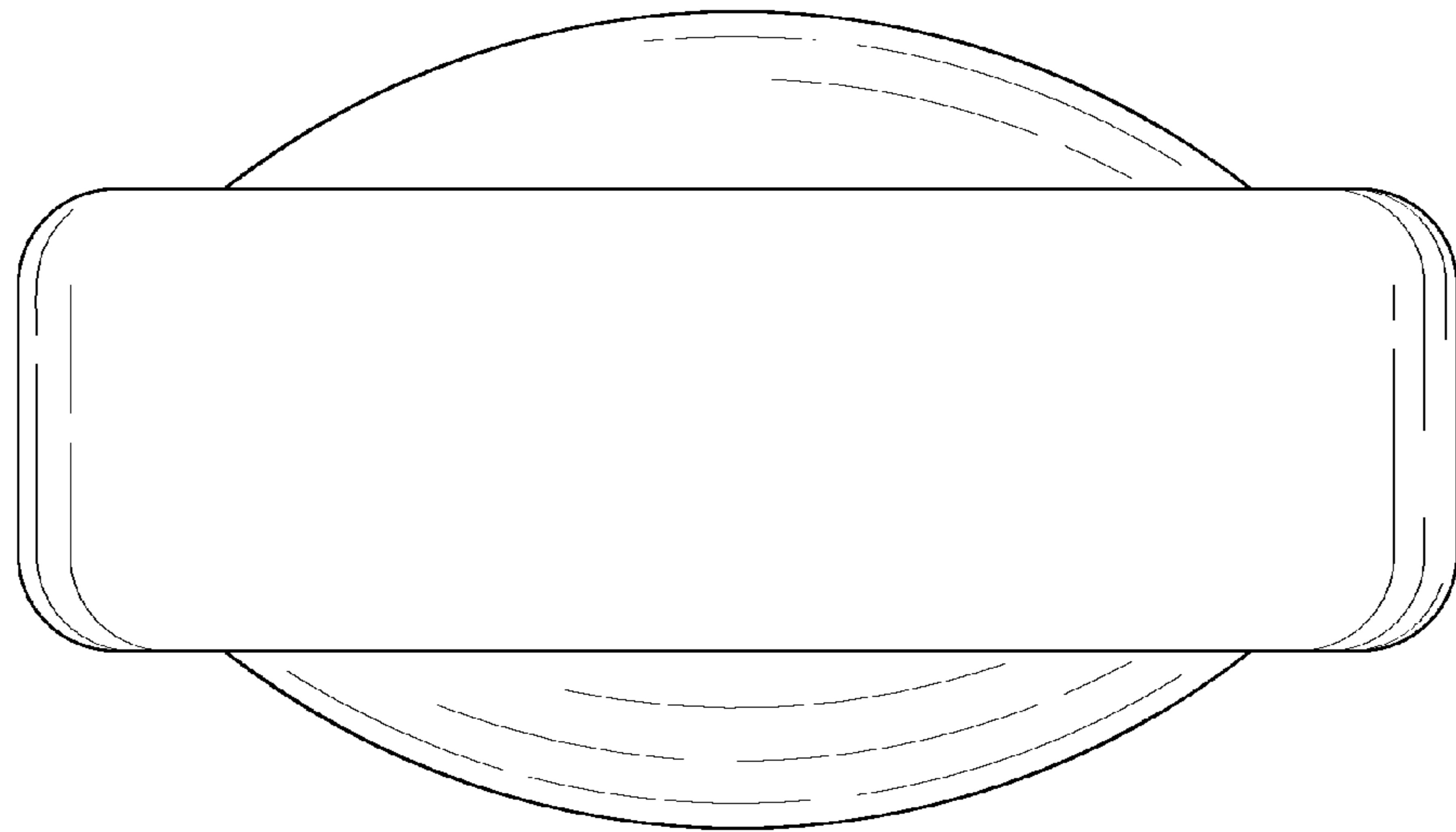


Fig. 5

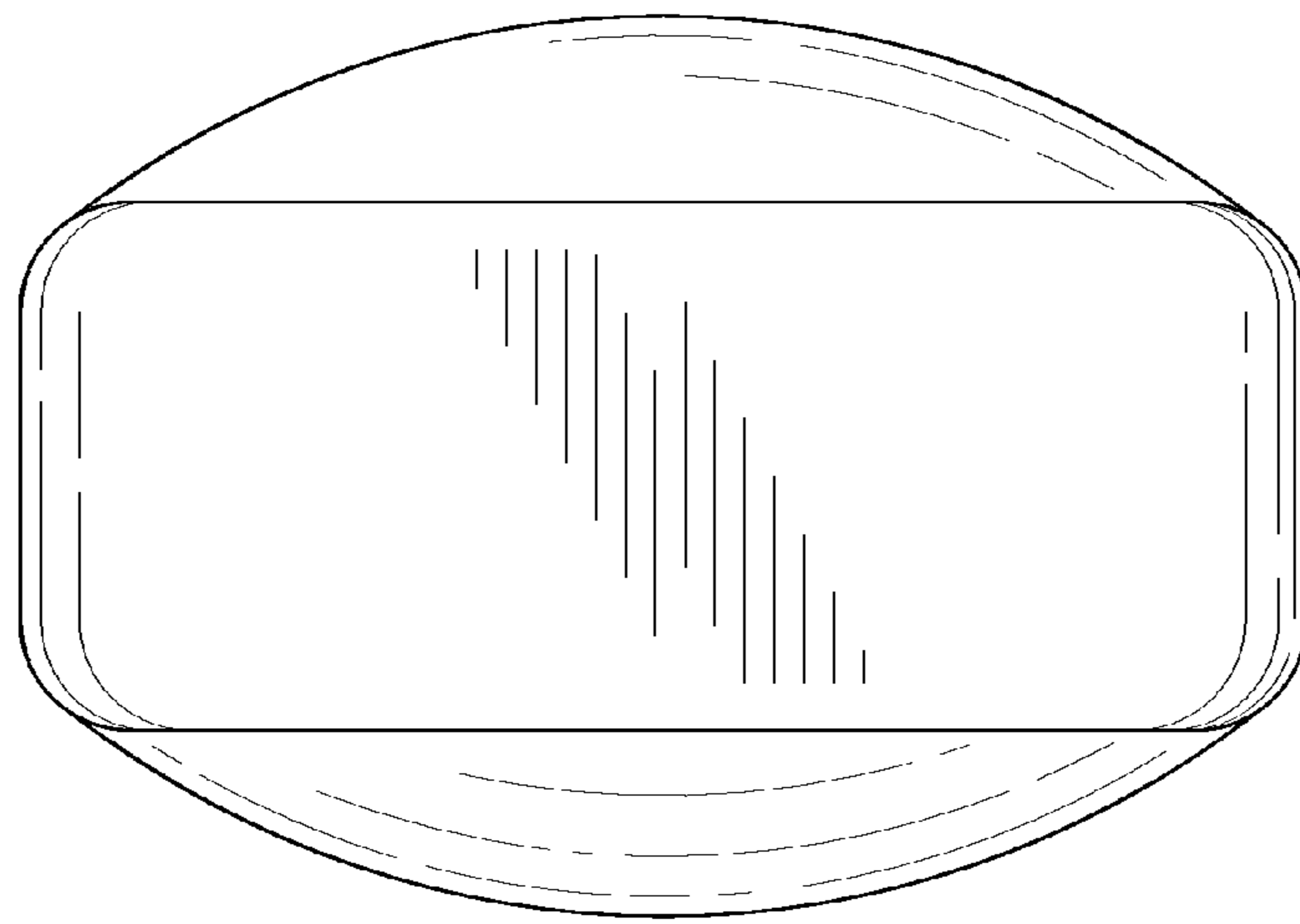


Fig. 6

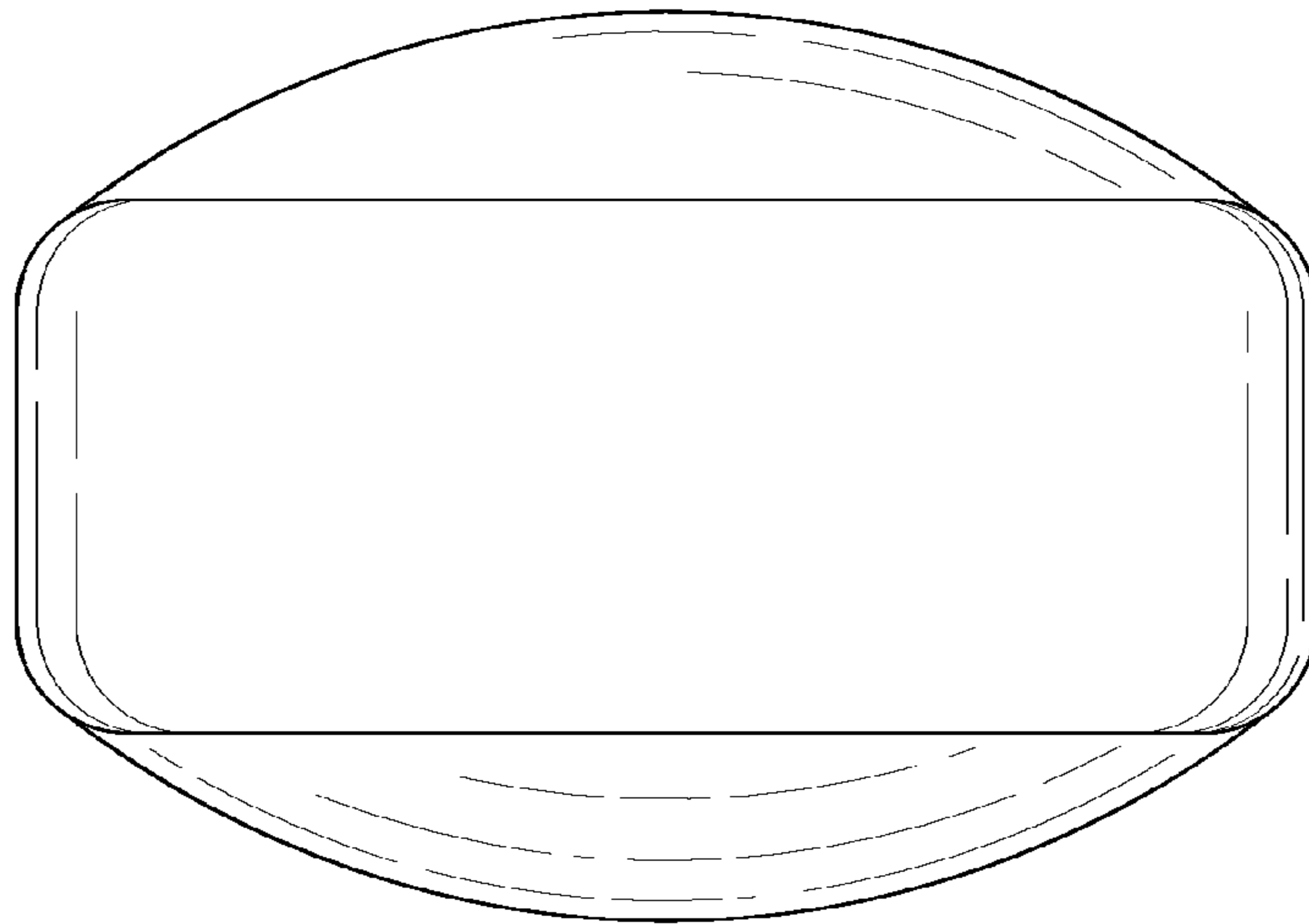


Fig. 7