



US00D724209S

(12) **United States Design Patent**  
**Sun**

(10) **Patent No.:** **US D724,209 S**

(45) **Date of Patent:** **\*\* Mar. 10, 2015**

(54) **WIRELESS ENDOSCOPE CAMERA**

(71) Applicant: **YingJie Sun**, Shenzhen (CN)

(72) Inventor: **YingJie Sun**, Shenzhen (CN)

(\*\*) Term: **14 Years**

(21) Appl. No.: **29/455,321**

(22) Filed: **May 20, 2013**

(30) **Foreign Application Priority Data**

Mar. 5, 2013 (CN) ..... 2013 3 0055232

(51) **LOC (10) Cl.** ..... **24-02**

(52) **U.S. Cl.**  
USPC ..... **D24/138**

(58) **Field of Classification Search**  
CPC ..... A61B 5/0077; A61B 19/5215; A61B  
19/5223; A61B 19/5225; A61B 1/04; A61B  
1/042  
USPC ..... D24/138, 137, 133  
See application file for complete search history.

(56) **References Cited**

**U.S. PATENT DOCUMENTS**

4,914,521	A *	4/1990	Adair	.....	348/375
D474,276	S *	5/2003	Greise et al.	.....	D16/219
D501,864	S *	2/2005	Greise et al.	.....	D16/219
D533,274	S *	12/2006	Visconti et al.	.....	D24/133
7,520,853	B2 *	4/2009	Amling et al.	.....	600/109
D628,289	S *	11/2010	Romero	.....	D24/133
D628,692	S *	12/2010	Greenhalgh	.....	D24/133

D673,987	S *	1/2013	Mirrer	.....	D16/202
D679,616	S *	4/2013	Sun	.....	D10/78
D683,851	S *	6/2013	Greenhalgh	.....	D24/133
D704,332	S *	5/2014	Casey et al.	.....	D24/133
2005/0267329	A1 *	12/2005	Konstorum et al.	.....	600/112
2007/0276183	A1 *	11/2007	Melder	.....	600/112

\* cited by examiner

*Primary Examiner* — Bridget L Eland

(74) *Attorney, Agent, or Firm* — Laurence A. Greenberg;  
Werner H. Stemer; Ralph E. Locher

(57) **CLAIM**

The ornamental design for a wireless endoscope camera, as shown and described.

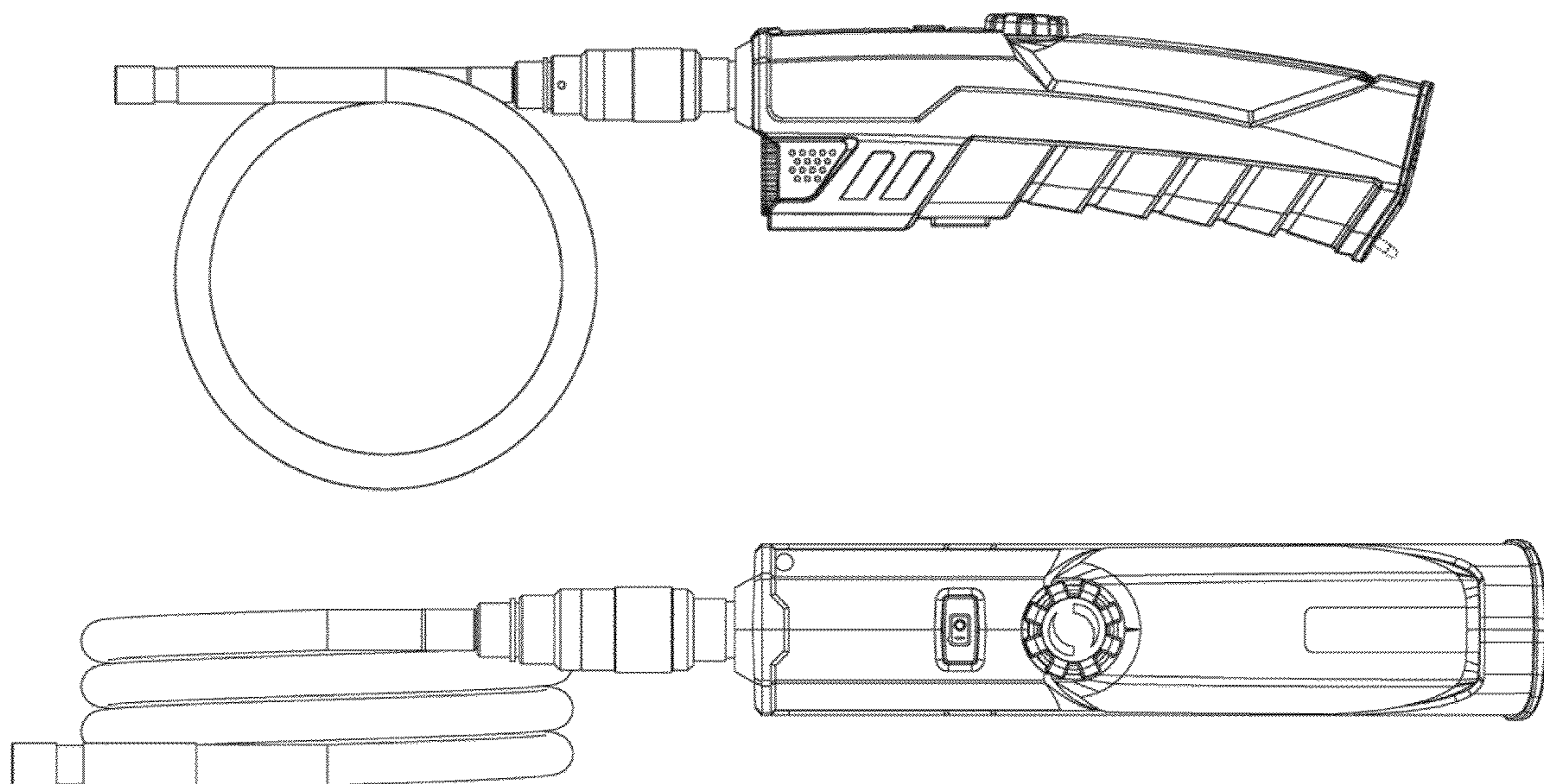
**DESCRIPTION**

FIG. 1 is a perspective view of the wireless endoscope camera, showing my new design;  
FIG. 2 is a front elevation view thereof, showing the camera without the camera tube in order to show aspects of the design that are not otherwise apparent;  
FIG. 3 is a right side elevation view thereof;  
FIG. 4 is a left side elevation view thereof;  
FIG. 5 is a bottom plan view thereof; and,  
FIG. 6 is a top plan view thereof.

The broken lines shown in the views are included for the purpose of illustrating portions of the wireless endoscope camera that form no part of the claimed design.

The wire frame lines shown throughout the views are intended to indicate surface contour and are not intended to be surface ornamentation.

**1 Claim, 6 Drawing Sheets**



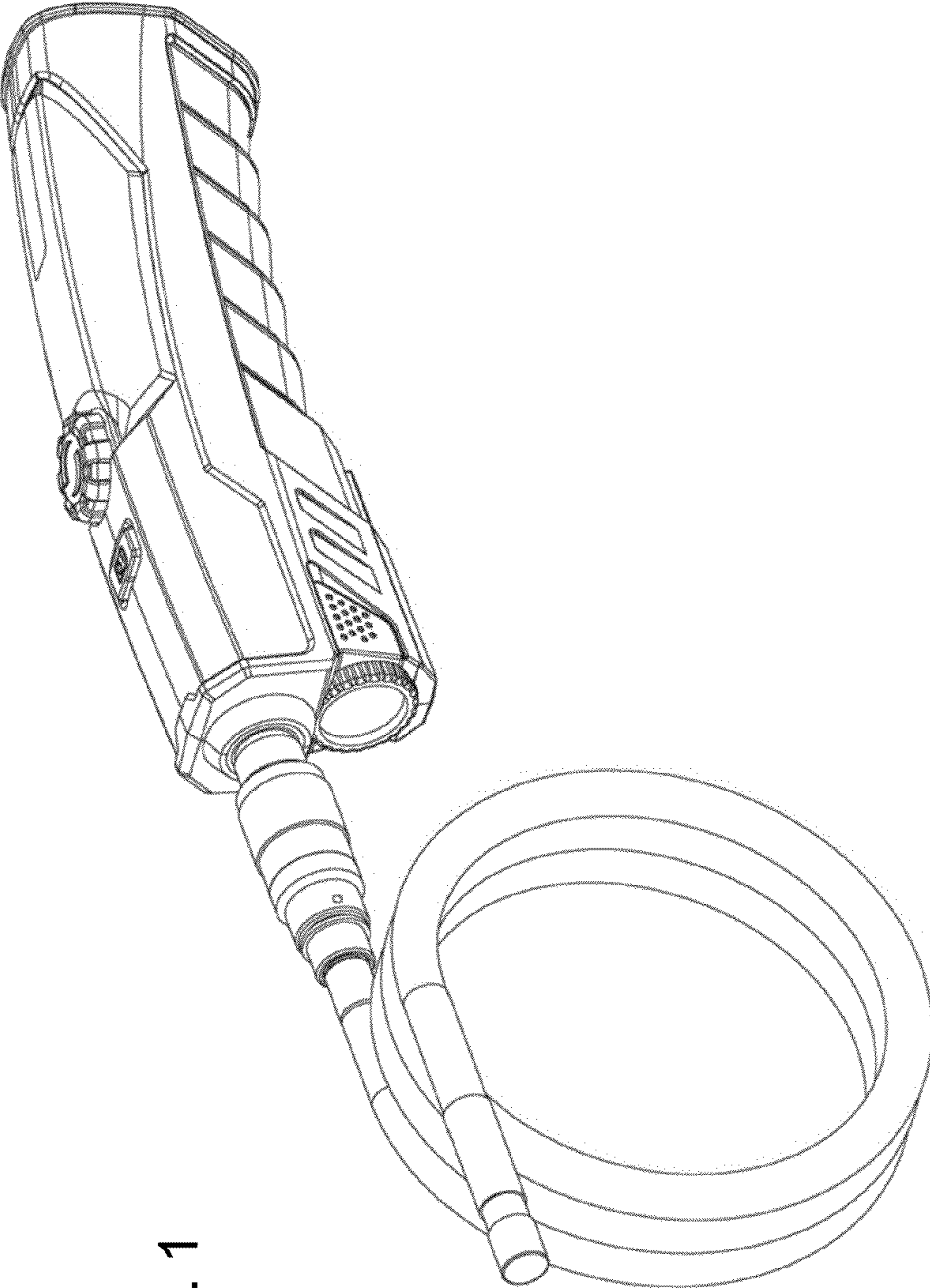


FIG. 1

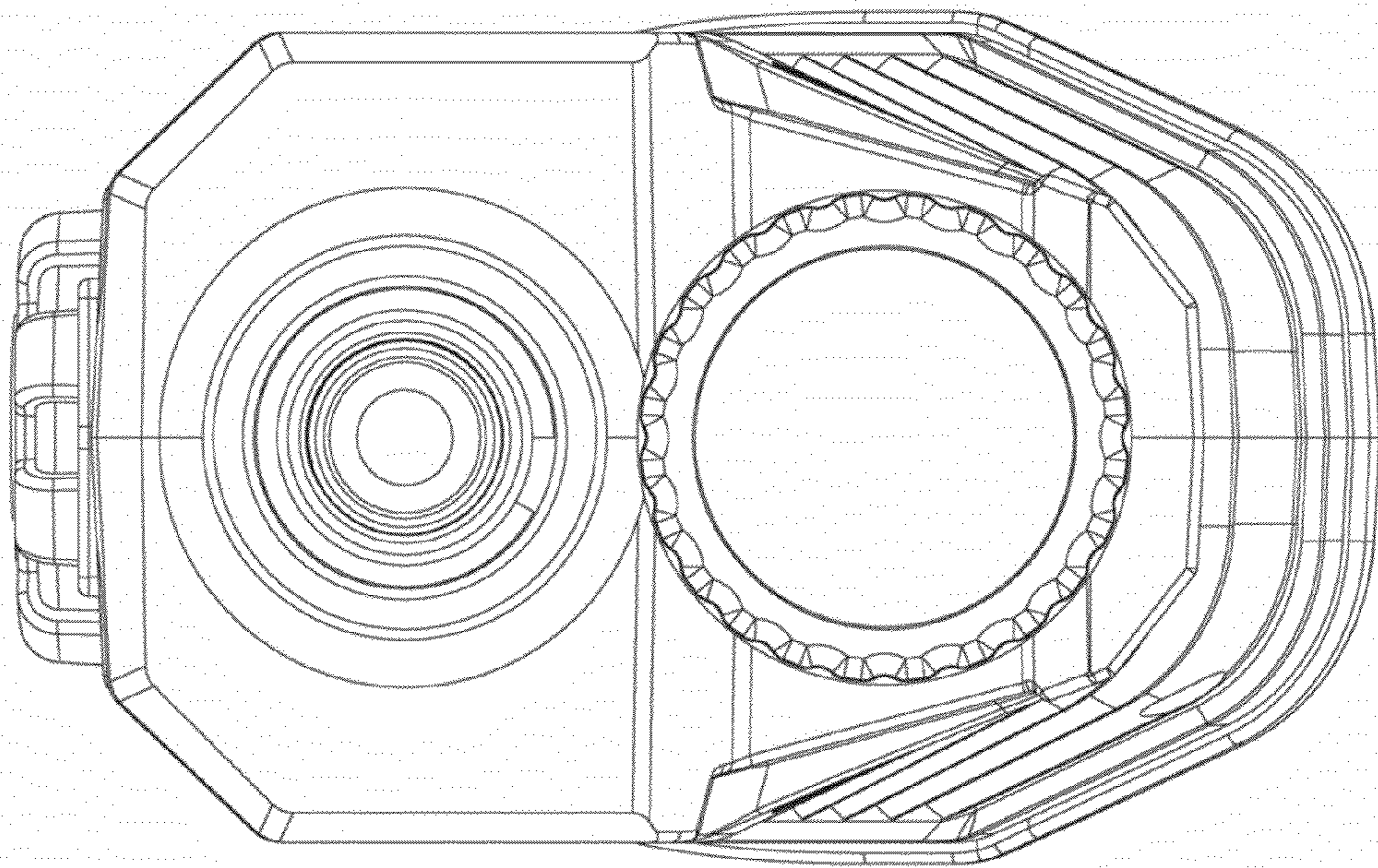


FIG. 2

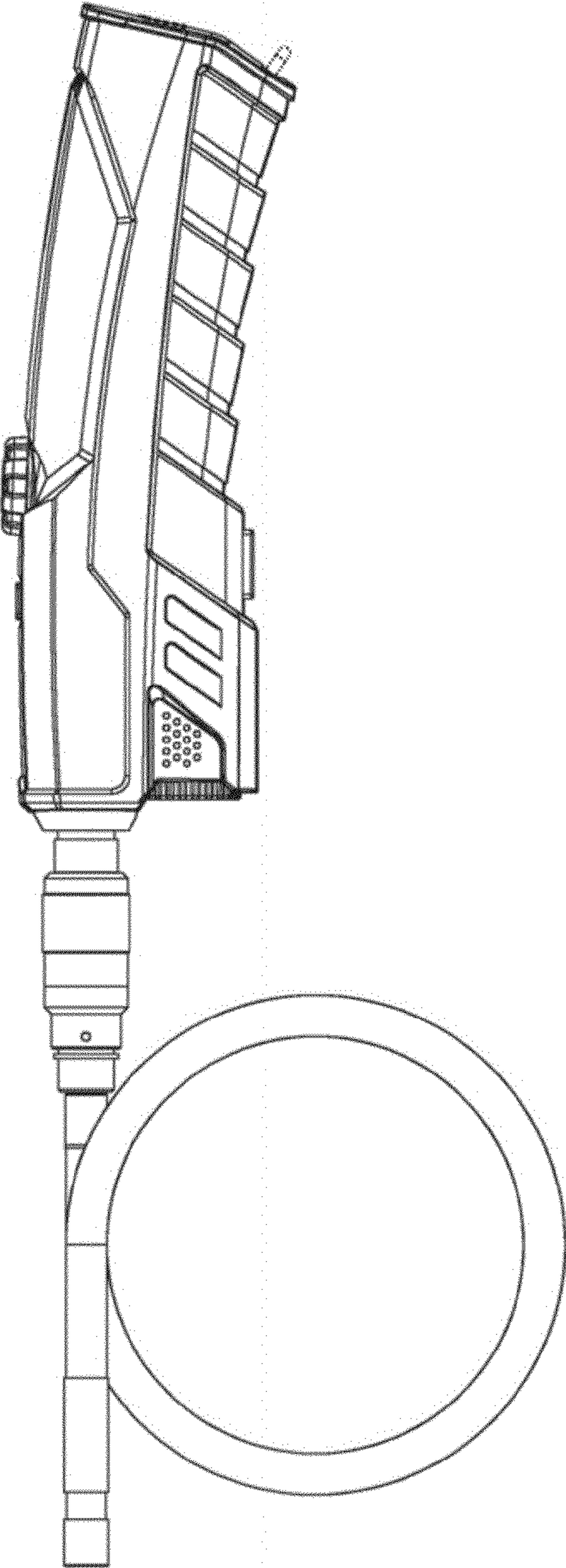


FIG. 3

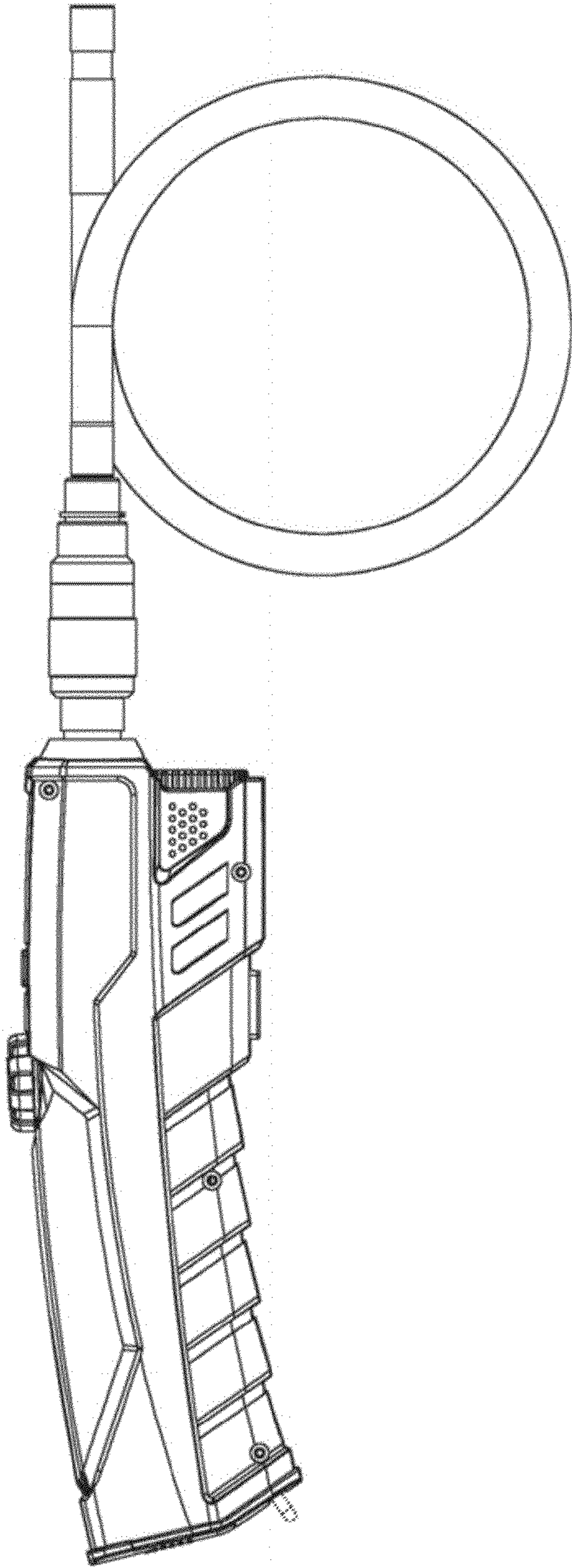


FIG. 4

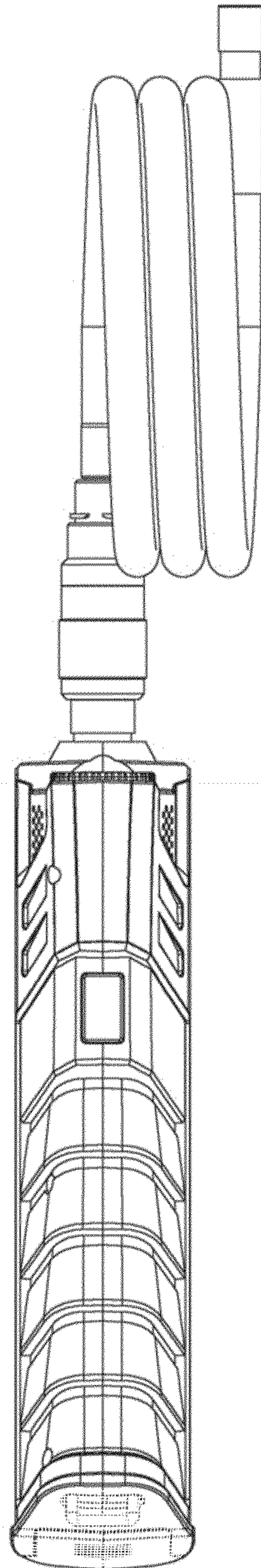


FIG. 5

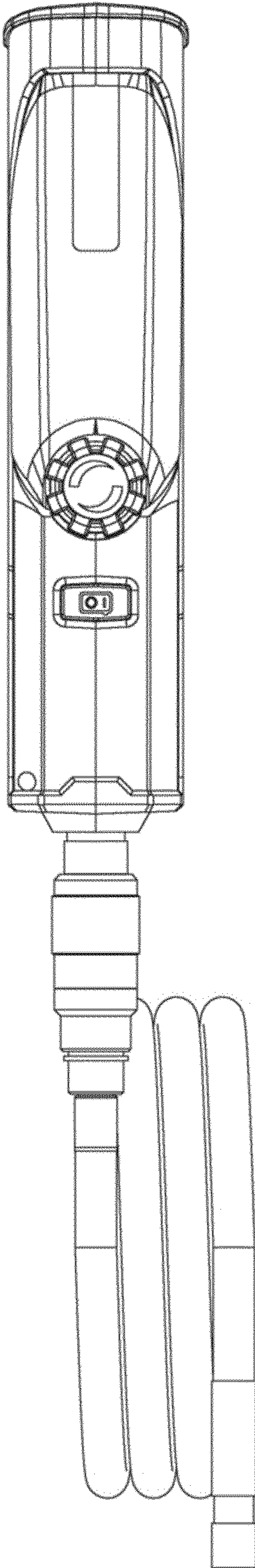


FIG. 6