



US00D724204S

(12) **United States Design Patent**
Shubin, Sr. et al.

(10) **Patent No.:** **US D724,204 S**
(45) **Date of Patent:** **** Mar. 10, 2015**

(54) **BIOLOGICAL FLUID COLLECTION DEVICE**

(71) Applicant: **Steven A. Shubin, Sr.**, Dripping Springs, TX (US)

(72) Inventors: **Steven A. Shubin, Sr.**, Dripping Springs, TX (US); **Steven A. Shubin, Jr.**, Santa Fe, NM (US)

(73) Assignee: **Steven A. Shubin, Sr.**, Dripping Springs, TX (US)

(**) Term: **14 Years**

(21) Appl. No.: **29/457,058**

(22) Filed: **Jun. 6, 2013**

(51) **LOC (10) Cl.** **24-04**

(52) **U.S. Cl.**
USPC **D24/121**

(58) **Field of Classification Search**
CPC B29C 45/2602; A61H 19/00
USPC D24/121-123, 112, 207, 216, 224;
D9/716, 524, 435, 441, 447;
D7/509-511, 309, 305, 900, 538, 539,
D7/321; 600/38

See application file for complete search history.

(56) **References Cited**

U.S. PATENT DOCUMENTS

D309,710 S *	8/1990	Groves	D9/503
D421,222 S *	2/2000	Boyer et al.	D9/447
D433,130 S *	10/2000	Cude et al.	D24/121
D518,377 S *	4/2006	Kortleven	D9/435
D548,075 S *	8/2007	Mavin et al.	D9/435
D597,679 S *	8/2009	Shigesada et al.	D24/216
D617,187 S *	6/2010	Murray	D9/435

D630,044 S *	1/2011	Lane et al.	D7/392.1
D679,181 S *	4/2013	Vogel et al.	D9/443
D692,143 S *	10/2013	shahidi bonjar	D24/176
D705,061 S *	5/2014	Jo et al.	D9/453
D705,062 S *	5/2014	Jo et al.	D9/453
D714,144 S *	9/2014	Vogel et al.	D9/443

* cited by examiner

Primary Examiner — David Muller

Assistant Examiner — Nathan Johnston

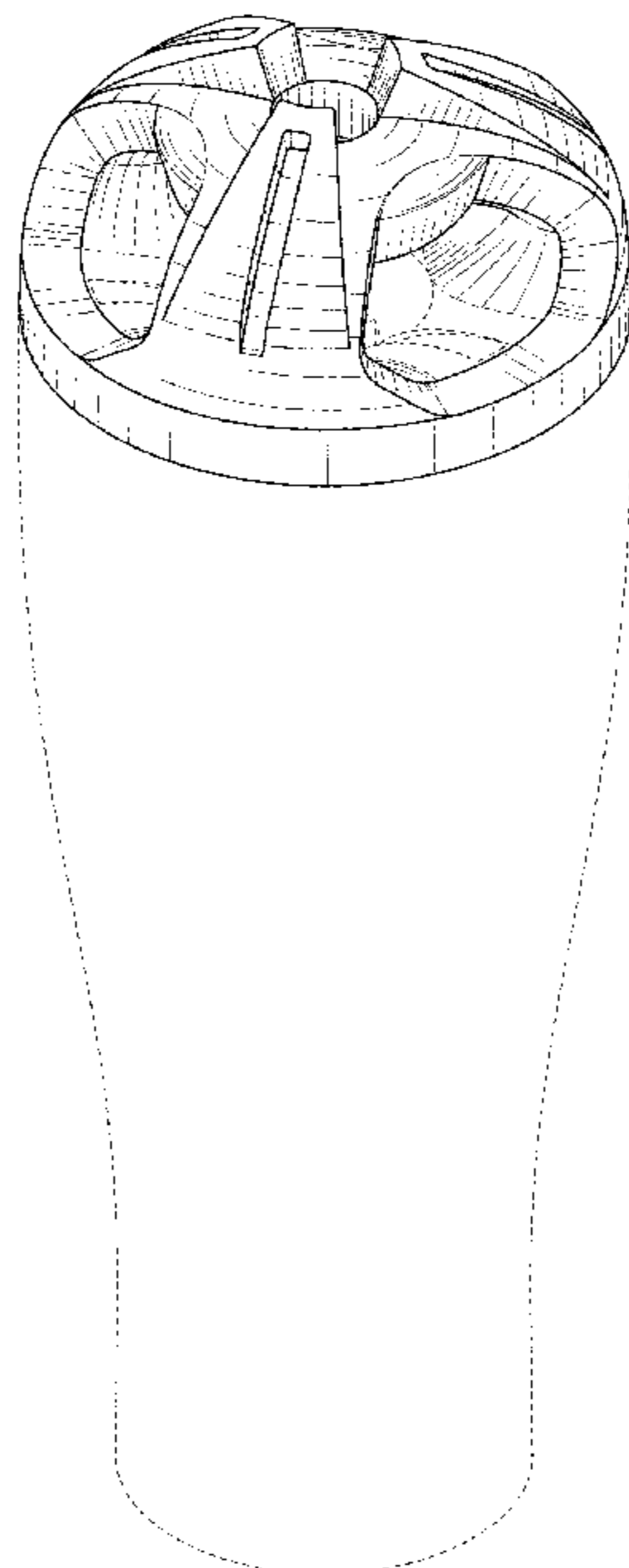
(57) **CLAIM**

The ornamental design for a biological fluid collection device, as shown.

DESCRIPTION

FIG. 1 is a first perspective view of a biological fluid collection device showing our new design;
 FIG. 2 is a second perspective view thereof;
 FIG. 3 is an elevation end view thereof;
 FIG. 4 is a first side elevation view thereof;
 FIG. 5 is a second side elevation view thereof;
 FIG. 6 is a third side elevation view thereof;
 FIG. 7 is a fourth side elevation view thereof;
 FIG. 8 is a third perspective view of the biological fluid collection device;
 FIG. 9 is a cross-sectional elevation view taken substantially along lines 9-9 of FIG. 3;
 FIG. 10 is a cross-sectional elevation view taken substantially along lines 10-10 of FIG. 3; and,
 FIG. 11 is a cross-sectional end-view taken substantially along lines 11-11 of FIG. 3.
 The portion of the biological fluid collection device depicted in broken lines forms no part of the claimed design.

1 Claim, 10 Drawing Sheets



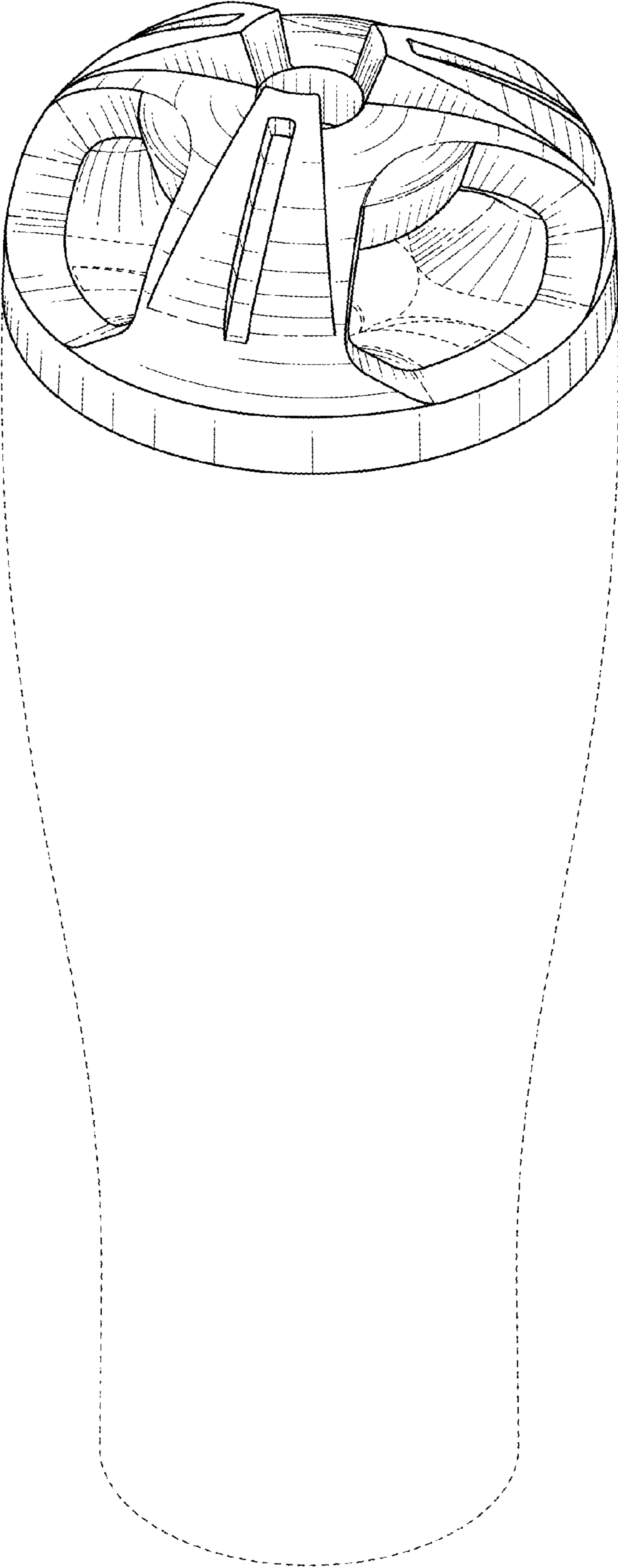


FIG. 1

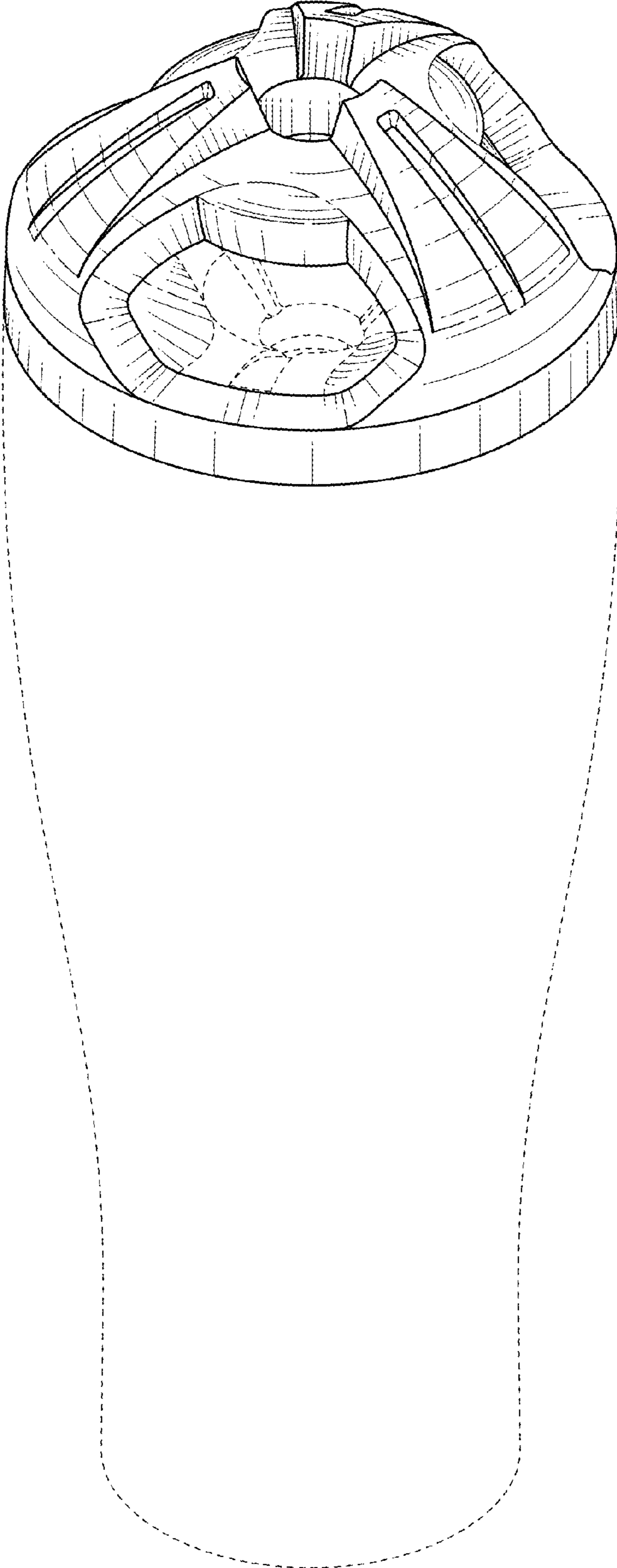


FIG. 2

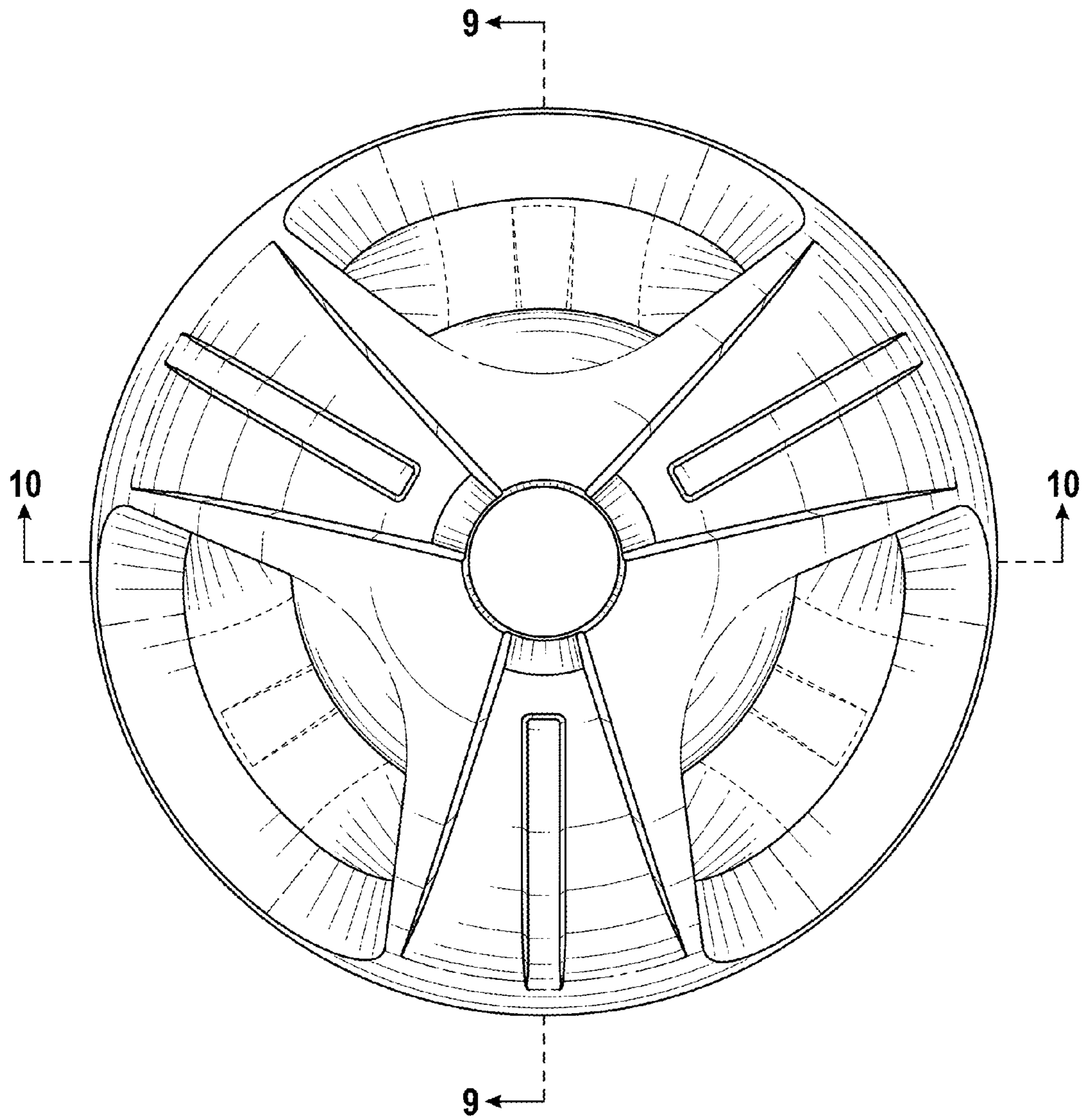


FIG. 3

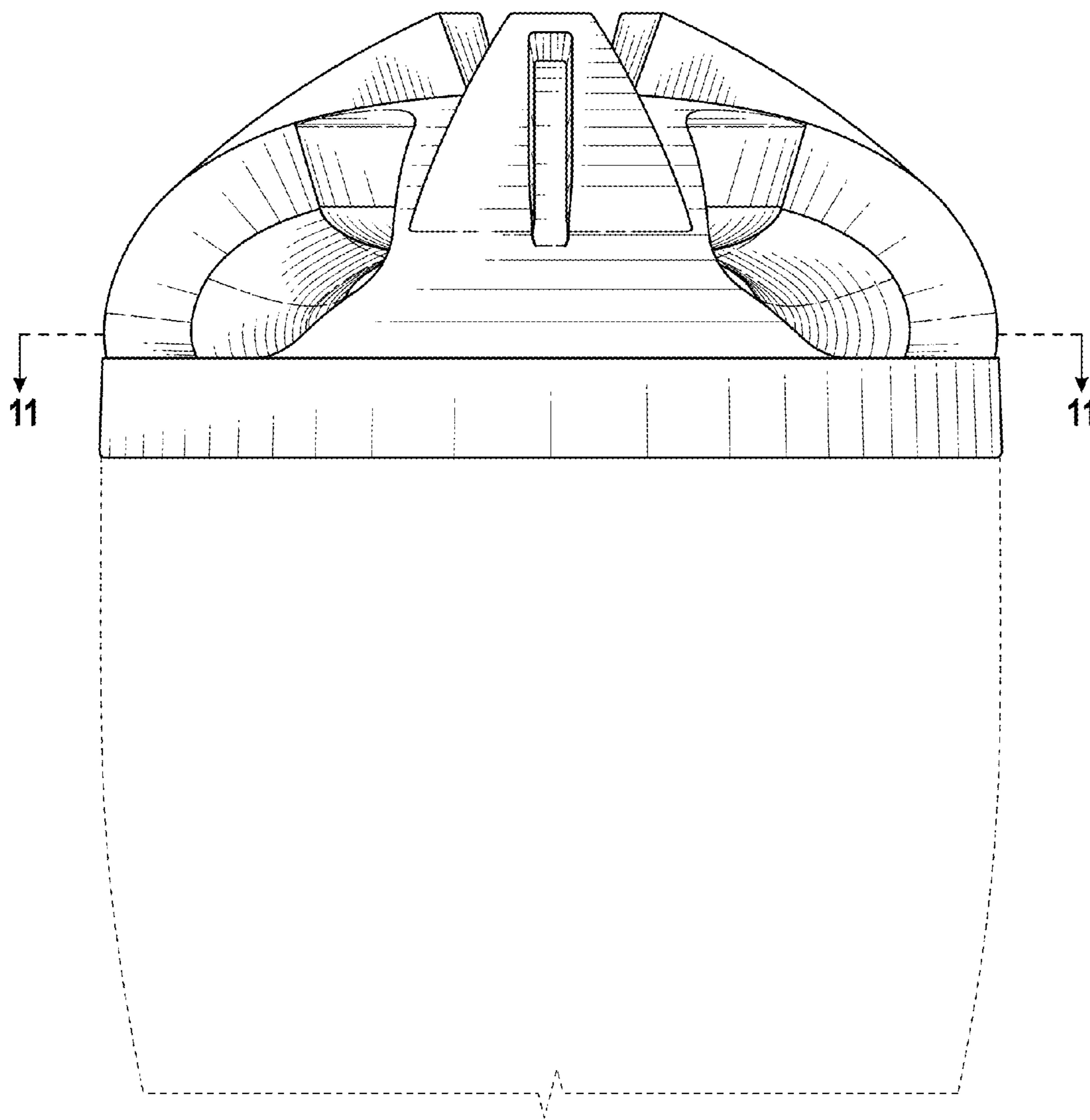


FIG. 4

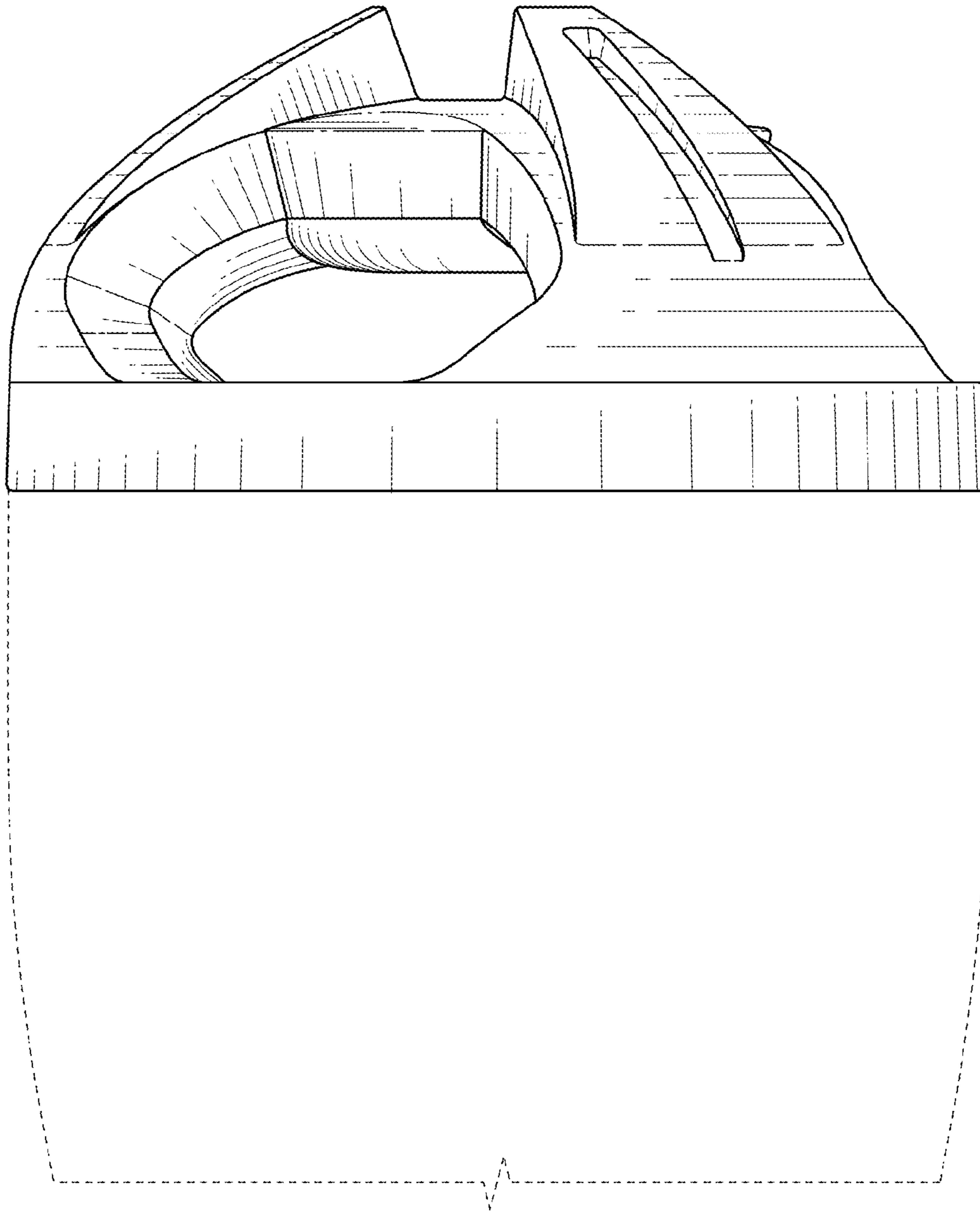


FIG. 5

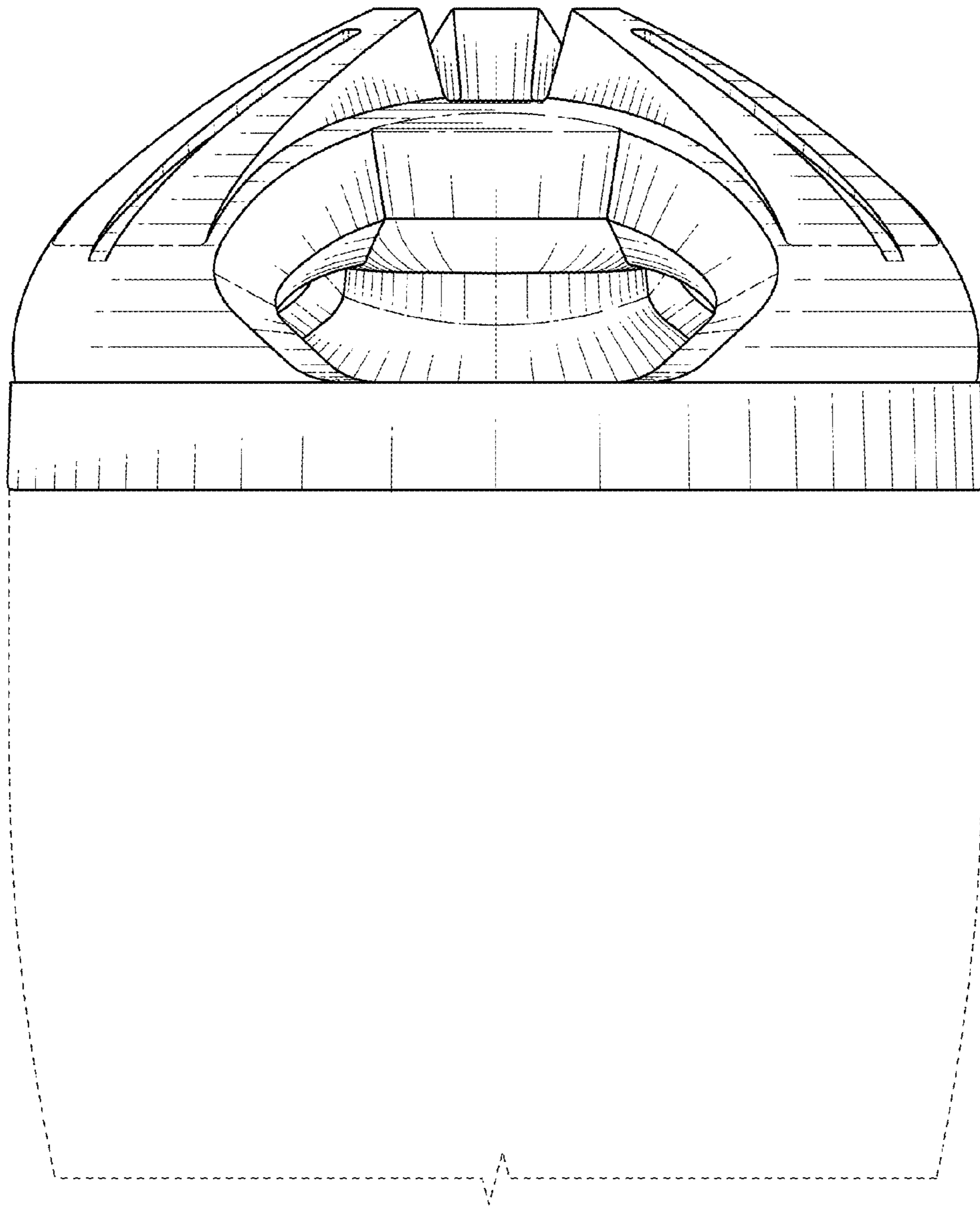


FIG. 6

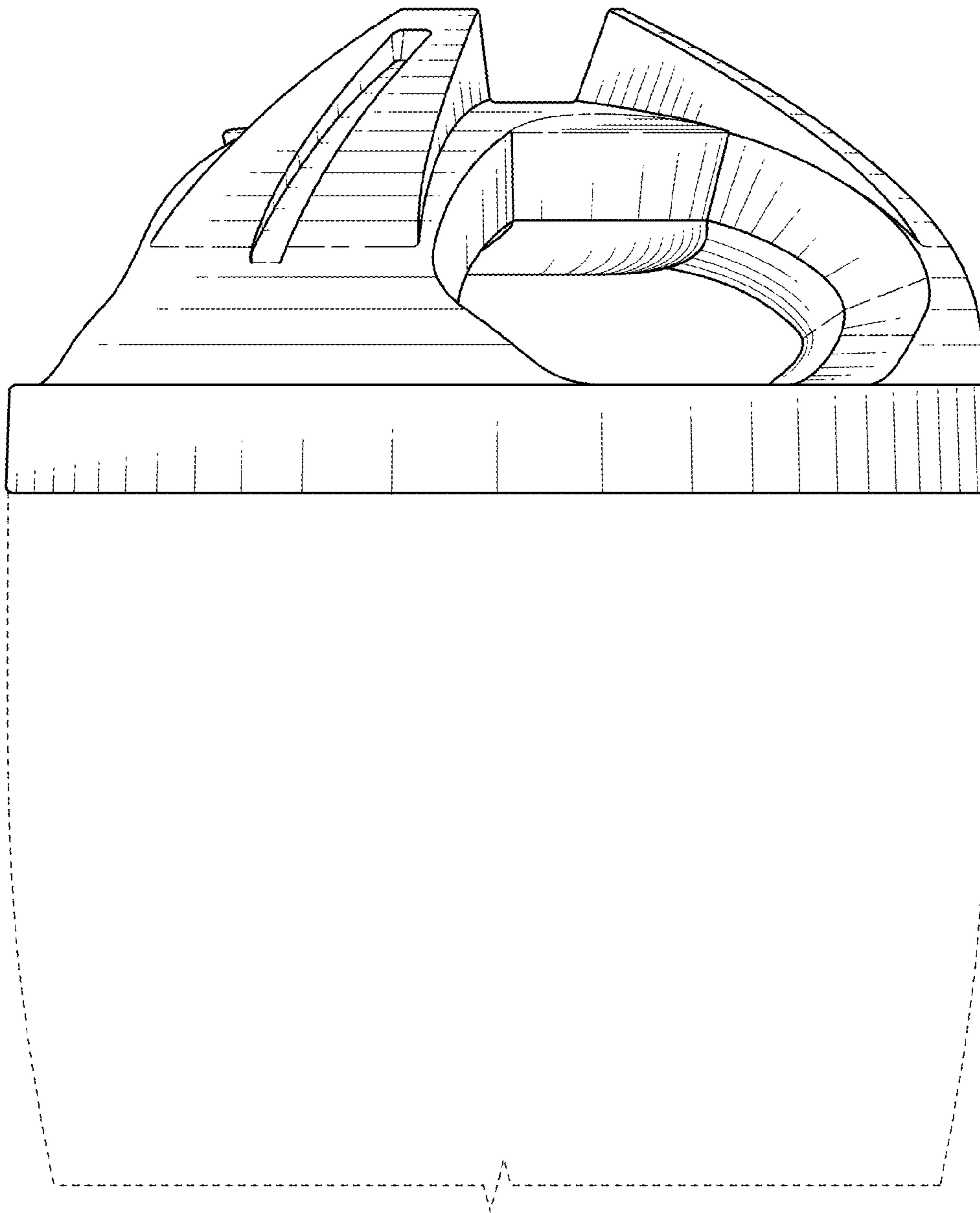


FIG. 7

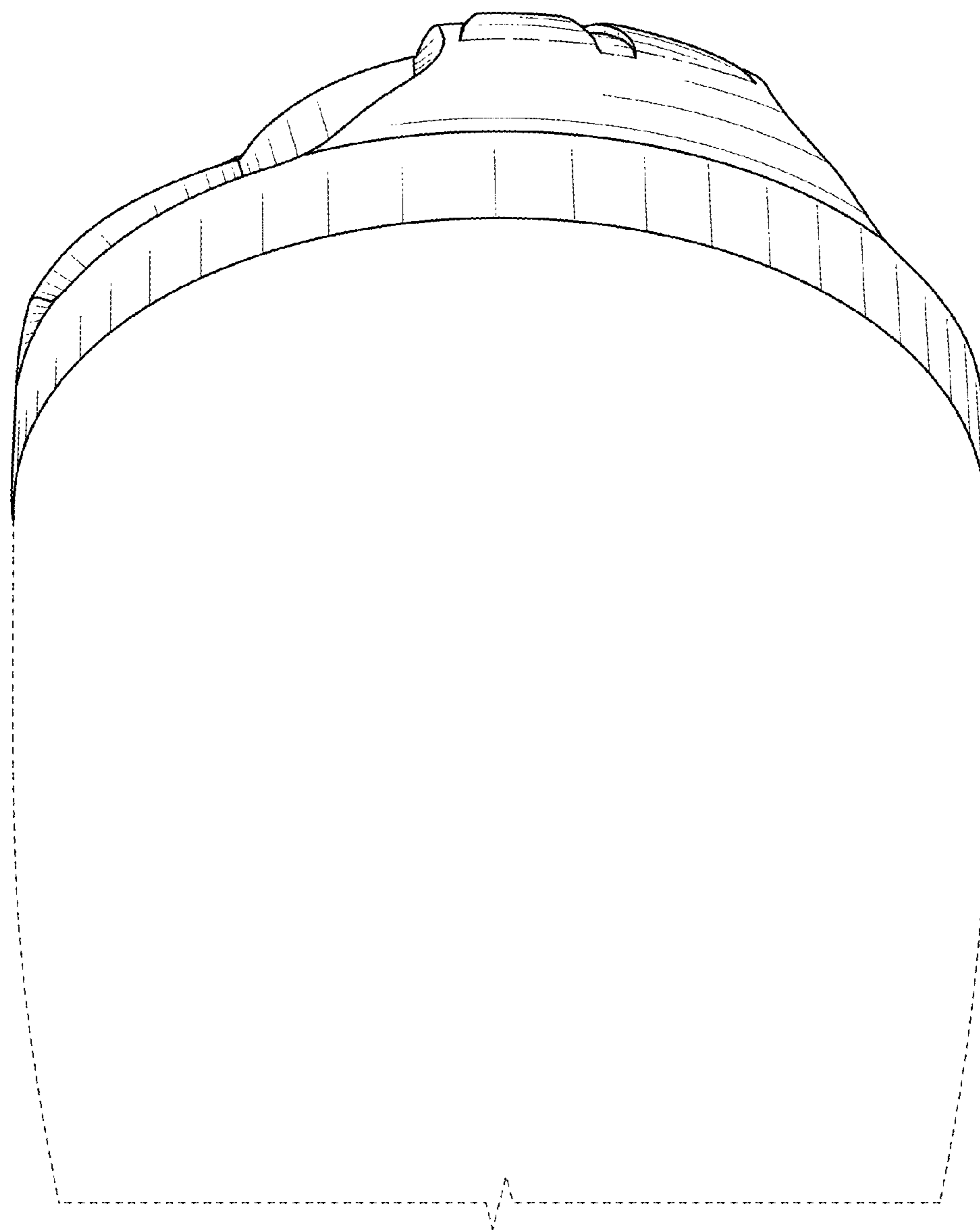


FIG. 8

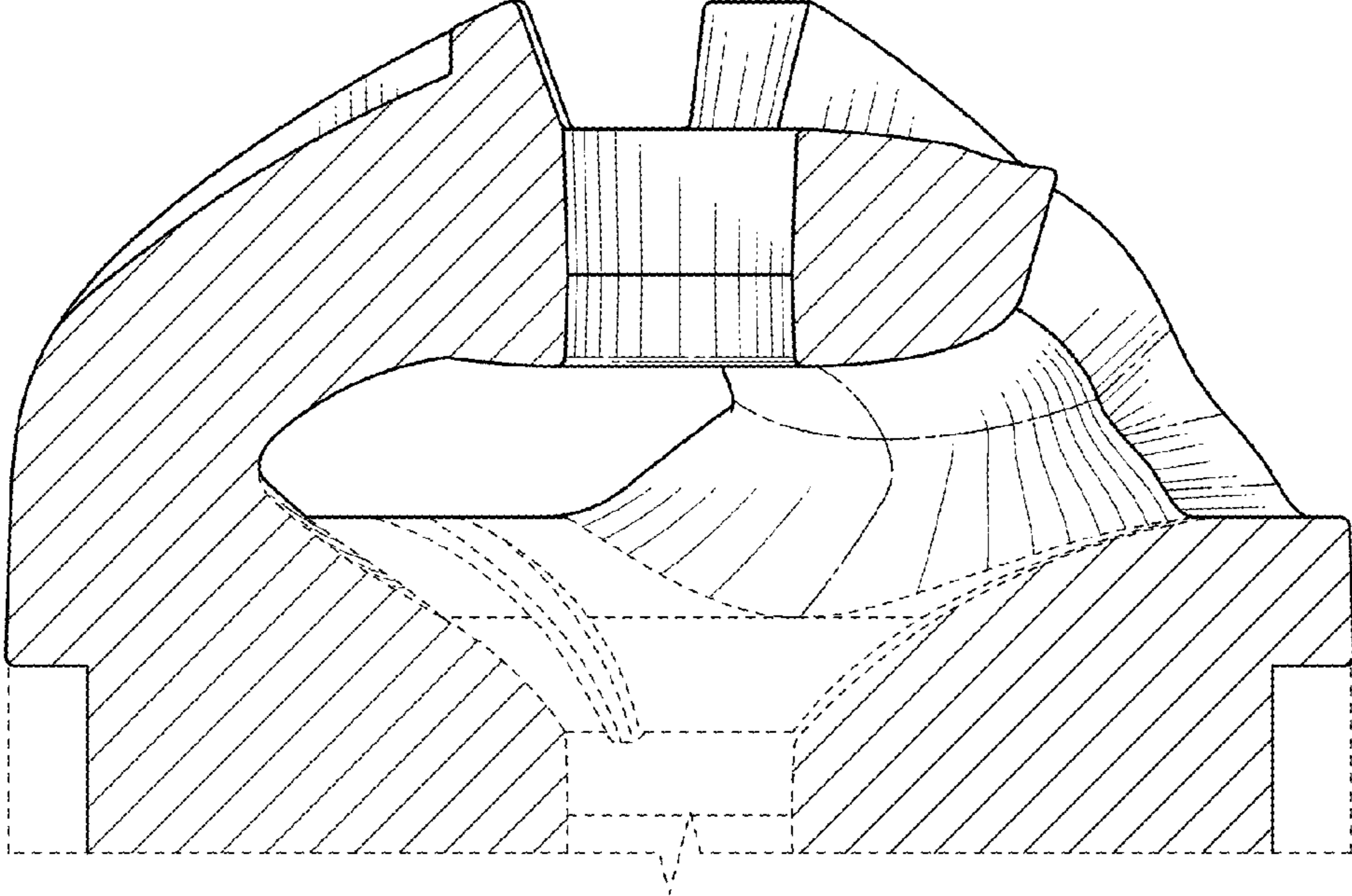


FIG. 9

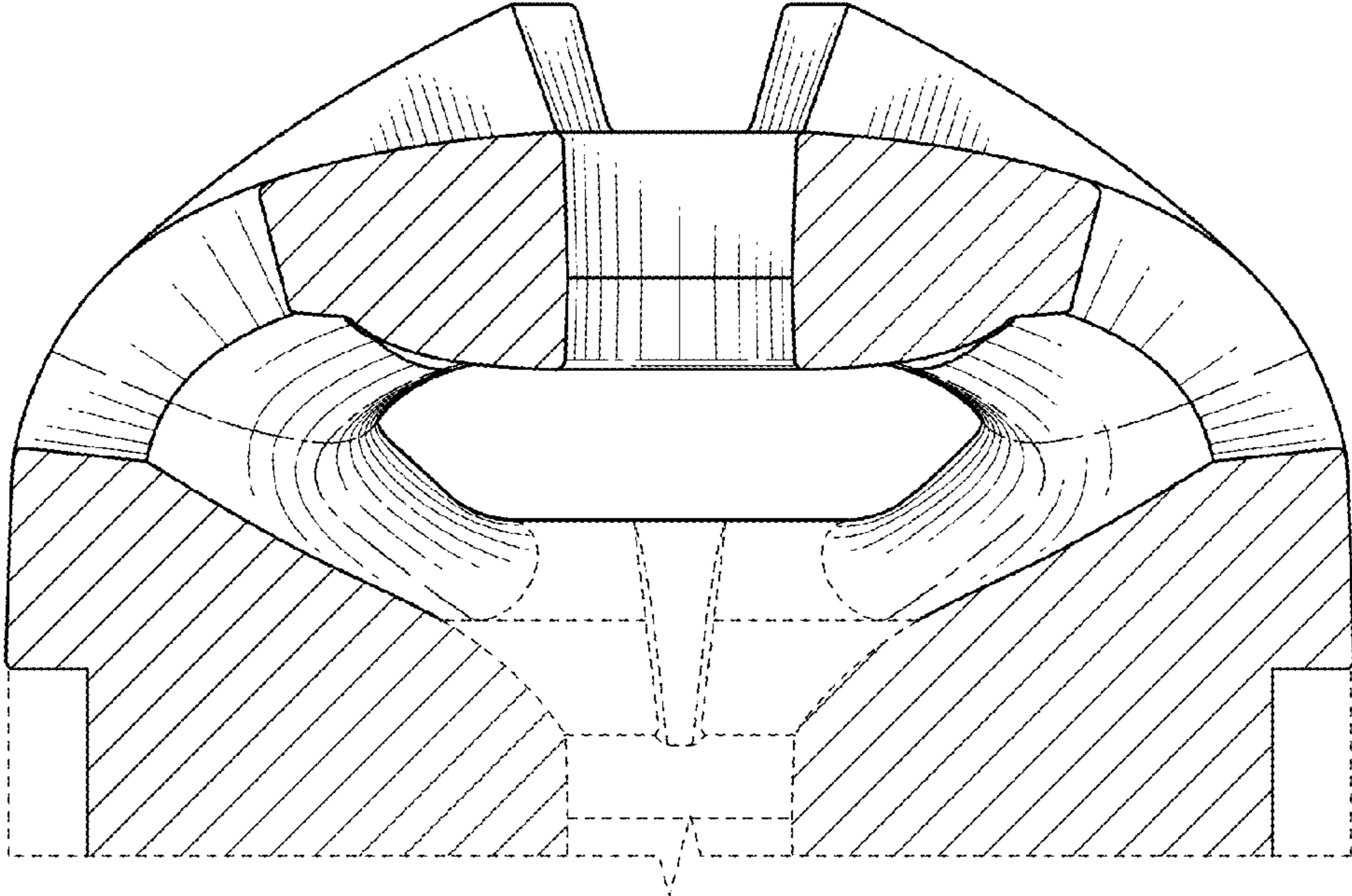


FIG. 10

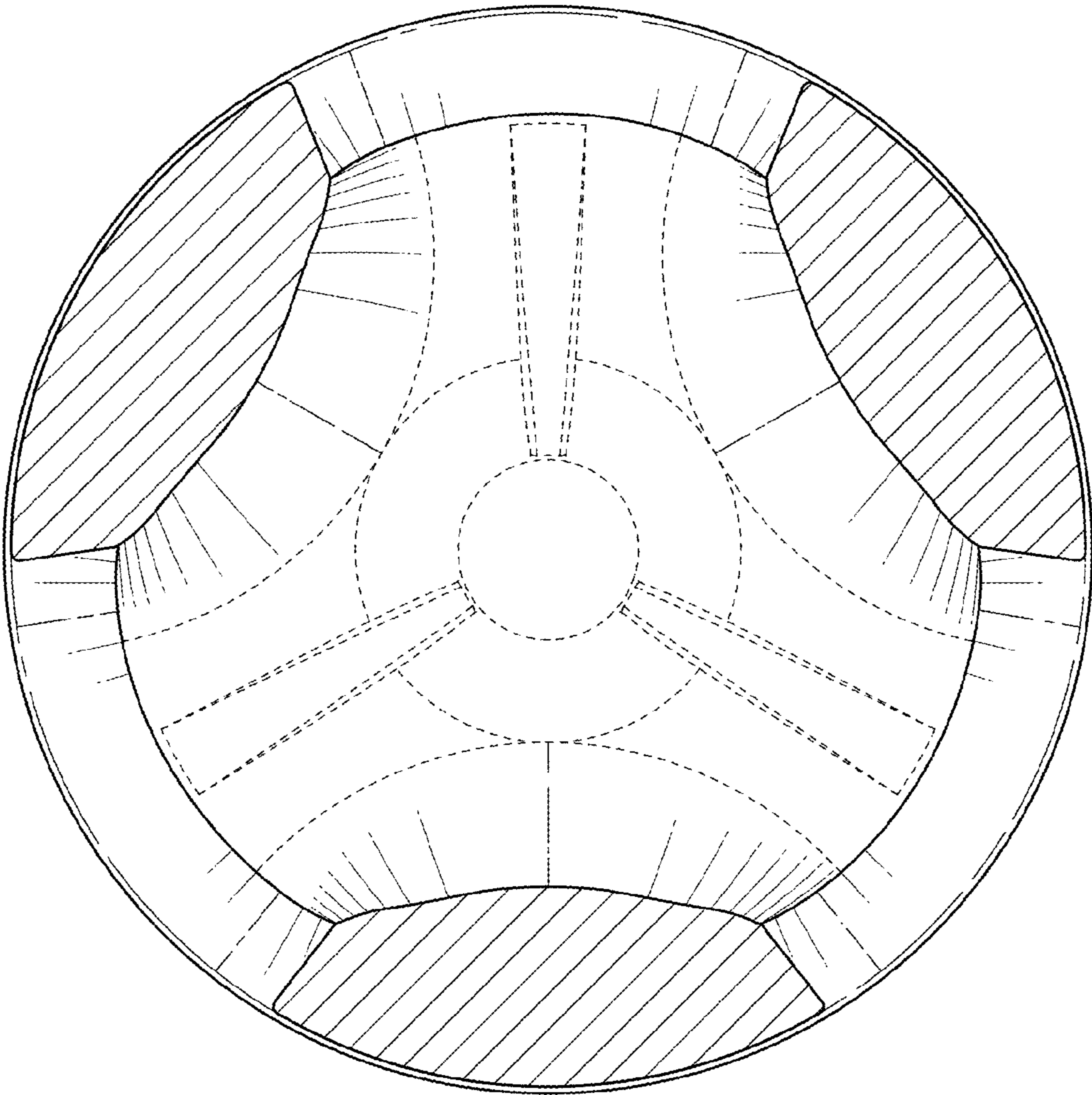


FIG. 11