

US00D724202S

(12) **United States Design Patent**  
**Miyano et al.**

(10) **Patent No.:** **US D724,202 S**  
(45) **Date of Patent:** **\*\* Mar. 10, 2015**

(54) **DENTAL DISPENSER**

(71) Applicant: **GC Corporation**, Bunkyo-ku (JP)

(72) Inventors: **Tatsunosuke Miyano**, Itabashi-ku (JP);  
**Shigeru Igarashi**, Itabashi-ku (JP)

(73) Assignee: **GC Corporation**, Bunkyo-ku (JP)

(\*\*) Term: **14 Years**

(21) Appl. No.: **29/437,861**

(22) Filed: **Nov. 21, 2012**

(30) **Foreign Application Priority Data**

May 23, 2012 (JP) ..... 2012-012035

(51) **LOC (10) Cl.** ..... **24-02**

(52) **U.S. Cl.**  
USPC ..... **D24/113; D24/152**

(58) **Field of Classification Search**  
USPC ..... D24/152, 155-156, 176-182, 112-114,  
D24/133, 186, 108; 604/181, 187, 223, 232;  
433/32, 87-90, 114, 126  
See application file for complete search history.

(56) **References Cited**

**U.S. PATENT DOCUMENTS**

D320,270 S \* 9/1991 Ball et al. .... D24/113  
5,213,110 A \* 5/1993 Kedem et al. .... D24/113  
5,306,147 A \* 4/1994 Dragan et al. .... 433/90

D357,536 S \* 4/1995 Dragan et al. .... D24/176  
D408,527 S \* 4/1999 Coelho et al. .... D24/108  
6,312,254 B1 \* 11/2001 Friedman ..... 433/32  
D460,174 S \* 7/2002 Gallagher ..... D24/113  
D593,677 S \* 6/2009 Mudd et al. .... D24/113  
2008/0187883 A1 \* 8/2008 Lee et al. .... 433/89  
2012/0045732 A1 \* 2/2012 Chen et al. .... 433/90

\* cited by examiner

*Primary Examiner* — Wan Laymon

(74) *Attorney, Agent, or Firm* — Oblon, McClelland, Maier & Neustadt, L.L.P.

(57) **CLAIM**

The ornamental design for a dental dispenser, as shown and described.

**DESCRIPTION**

FIG. 1 is a front view of a dental dispenser showing our new design;

FIG. 2 is a rear view thereof;

FIG. 3 is a right side view thereof;

FIG. 4 is a left side view thereof;

FIG. 5 is a top view thereof;

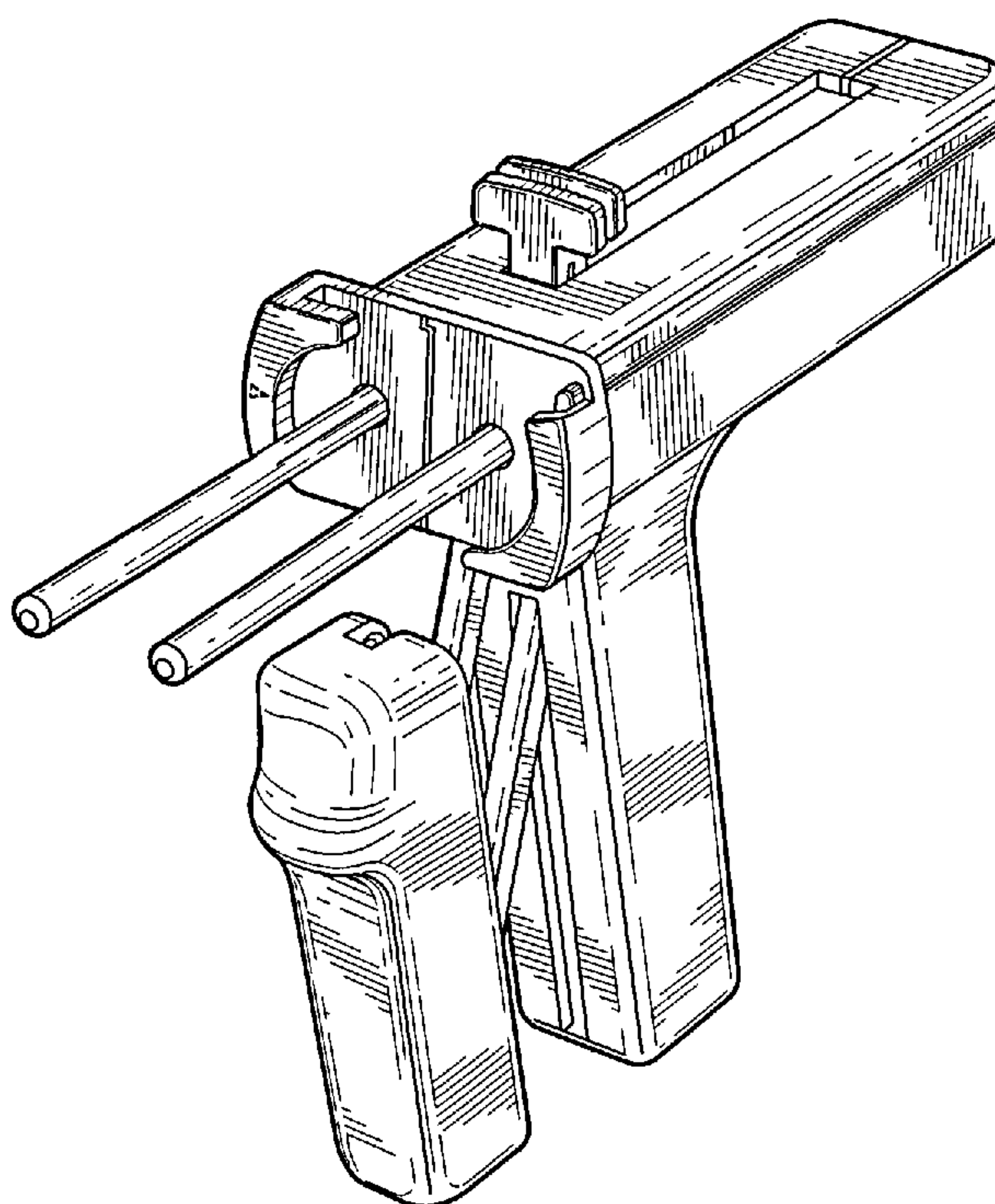
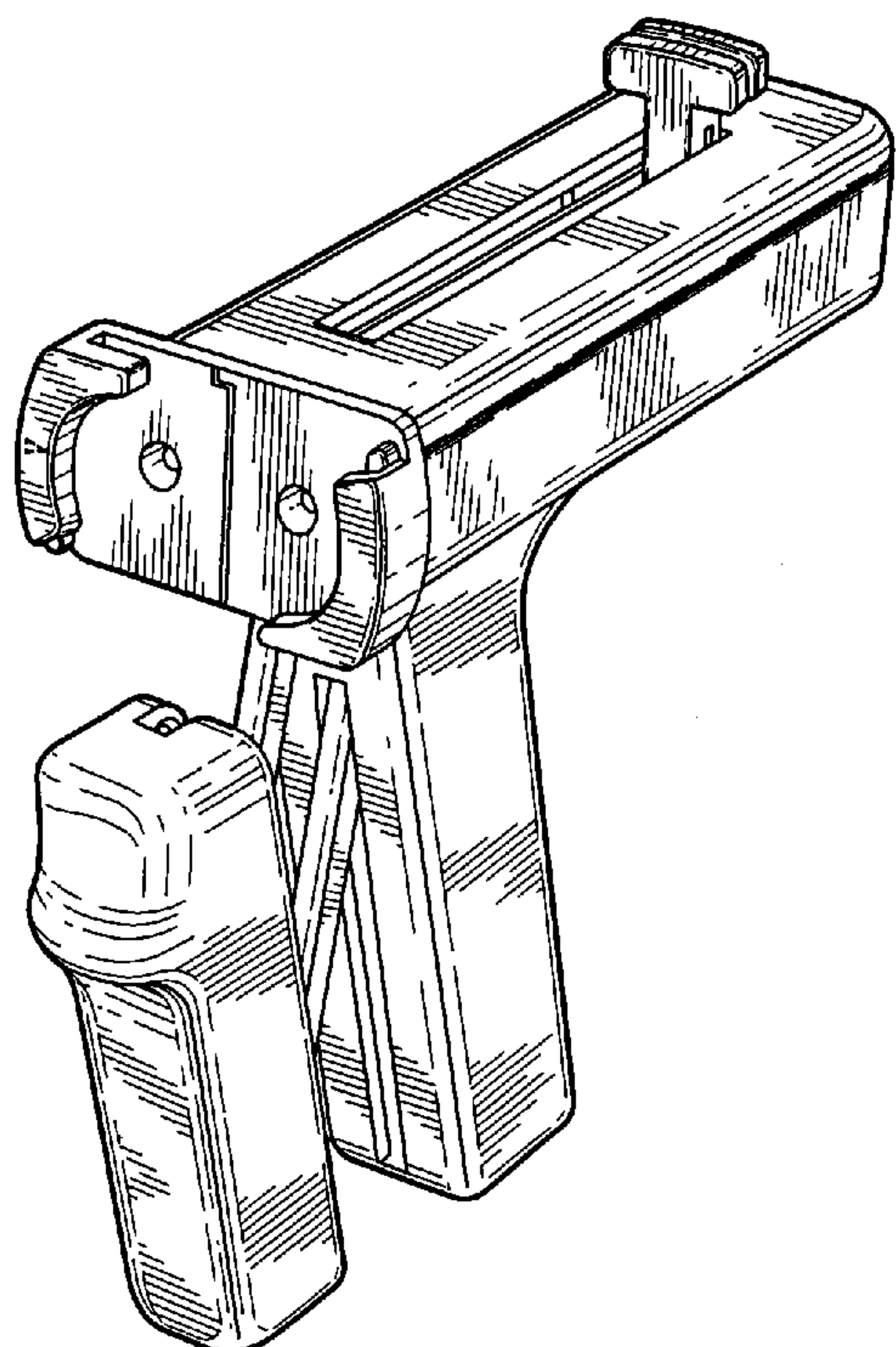
FIG. 6 is a bottom view thereof;

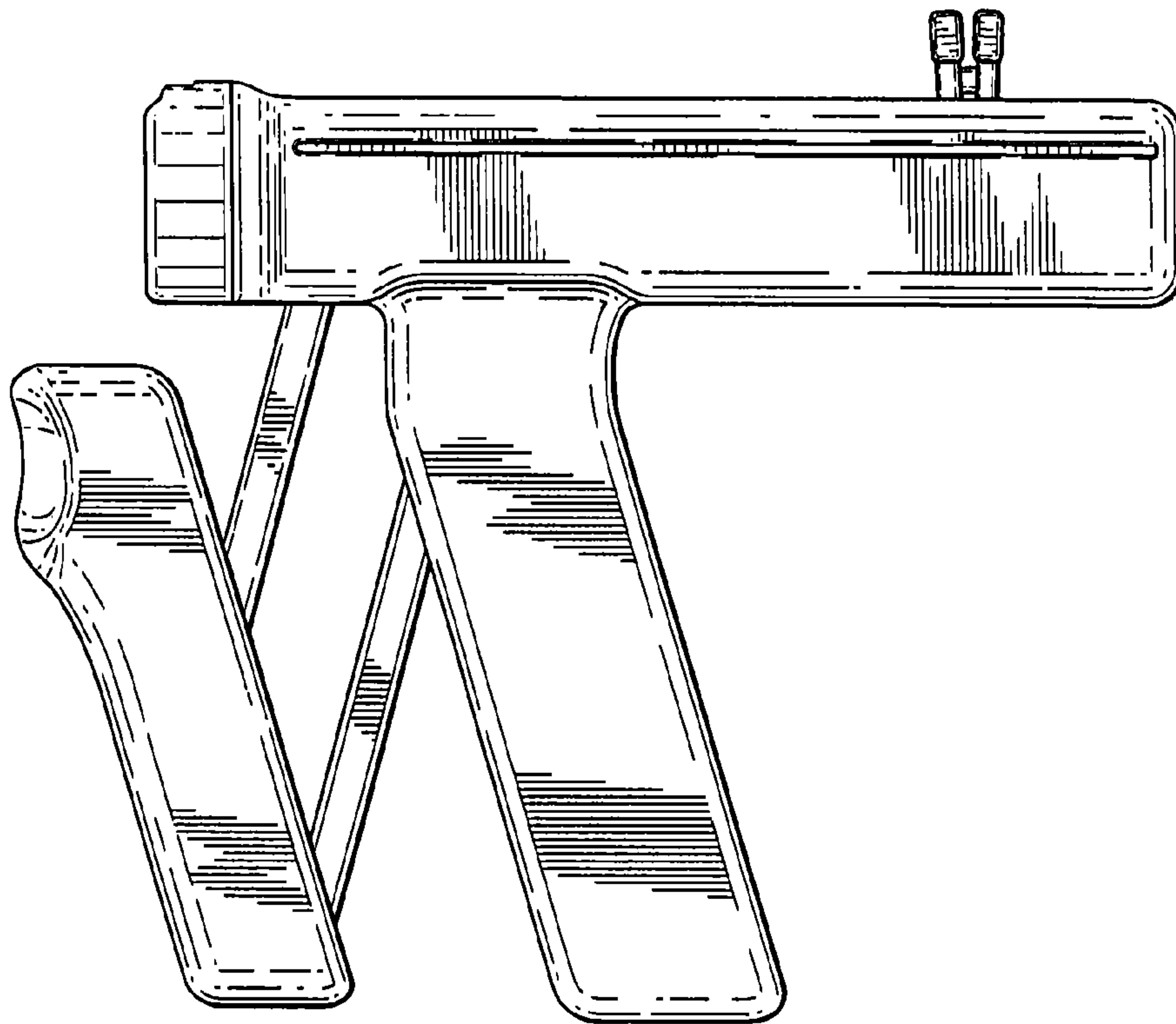
FIG. 7 is a perspective view thereof;

FIG. 8 is a reference perspective view showing state in which extrusion portions are completely protruded; and,  
FIG. 9 is a reference perspective view showing state of use thereof.

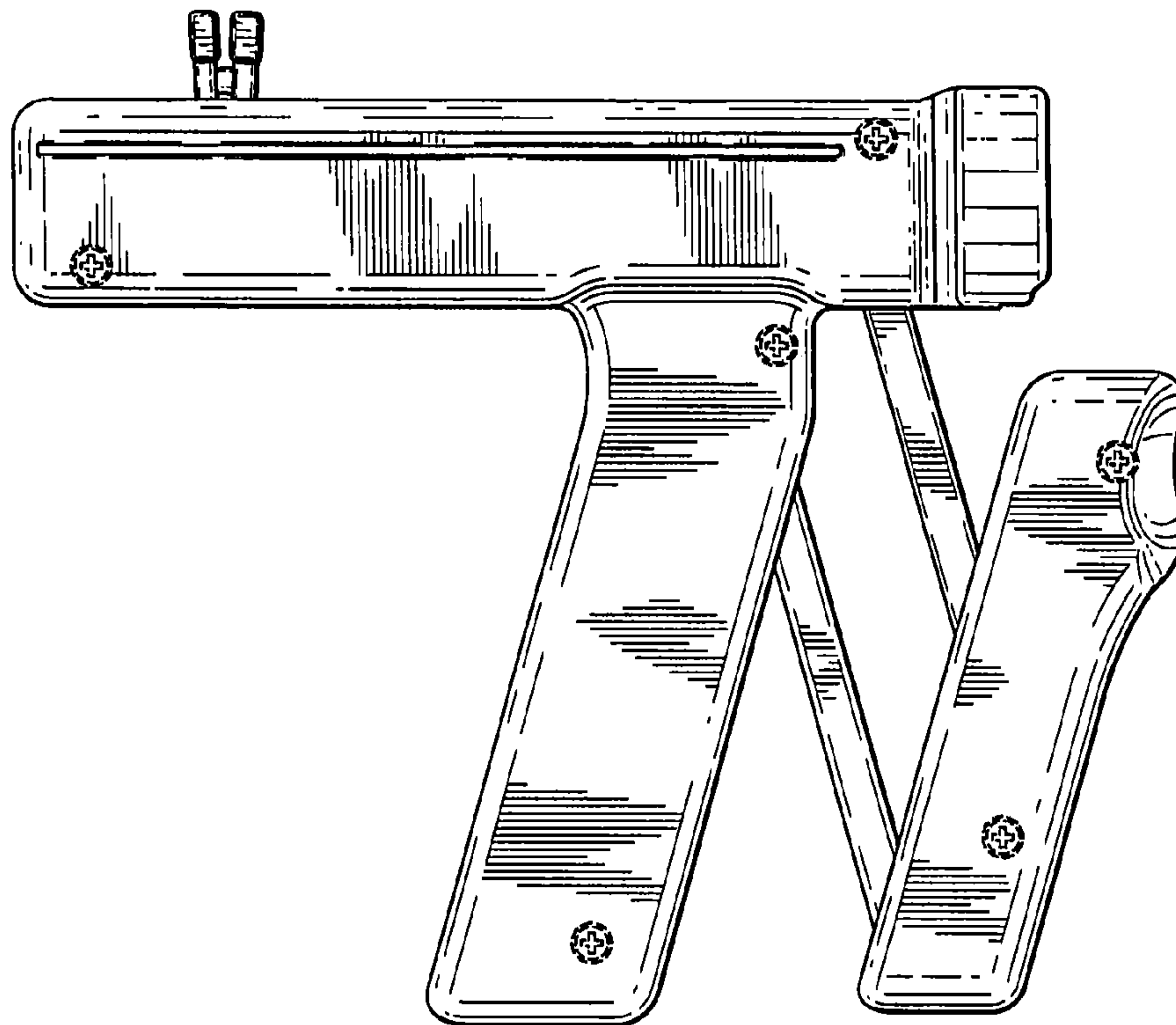
The broken lines in the drawings depict environmental subject matter only and form no part of the claimed design.

**1 Claim, 9 Drawing Sheets**

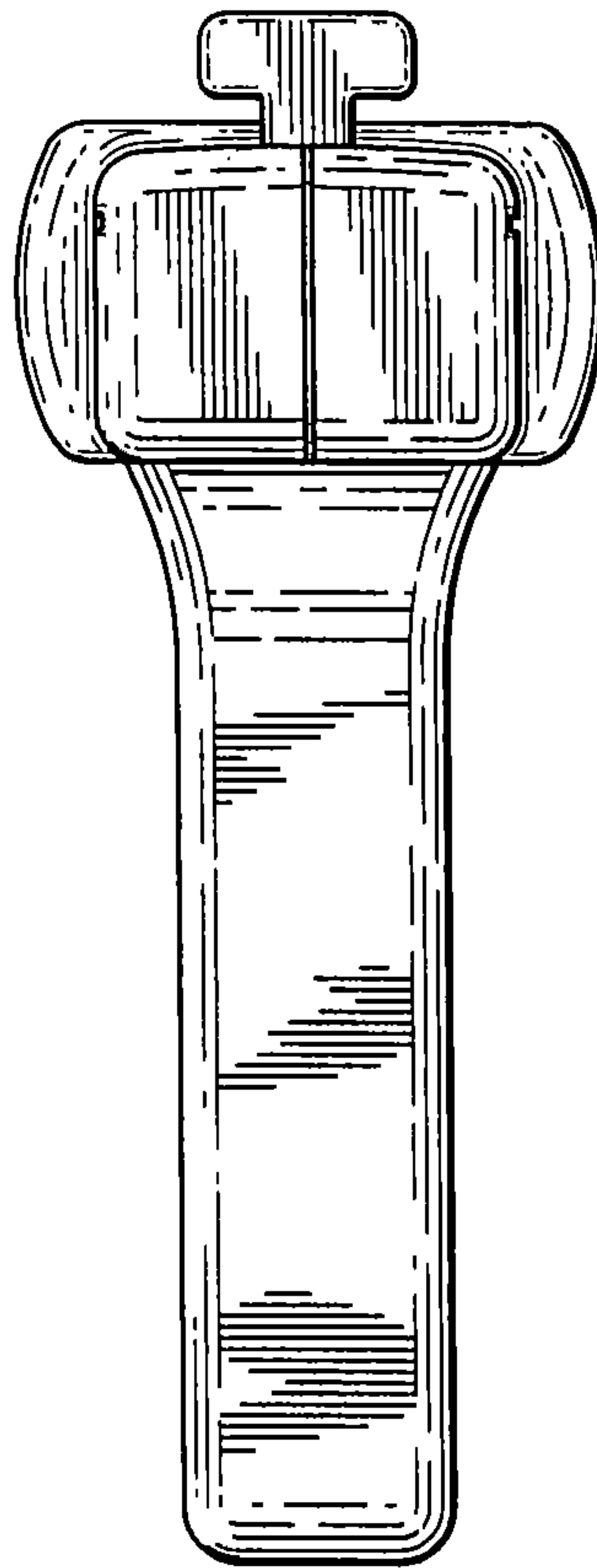




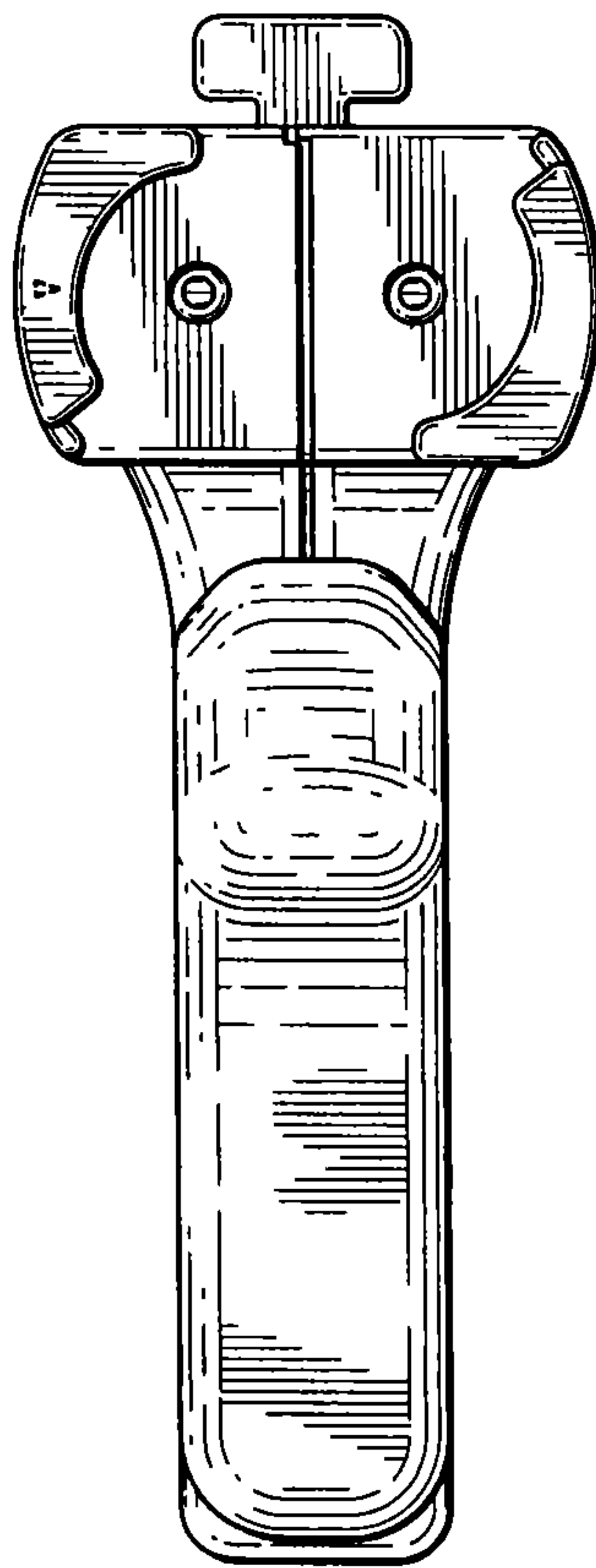
*Fig. 1*



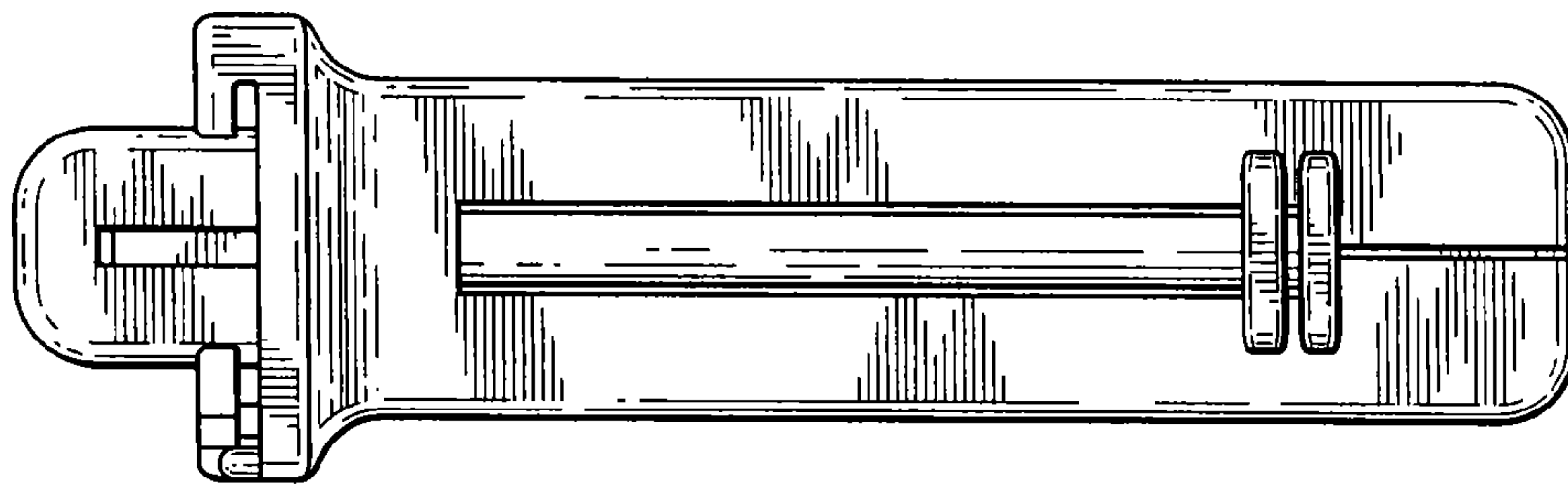
***Fig. 2***



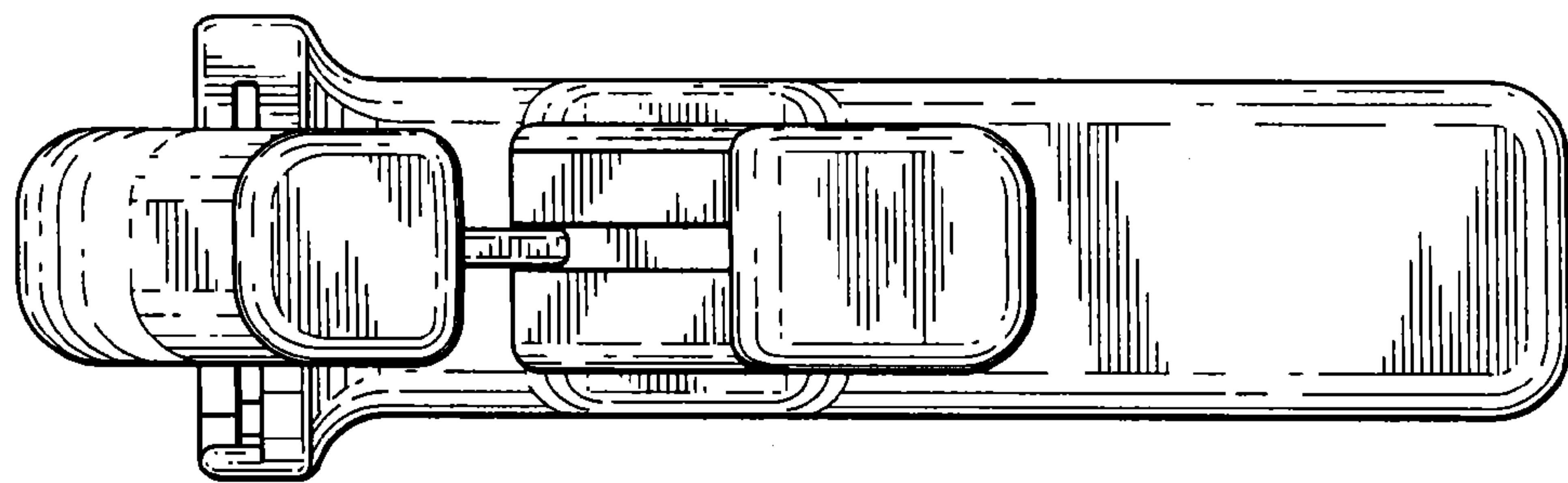
*Fig. 3*



*Fig. 4*

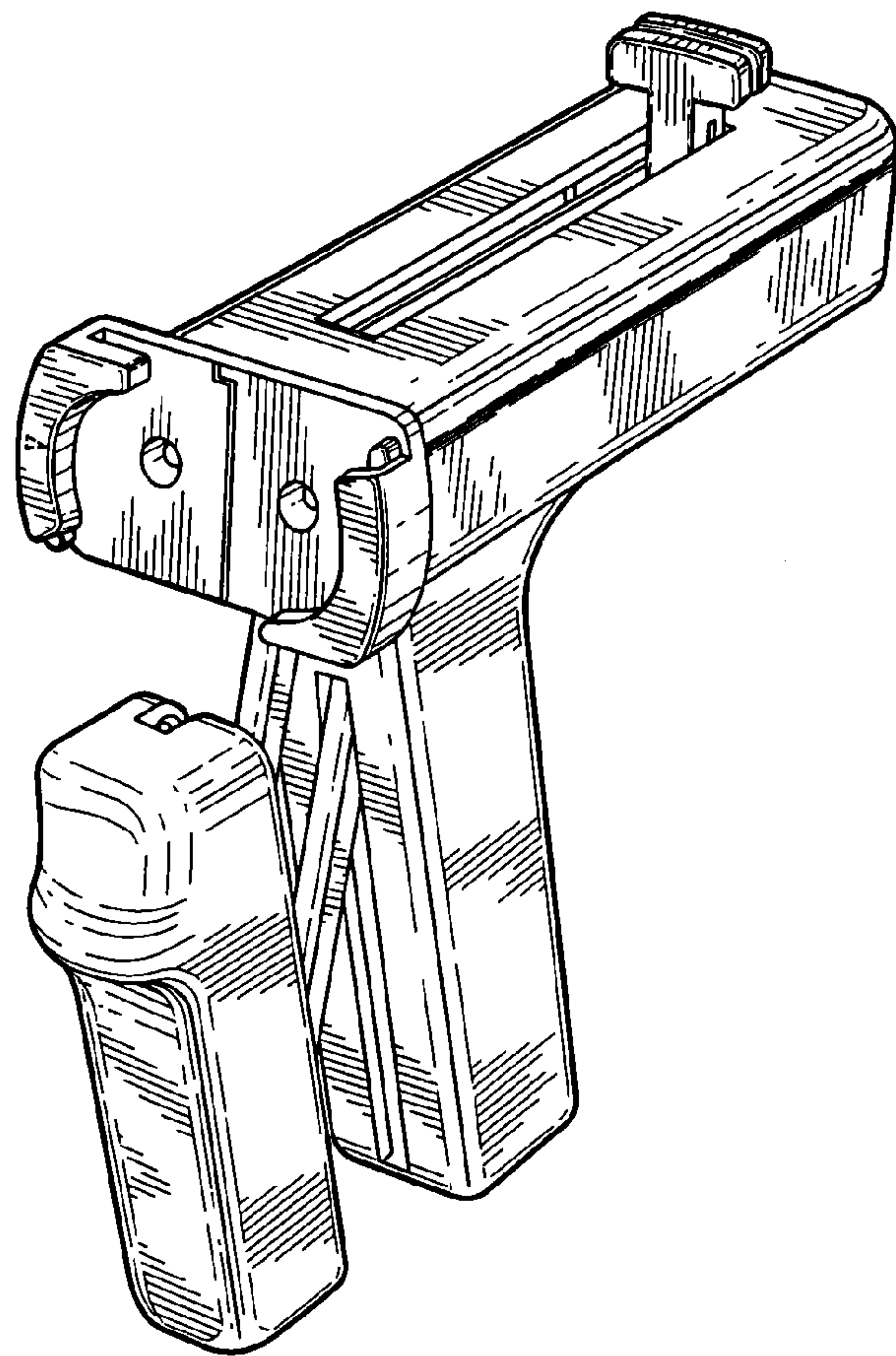


*Fig. 5*



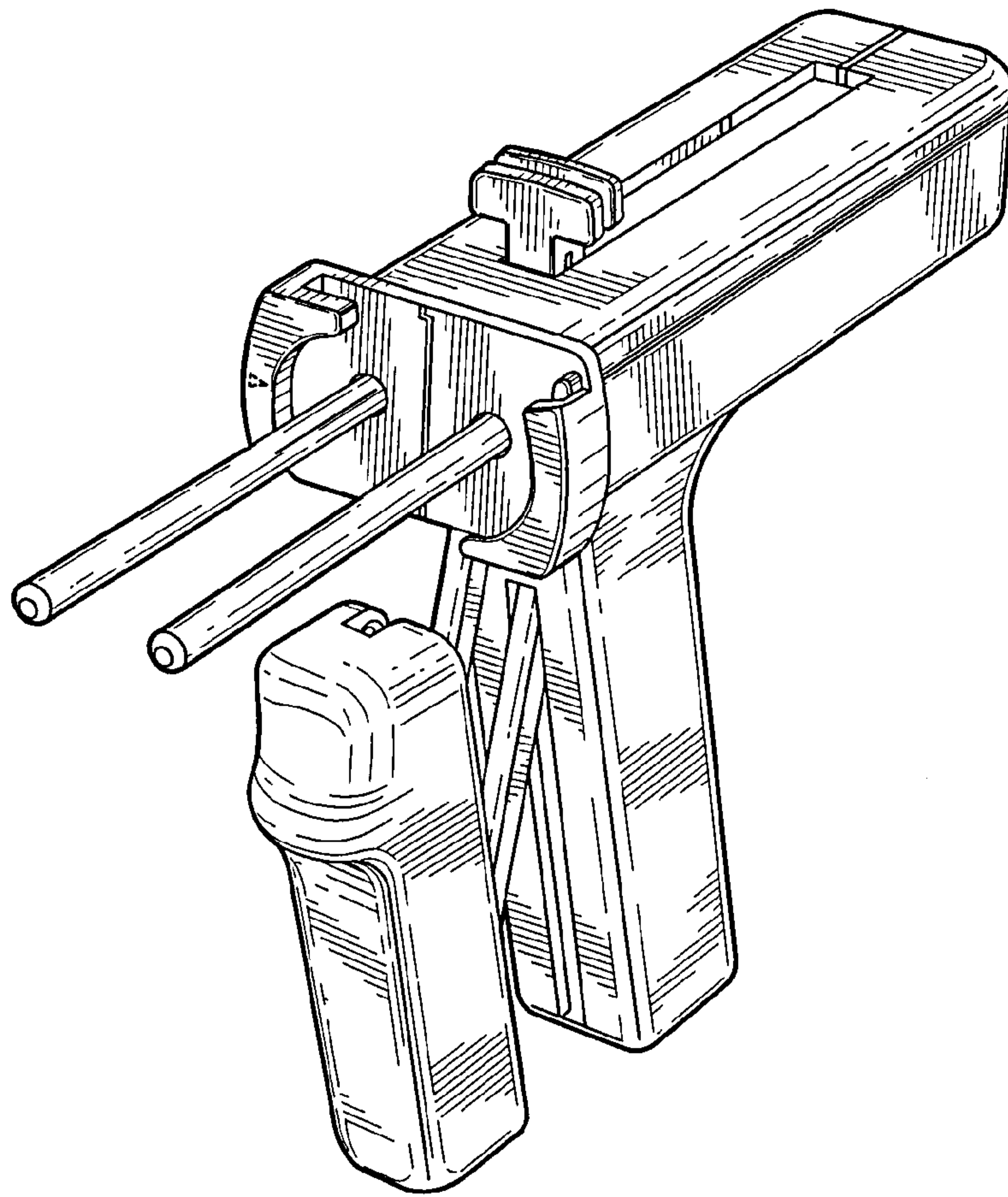
*Fig. 6*



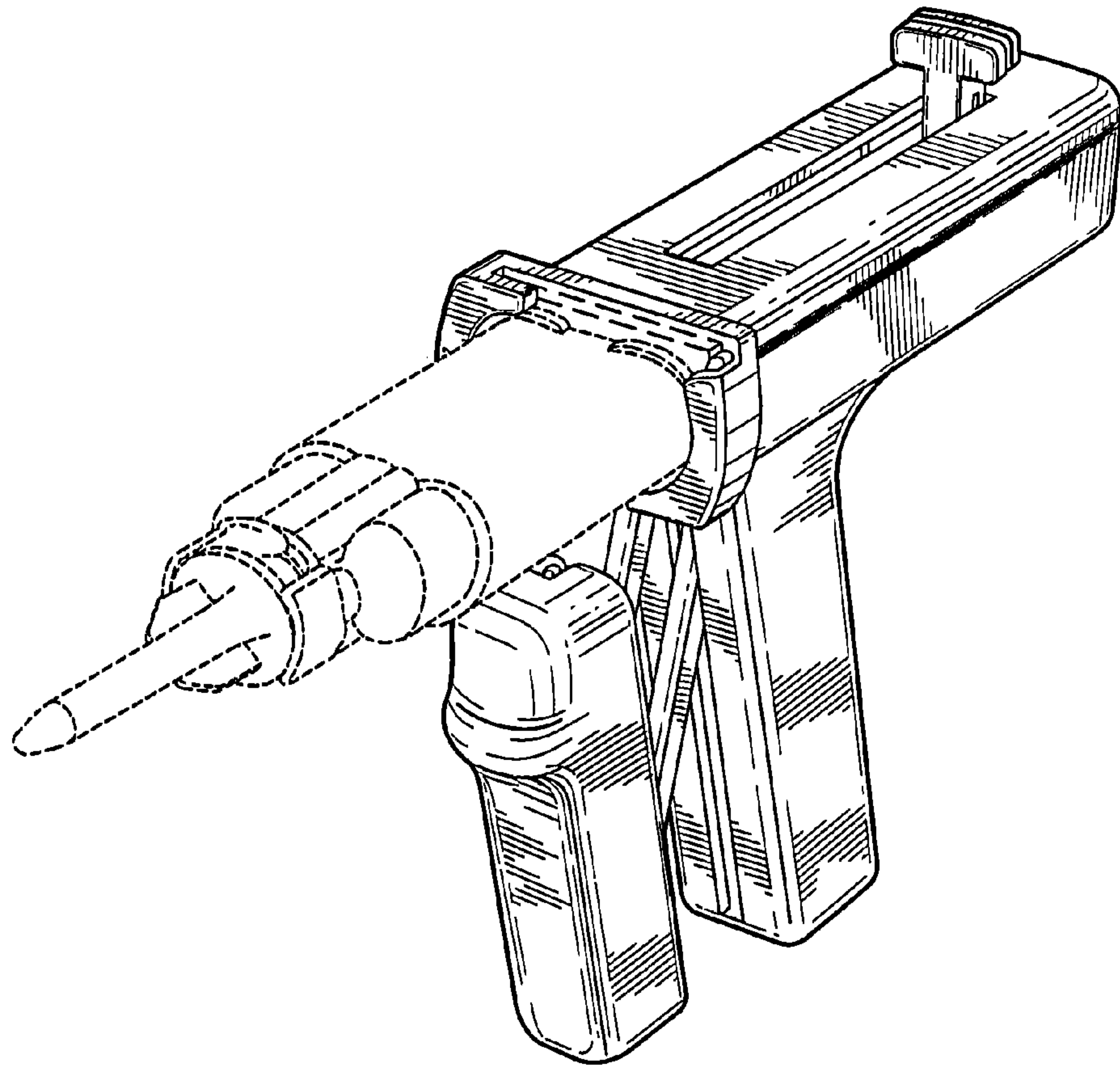


*Fig. 7*





*Fig. 8*



*Fig. 9*