



US00D724200S

(12) **United States Design Patent**
Brannon

(10) **Patent No.:** **US D724,200 S**
(45) **Date of Patent:** **** Mar. 10, 2015**

(54) **CANNULA**

(71) Applicant: **James K Brannon**, Leawood, KS (US)

(72) Inventor: **James K Brannon**, Leawood, KS (US)

(**) Term: **14 Years**

(21) Appl. No.: **29/449,929**

(22) Filed: **Mar. 15, 2013**

(51) **LOC (10) Cl.** **24-02**

(52) **U.S. Cl.**
USPC **D24/112**

(58) **Field of Classification Search**
USPC D24/112–114, 133, 186, 130, 127, 129,
D24/108; 600/400, 473–476, 101, 139, 143;
604/264, 280, 256, 164, 283, 174, 272,
604/115, 232, 187, 158, 164.08, 192, 263,
604/163, 181, 184, 198, 227; 128/200.24,
128/207.14, 207.15

See application file for complete search history.

(56) **References Cited**

U.S. PATENT DOCUMENTS

3,093,134	A *	6/1963	Roehr	604/272
D223,247	S *	4/1972	Brodsky	D24/112
D228,968	S *	10/1973	Burke	D24/112
4,396,021	A *	8/1983	Baumgartner	600/567
D353,453	S *	12/1994	O’Toole	D24/108
D357,313	S *	4/1995	Worrich	D24/112
D367,324	S *	2/1996	McCarthy et al.	D24/112
5,554,097	A *	9/1996	Guy	600/102
5,772,678	A *	6/1998	Thomason et al.	606/185
5,916,198	A *	6/1999	Dillow	604/167.04
6,955,644	B2 *	10/2005	Forkey et al.	600/133
7,011,314	B2 *	3/2006	McFarlane	277/626
D558,339	S *	12/2007	Christopher et al.	D24/130
D559,980	S *	1/2008	Rehbein et al.	D24/133
D570,479	S *	6/2008	Rehbein et al.	D24/133
D570,480	S *	6/2008	Rehbein et al.	D24/133

D570,481	S *	6/2008	Rehbein et al.	D24/133
D579,554	S *	10/2008	Targell et al.	D24/112
D580,051	S *	11/2008	Rehbein et al.	D24/133
D640,785	S *	6/2011	Lee	D24/112
D654,583	S *	2/2012	Lee-Sepsick	D24/112
D700,318	S *	2/2014	Amoah et al.	D24/112
2002/0010425	A1 *	1/2002	Guo et al.	604/167.04
2002/0022762	A1 *	2/2002	Beane et al.	600/101
2011/0152910	A1 *	6/2011	Smith	606/185
2014/0276697	A1 *	9/2014	Greenberg et al.	606/15

OTHER PUBLICATIONS

U.S. Appl. No. 10/928,553, filed Aug. 26, 2004, James Kevin Brannon.
U.S. Appl. No. 11/970,246, filed Jan. 7, 2008, James K. Brannon.
U.S. Appl. No. 12/369,388, filed Feb. 11, 2009, James K. Brannon.
U.S. Appl. No. 12/181,205, filed Jul. 28, 2008, James K. Brannon.
U.S. Appl. No. 12/369,575, filed Feb. 11, 2009, James K. Brannon.

(Continued)

Primary Examiner — David Muller

Assistant Examiner — Nathan Johnston

(74) *Attorney, Agent, or Firm* — Intellectual Property Center, LLC; Arthur K. Shaffer

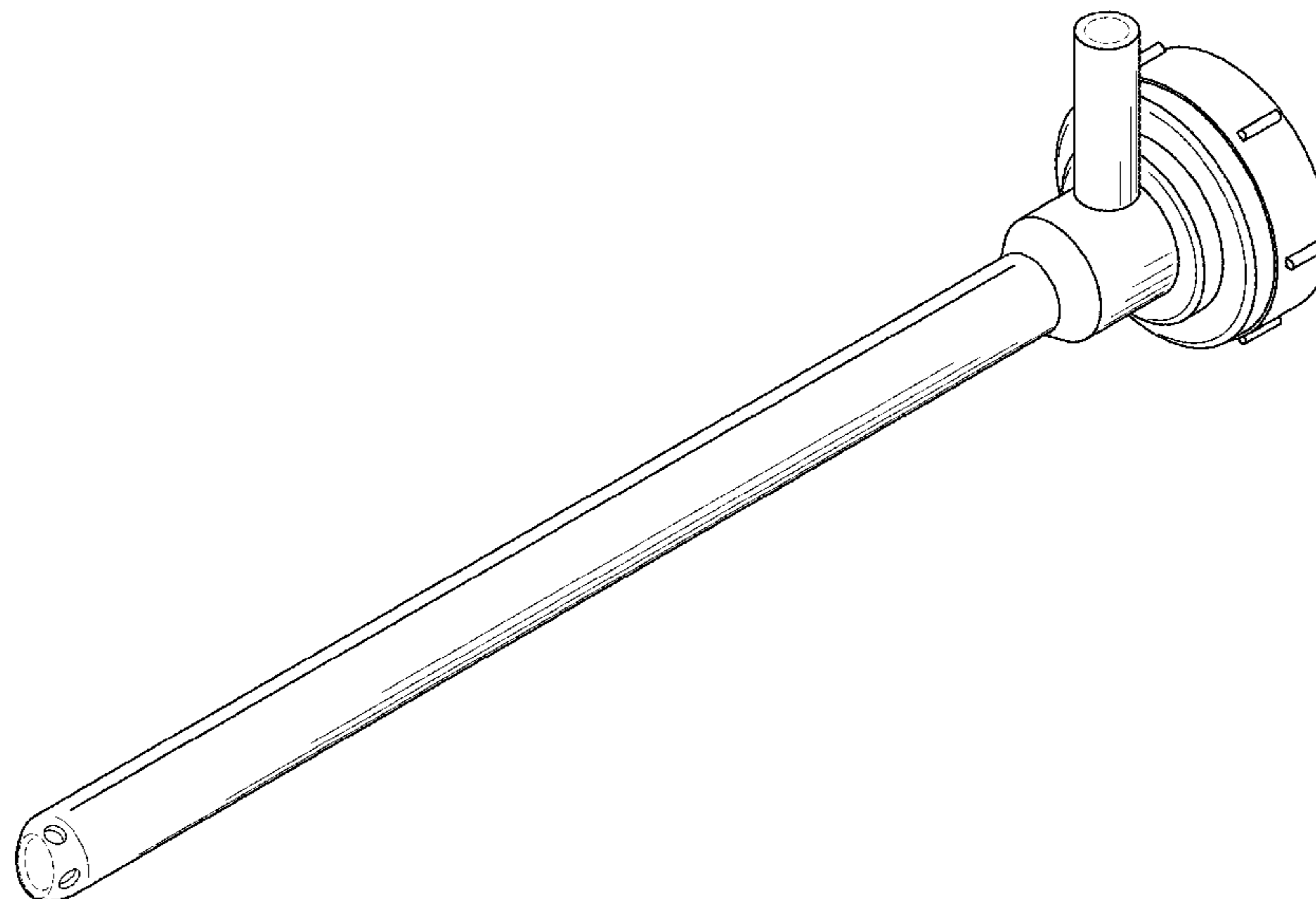
(57) **CLAIM**

The ornamental design for a cannula, as shown and described.

DESCRIPTION

FIG. 1 is a perspective view of a cannula in accordance with the present invention;
FIG. 2 is a top plan view thereof;
FIG. 3 is a side elevation view thereof;
FIG. 4 is a bottom plan view thereof;
FIG. 5 is a rear elevation view thereof; and,
FIG. 6 is a front elevation view thereof.
The broken lines in FIGS. 1, 2, 5, and 6 are for illustrative purposes only and form no part of the claimed invention.

1 Claim, 3 Drawing Sheets



(56)

References Cited

OTHER PUBLICATIONS

U.S. Appl. No. 12/706,706, filed Feb. 6, 2010, James K. Brannon.
U.S. Appl. No. 13/361,823, filed Jan. 30, 2012, James K. Brannon.
U.S. Appl. No. 61/170,508, filed Apr. 17, 2009, James K. Brannon.
U.S. Appl. No. 61/253,068, filed Oct. 20, 2009, James K. Brannon.
U.S. Appl. No. 61/218,757, filed Jun. 19, 2009, James K. Brannon.
U.S. Appl. No. 29/340,631, filed Jul. 22, 2009, James K. Brannon.
U.S. Appl. No. 61/266,908, filed Dec. 4, 2009, James K. Brannon.
U.S. Appl. No. 61/266,900, filed Dec. 4, 2009, James K. Brannon.
U.S. Appl. No. 61/303,496, filed Feb. 11, 2010, James K. Brannon.
U.S. Appl. No. 61/303,508, filed Feb. 11, 2010, James K. Brannon.
U.S. Appl. No. 61/309,732, filed Mar. 2, 2010, James K. Brannon.
U.S. Appl. No. 61/319,166, filed Mar. 30, 2010, James K. Brannon.
U.S. Appl. No. 61/325,084, filed Apr. 16, 2010, James K. Brannon.
U.S. Appl. No. 61/325,102, filed Apr. 16, 2010, James K. Brannon.

U.S. Appl. No. 12/763,213, filed Apr. 20, 2010, James K. Brannon.
U.S. Appl. No. 12/820,133, filed Jun. 21, 2010, James K. Brannon.
U.S. Appl. No. 12/908,879, filed Oct. 21, 2010, James K. Brannon.
U.S. Appl. No. 12/961,487, filed Dec. 6, 2010, James K. Brannon.
U.S. Appl. No. 12/961,491, filed Dec. 6, 2010, James K. Brannon.
U.S. Appl. No. 12/986,064, filed Jan. 6, 2011, James K. Brannon.
U.S. Appl. No. 61/443,655, filed Feb. 16, 2011, James K. Brannon.
U.S. Appl. No. 61/444,025, filed Feb. 17, 2011, James K. Brannon.
U.S. Appl. No. 61/444,315, filed Feb. 18, 2011, James K. Brannon.
U.S. Appl. No. 61/645,327, filed May 23, 2012, James K. Brannon.
U.S. Appl. No. 29/398,708, filed Aug. 3, 2011, James K. Brannon.
U.S. Appl. No. 13/444,559, filed Apr. 11, 2012, James K. Brannon.
U.S. Appl. No. 13/039,191, filed Mar. 2, 2011, James K. Brannon.
U.S. Appl. No. 13/076,408, filed Mar. 30, 2011, James K. Brannon.
U.S. Appl. No. 13/089,306, filed Apr. 18, 2011, James K. Brannon.
U.S. Appl. No. 13/197,476, filed Aug. 3, 2011, James K. Brannon.
U.S. Appl. No. 29/445,846, filed Feb. 18, 2013, James K. Brannon.

* cited by examiner

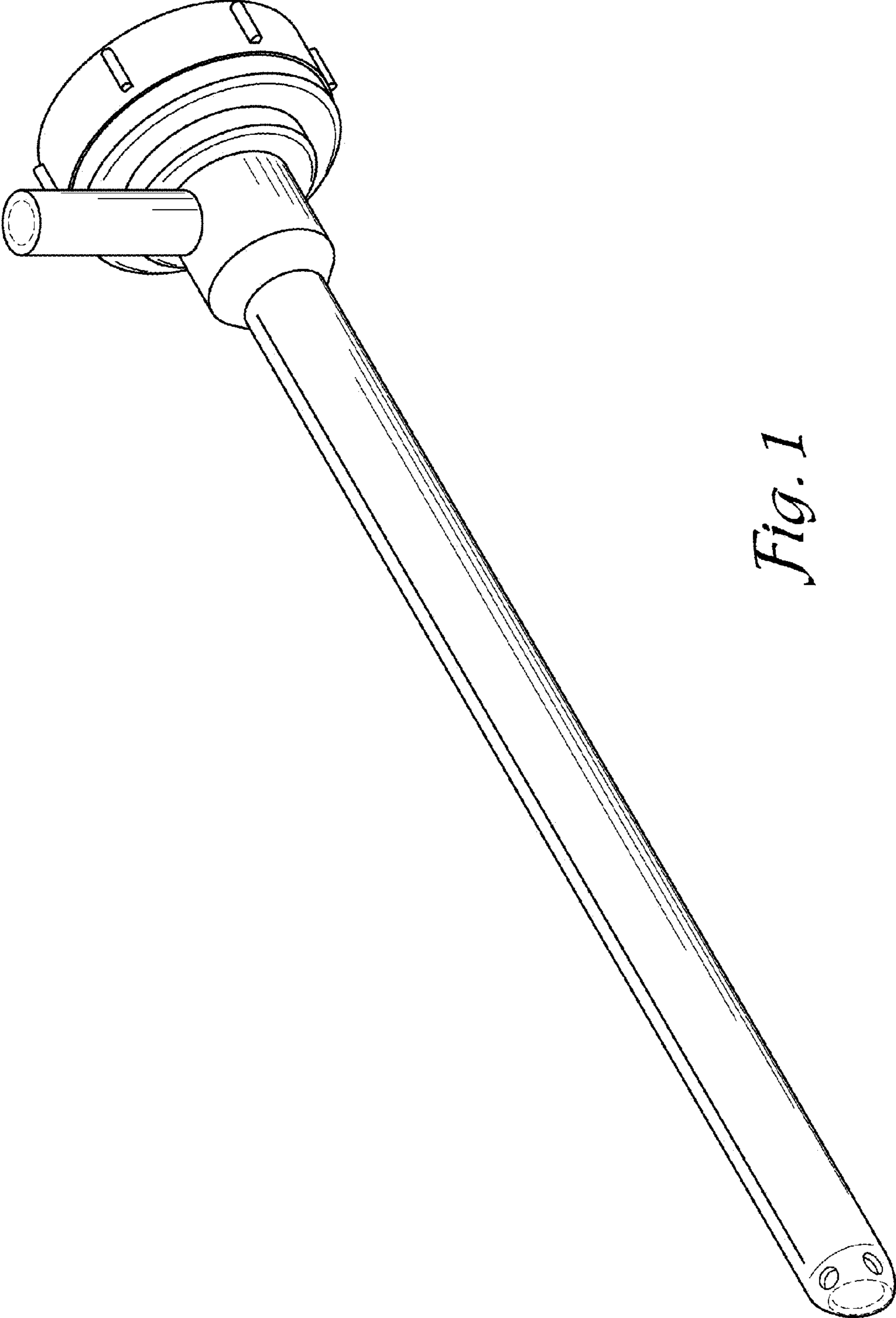


Fig. 1

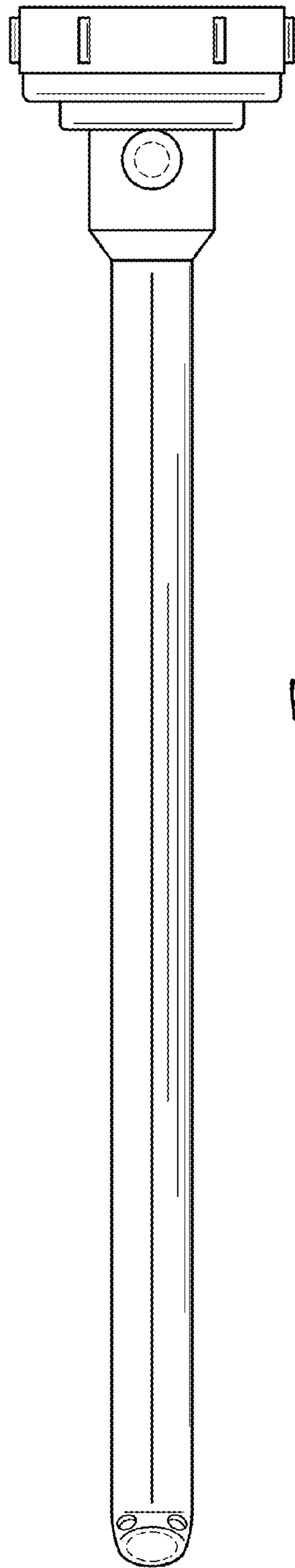


Fig. 2

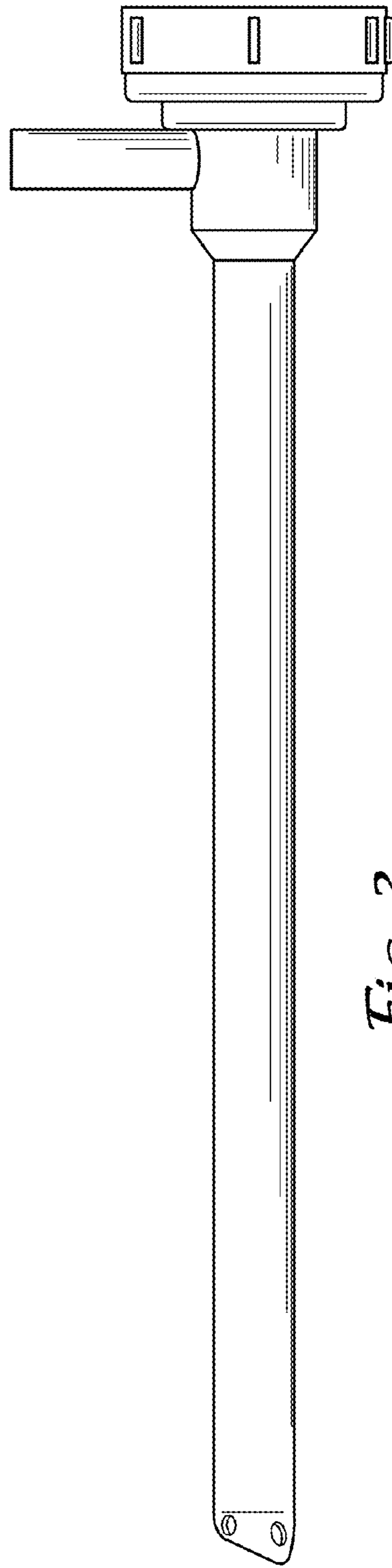


Fig. 3

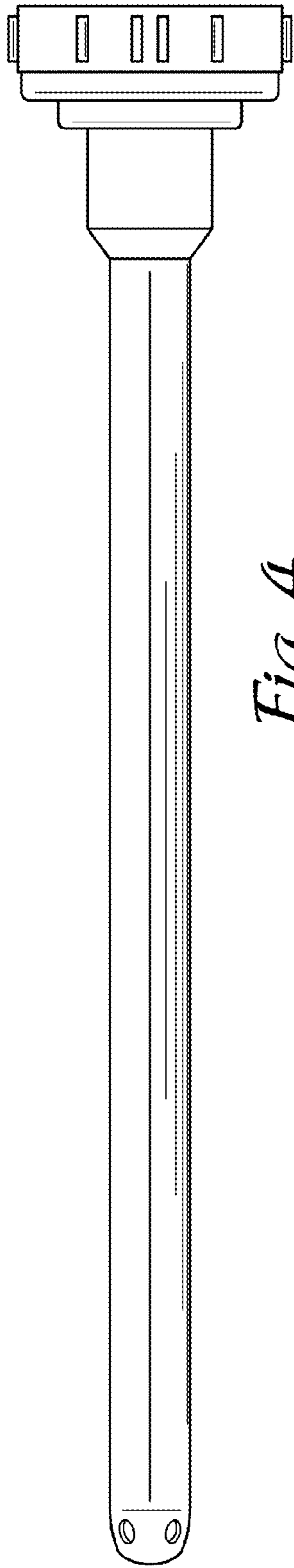


Fig. 4

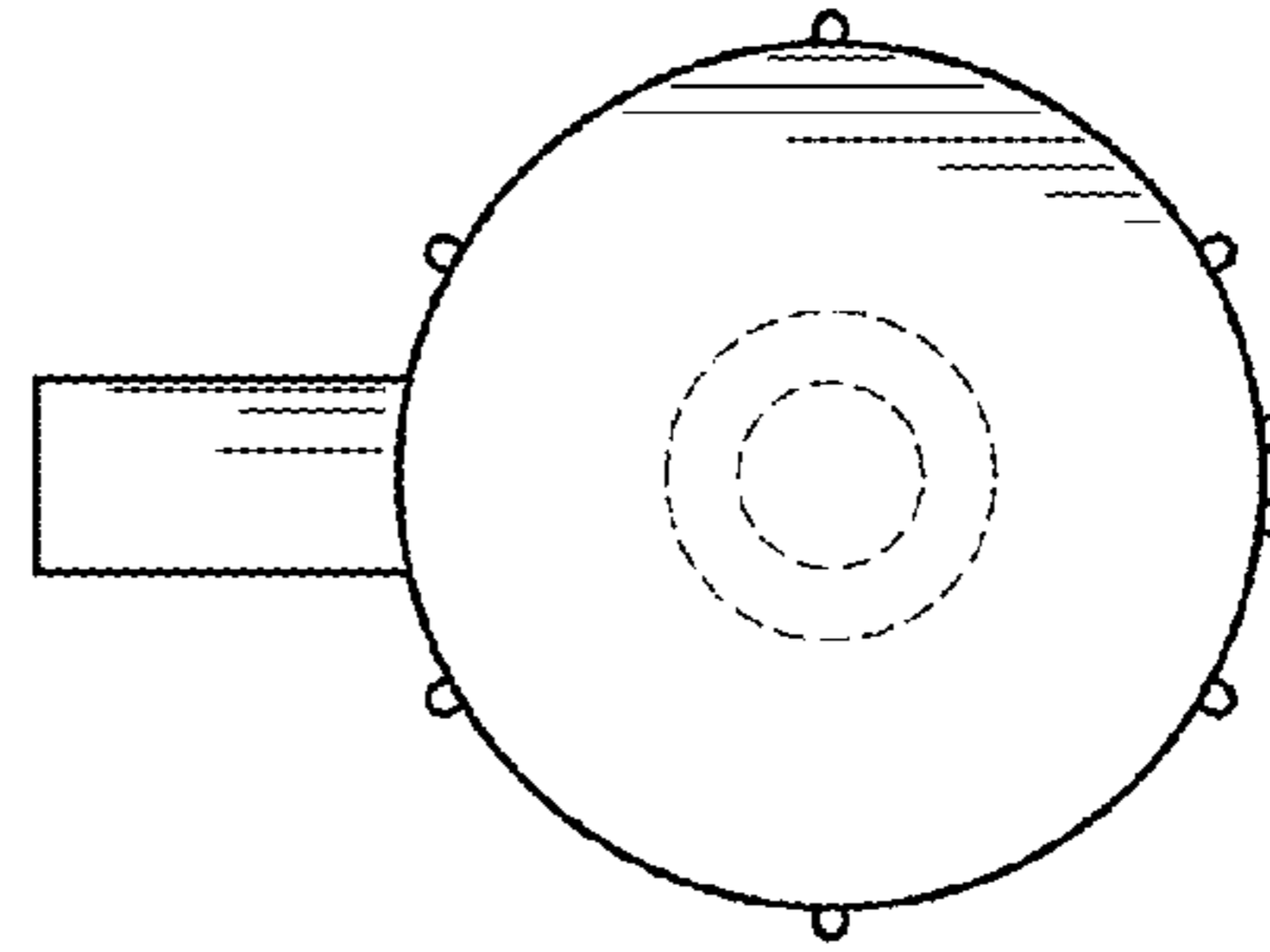


Fig. 6

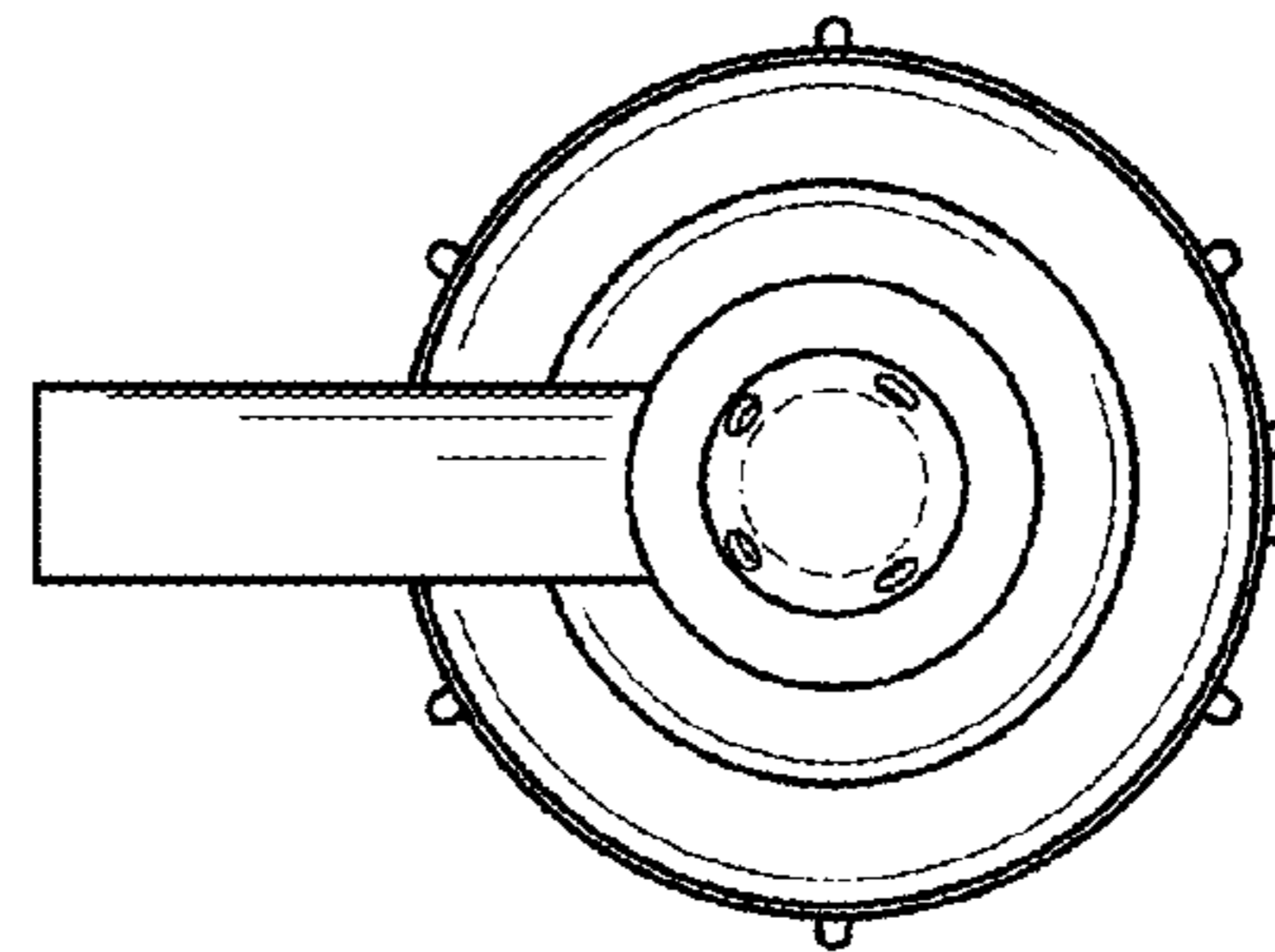


Fig. 5