



US00D724197S

(12) **United States Design Patent**  
**Hughes**

(10) **Patent No.:** **US D724,197 S**

(45) **Date of Patent:** **\*\* Mar. 10, 2015**

(54) **ORAL SLEEP APPLIANCE**

(71) Applicant: **Ronald W. Hughes**, Seattle, WA (US)

(72) Inventor: **Ronald W. Hughes**, Seattle, WA (US)

(\*\*) Term: **14 Years**

(21) Appl. No.: **29/443,280**

(22) Filed: **Jan. 15, 2013**

(51) **LOC (10) Cl.** ..... **29-02**

(52) **U.S. Cl.**  
USPC ..... **D24/110.5**

(58) **Field of Classification Search**  
USPC ..... D24/107, 110, 110.1, 110.5, 110.6, 127,  
D24/129, 164, 181; 128/200.11, 200.14,  
128/200.21, 200.24, 200.25, 202.27,  
128/203.12, 204.18, 205.24, 205.25,  
128/206.12, 206.15, 206.26, 207.12, 848,  
128/861, 862; 433/6; 606/234-236

See application file for complete search history.

(56) **References Cited**

**U.S. PATENT DOCUMENTS**

3,060,927	A *	10/1962	Gattone	.....	128/202.28
3,079,916	A *	3/1963	Marsden	.....	128/202.28
3,137,293	A *	6/1964	Green	.....	128/202.28
3,139,088	A *	6/1964	Galleher, Jr.	.....	128/206.29
3,538,913	A *	11/1970	Stolfi	.....	128/202.28
4,222,378	A *	9/1980	Mahoney	.....	128/206.24
D263,166	S *	2/1982	Bushman	.....	D24/110

4,360,017	A *	11/1982	Barlett	.....	128/202.28
D301,618	S *	6/1989	Barros	.....	D24/110
4,944,313	A *	7/1990	Katz et al.	.....	128/859
D311,607	S *	10/1990	Howells	.....	D24/110
D318,124	S *	7/1991	Siemens	.....	D24/110
D320,474	S *	10/1991	Flannagan	.....	D24/110
5,253,658	A *	10/1993	King	.....	128/859
D479,876	S *	9/2003	Gradon et al.	.....	D24/110.5
D504,947	S *	5/2005	McAuley et al.	.....	D24/110.5
7,137,393	B2 *	11/2006	Pivovarov	.....	128/848
D542,408	S *	5/2007	Oldenburg et al.	.....	D24/110.5
7,814,914	B2 *	10/2010	Lang et al.	.....	128/859
D677,378	S *	3/2013	Hughes	.....	D24/110.5
2002/0069872	A1 *	6/2002	Gradon et al.	.....	128/201.26

\* cited by examiner

*Primary Examiner* — Deanna L Pratt

*Assistant Examiner* — Lilyana Bekic

(74) *Attorney, Agent, or Firm* — Dean A. Craine

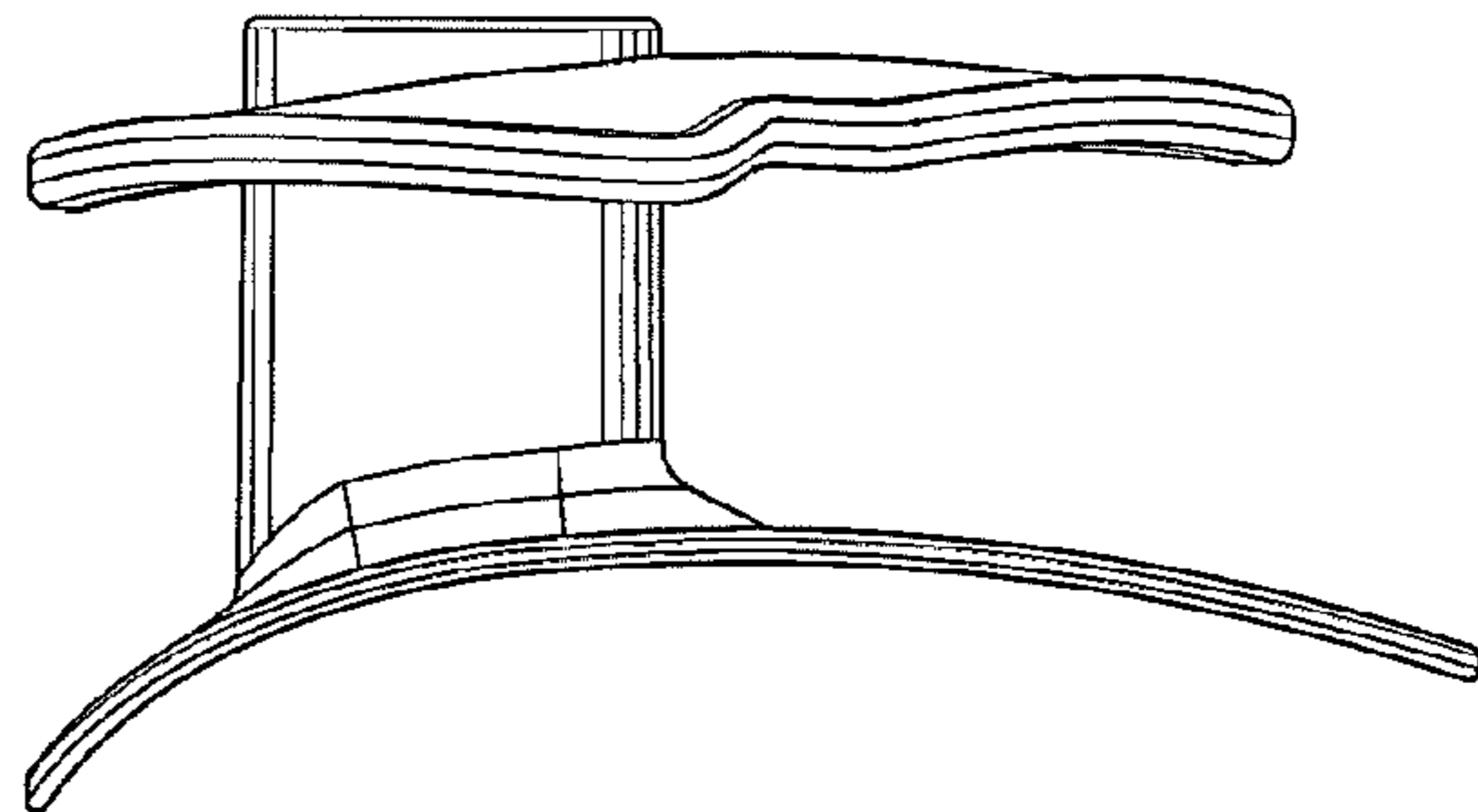
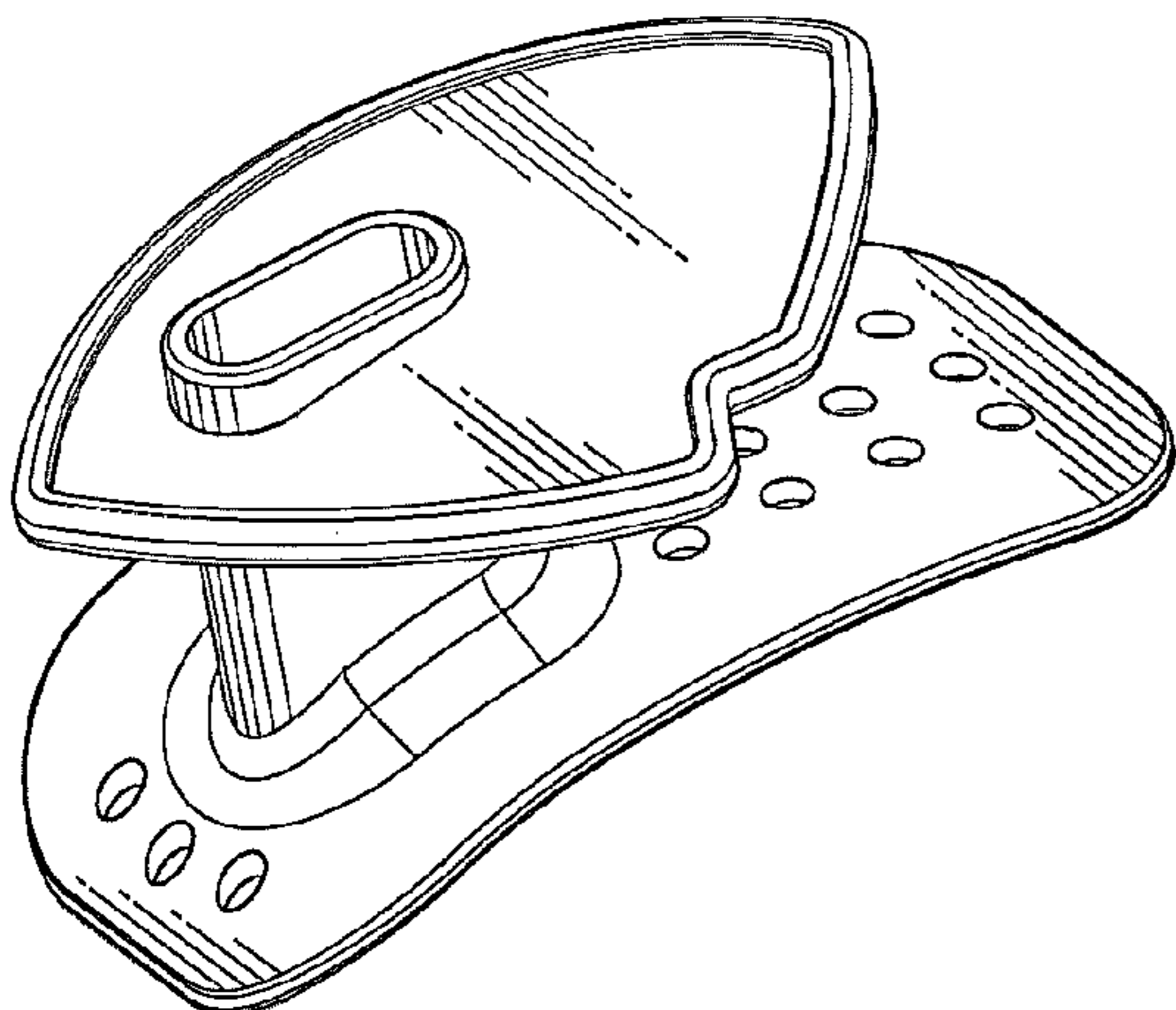
(57) **CLAIM**

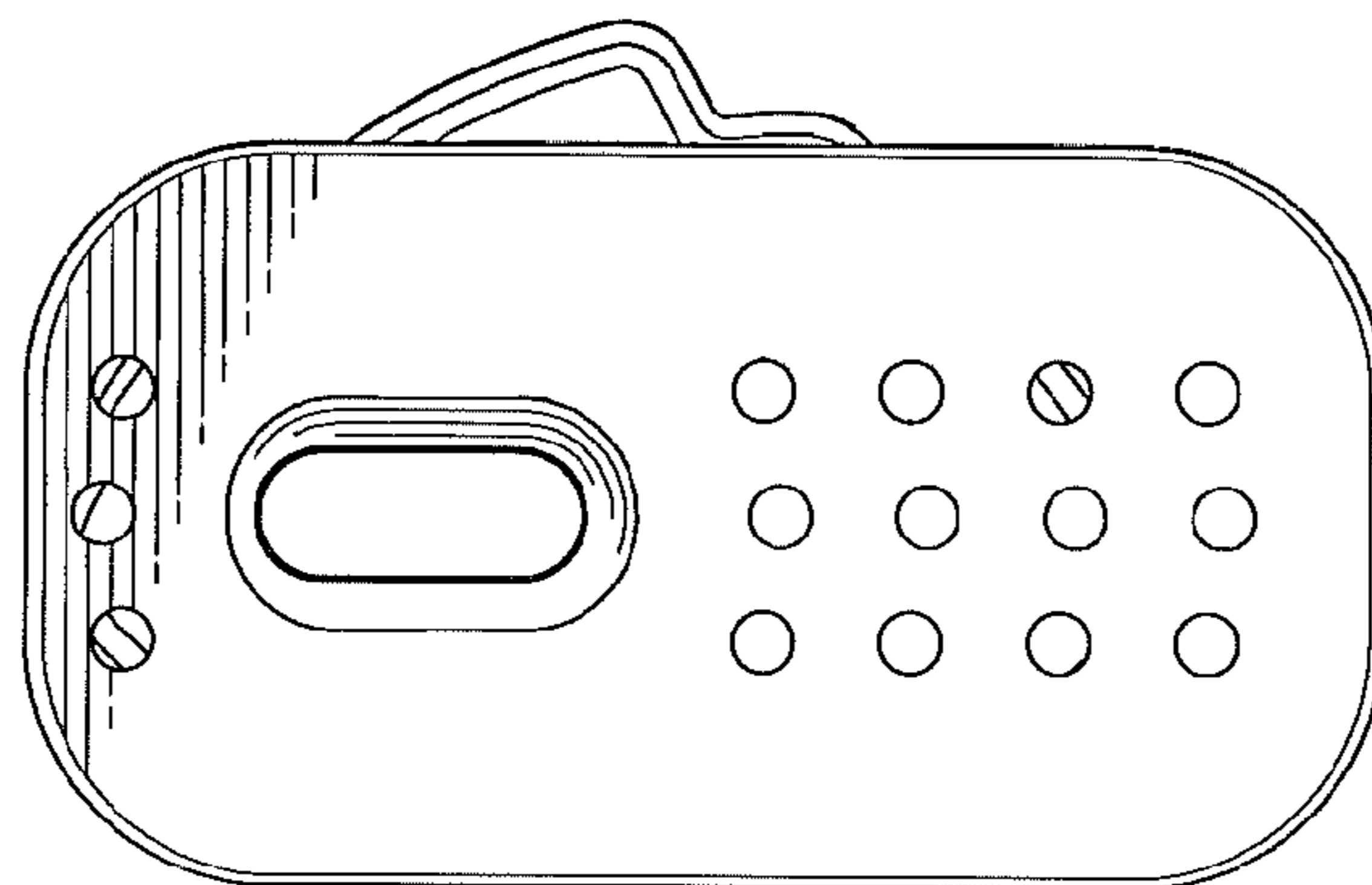
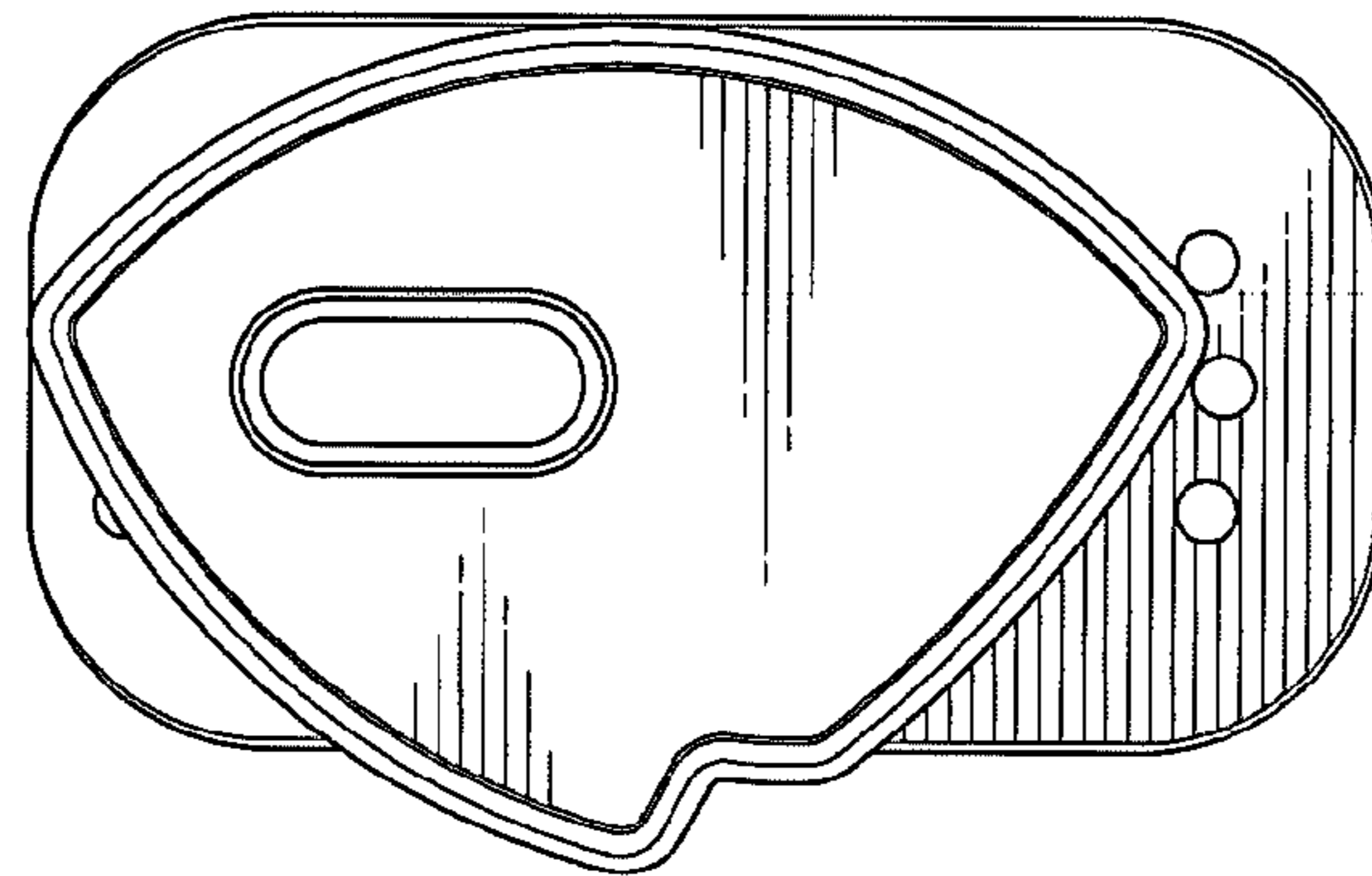
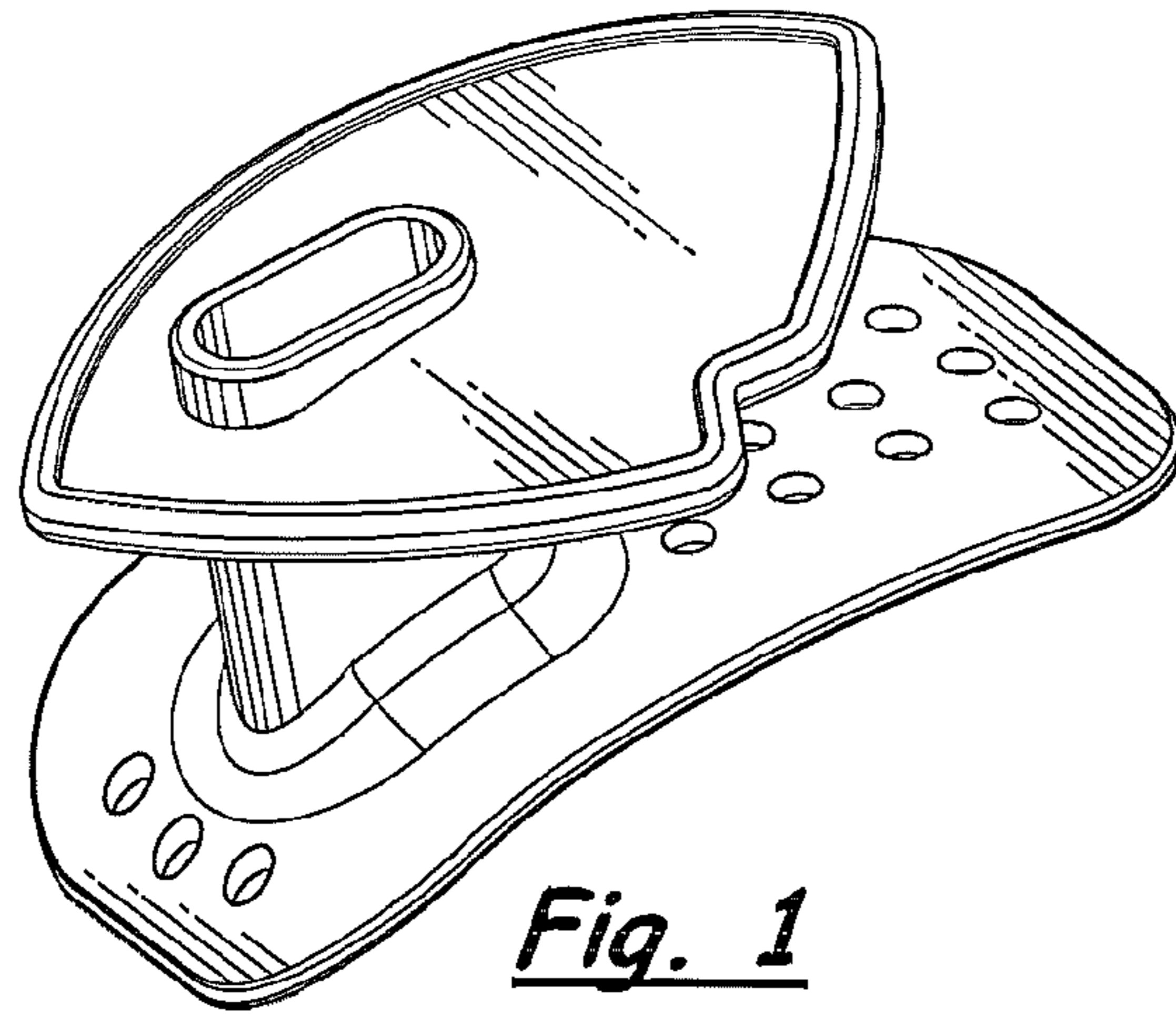
The ornamental design for an oral sleep appliance, as shown and described.

**DESCRIPTION**

FIG. 1 is a front perspective view of an oral sleep appliance. FIG. 2 is a front elevation view of the invention. FIG. 3 is a rear elevation view of the invention. FIG. 4 is a bottom plan view of the invention. FIG. 5 is a right side elevation view of the invention. FIG. 6 is a top plan view of the invention; and, FIG. 7 is a left side elevation view of the invention.

**1 Claim, 2 Drawing Sheets**





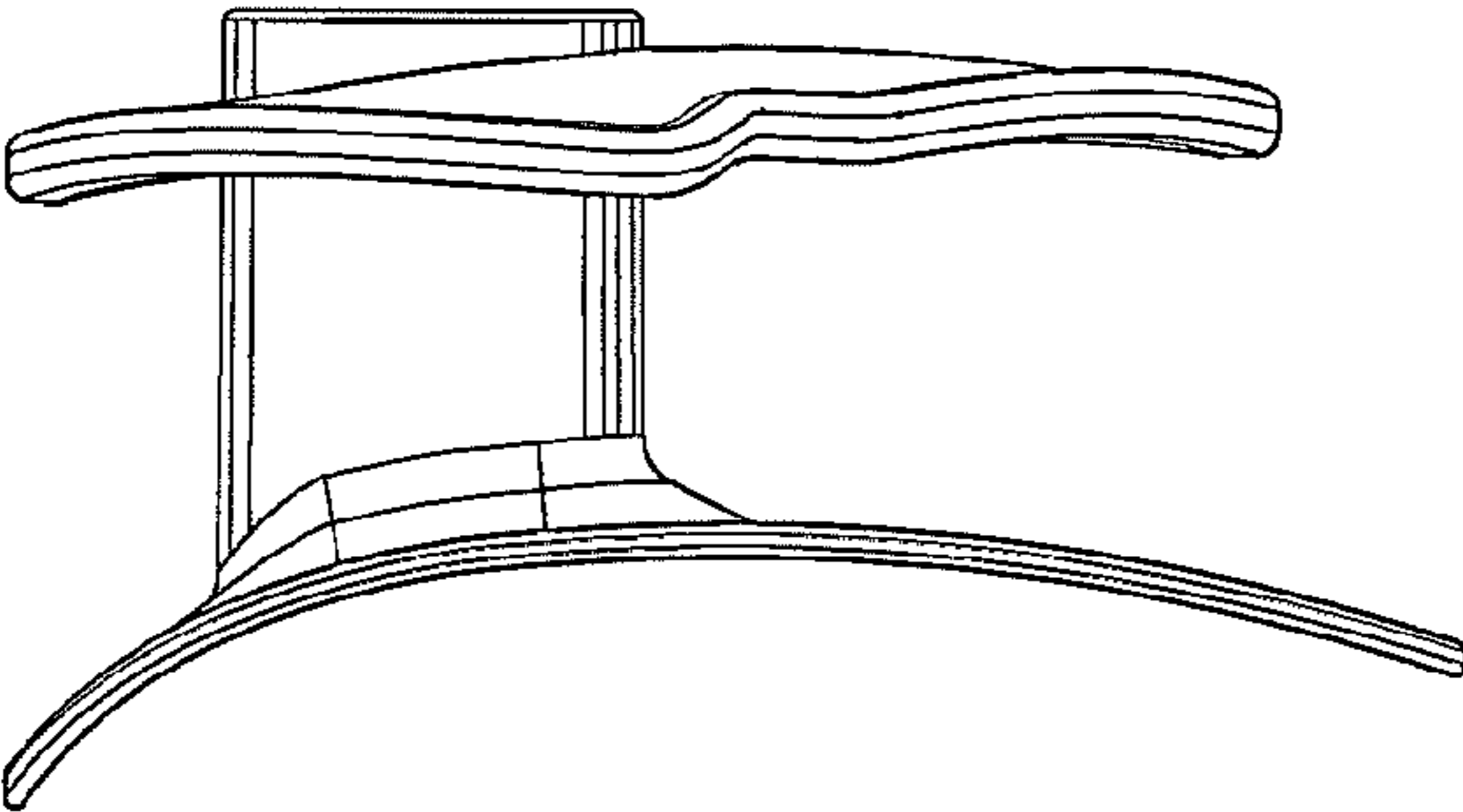


Fig. 4

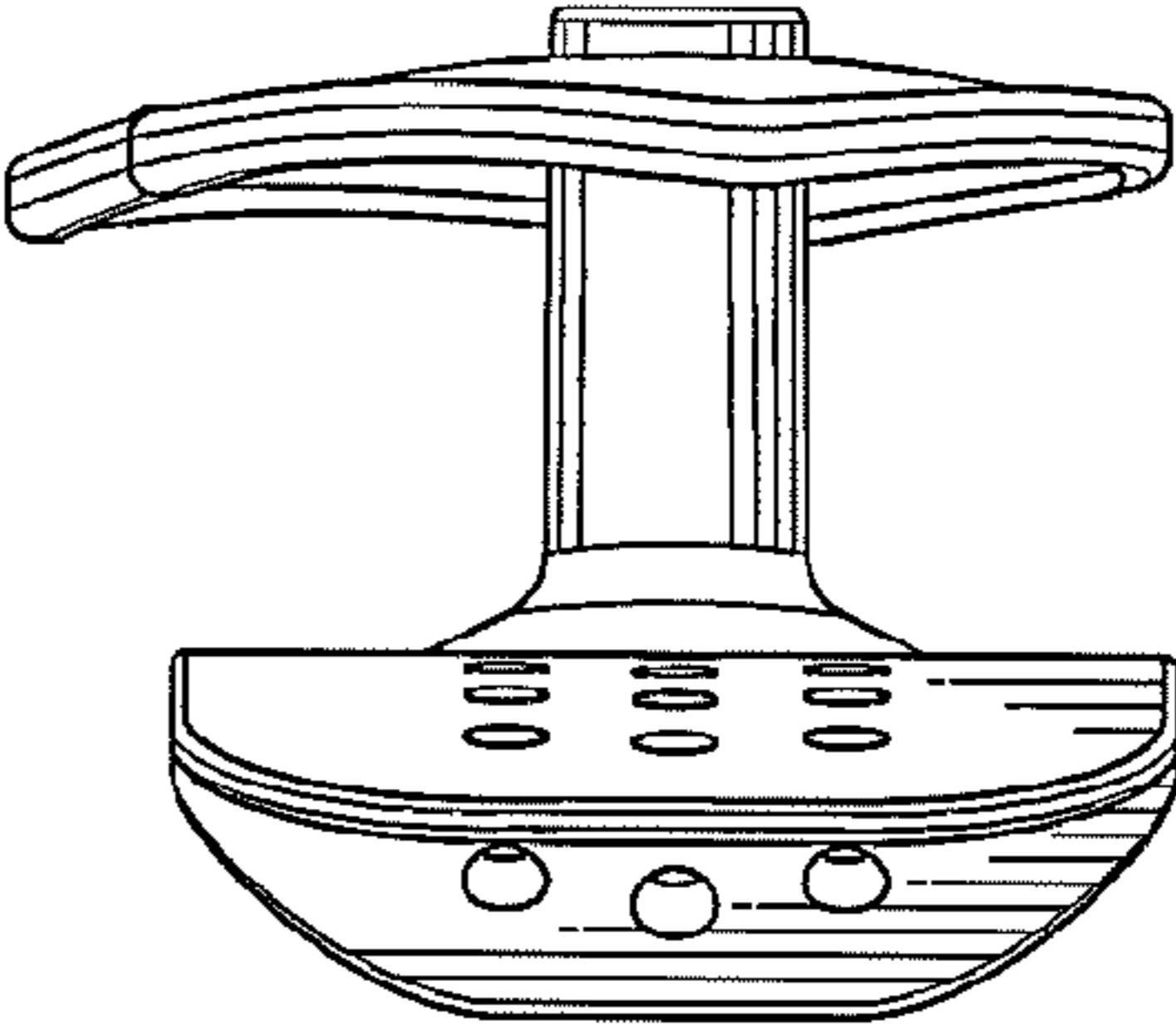


Fig. 5

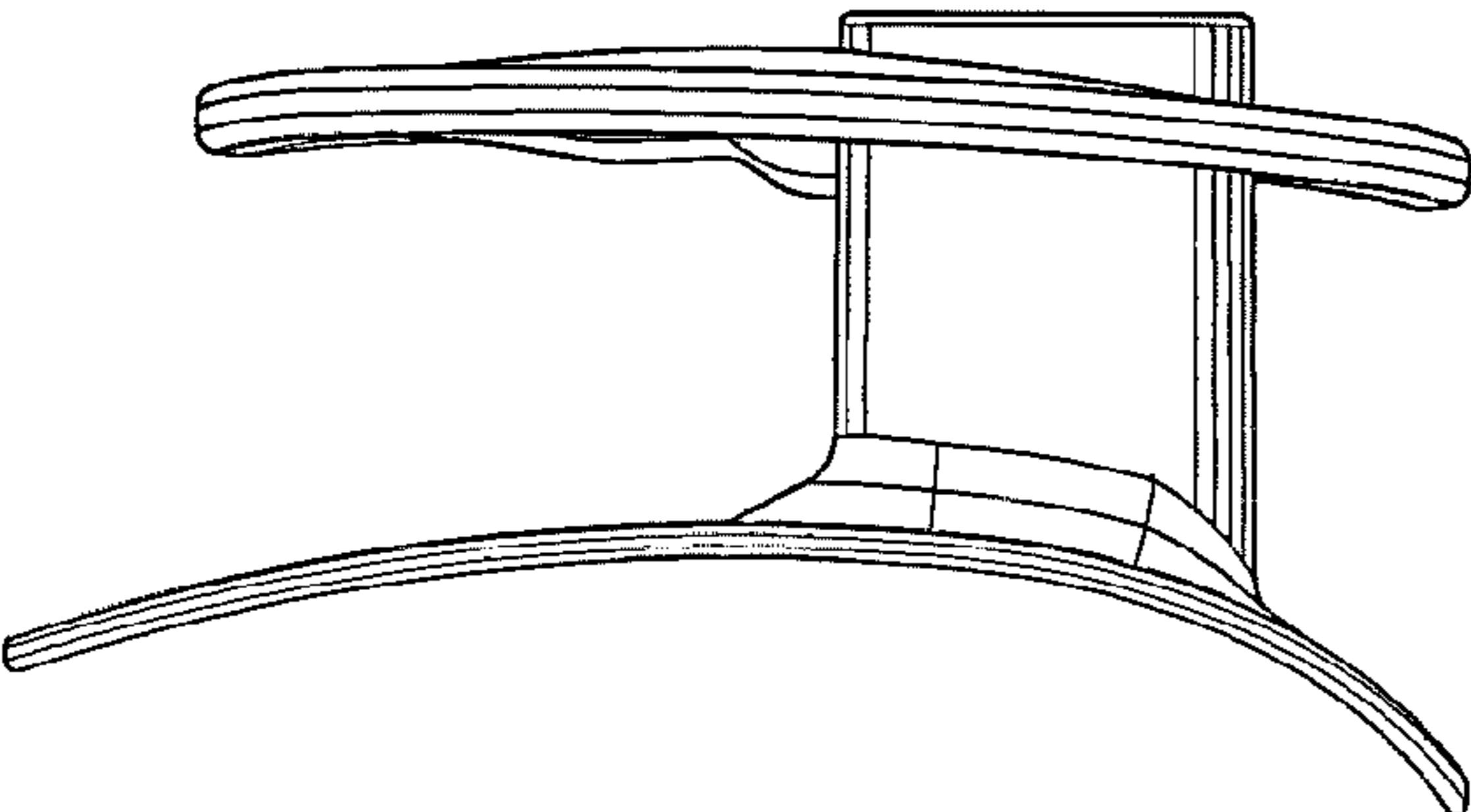


Fig. 6

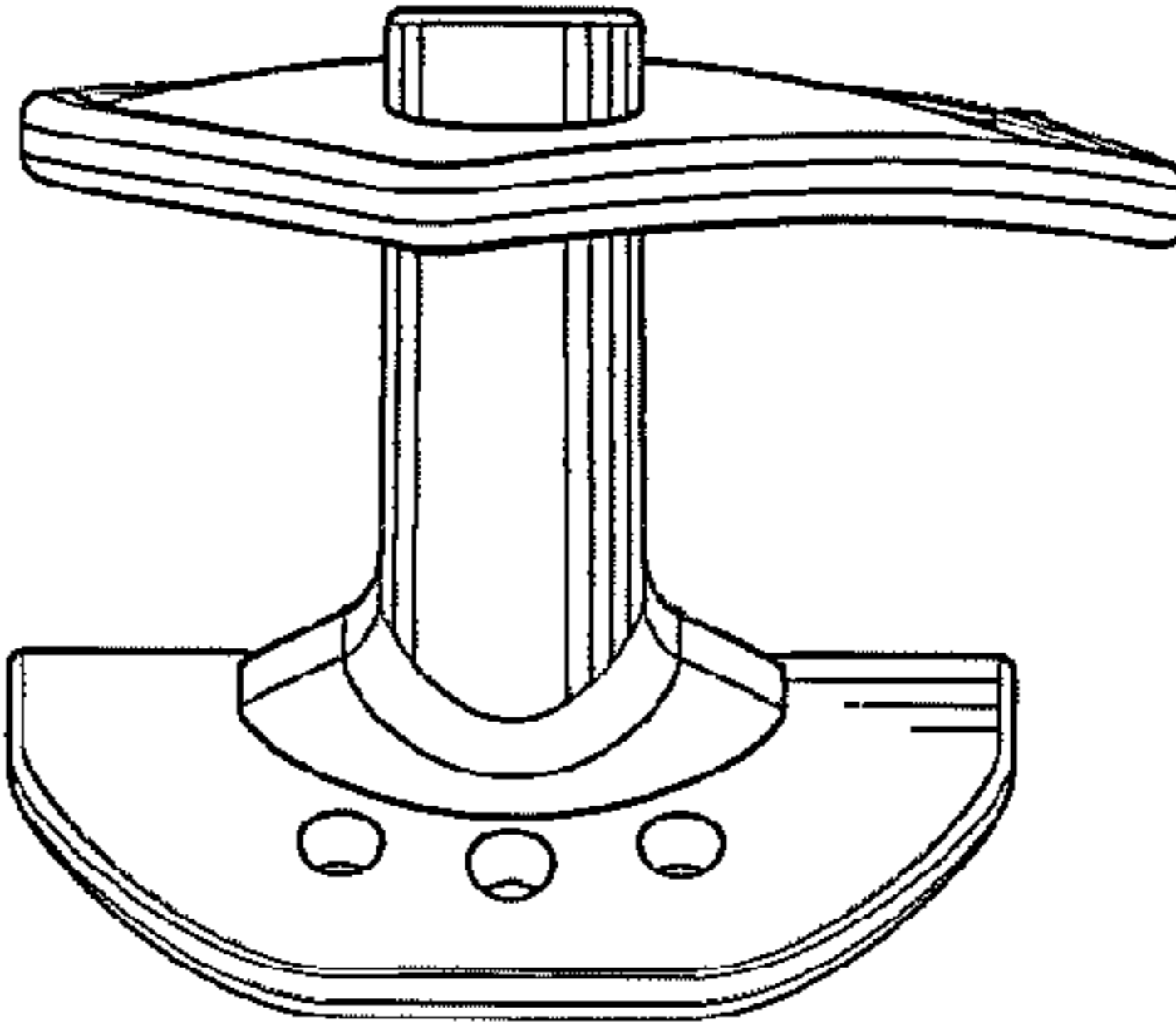


Fig. 7