



US00D724196S

(12) **United States Design Patent**  
**Turner**

(10) **Patent No.:** **US D724,196 S**  
(45) **Date of Patent:** **\*\* Mar. 10, 2015**

- (54) **HEATER BLOCK FOR PRESSURE DIGESTION VESSELS**
- (71) Applicant: **Stingray Group, LLC**, Layton, UT (US)
- (72) Inventor: **Allen Turner**, Layton, UT (US)
- (73) Assignee: **Stingray Group, LLC**, Layton, UT (US)
- (\*\*) Term: **14 Years**
- (21) Appl. No.: **29/476,815**
- (22) Filed: **Dec. 17, 2013**
- (51) **LOC (10) Cl.** ..... **23-03**
- (52) **U.S. Cl.**  
USPC ..... **D23/415**
- (58) **Field of Classification Search**  
USPC ..... D23/405, 407, 409, 410, 415-422, 499,  
D23/403; D7/403, 404, 407; D13/100;  
44/530, 550; 126/39 E, 144, 148, 242,  
126/243, 258, 500, 540; D24/230; 219/521,  
219/702; 436/174  
See application file for complete search history.

(56) **References Cited**

**U.S. PATENT DOCUMENTS**

3,141,948	A *	7/1964	Young	.....	219/494
3,388,807	A *	6/1968	Emmitt	.....	211/74
4,487,316	A *	12/1984	Calhoun et al.	.....	206/443
D288,233	S *	2/1987	Blatherwick et al.	.....	D24/230
5,399,840	A *	3/1995	Goeddeke	.....	219/521
D359,126	S *	6/1995	Hovatter	.....	D24/227
6,106,784	A *	8/2000	Lund et al.	.....	422/109
6,168,914	B1 *	1/2001	Campbell et al.	.....	506/30
6,274,091	B1 *	8/2001	Mohan et al.	.....	422/537
D448,854	S *	10/2001	Kuiper et al.	.....	D24/230
6,337,212	B1 *	1/2002	Nagle et al.	.....	436/174
6,479,300	B1 *	11/2002	Jiang et al.	.....	436/518
6,569,687	B2 *	5/2003	Doktycz et al.	.....	436/180
6,756,232	B1 *	6/2004	Schermer et al.	.....	436/180
6,878,553	B1 *	4/2005	Li et al.	.....	436/174

6,951,761	B2 *	10/2005	Star et al.	.....	436/174
7,043,968	B1 *	5/2006	Hildebrandt et al.	.....	73/54.28
7,341,872	B1 *	3/2008	Anderson et al.	.....	436/43
7,405,083	B2 *	7/2008	Chen	.....	436/178
D624,661	S *	9/2010	Himmelsbach et al.	.....	D24/230
D628,306	S *	11/2010	Blanc et al.	.....	D24/230
2003/0106492	A1 *	6/2003	Levinson et al.	.....	117/200
2003/0202909	A1 *	10/2003	Atkinson et al.	.....	422/104
2004/0053318	A1 *	3/2004	McWilliams et al.	.....	435/6
2004/0126890	A1 *	7/2004	Gjerde et al.	.....	436/53
2004/0248320	A1 *	12/2004	Santini et al.	.....	436/174
2006/0059838	A1 *	3/2006	Pimental	.....	52/596
2008/0026483	A1 *	1/2008	Oldenburg	.....	436/174

(Continued)

*Primary Examiner* — Karen S Acker

(74) *Attorney, Agent, or Firm* — Pate Peterson, PLLC; Brett Peterson

(57) **CLAIM**

I claim the ornamental design for the heater block for pressure digestion vessels, as shown and described.

**DESCRIPTION**

FIG. 1 is a top perspective view of the heater block for pressure digestion vessels.

FIG. 2 is a front side view of the heater block for pressure digestion vessels.

FIG. 3 is a back side view of the heater block for pressure digestion vessels.

FIG. 4 is a top view of the heater block for pressure digestion vessels.

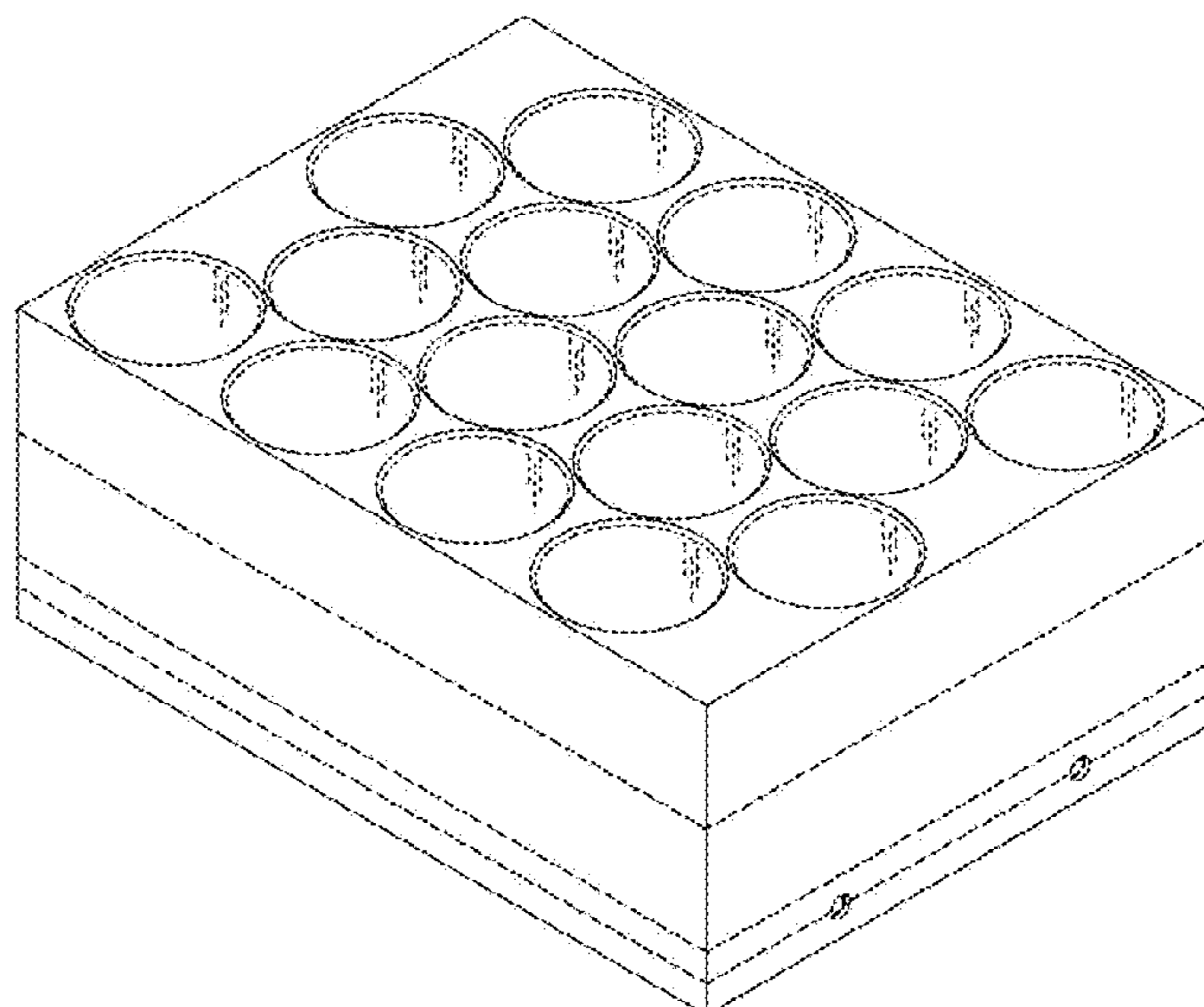
FIG. 5 is a bottom view of the heater block for pressure digestion vessels.

FIG. 6 is a left side view of the heater block for pressure digestion vessels; and,

FIG. 7 is a right side view of the heater block for pressure digestion vessels.

The broken lines in the drawings represent unclaimed portions of the heater block for pressure digestion vessels and form no part of the claimed design.

**1 Claim, 7 Drawing Sheets**



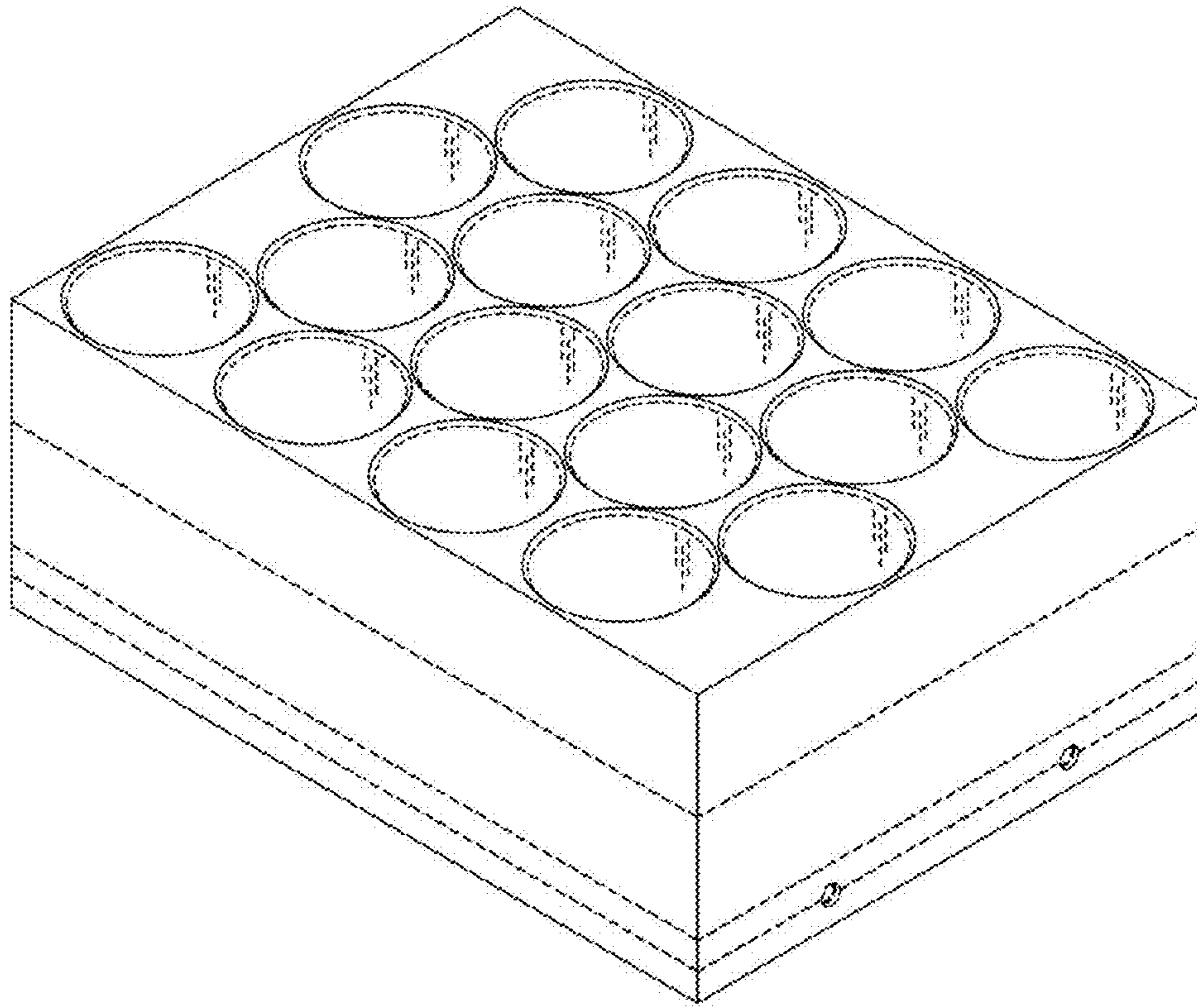
(56)

**References Cited**

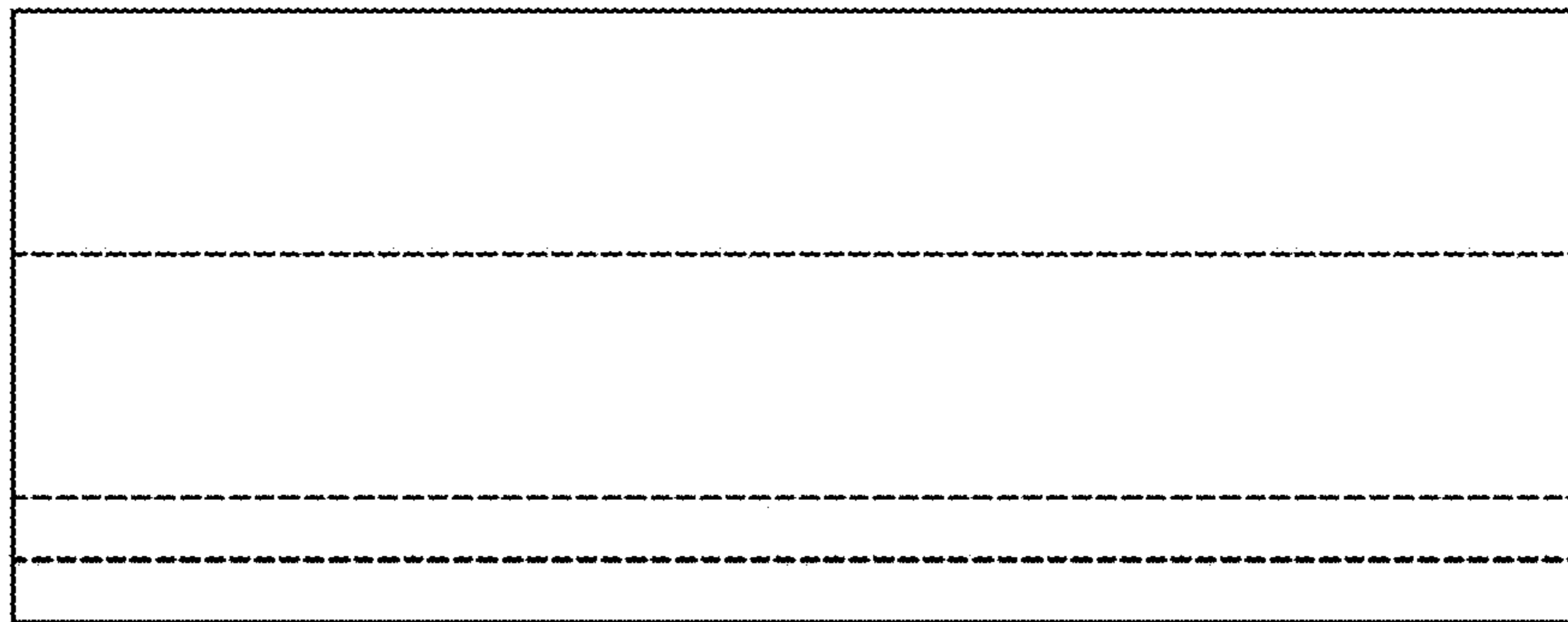
U.S. PATENT DOCUMENTS

2009/0194436	A1 *	8/2009	Bates	.....	206/139	2013/0084227	A1 *	4/2013	Cole et al.	.....	422/562
2009/0263782	A1 *	10/2009	Ward et al.	.....	435/3	2013/0109022	A1 *	5/2013	Hwang	.....	435/6.12
2010/0081191	A1 *	4/2010	Woods	.....	435/303.1	2013/0130084	A1 *	5/2013	Hamada et al.	.....	429/99
2012/0309104	A1 *	12/2012	Uematsu et al.	.....	436/174	2013/0157376	A1 *	6/2013	Nay	.....	436/94
						2013/0344376	A1 *	12/2013	Asaida et al.	.....	429/156

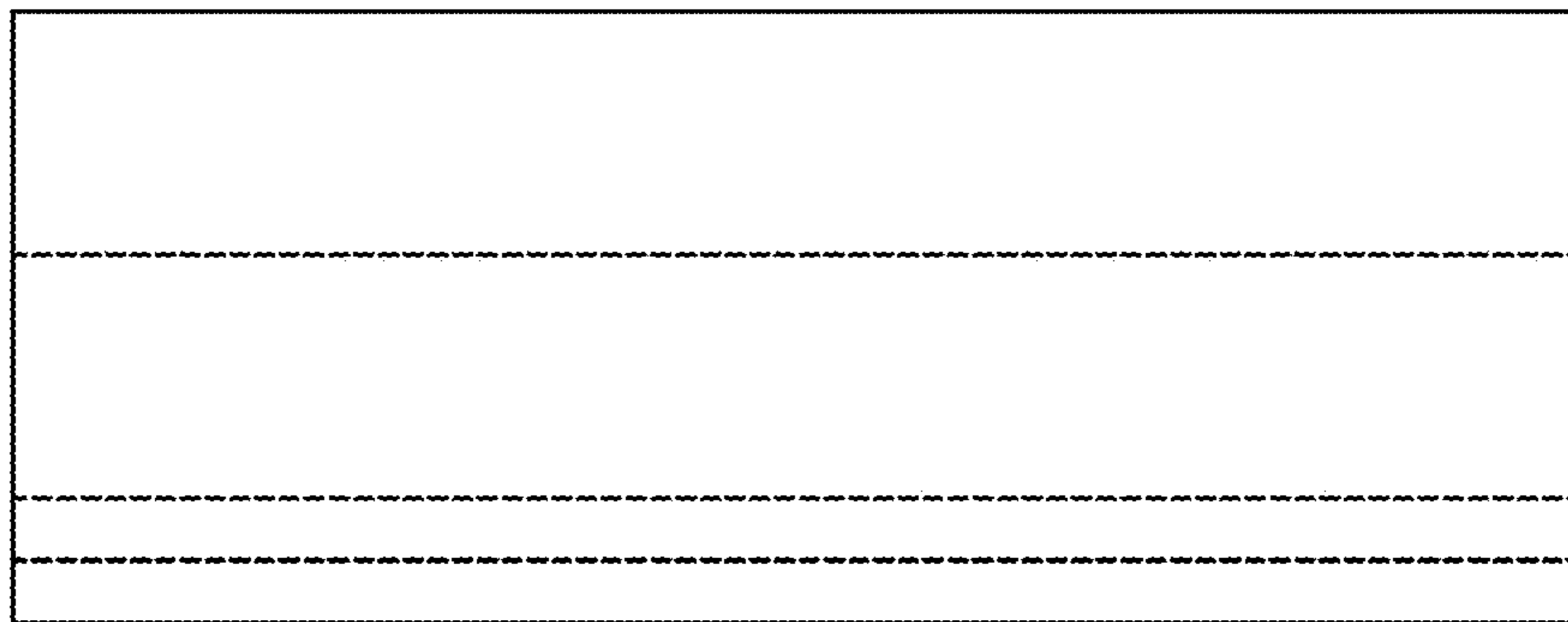
\* cited by examiner



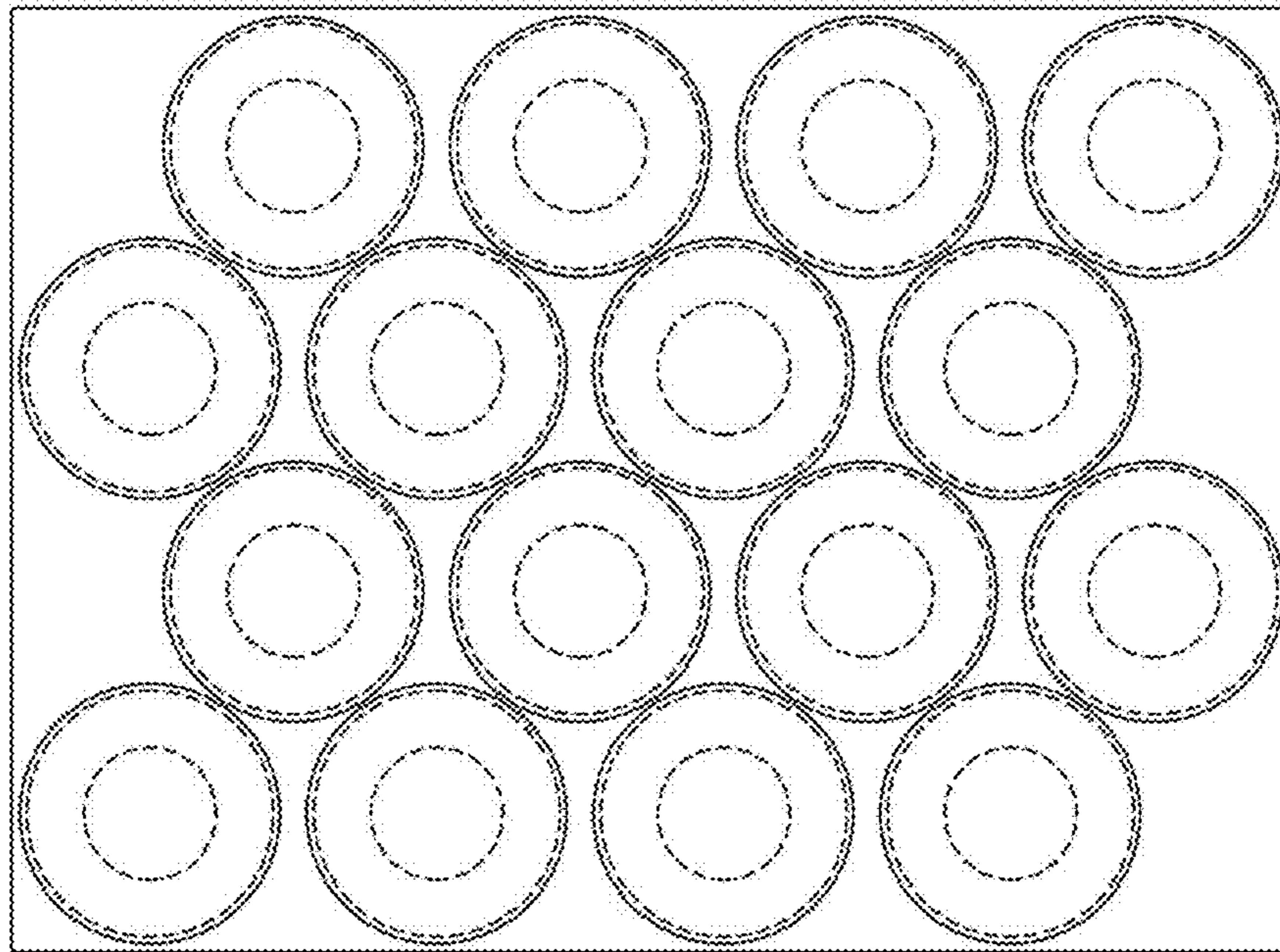
**FIG. 1**



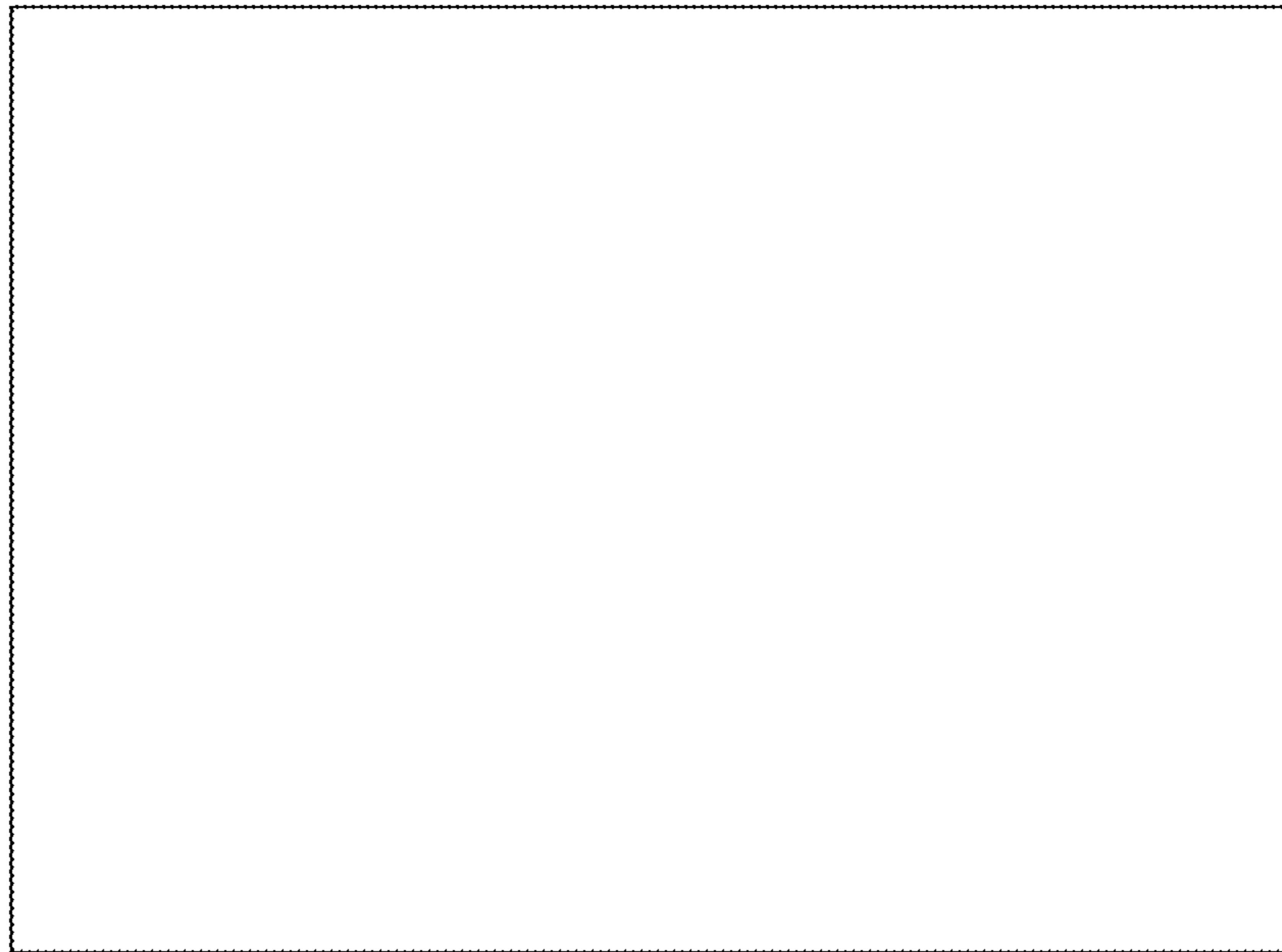
***FIG. 2***



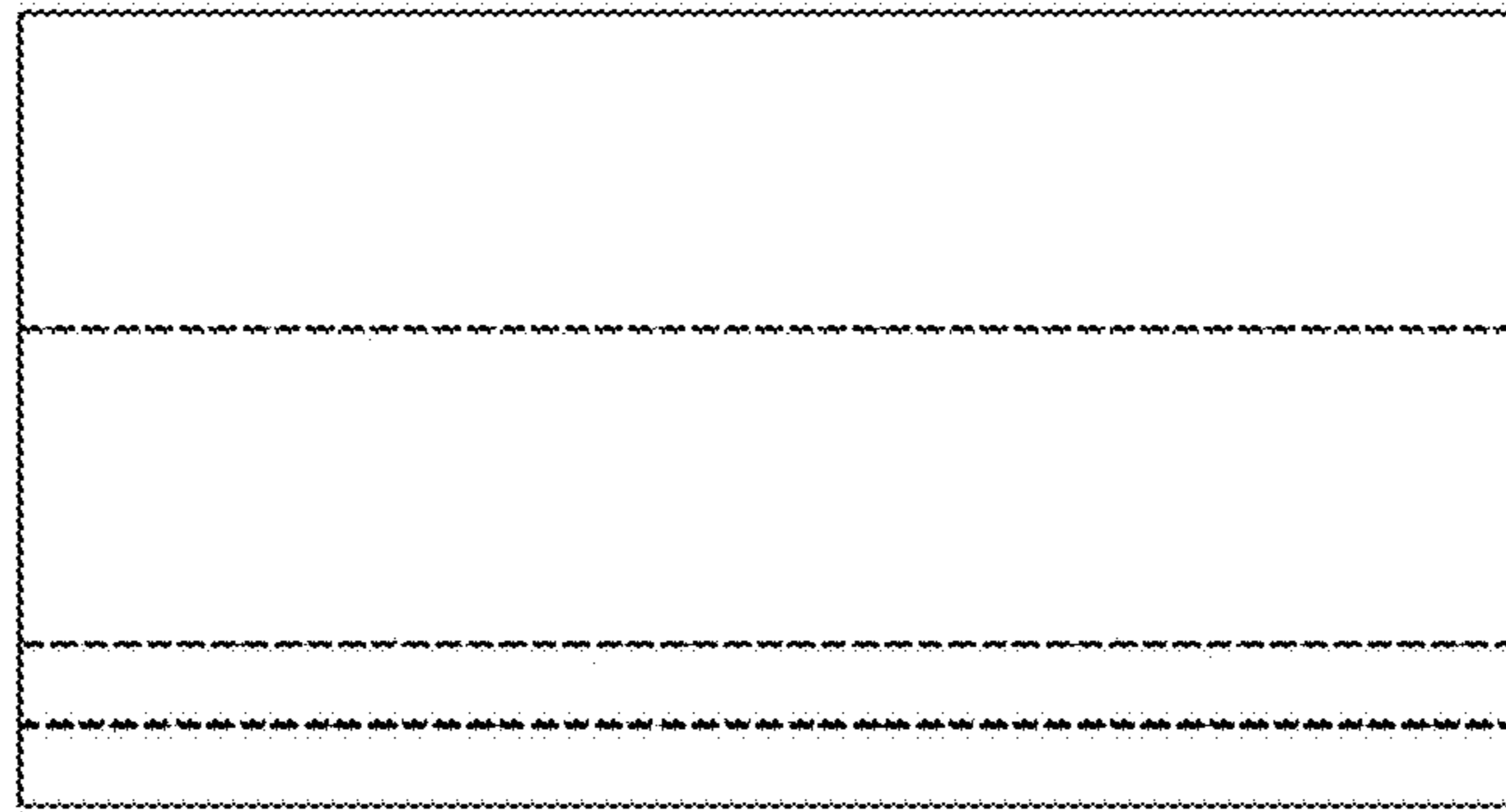
***FIG. 3***



**FIG. 4**

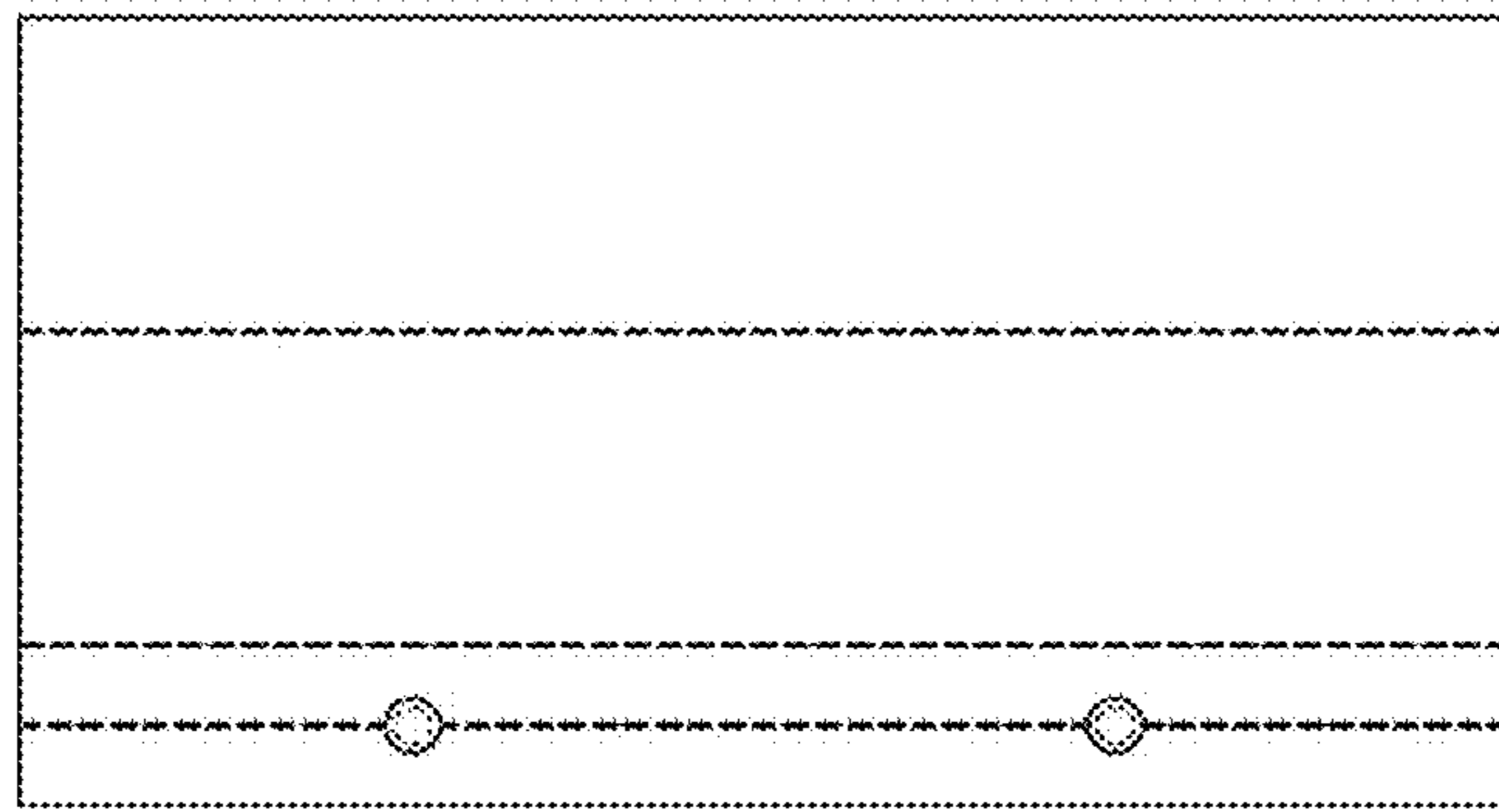


***FIG. 5***



***FIG. 6***





**FIG. 7**