



US00D724195S

(12) **United States Design Patent**  
**Bingham**

(10) **Patent No.:** **US D724,195 S**

(45) **Date of Patent:** **\*\* Mar. 10, 2015**

(54) **WOOD PELLET BURNING SMOKE VENTING AIRFOIL**

(71) Applicant: **Erin Cole Bingham**, McFarland, WI (US)

(72) Inventor: **Erin Cole Bingham**, McFarland, WI (US)

(\*\*) Term: **14 Years**

(21) Appl. No.: **29/440,225**

(22) Filed: **Dec. 20, 2012**

1,977,934	A *	10/1934	Bolton	.....	454/18
3,267,833	A *	8/1966	Artis et al.	.....	454/18
3,460,855	A *	8/1969	Belden	.....	D23/375
3,523,500	A	8/1970	Artis et al.		
3,826,181	A	7/1974	Schrade		
D247,509	S *	3/1978	Rousey	.....	D23/375
4,103,600	A	8/1978	Bridge		
4,144,802	A *	3/1979	Babin	.....	454/353
4,325,291	A	4/1982	Paynton et al.		
D326,702	S *	6/1992	Demarest	.....	D22/119
5,595,030	A *	1/1997	Pulscher	.....	52/244
D380,044	S *	6/1997	Tobias	.....	D23/375
6,306,030	B1 *	10/2001	Wilson	.....	454/16
8,298,053	B2 *	10/2012	Parry	.....	454/33
8,474,395	B2 *	7/2013	Meredith et al.	.....	118/254

\* cited by examiner

**Related U.S. Application Data**

(63) Continuation-in-part of application No. 12/185,053, filed on Aug. 1, 2008, now abandoned, and a continuation-in-part of application No. 29/401,642, filed on Sep. 13, 2011, now abandoned.

(51) **LOC (10) Cl.** ..... **23-04**

(52) **U.S. Cl.**  
USPC ..... **D23/393**

(58) **Field of Classification Search**  
USPC ..... D23/375, 386, 387, 388, 390, 391, 393;  
D22/119; 52/244; 285/44; 454/3, 16,  
454/18, 33

See application file for complete search history.

(56) **References Cited**

**U.S. PATENT DOCUMENTS**

116,864	A *	7/1871	Pettingell	.....	52/244
293,526	A *	2/1884	Scholl	.....	454/3
305,852	A *	9/1884	Scholl	.....	454/34
379,216	A *	3/1888	Goettel	.....	454/18
506,812	A *	10/1893	Chappel	.....	454/36
538,366	A	4/1895	Cooper		
656,258	A *	8/1900	McLaughlin	.....	52/244
1,702,120	A *	2/1929	Kimball	.....	D23/375
1,811,323	A *	6/1931	Lejay	.....	454/39
1,965,171	A *	7/1934	Boyer	.....	454/16

*Primary Examiner* — Cathy A MacCormac

(74) *Attorney, Agent, or Firm* — Loyd W. Bonneville Patent Attorney

(57) **CLAIM**

The ornamental design for a wood pellet burning smoke venting airfoil.

**DESCRIPTION**

FIG. 1 is an exploded perspective view of a wood pellet burning smoke venting airfoil.

FIG. 2 is a perspective view thereof.

FIG. 3 is an enlarged front view thereof, the rear view being identical.

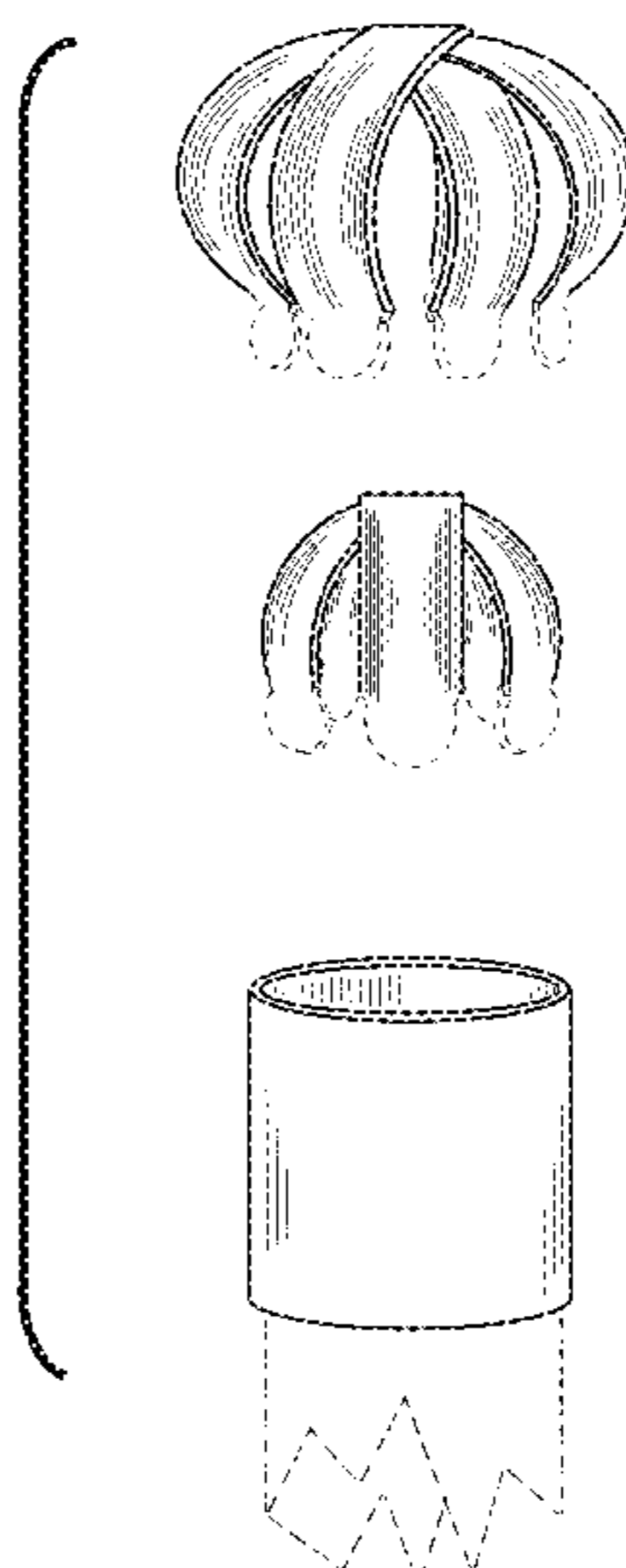
FIG. 4 is an enlarged right side view of FIG. 3, the left side view being identical.

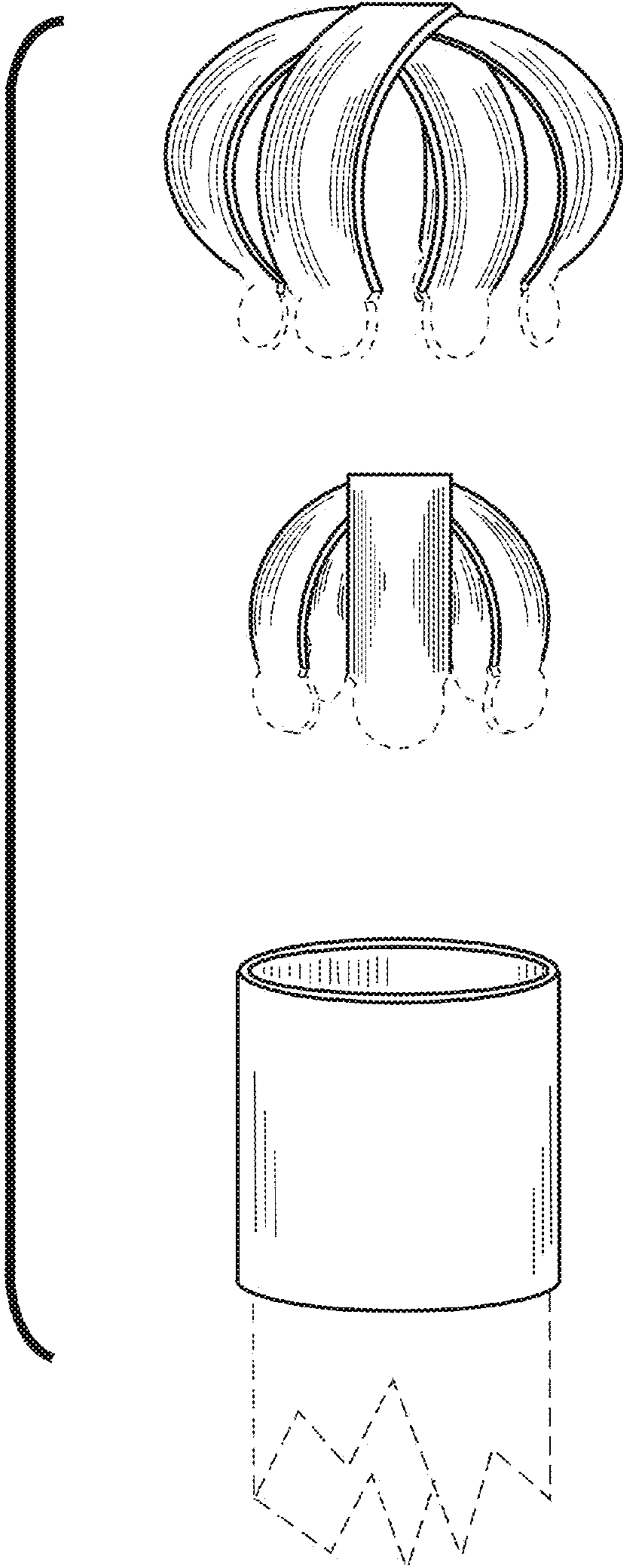
FIG. 5 is an enlarged top view of FIG. 3; and,

FIG. 6 is an enlarged bottom view of FIG. 3.

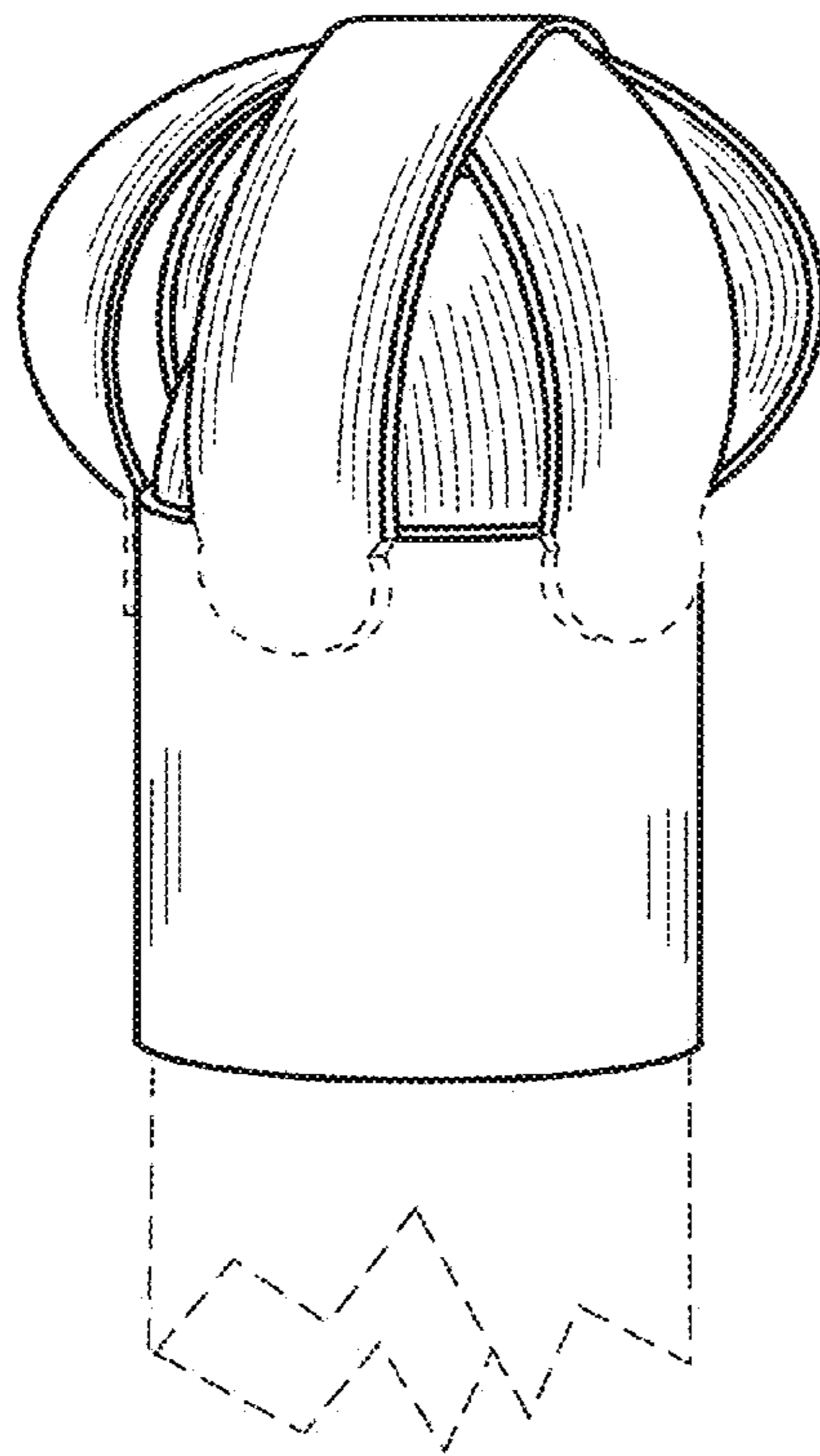
The broken lines in FIGS. 1-4, and 6 illustrate environmental structure only which form no part of the claimed design. The broken lines at the bottom of FIGS. 1 and 2 illustrate a smokestack of a pellet burning stove, are for illustration only and form no part of the claimed design.

**1 Claim, 6 Drawing Sheets**





**FIG 1**



**FIG 2**

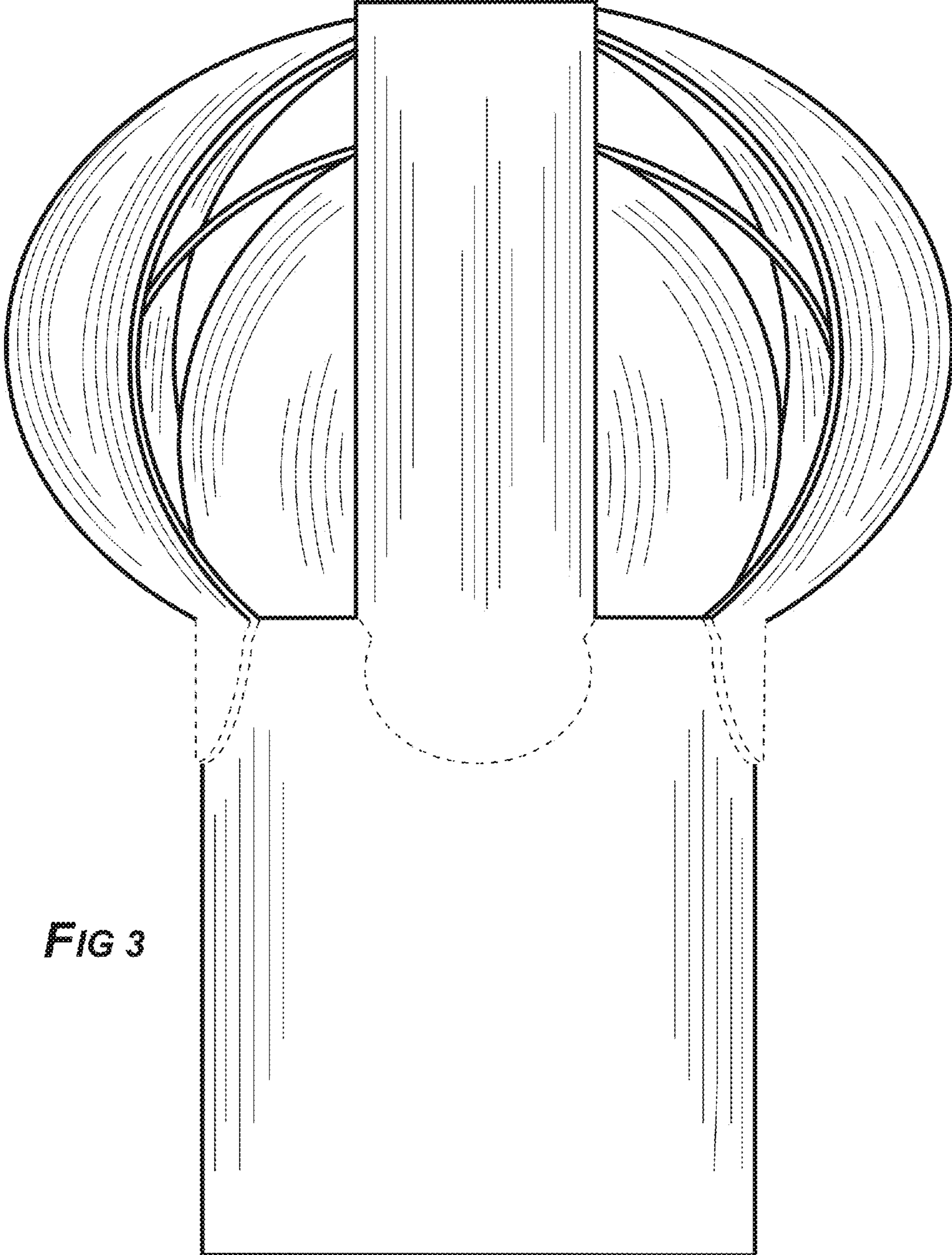
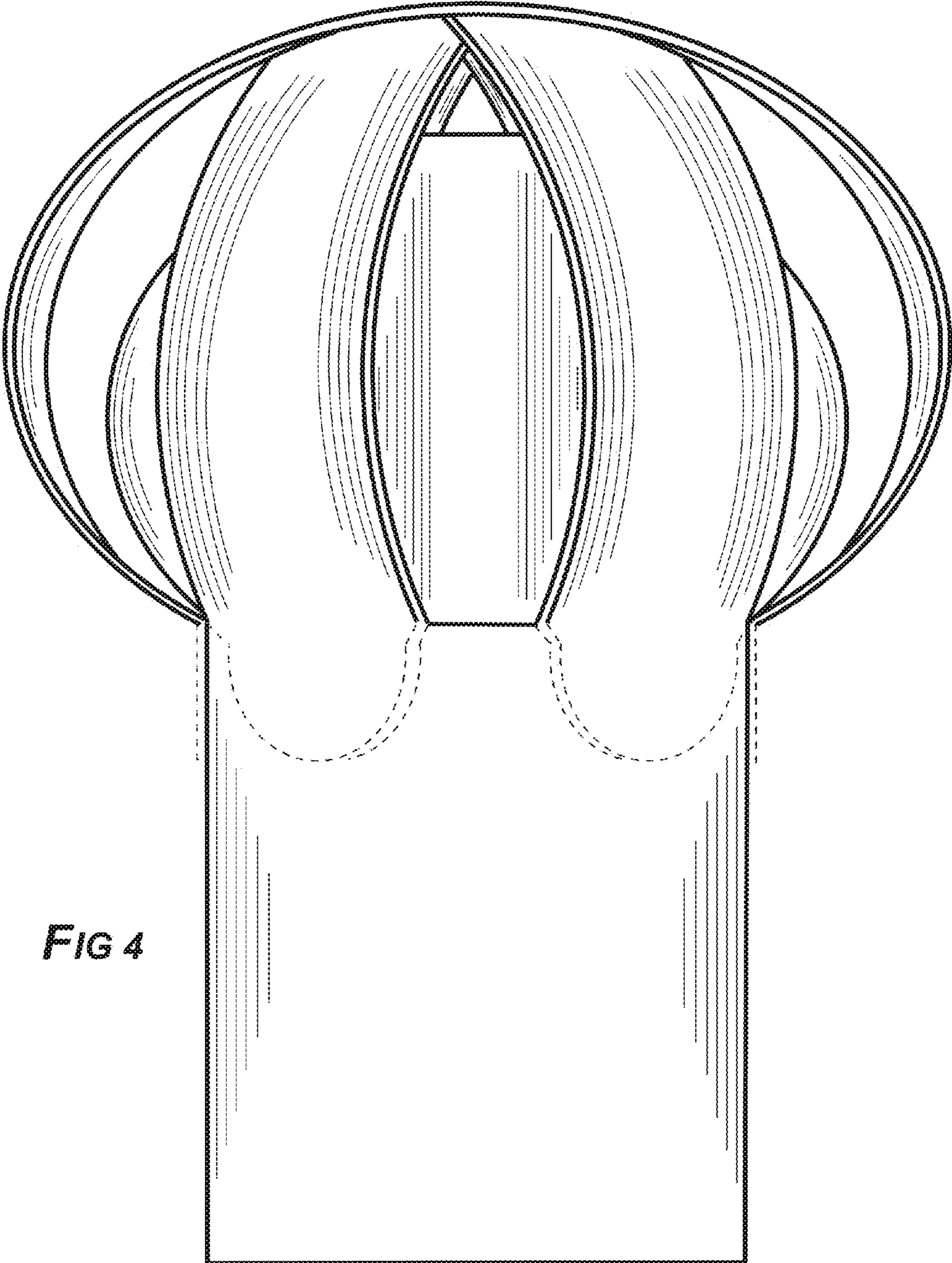
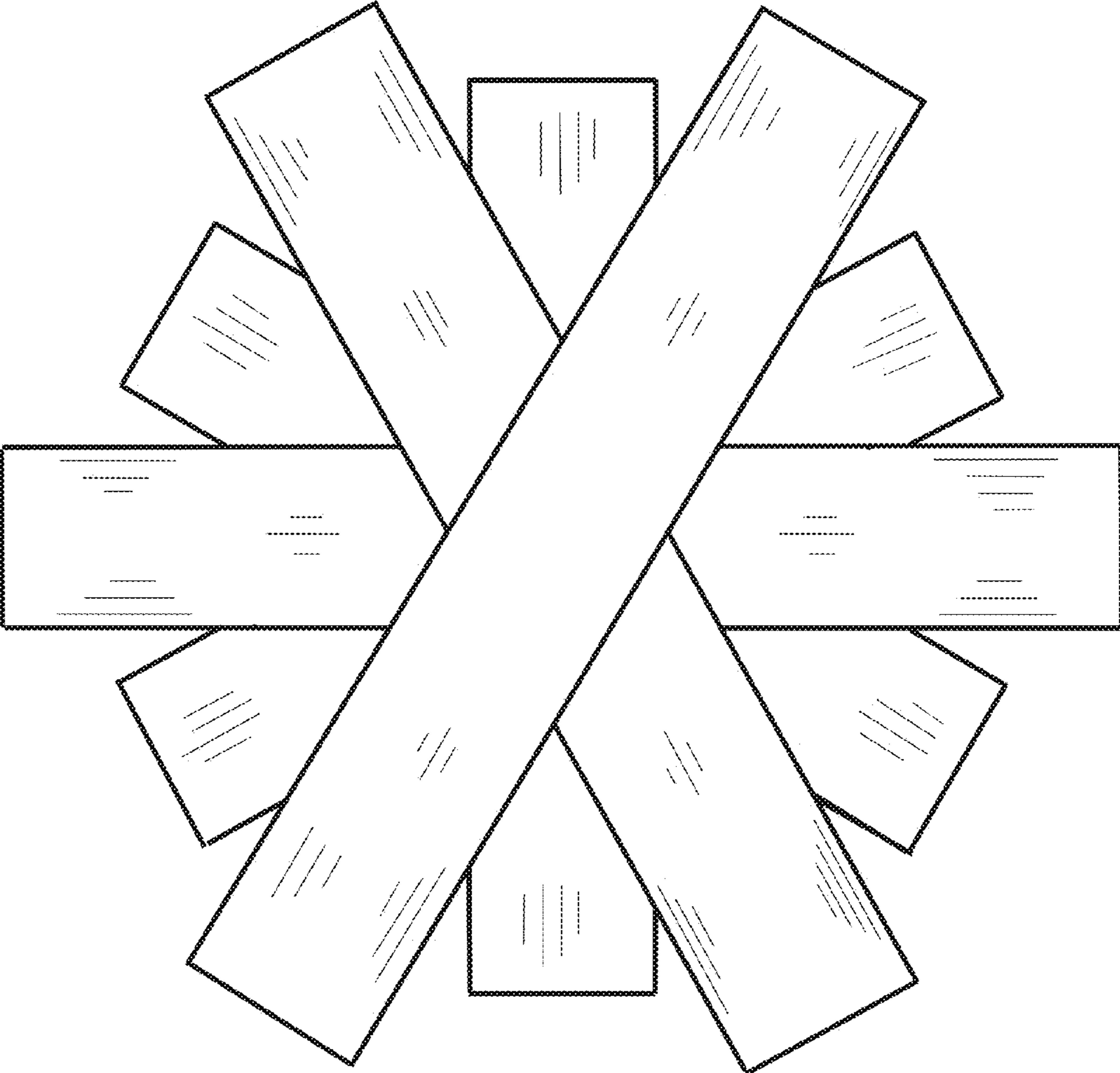


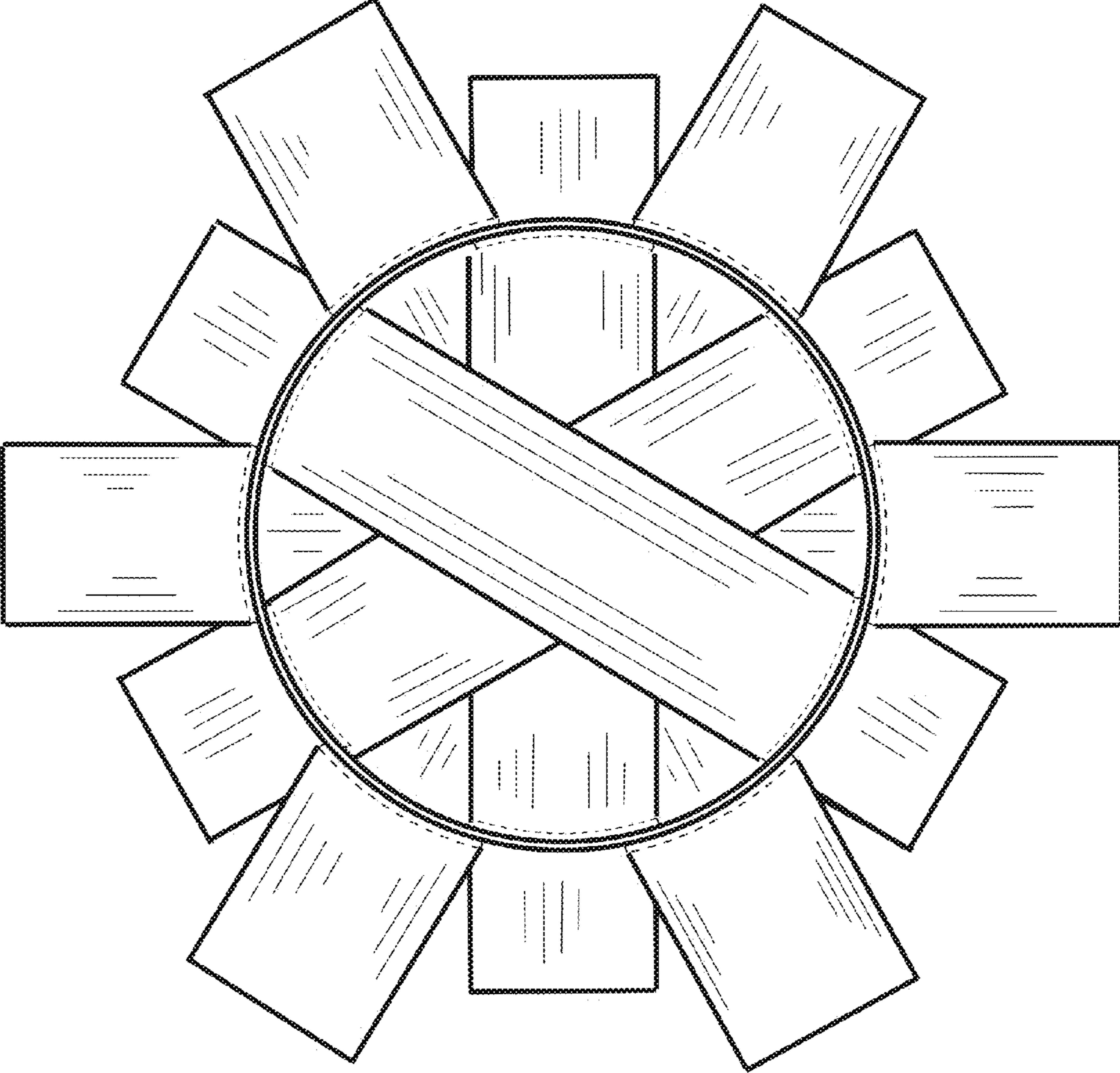
FIG 3



**FIG 4**



**FIG 5**



*FIG 6*