



US00D724194S

(12) **United States Design Patent**
Gelain

(10) **Patent No.:** **US D724,194 S**
(45) **Date of Patent:** **** Mar. 10, 2015**

(54) **POWDER SPRAY BOOTH**
(75) Inventor: **Silvano Gelain**, Abtwil (CH)
(73) Assignee: **Gema Switzerland GmbH**, St. Gallen (CH)
(**) Term: **14 Years**
(21) Appl. No.: **29/419,843**
(22) Filed: **May 2, 2012**

3,904,526	A *	9/1975	Szczepanski	210/196
4,409,009	A *	10/1983	Lissy	55/302
D285,719	S *	9/1986	Conlon	D23/371
D296,712	S *	7/1988	Bianchetti	D23/371
D323,707	S *	2/1992	Fay	D23/371
D325,078	S *	3/1992	Fay	D23/371
5,584,899	A *	12/1996	Shorts	55/323
D387,859	S *	12/1997	Ukai et al.	D23/371
D394,101	S *	5/1998	Hayashi et al.	D23/370
D404,122	S *	1/1999	Hayashi et al.	D23/370
2004/0055705	A1 *	3/2004	Shutic et al.	156/307.1
2005/0034380	A1 *	2/2005	Shutic	52/79.1
2007/0144430	A1 *	6/2007	Von Keudell	118/309
2013/0042805	A1 *	2/2013	Shutic	118/308

* cited by examiner

(30) **Foreign Application Priority Data**
Nov. 2, 2011 (EM) 001300248
(51) **LOC (10) Cl.** **23-04**
(52) **U.S. Cl.**
USPC **D23/371**
(58) **Field of Classification Search**
USPC D23/371, 385, 370; D7/323-700;
210/796, 407; 118/309, 308, 313, 312,
118/501, 634, 236, 326, 603; 454/53, 50;
55/302, 431, 79.1
See application file for complete search history.

Primary Examiner — Eric Goodman
Assistant Examiner — Ryan Harvey
(74) *Attorney, Agent, or Firm* — Lowe Hauptman & Ham LLC

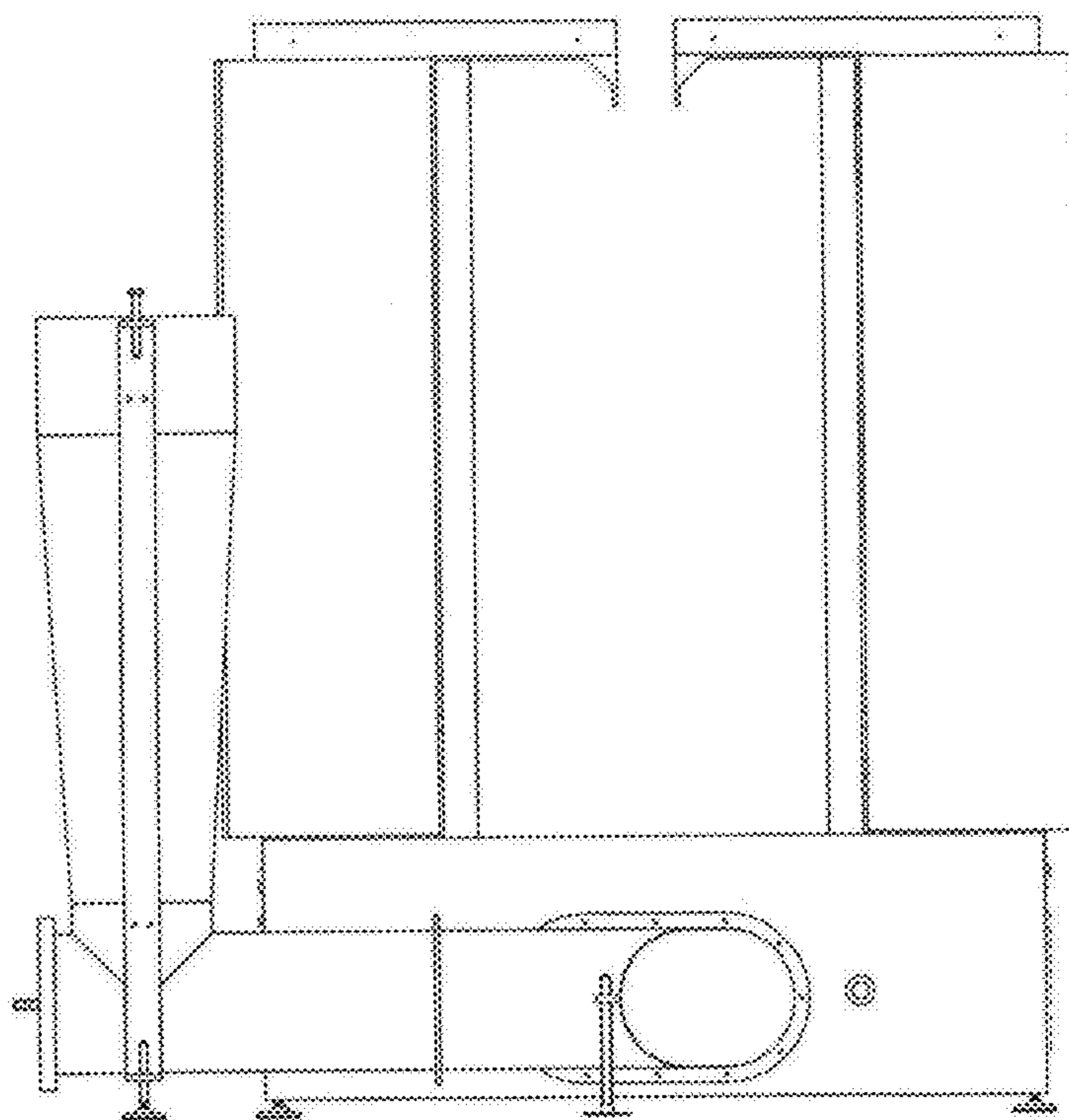
(57) **CLAIM**
The ornamental design for a powder spray booth, as shown and described.

DESCRIPTION

FIG. 1 is a front view of a powder spray booth;
FIG. 2 is a front perspective view of the powder spray booth of FIG. 1; and,
FIG. 3 is a top plan view of the powder spray booth of FIG. 1. The broken lines illustrate portions of the article that form no part of the claimed design.

1 Claim, 3 Drawing Sheets

(56) **References Cited**
U.S. PATENT DOCUMENTS
3,814,002 A * 6/1974 Rombach et al. 454/53
3,824,912 A * 7/1974 Jensen et al. 454/50



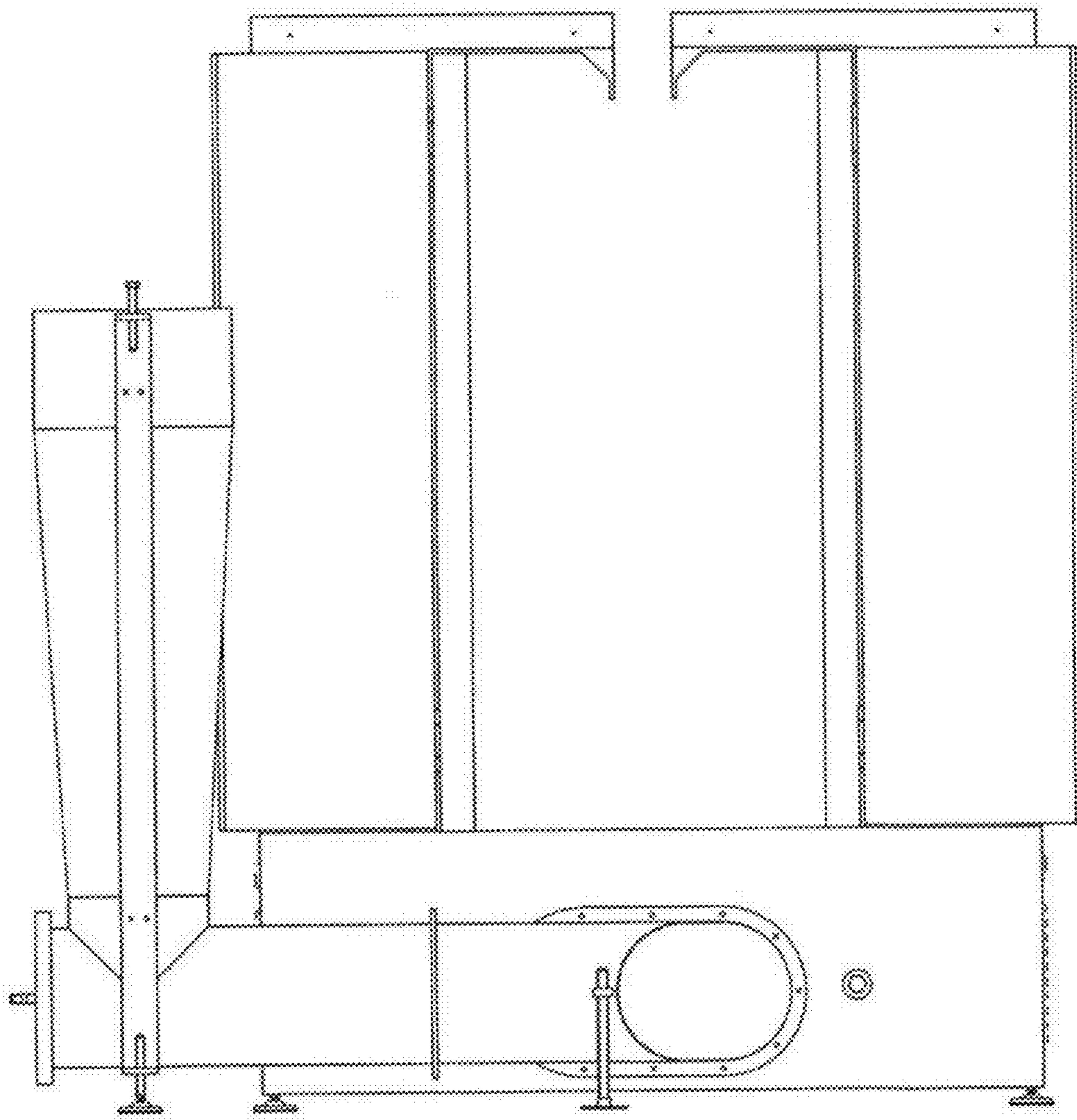


FIG. 1

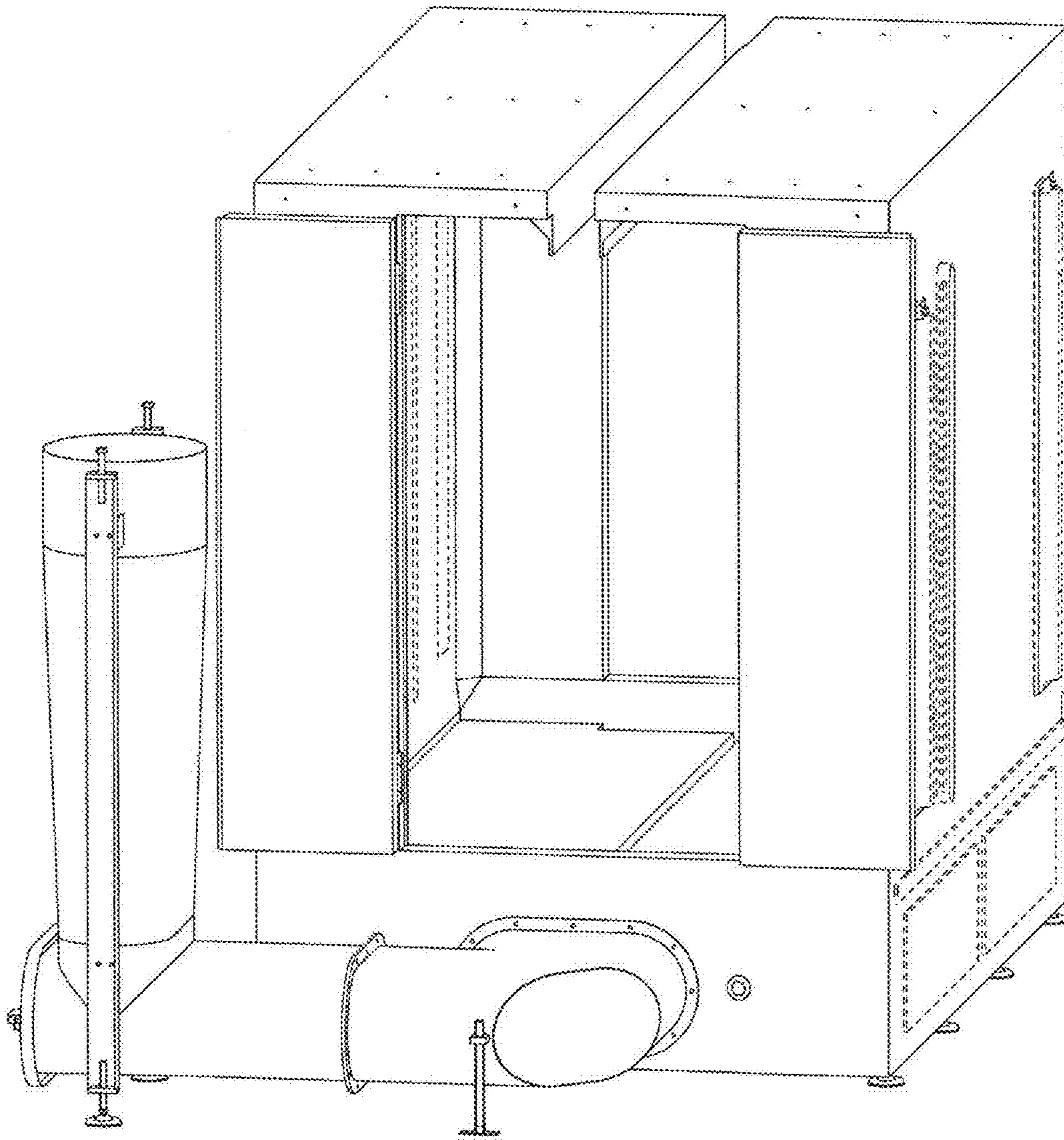


FIG. 2

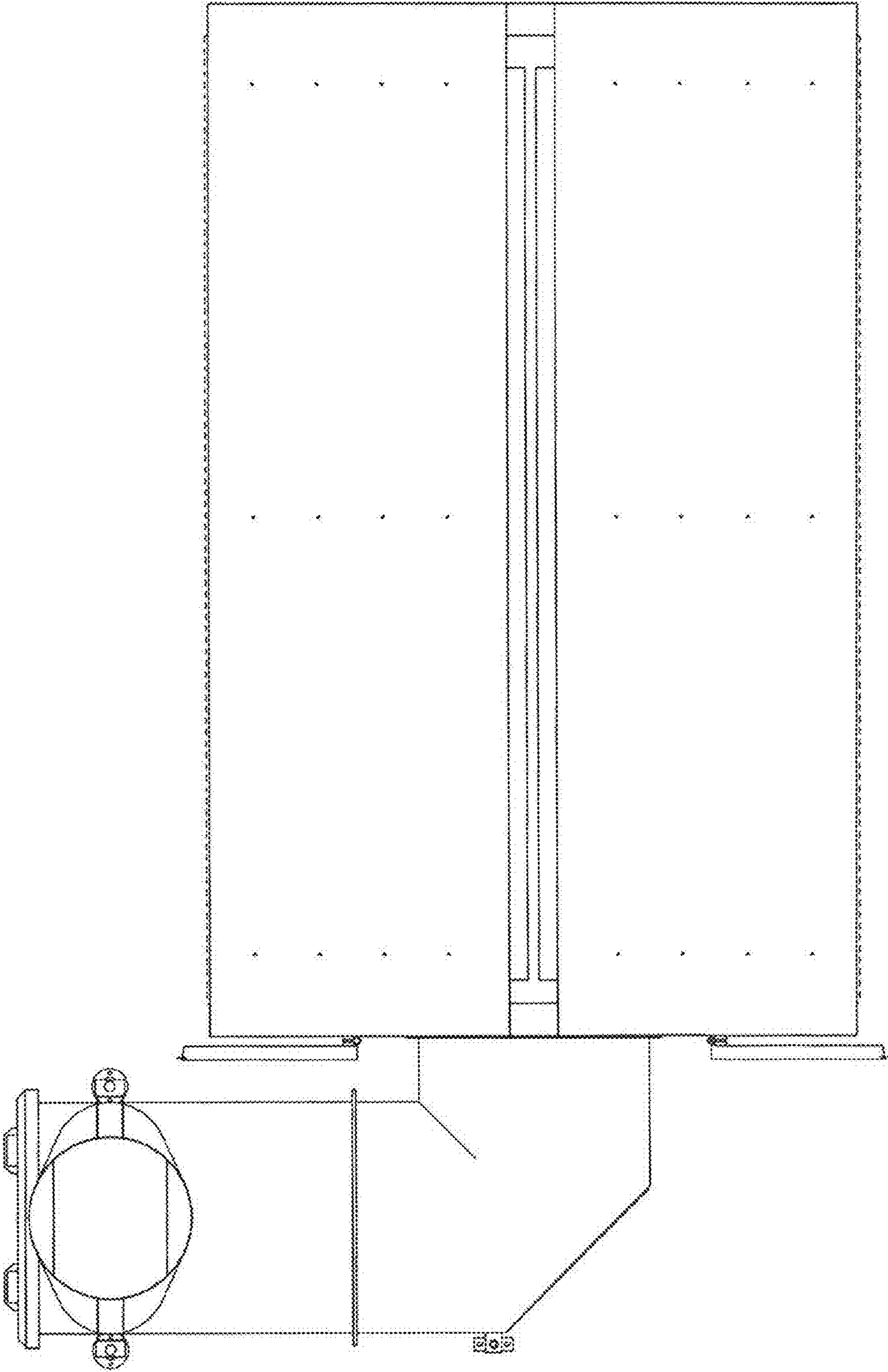


FIG. 3