



US00D724193S

(12) **United States Design Patent**
Esses

(10) **Patent No.:** **US D724,193 S**
(45) **Date of Patent:** **** Mar. 10, 2015**

(54) **AIR FRESHENER**

(71) Applicant: **Alfred Esses**, Brooklyn, NY (US)

(72) Inventor: **Alfred Esses**, Brooklyn, NY (US)

(**) Term: **14 Years**

(21) Appl. No.: **29/497,624**

(22) Filed: **Jul. 25, 2014**

(51) **LOC (10) Cl.** **28-99**

(52) **U.S. Cl.**
USPC **D23/366**

(58) **Field of Classification Search**
USPC D23/355-369; D28/5, 6; 261/DIG. 17,
261/DIG. 42, DIG. 65, DIG. 88, DIG. 89;
392/386, 390, 394, 395; 239/34, 44,
239/53, 55, 56, 326; D26/14, 17, 98, 9, 22,
D26/24; D11/131.1; D7/509, 522, 524, 537
See application file for complete search history.

(56) **References Cited**

U.S. PATENT DOCUMENTS

4,391,781	A *	7/1983	van Lit	422/125
4,467,177	A *	8/1984	Zobeles	392/392
6,099,137	A	8/2000	McCormack	
D539,407	S *	3/2007	Zobeles	D23/366
D540,931	S *	4/2007	Luo	D23/366
D544,950	S *	6/2007	Zobeles	D23/366
D551,333	S *	9/2007	Wu	D23/366
D587,362	S *	2/2009	Weggelaar	D23/366

FOREIGN PATENT DOCUMENTS

CN	200947724	Y	9/2007
CN	202950996	U	5/2013
GB	2292271	A	2/1996

* cited by examiner

Primary Examiner — Sandra Snapp

(74) *Attorney, Agent, or Firm* — Moritt Hock & Hamroff LLP; Steven S. Rubin, Esq.

(57) **CLAIM**

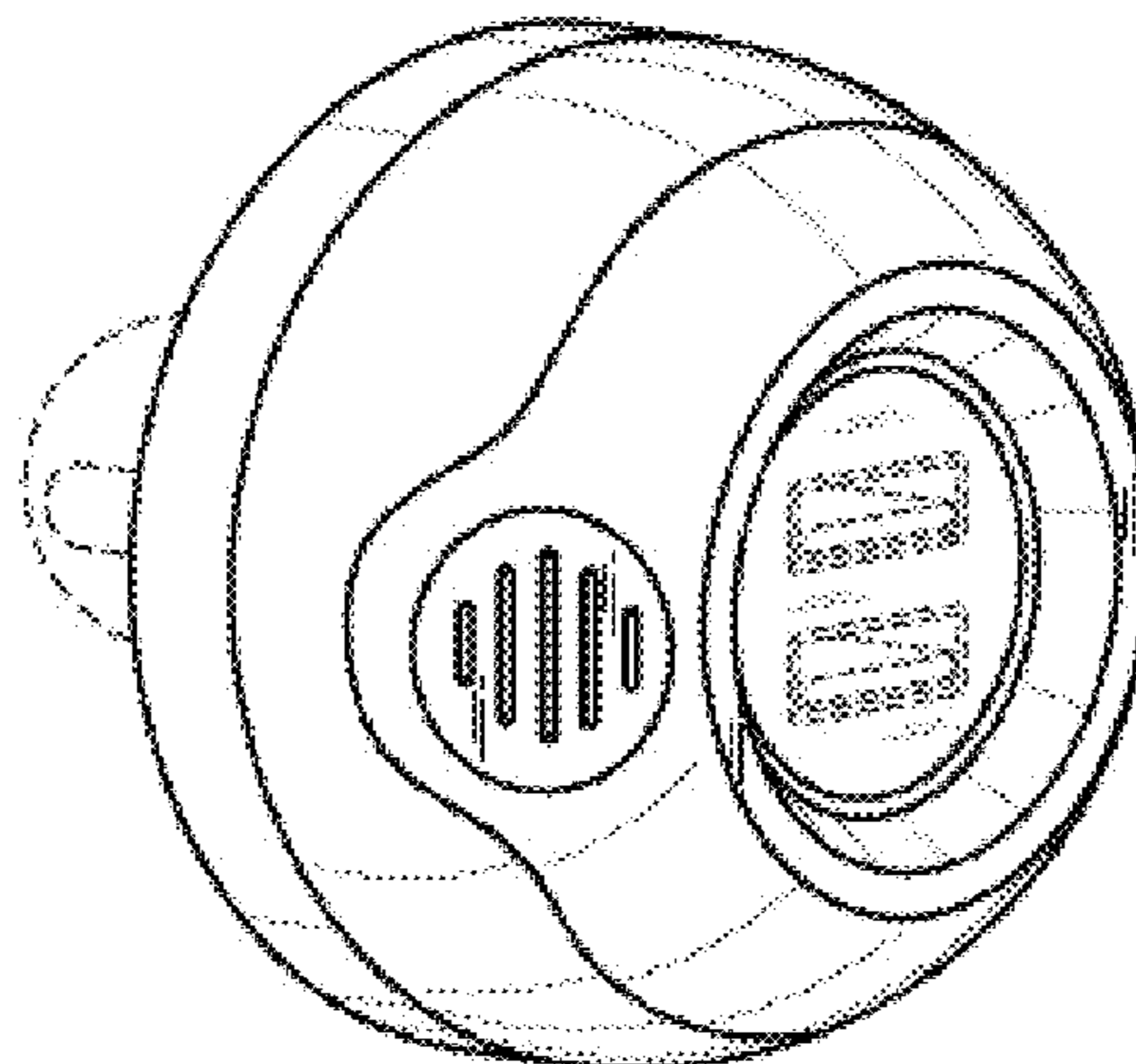
The ornamental design for an air freshener, as shown and described.

DESCRIPTION

FIG. 1 is a front isometric view of a first embodiment of an air freshener;
 FIG. 2 is a front elevation view of the first embodiment thereof;
 FIG. 3 is a left side elevation view of the first embodiment thereof;
 FIG. 4 is a right side elevation view of the first embodiment thereof;
 FIG. 5 is a top plan view of the first embodiment thereof;
 FIG. 6 is a bottom plan view of the first embodiment thereof;
 FIG. 7 is a back elevation view of the first embodiment thereof;
 FIG. 8 is a front isometric view of a second embodiment of an air freshener;
 FIG. 9 is a front elevation view of the second embodiment thereof;
 FIG. 10 is a left side elevation view of the second embodiment thereof;
 FIG. 11 is a right side elevation view of the second embodiment thereof;
 FIG. 12 is a bottom plan view of the second embodiment thereof;
 FIG. 13 is a top plan view of the second embodiment thereof;
 and,
 FIG. 14 is a back elevation view of the second embodiment thereof.

The broken lines depict unclaimed environment. The broken lines and regions bounded by the broken lines form no part of the claimed design.

1 Claim, 8 Drawing Sheets



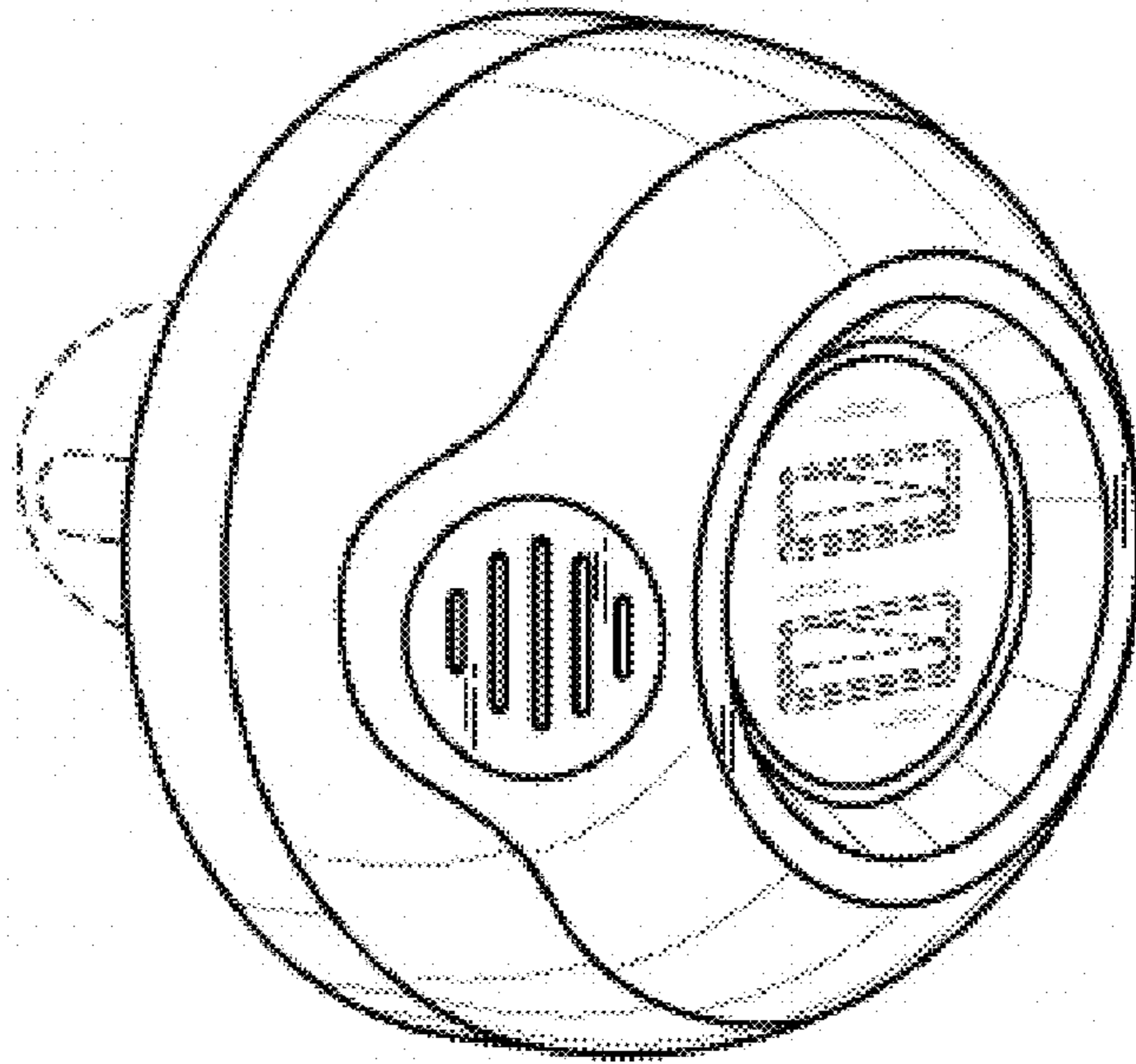


FIG. 1

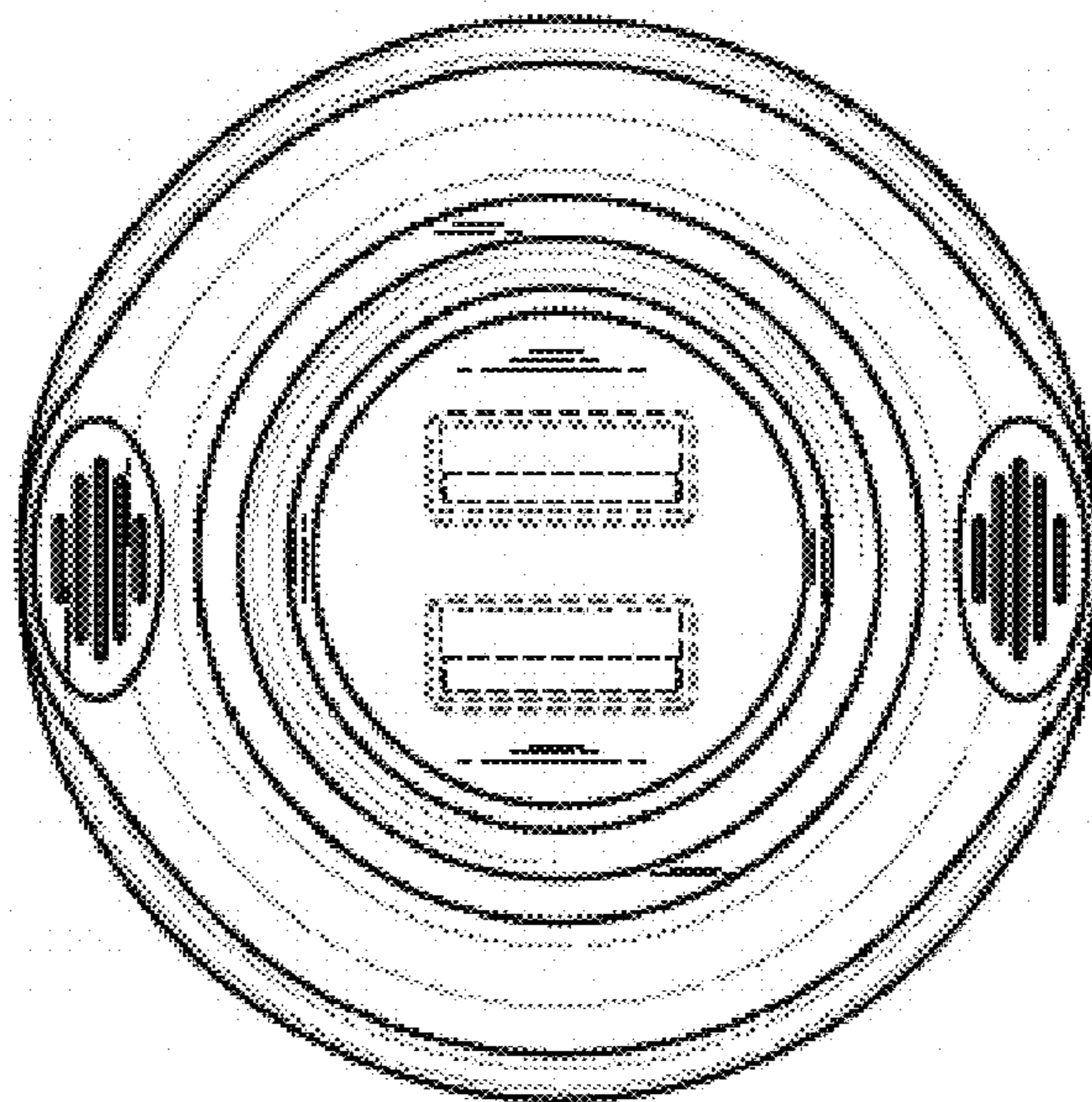


FIG. 2

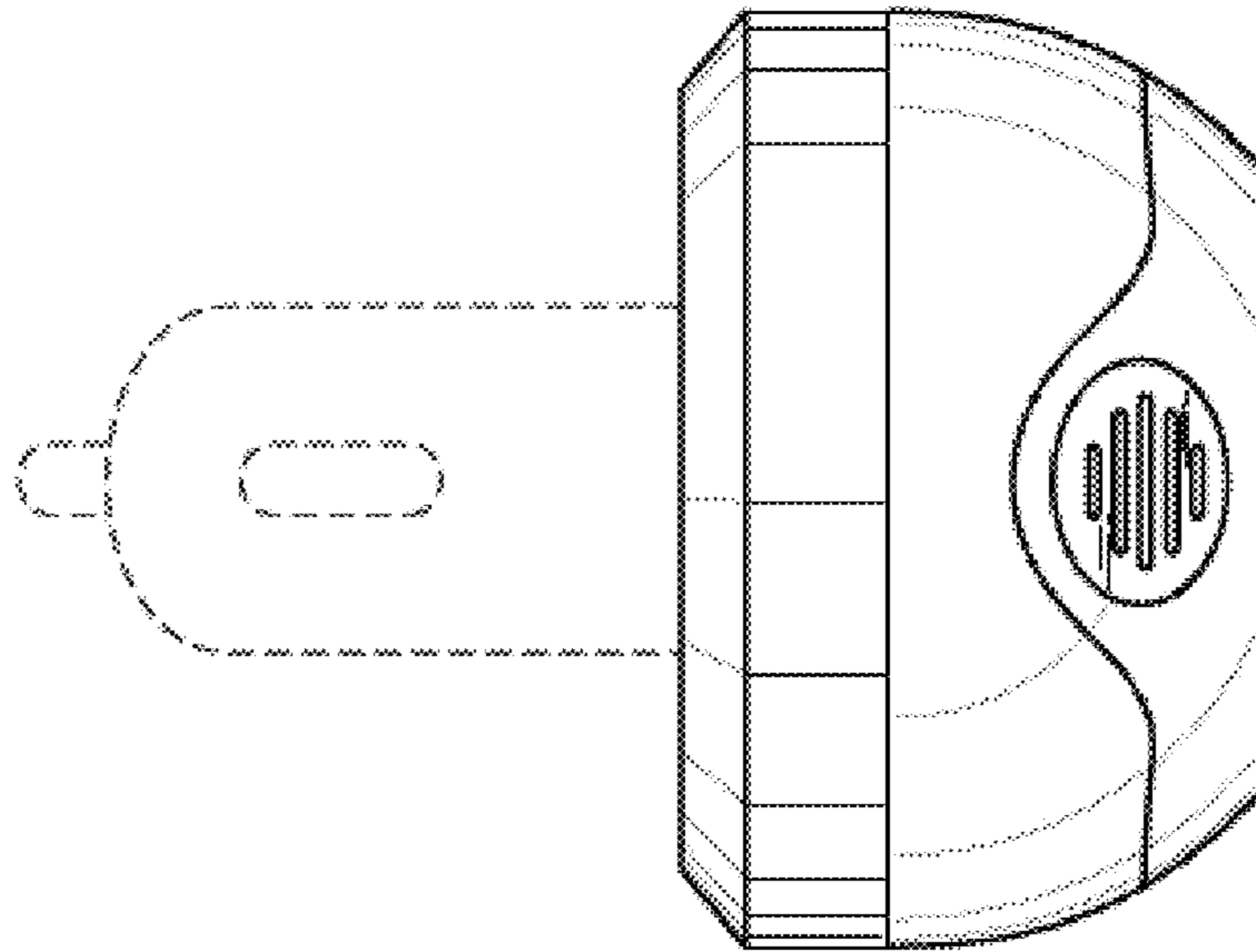


FIG. 3

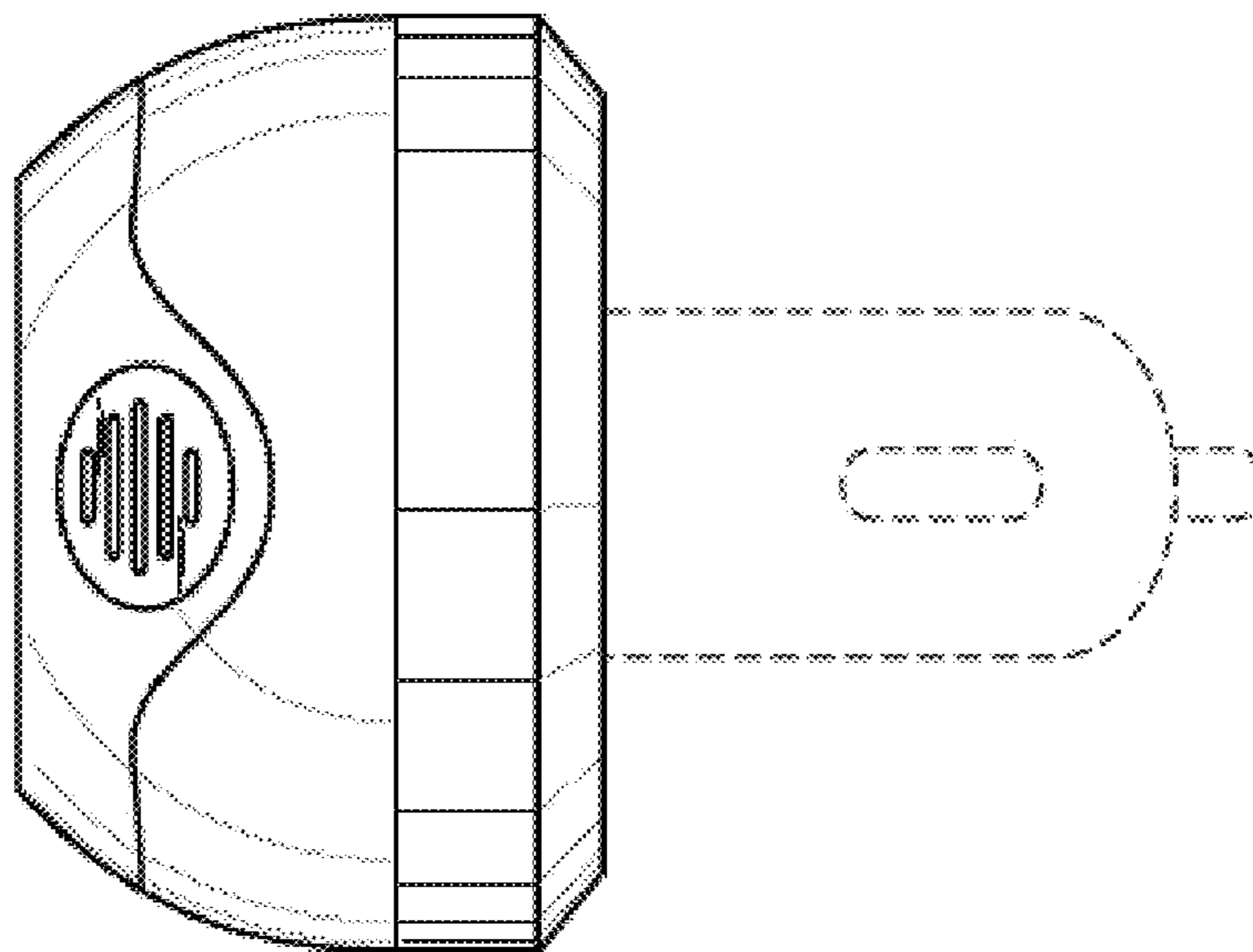


FIG. 4

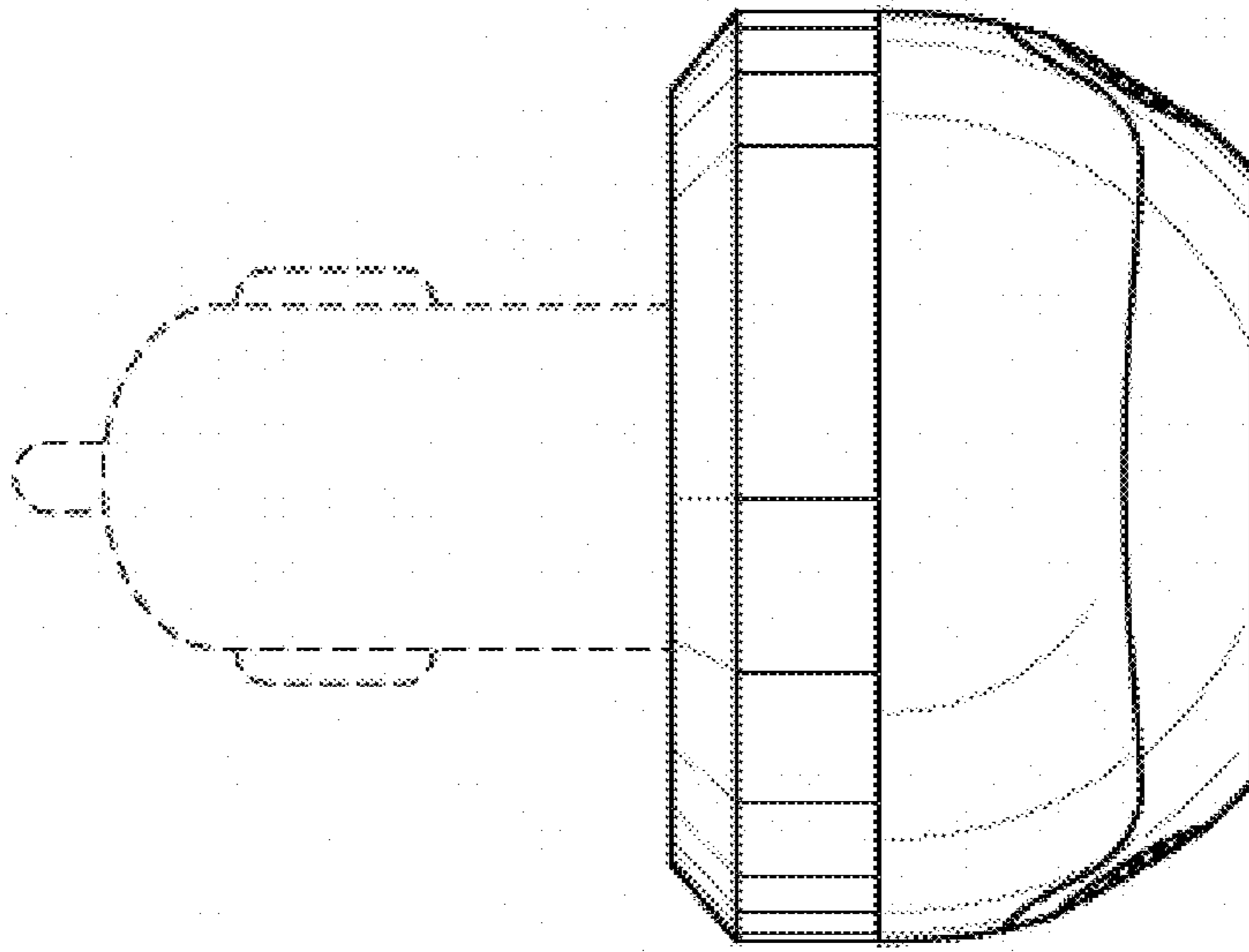


FIG. 5

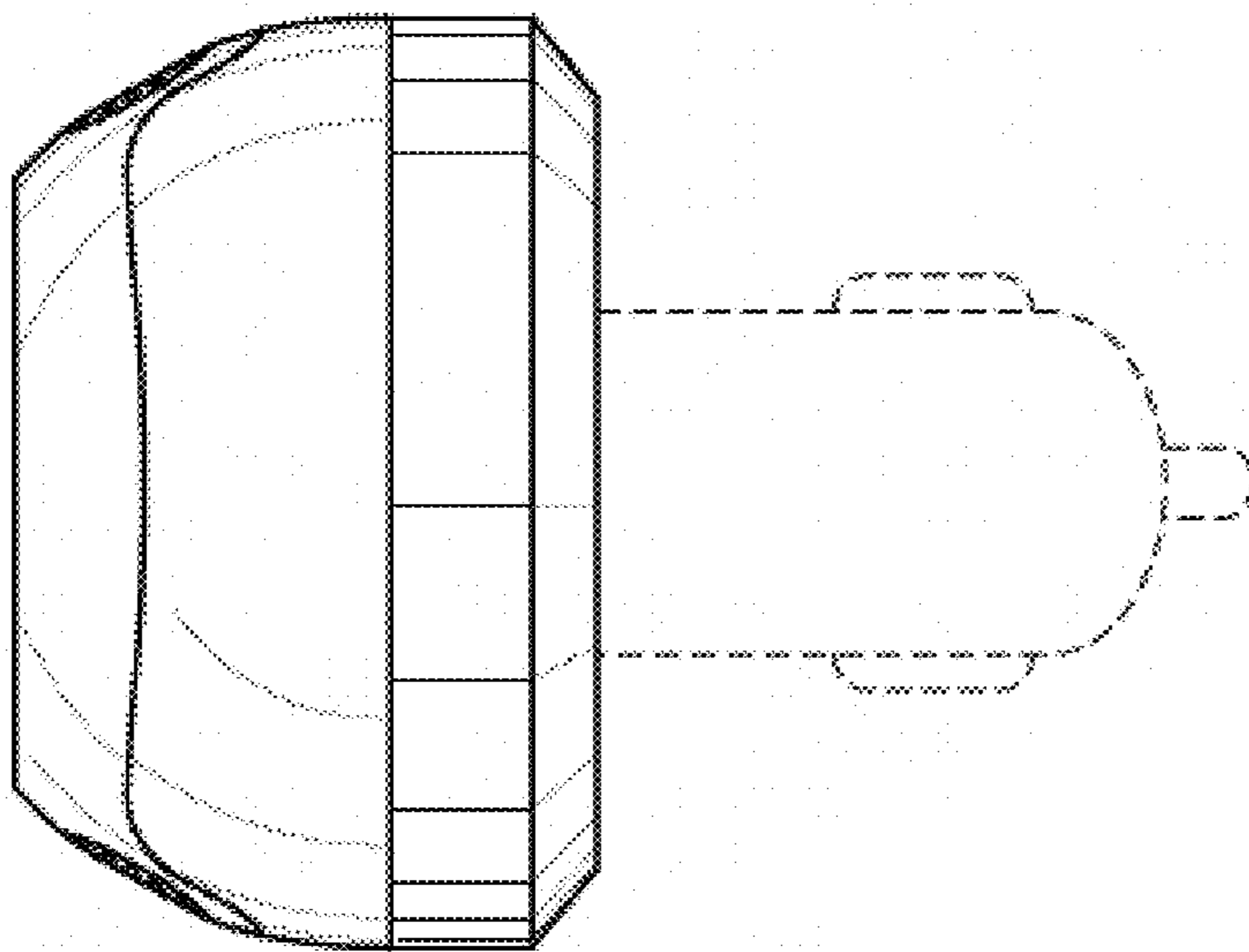


FIG. 6

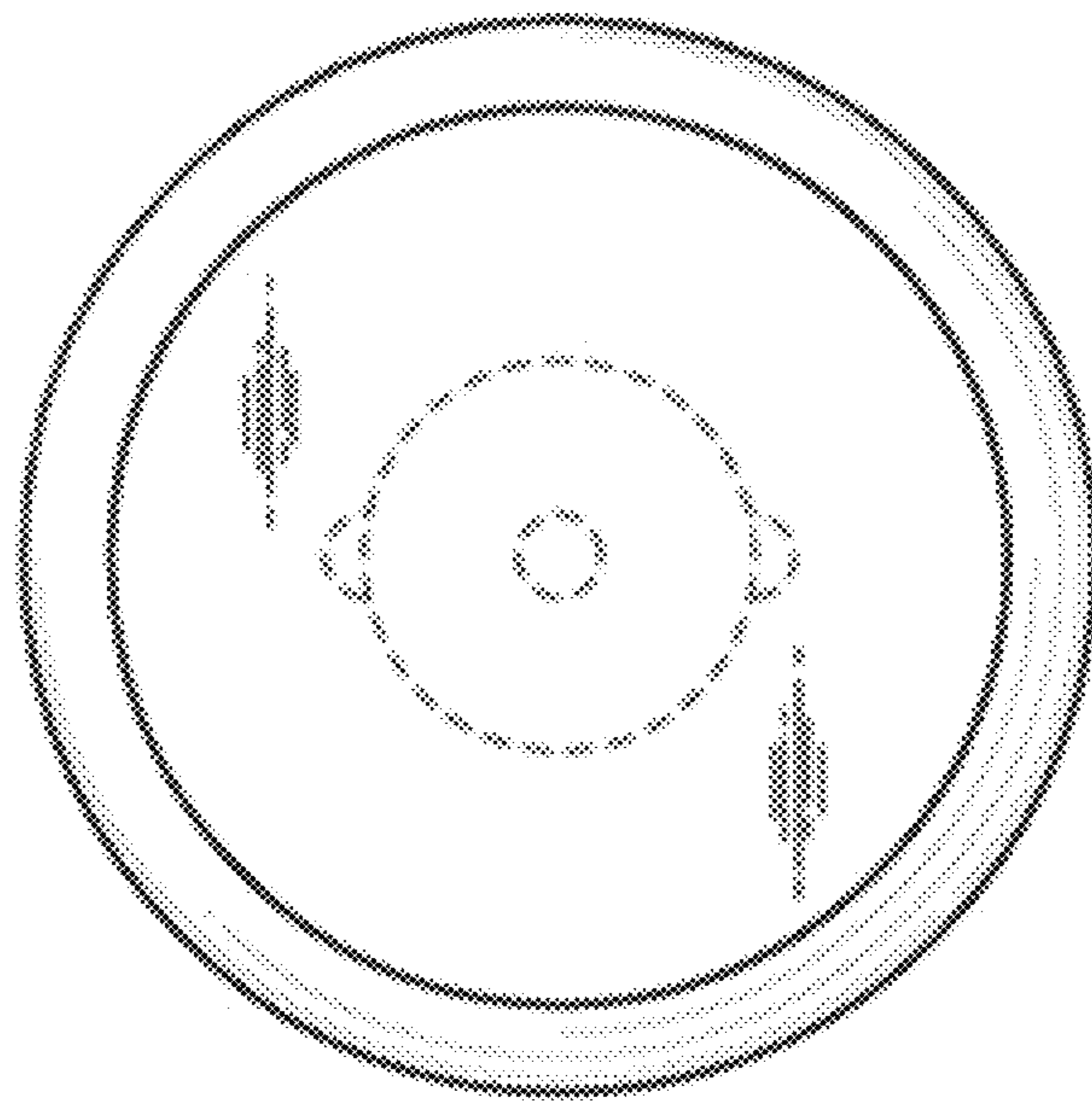


FIG. 7

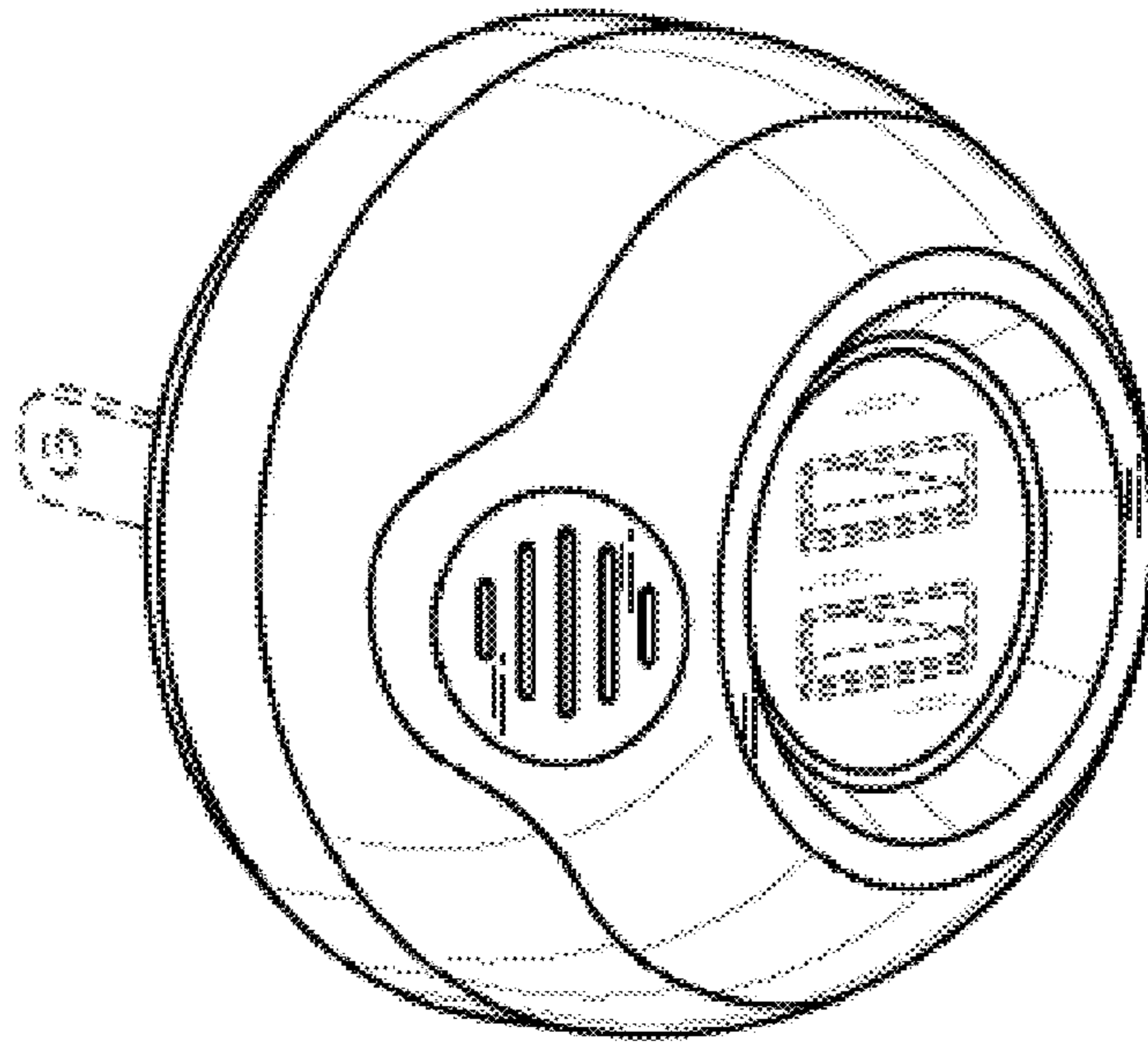


FIG. 8

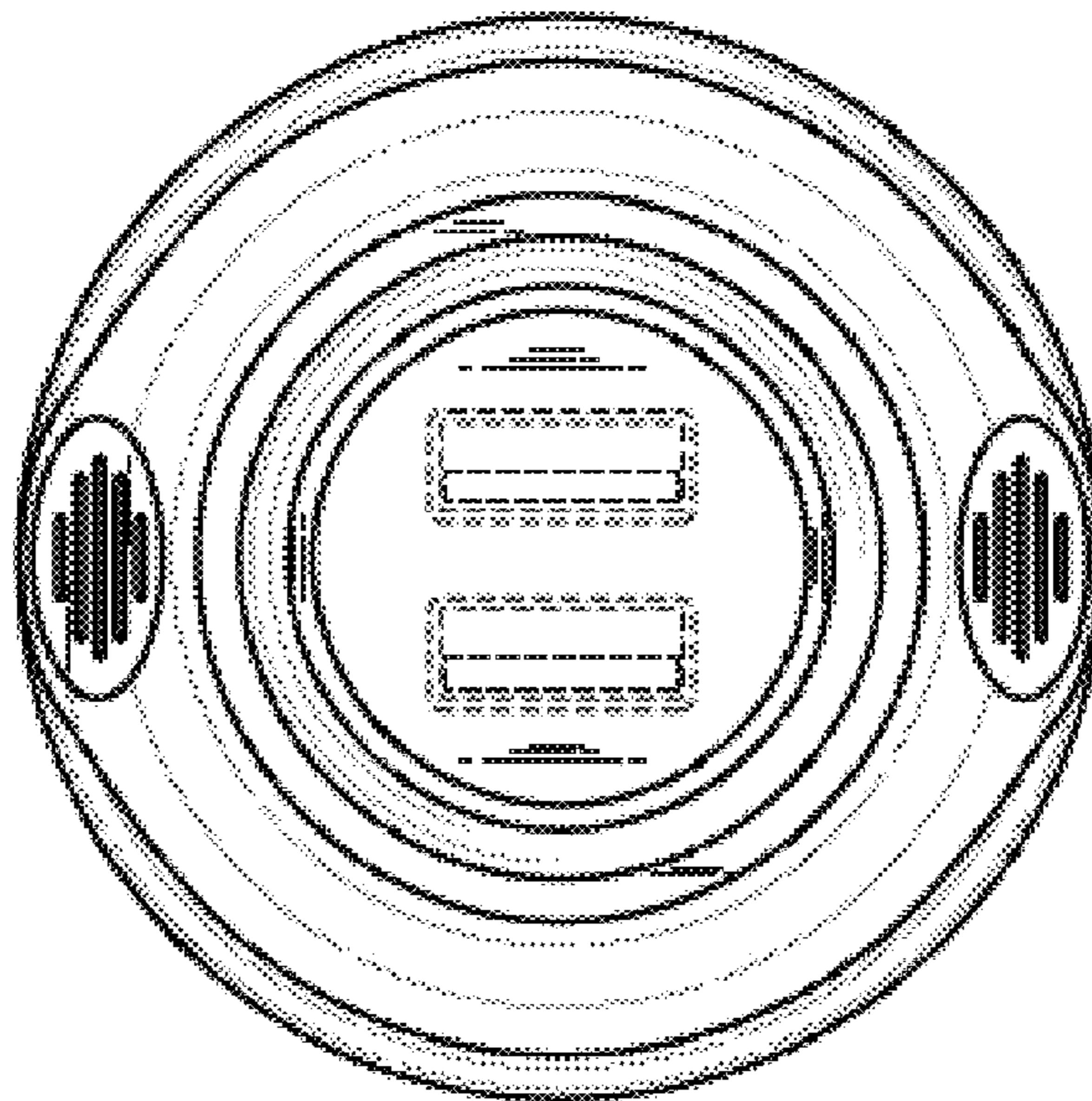


FIG. 9

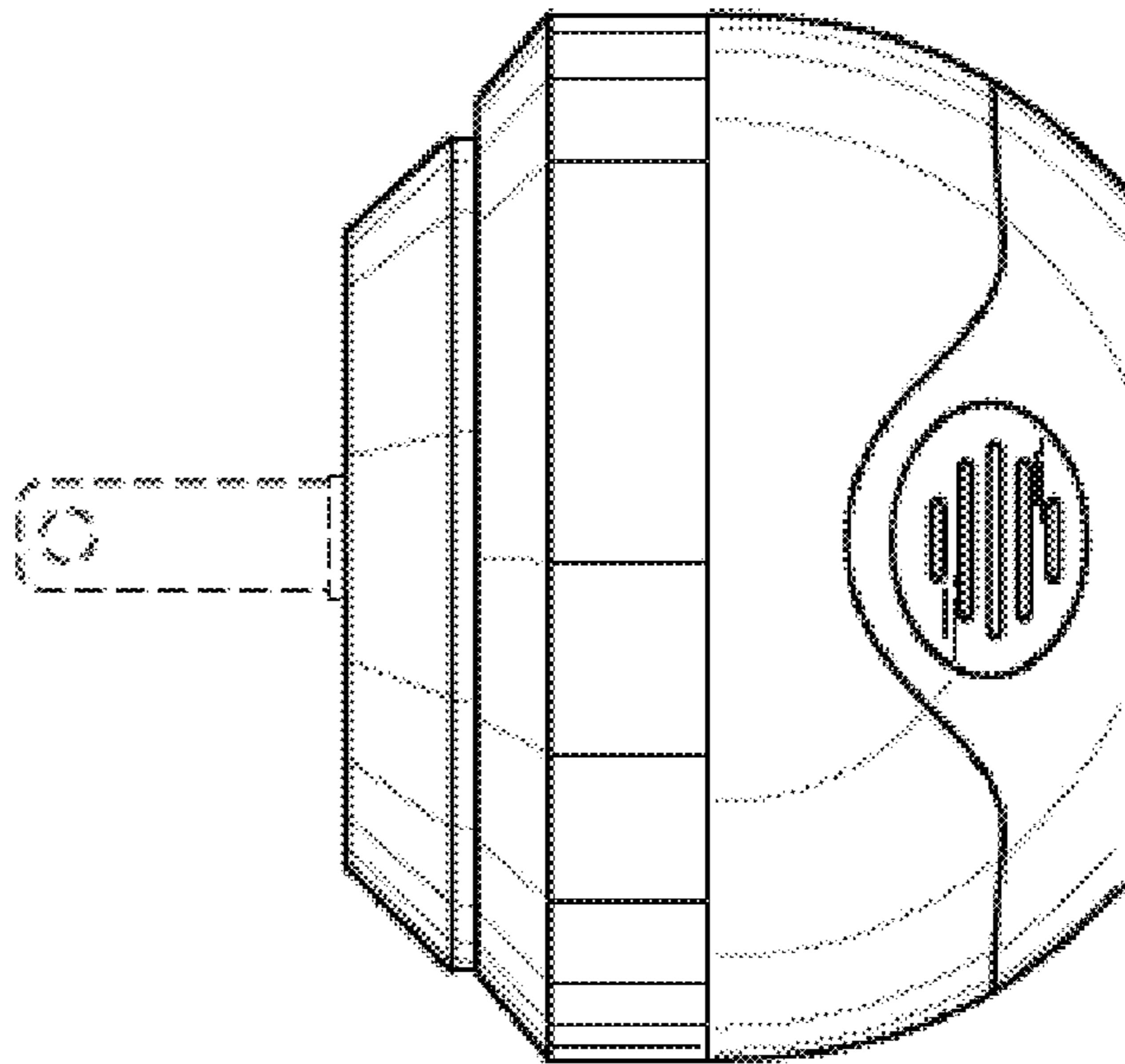


FIG. 10

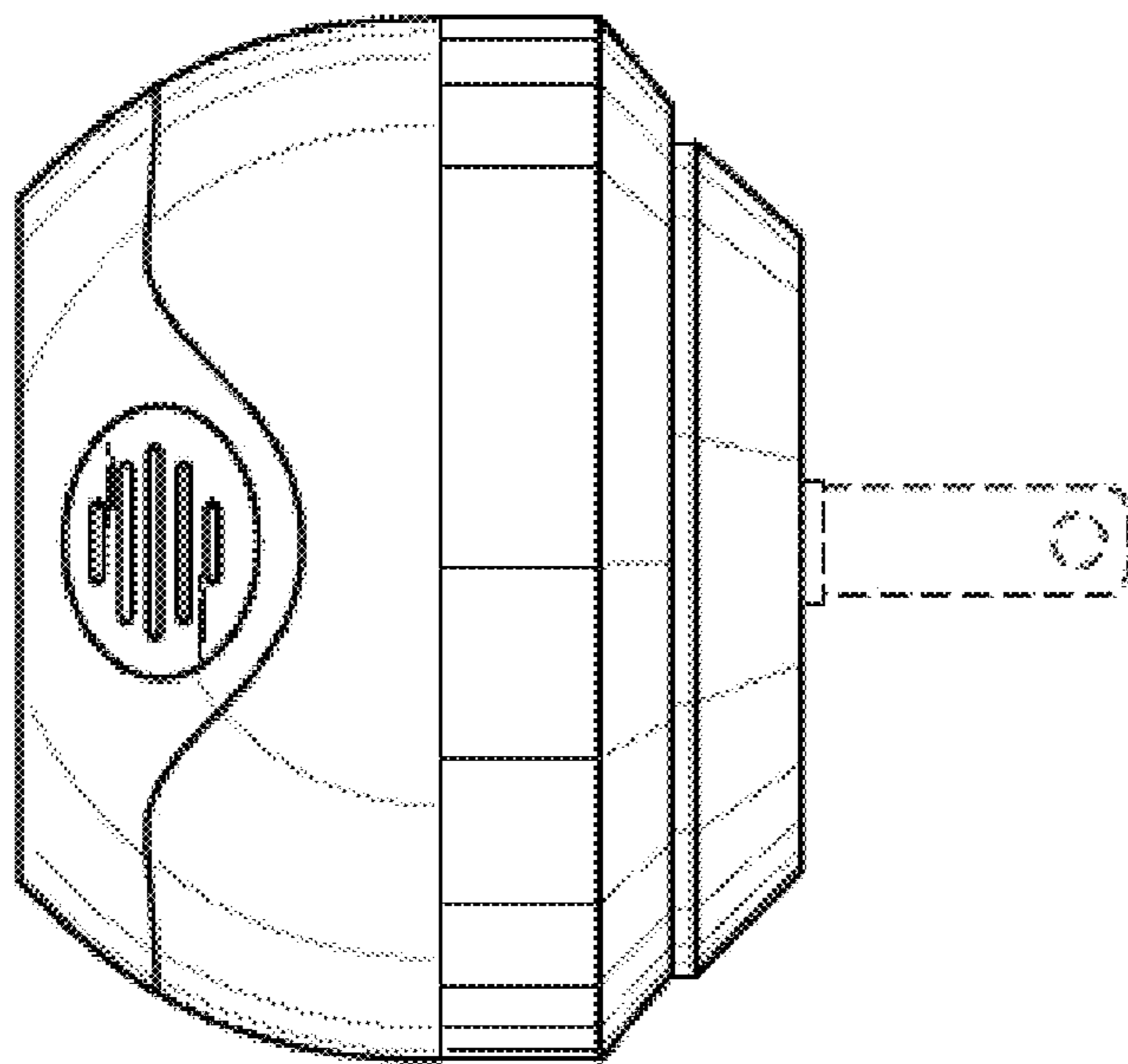


FIG. 11

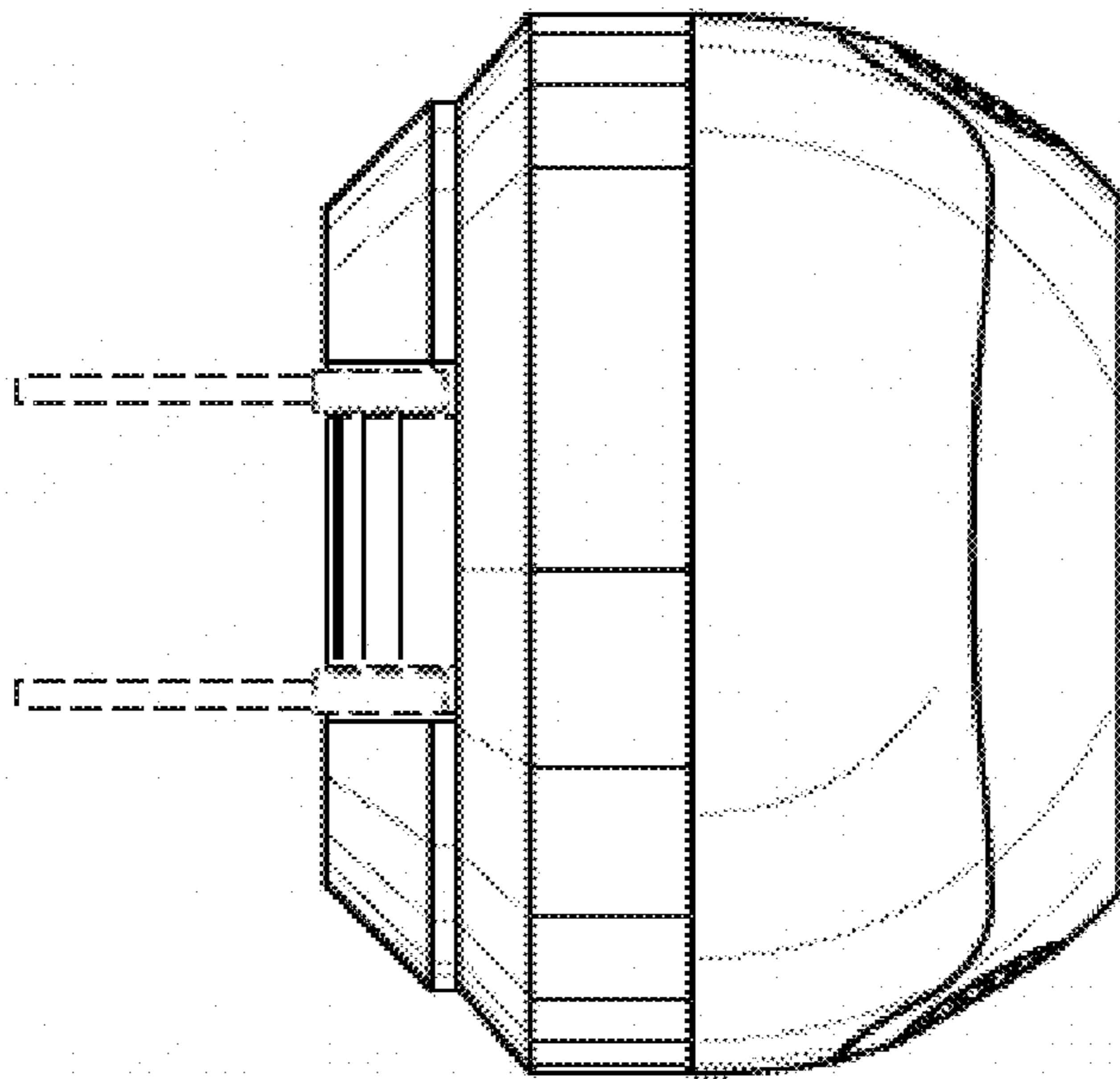


FIG. 12

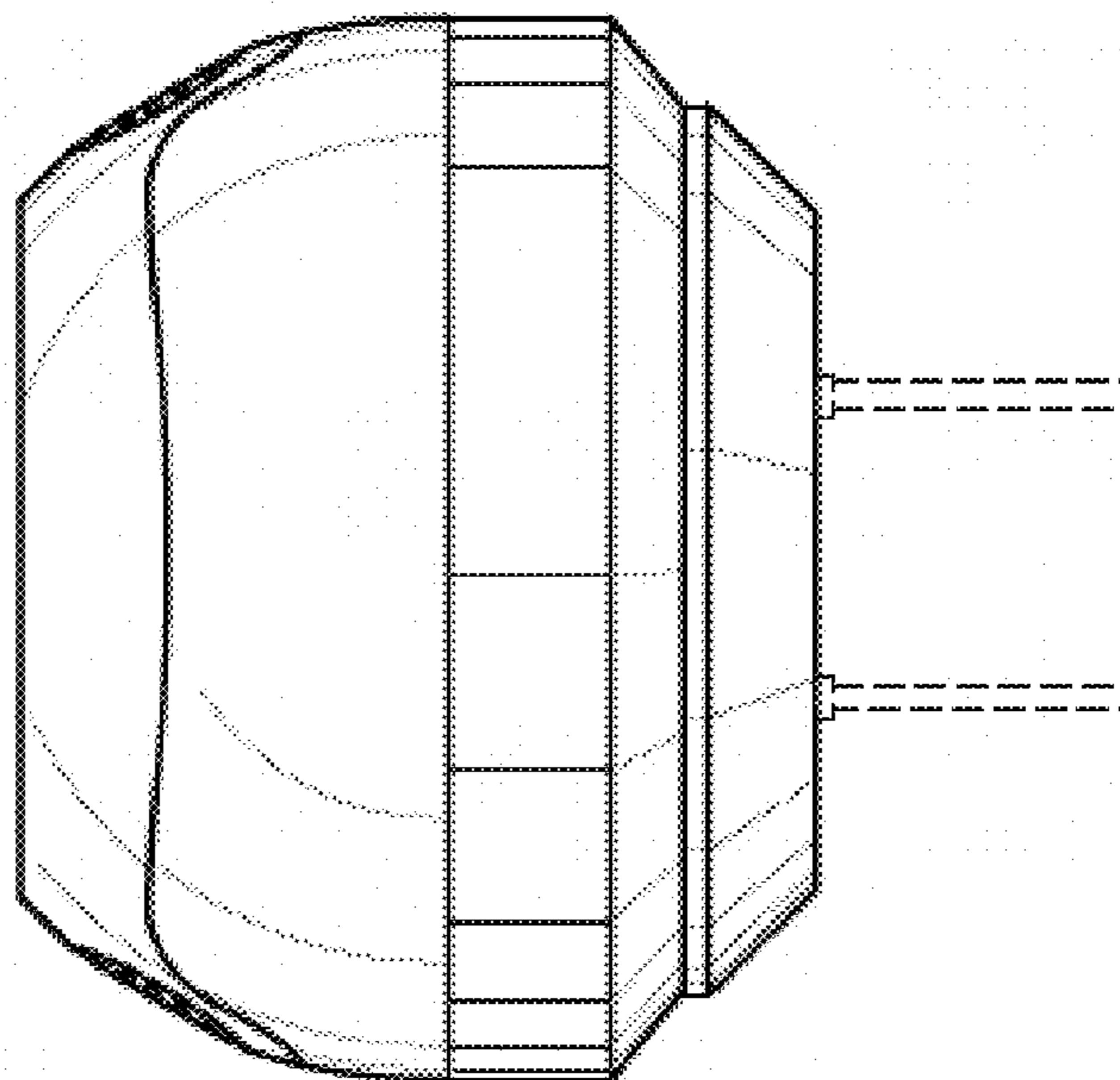


FIG. 13

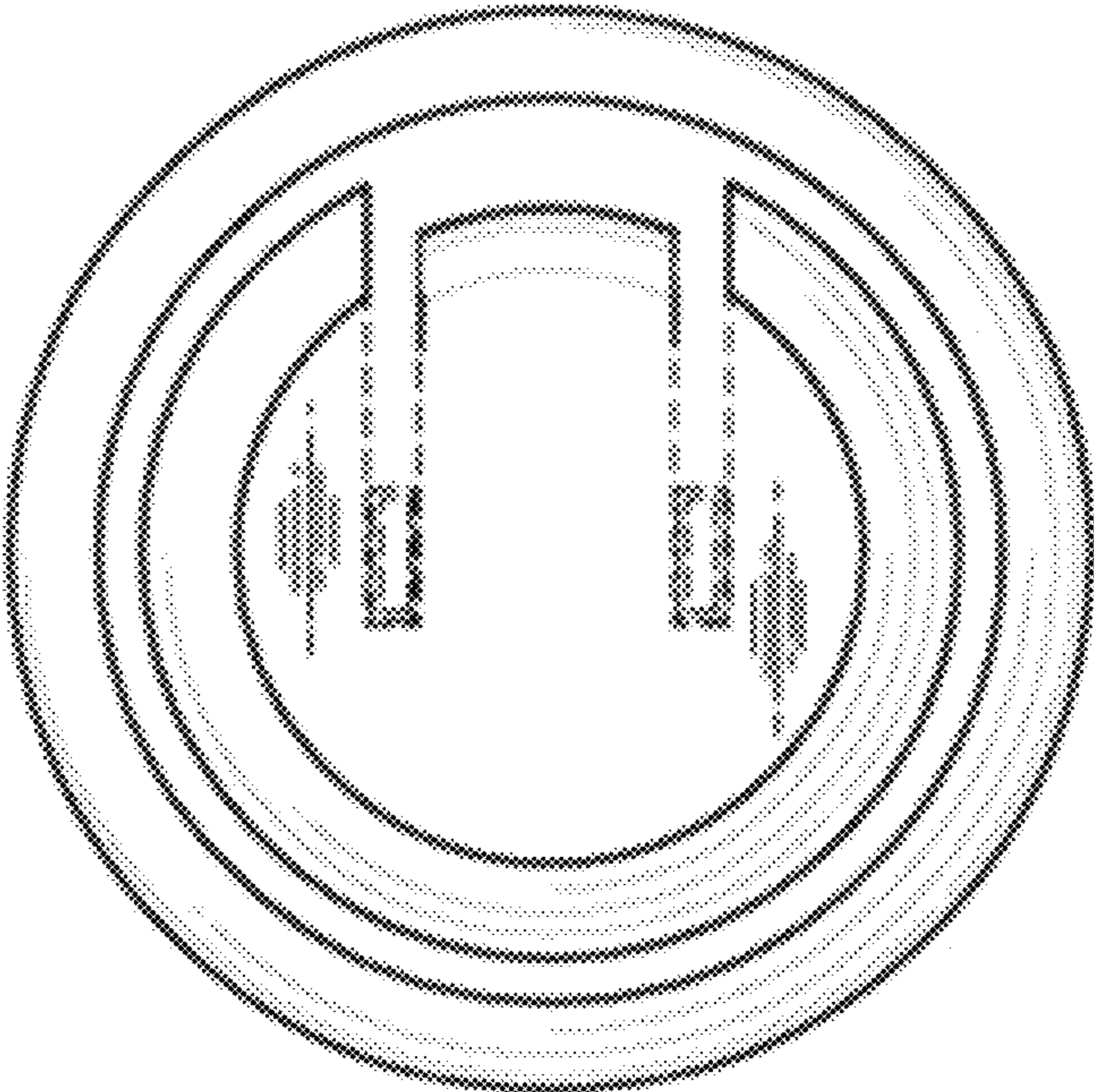


FIG. 14