

US00D724190S

(12) **United States Design Patent**
Mross et al.

(10) **Patent No.:** **US D724,190 S**
(45) **Date of Patent:** **** Mar. 10, 2015**

(54) **HEAT EXCHANGER**

(75) Inventors: **Greg Mross**, Sturtevant, WI (US); **Brad Engel**, Waterford, WI (US); **Mark Johnson**, Racine, WI (US); **Michael Reinke**, Franklin, WI (US)

(73) Assignee: **Modine Manufacturing Company**, Racine, WI (US)

(**) Term: **14 Years**

(21) Appl. No.: **29/390,392**

(22) Filed: **Apr. 25, 2011**

(51) **LOC (10) Cl.** **23-03**

(52) **U.S. Cl.**
USPC **D23/323**

(58) **Field of Classification Search**
USPC D23/314, 323, 330, 386, 499; 165/499, 165/450, 152, 182, DIG. 501, 176, 165
See application file for complete search history.

(56) **References Cited**

U.S. PATENT DOCUMENTS

5,000,257	A	3/1991	Shinmura
5,000,681	A	3/1991	Zafred et al.
5,035,052	A	7/1991	Suzuki et al.
5,036,909	A	8/1991	Whitehead et al.
5,086,835	A	2/1992	Shinmura
5,314,013	A	5/1994	Tanabe
5,327,959	A	7/1994	Saperstein et al.
5,370,176	A	12/1994	Nishishita et al.
5,426,847	A	6/1995	Honma et al.
5,467,818	A	11/1995	Buckley, Jr.
5,529,116	A	6/1996	Sasaki et al.

(Continued)

FOREIGN PATENT DOCUMENTS

DE	102007016050	10/2007
EP	1298401	4/2003
WO	2005088225	9/2005

OTHER PUBLICATIONS

Office Action from the United States Patent and Trademark Office for U.S. Appl. No. 29/390,394 dated Feb. 10, 2014 (7 pages).

(Continued)

Primary Examiner — T. Chase Nelson

Assistant Examiner — Ania Aman

(74) *Attorney, Agent, or Firm* — Michael Best & Friedrich LLP

(57) **CLAIM**

We claim the ornamental design for a heat exchanger, as shown and described.

DESCRIPTION

FIG. 1 is a perspective view of a heat exchanger embodying the invention.

FIG. 2 is a perspective view of a portion of the heat exchanger of FIG. 1.

FIG. 3 is a right side view of the portion of the heat exchanger of FIG. 2.

FIG. 4 is a left side view of the portion of the heat exchanger of FIG. 2.

FIG. 5 is a front view of the portion of the heat exchanger of FIG. 2.

FIG. 6 is a rear view of the portion of the heat exchanger of FIG. 2.

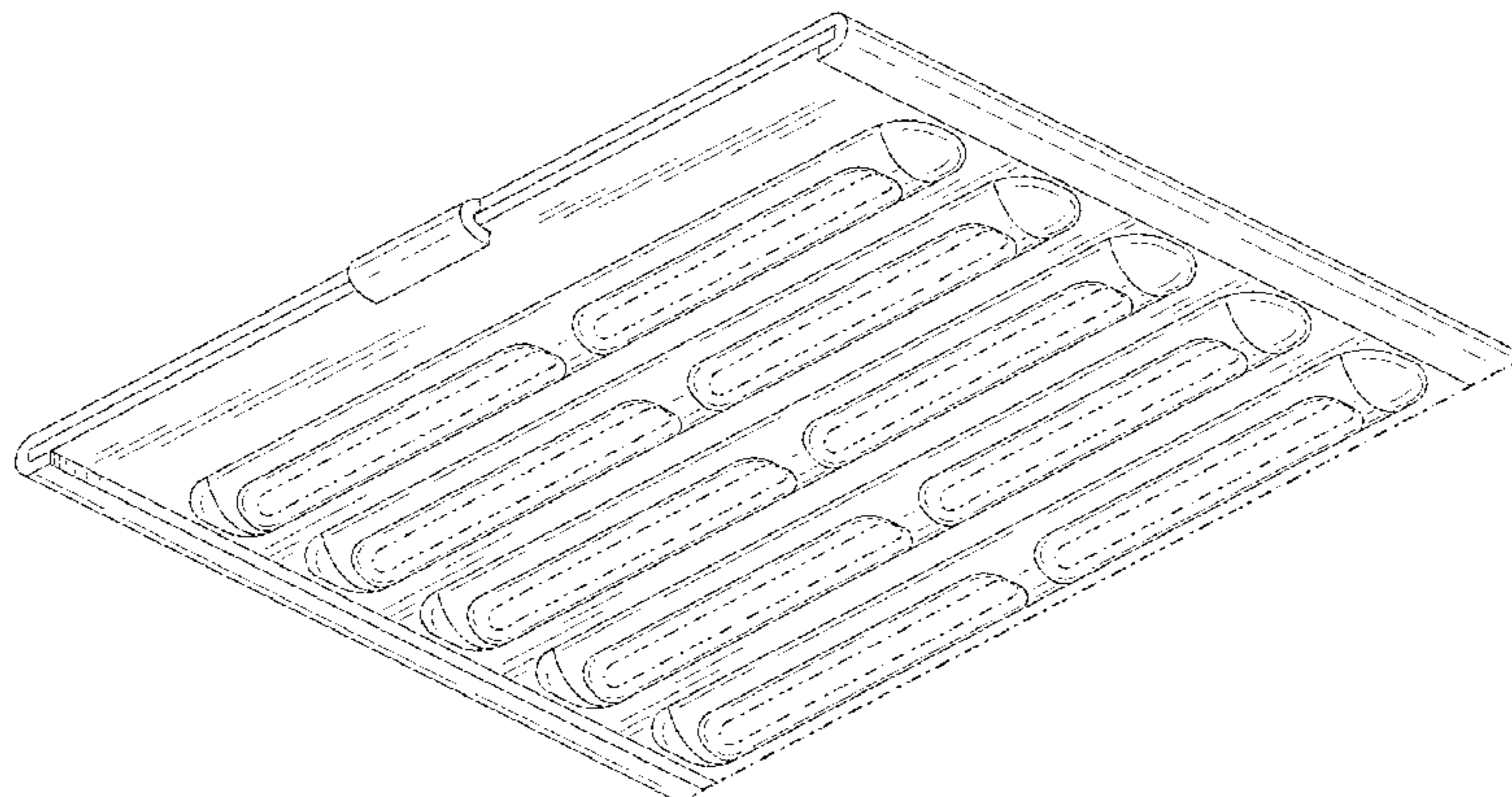
FIG. 7 is a top view of the portion of the heat exchanger of FIG. 2.

FIG. 8 is a bottom view of the portion of the heat exchanger of FIG. 2; and,

FIG. 9 is a close-up perspective view of the heat exchanger of FIG. 2.

The elements shown in broken lines are included for the purpose of illustrating environment and form no part of the claimed design. The portions shown in broken lines having unequal length segments illustrate the boundary of the claimed design and form no part of the claimed design.

1 Claim, 5 Drawing Sheets



(56)

References Cited

U.S. PATENT DOCUMENTS

5,605,191 A * 2/1997 Eto et al. 165/176
 RE35,710 E 1/1998 Shinmura
 5,743,328 A 4/1998 Sasaki et al.
 5,787,973 A * 8/1998 Kado et al. 165/153
 5,894,649 A * 4/1999 Lambert et al. 29/890.052
 6,161,616 A 12/2000 Haussmann
 6,179,050 B1 * 1/2001 Dey et al. 165/149
 6,330,747 B1 * 12/2001 Lambert et al. 29/898.052
 6,460,610 B2 * 10/2002 Lambert et al. 165/82
 6,675,883 B1 * 1/2004 De Keuster et al. 165/173
 6,749,015 B2 6/2004 Moreau
 6,779,591 B2 * 8/2004 Ehlers et al. 165/41
 6,814,136 B2 * 11/2004 Yi et al. 165/153
 6,827,139 B2 12/2004 Kawakubo et al.
 6,988,544 B2 * 1/2006 Ozaki et al. 165/173
 7,044,208 B2 5/2006 Kawakubo et al.
 7,143,512 B2 12/2006 Kroetsch et al.
 7,293,604 B2 11/2007 Sasaki et al.
 7,422,054 B2 * 9/2008 Dierbeck 165/173
 7,426,958 B2 * 9/2008 Yu 165/173
 7,481,266 B2 1/2009 Demuth et al.
 7,607,473 B2 10/2009 Ichianagi
 7,637,314 B2 * 12/2009 Park et al. 165/174
 7,650,935 B2 * 1/2010 Demuth et al. 165/176
 7,798,206 B2 * 9/2010 Hirano et al. 165/173
 7,832,463 B2 * 11/2010 Bergmiller et al. 165/149
 7,874,349 B2 * 1/2011 Duong et al. 165/173
 7,878,233 B2 * 2/2011 Bates et al. 165/153
 7,895,749 B2 * 3/2011 Eto et al. 29/890.053
 8,100,171 B2 * 1/2012 Zebuhr 165/164
 8,181,694 B2 * 5/2012 Powers et al. 165/149
 8,196,646 B2 * 6/2012 Huang et al. 165/135
 8,235,099 B2 8/2012 Higashiyama

8,261,567 B2 9/2012 Zangari et al.
 8,296,948 B2 * 10/2012 Lesage 29/890.044
 8,322,407 B2 * 12/2012 Reynolds 165/173
 8,353,330 B2 * 1/2013 Lim et al. 165/76
 8,371,366 B2 2/2013 Higashiyama et al.
 8,561,678 B2 * 10/2013 Richardson et al. 165/173
 8,590,607 B2 * 11/2013 Demuth et al. 165/176
 2002/0084067 A1 * 7/2002 Makino et al. 165/173
 2003/0150603 A1 * 8/2003 Auchter et al. 165/176
 2003/0221819 A1 * 12/2003 Jang 165/173
 2005/0039900 A1 * 2/2005 Yu 165/173
 2005/0039901 A1 * 2/2005 Demuth et al. 165/175
 2005/0103486 A1 * 5/2005 Demuth et al. 165/174
 2005/0217838 A1 10/2005 Katoh et al.
 2006/0086486 A1 * 4/2006 Sudo 165/143
 2006/0162917 A1 7/2006 Park et al.
 2006/0219398 A1 * 10/2006 Eto et al. 165/173
 2007/0131391 A1 * 6/2007 Ichianagi 165/110
 2007/0251682 A1 * 11/2007 Sasaki 165/153
 2009/0236086 A1 * 9/2009 Higashiyama et al. 165/176
 2009/0314475 A1 * 12/2009 Jeon et al. 165/109.1
 2010/0147498 A1 * 6/2010 Huang et al. 165/151
 2010/0300664 A1 * 12/2010 Kang et al. 165/157
 2010/0319379 A1 12/2010 Zangari et al.
 2011/0056654 A1 * 3/2011 Vaughn et al. 165/96
 2011/0192582 A1 8/2011 Knight et al.
 2013/0199760 A1 * 8/2013 Kadle et al. 165/152

OTHER PUBLICATIONS

Notification of First Chinese Office Action for Chinese Application No. 201110083129.X dated Apr. 8, 2014 (19 pages).
 Extended European Search Report for Application No. 11002633.3 dated Feb. 28, 2014 (8 pages).

* cited by examiner

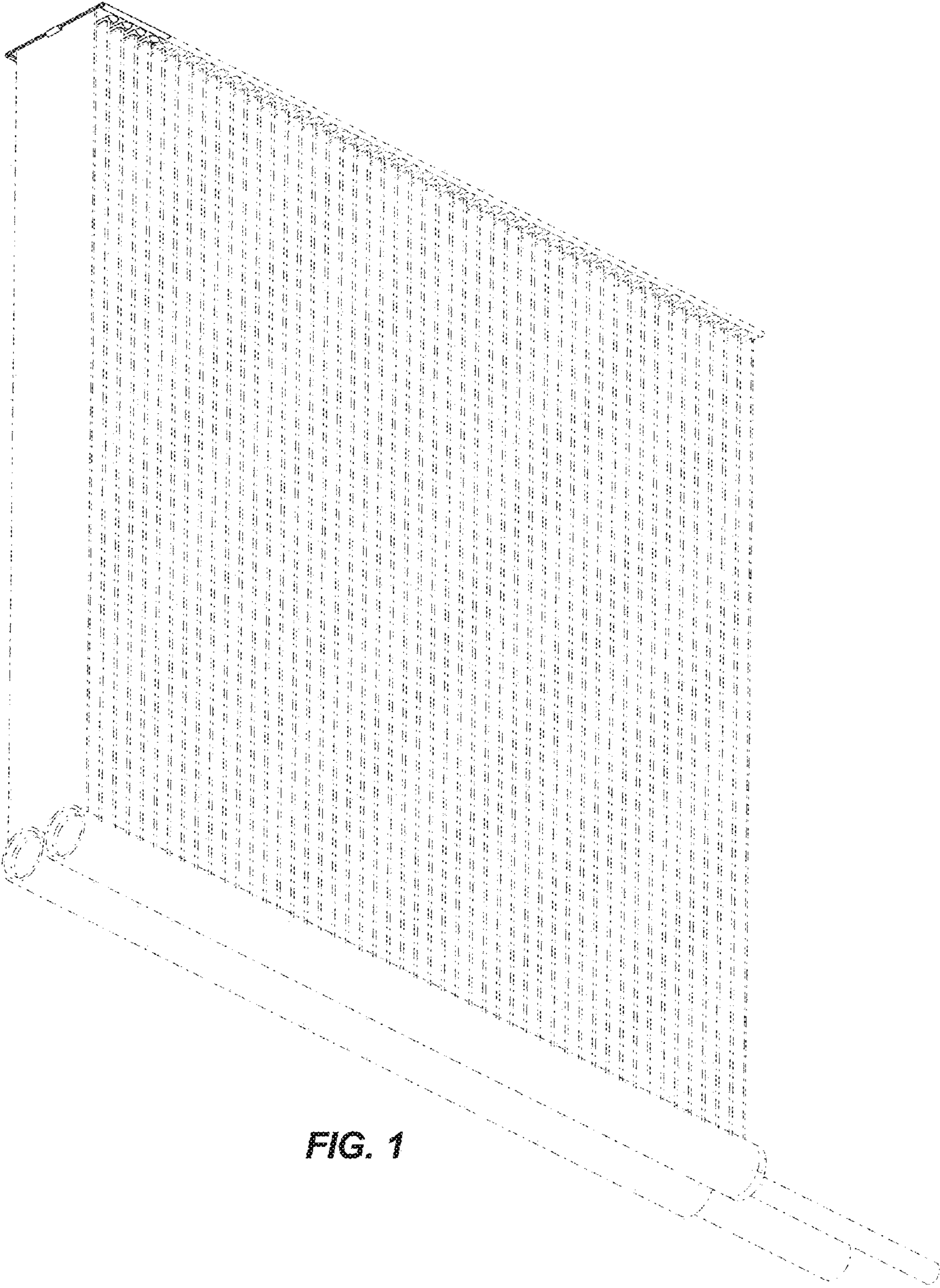


FIG. 1

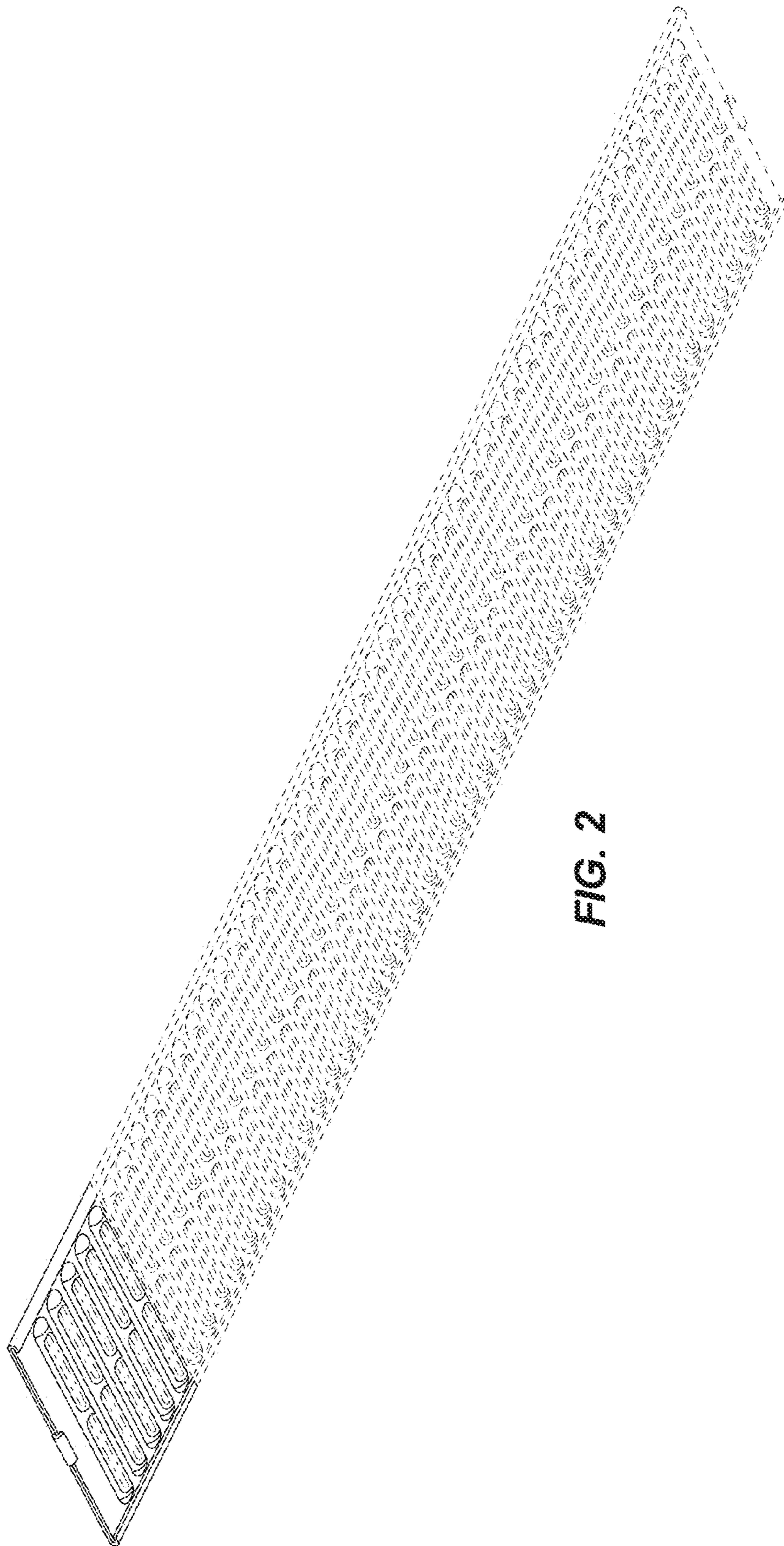


FIG. 2

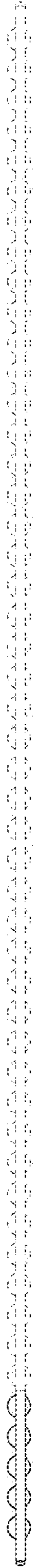


FIG. 3

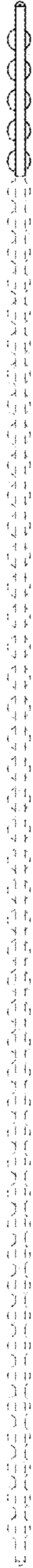


FIG. 4



FIG. 5



FIG. 6

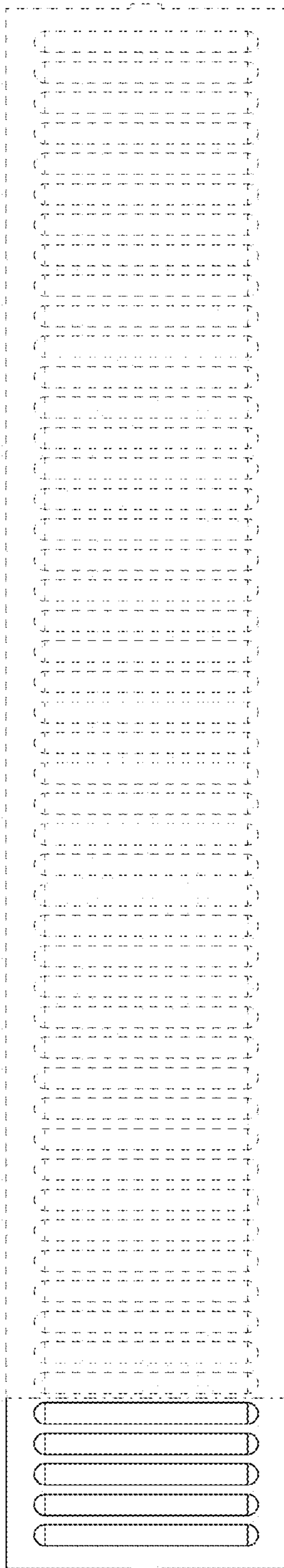


FIG. 7

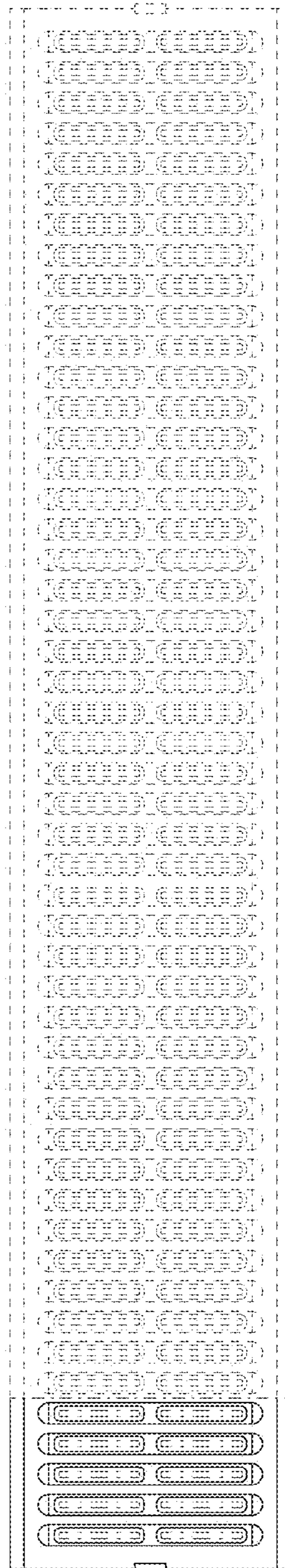


FIG. 8

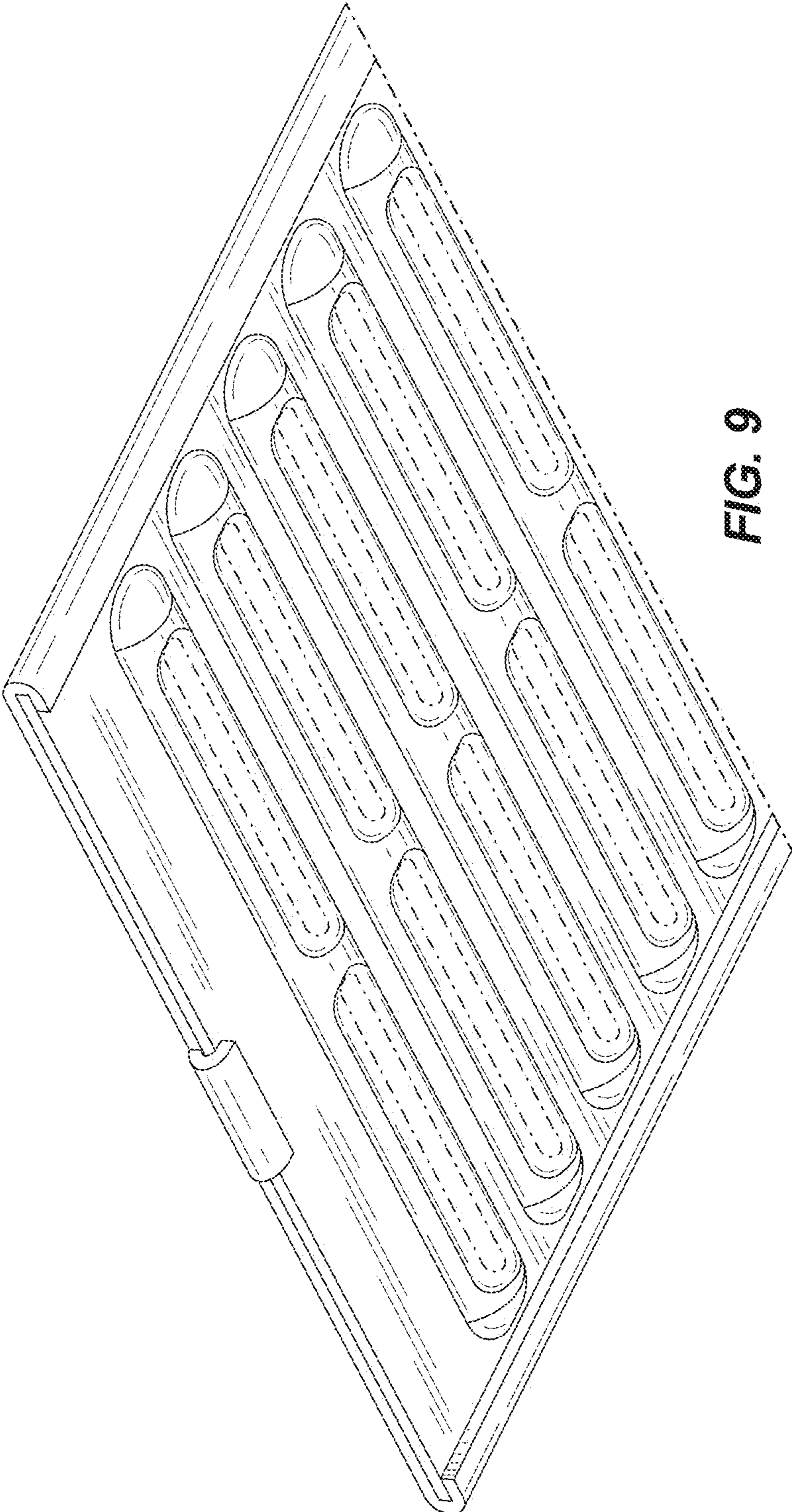


FIG. 9