



US00D724189S

(12) **United States Design Patent**  
**Nielson et al.**

(10) **Patent No.:** **US D724,189 S**  
(45) **Date of Patent:** **\*\* Mar. 10, 2015**

- (54) **HOSE SUPPORT**
- (71) Applicants: **Jeffrey T. Nielson**, Piscataway, NJ (US);  
**Daniel Perrone**, Highland Park, NJ (US)
- (72) Inventors: **Jeffrey T. Nielson**, Piscataway, NJ (US);  
**Daniel Perrone**, Highland Park, NJ (US)
- (73) Assignee: **Saint-Gobain Performance Plastics Corporation**, Aurora, OH (US)

D644,306	S	*	8/2011	Douglass, III	.....	D23/269
D648,836	S	*	11/2011	Drenth	.....	D23/269
D654,152	S	*	2/2012	Schulz	.....	D23/260
D673,244	S	*	12/2012	Magargal et al.	.....	D23/260
D682,994	S	*	5/2013	Schulz	.....	D23/259
D691,698	S	*	10/2013	Frey	.....	D23/206
D692,391	S	*	10/2013	Kim	.....	D13/154
D696,751	S	*	12/2013	Beagen, Jr.	.....	D23/269
D710,977	S	*	8/2014	Chen	.....	D23/259
2005/0194464	A1	*	9/2005	Bruninga	.....	239/200
2010/0187812	A1	*	7/2010	Radzik et al.	.....	285/148.28

- (\*\*) Term: **14 Years**
- (21) Appl. No.: **29/453,377**

- (22) Filed: **Apr. 29, 2013**
- (51) **LOC (10) Cl.** ..... **23-01**
- (52) **U.S. Cl.**  
USPC ..... **D23/269**
- (58) **Field of Classification Search**  
USPC ..... D23/40, 43, 233, 235, 259, 260, 261,  
D23/262, 266, 269; D24/129; D8/373, 380;  
285/368, 373, 412, 414, 419, 423;  
241/46.013-46.016  
See application file for complete search history.

(56) **References Cited**

U.S. PATENT DOCUMENTS

1,995,474	A	*	3/1935	Gunther	.....	4/287
2,793,373	A	*	5/1957	Ewing	.....	241/46.016
4,161,182	A	*	7/1979	Burton	.....	134/166 C
D263,415	S	*	3/1982	Roche	.....	D23/265
4,951,914	A	*	8/1990	Meyers et al.	.....	249/11
D330,073	S	*	10/1992	Valls	.....	D23/269
D461,233	S	*	8/2002	Whalen	.....	D23/261
6,619,596	B1	*	9/2003	Caine et al.	.....	248/49
6,927,199	B2	*	8/2005	Takemura et al.	.....	510/195
D526,705	S	*	8/2006	Wortmann et al.	.....	D23/269
7,748,418	B2	*	7/2010	Johnson	.....	141/231
7,926,768	B2	*	4/2011	Prest	.....	
7,967,225	B1	*	6/2011	Schulz	.....	241/46.013

OTHER PUBLICATIONS

Hose Supports, no reference date available online, [site visited Oct. 7, 2014]. Available from internet <URL: [http://www.processsystems.saint-gobain.com/product\\_detail.aspx?id=254846](http://www.processsystems.saint-gobain.com/product_detail.aspx?id=254846)>.\*

Hose Savers, no reference date available online, [site visited Oct. 7, 2014]. Available from internet <URL: <http://www.rubberandaccessories.com/hose-supports.html>>.\*

HD Hose Supports, reference date May 19, 2006 online, [site visited Oct. 7, 2014]. Available from internet <URL: <http://www.unisource-mfg.com/products/oneproduct.php?categoryid=35&productid=128>>.\*

\* cited by examiner

*Primary Examiner* — Eric Goodman  
*Assistant Examiner* — Daniel J Domino

(74) *Attorney, Agent, or Firm* — Abel Law Group, LLP; Chi S. Kim

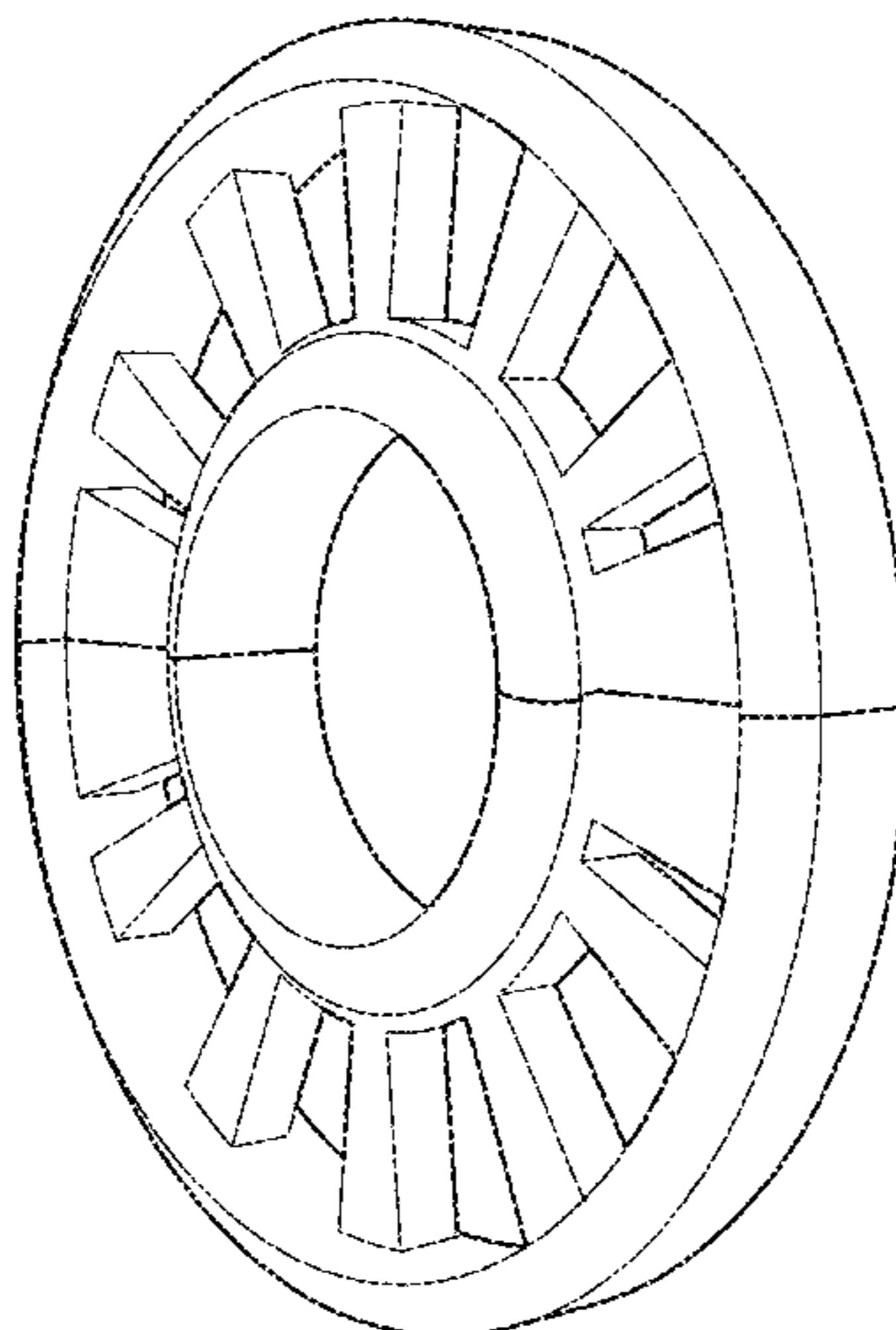
(57) **CLAIM**

The ornamental design for a hose support, as shown and described.

**DESCRIPTION**

FIG. 1 is a perspective view of a hose support showing our new design.  
FIG. 2 is a front view thereof; and,  
FIG. 3 is a side view thereof.

**1 Claim, 2 Drawing Sheets**



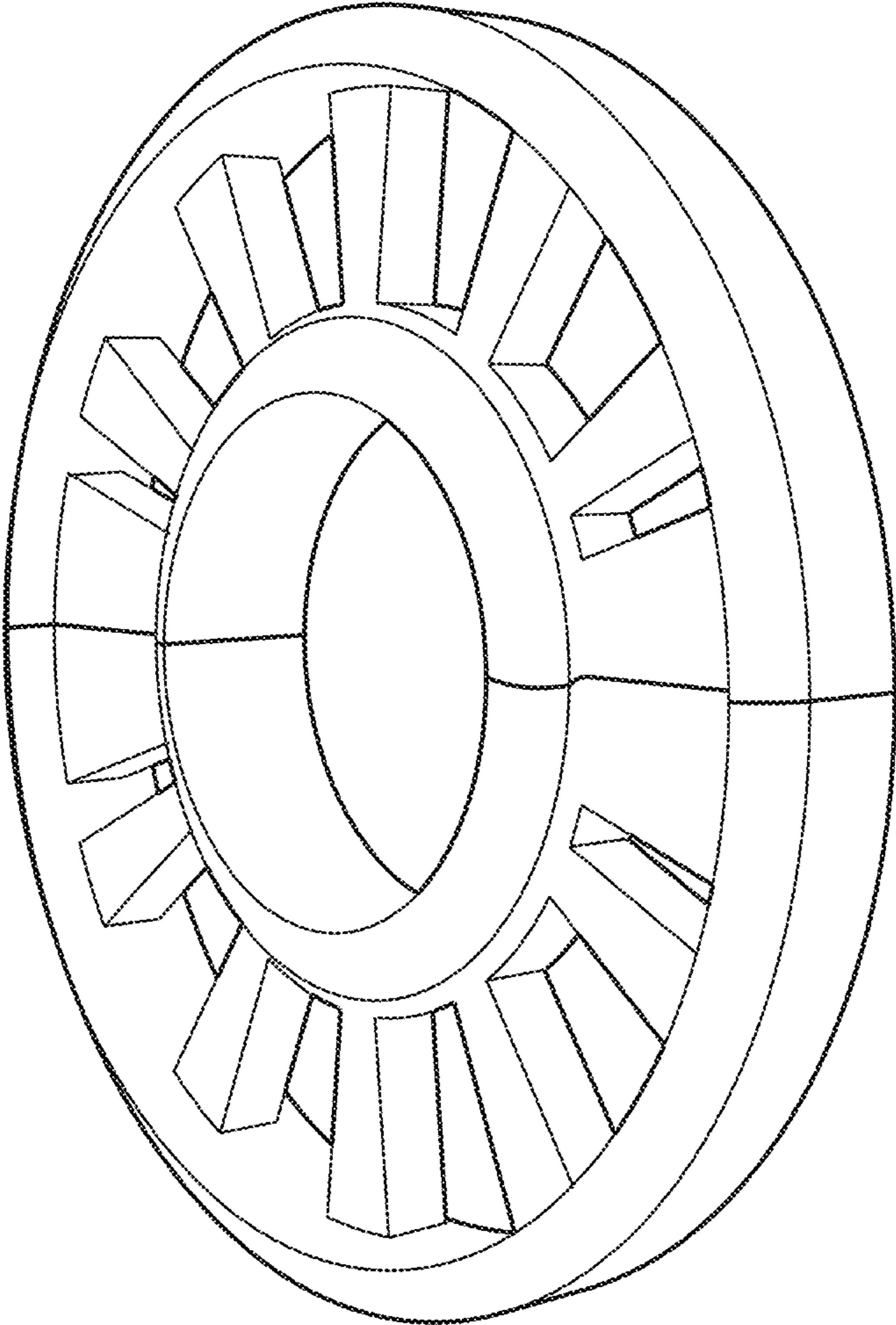


FIG. 1

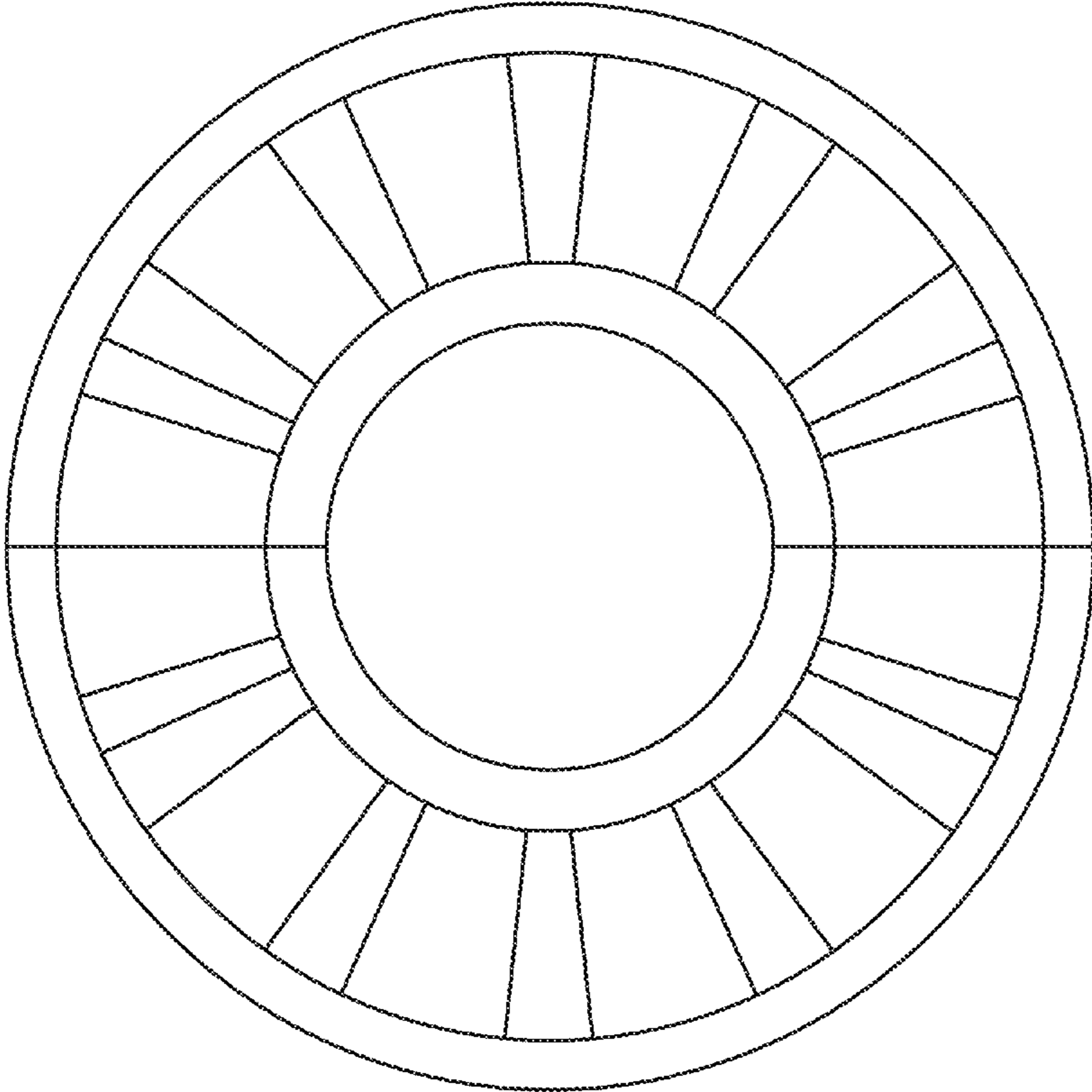


FIG. 2

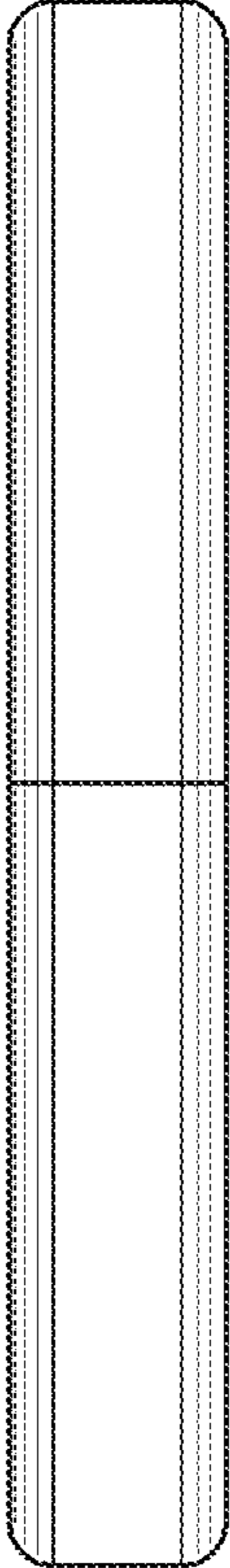


FIG. 3