



US00D724185S

(12) **United States Design Patent**
Chiproot

(10) **Patent No.:** **US D724,185 S**
(45) **Date of Patent:** **** Mar. 10, 2015**

(54) **PIPE COUPLING WITH HANDLE**
(71) Applicant: **Avi Chiproot**, Kfar-Saba (IL)
(72) Inventor: **Avi Chiproot**, Kfar-Saba (IL)
(73) Assignee: **Eliezer Krausz Industrial Development Ltd.**, Tel Aviv (IL)
(**) Term: **14 Years**
(21) Appl. No.: **29/440,076**

(22) Filed: **Dec. 19, 2012**
(51) **LOC (10) Cl.** **23-01**
(52) **U.S. Cl.**
USPC **D23/262**
(58) **Field of Classification Search**
USPC D23/233, 245, 259-269, 393;
285/86-93
See application file for complete search history.

(56) **References Cited**

U.S. PATENT DOCUMENTS

D188,026	S	*	5/1960	Curtiss	D23/265
D189,229	S	*	11/1960	Bowne	D23/265
3,166,812	A	*	1/1965	Hepburn	24/279
3,499,667	A	*	3/1970	Anton	285/93
D245,704	S	*	9/1977	Dyrup	D23/265
4,380,348	A	*	4/1983	Swartz	285/236
5,201,550	A	*	4/1993	Burkit	285/109
D451,984	S	*	12/2001	Tigerholm	D23/262
7,232,160	B2	*	6/2007	Krausz et al.	285/419
D574,472	S	*	8/2008	Kanao	D23/262
D602,347	S	*	10/2009	Allen	D8/382
7,837,239	B2	*	11/2010	Krausz et al.	285/421

D628,680	S	*	12/2010	Dole et al.	D23/262
D629,074	S	*	12/2010	Shah et al.	D23/262
D629,082	S	*	12/2010	Dole et al.	D23/262
8,075,024	B2	*	12/2011	Wern et al.	285/373
8,408,606	B2	*	4/2013	Krausz et al.	285/373
D689,026	S	*	9/2013	Smith	D13/155
D691,963	S	*	10/2013	Smith	D13/155
2003/0127858	A1	*	7/2003	Chiproot et al.	285/373
2007/0273151	A1	*	11/2007	Krausz et al.	285/406
2009/0140520	A1	*	6/2009	Krausz et al.	285/340
2011/0031737	A1	*	2/2011	Krausz et al.	285/15
2012/0299293	A1	*	11/2012	Chiproot	285/337
2013/0056980	A1	*	3/2013	Chiproot	285/413
2014/0319826	A1	*	10/2014	Chiproot	285/337

* cited by examiner

Primary Examiner — Celia Murphy
Assistant Examiner — John Reickel

(74) *Attorney, Agent, or Firm* — Dekel Patent Ltd.; David Klein

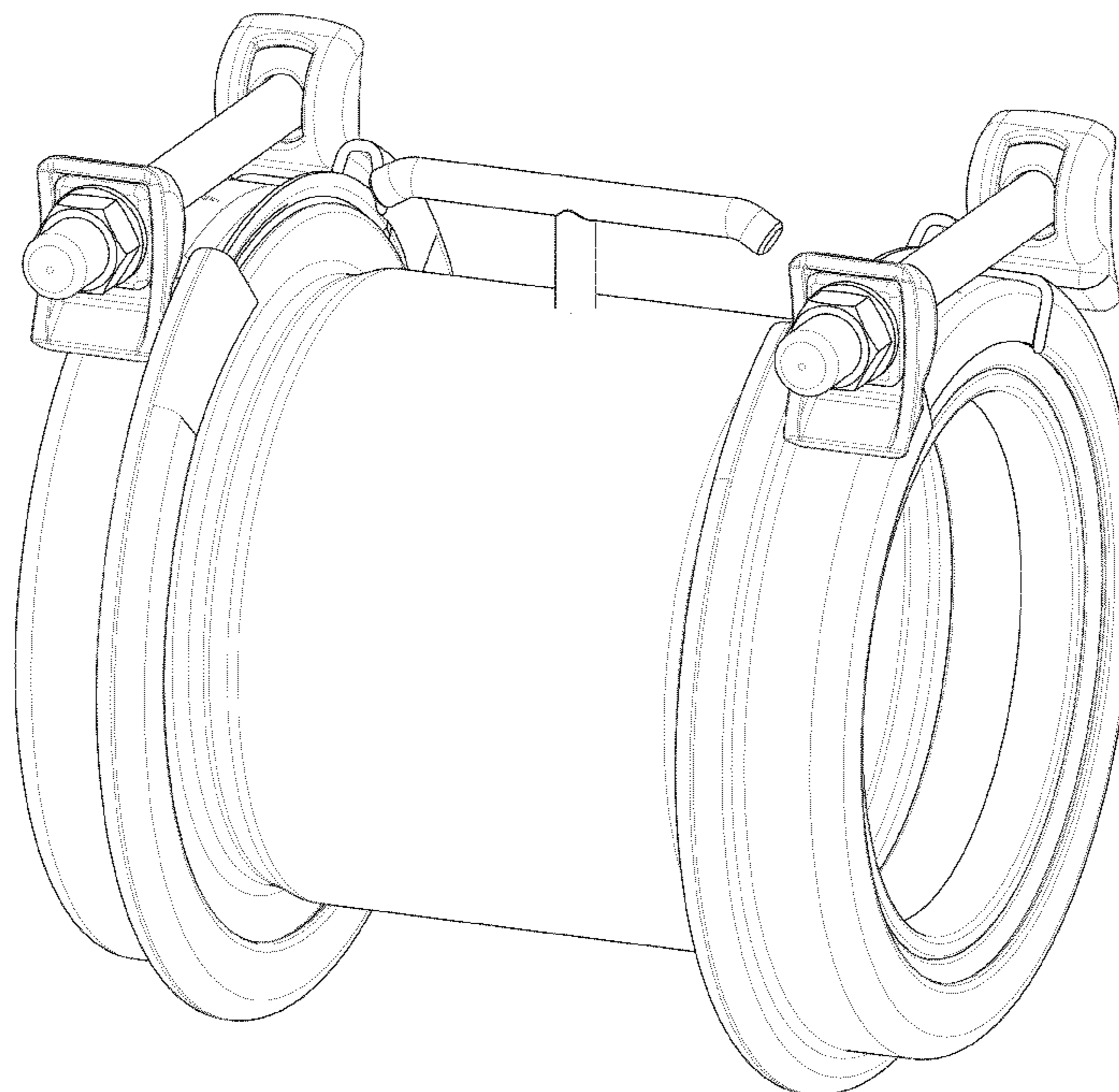
(57) **CLAIM**

The ornamental design for a pipe coupling with handle, as shown and described.

DESCRIPTION

FIG. 1 is a rear perspective view of a pipe coupling with handle, showing my new design;
FIG. 2 is a front view thereof;
FIG. 3 is a side view thereof, as viewed from the left side of FIG. 2; and,
FIG. 4 is a top view thereof.
The nature and intended use of the article in which the design is embodied is that of a coupling for sealing or repairing pipes and the like.

1 Claim, 4 Drawing Sheets



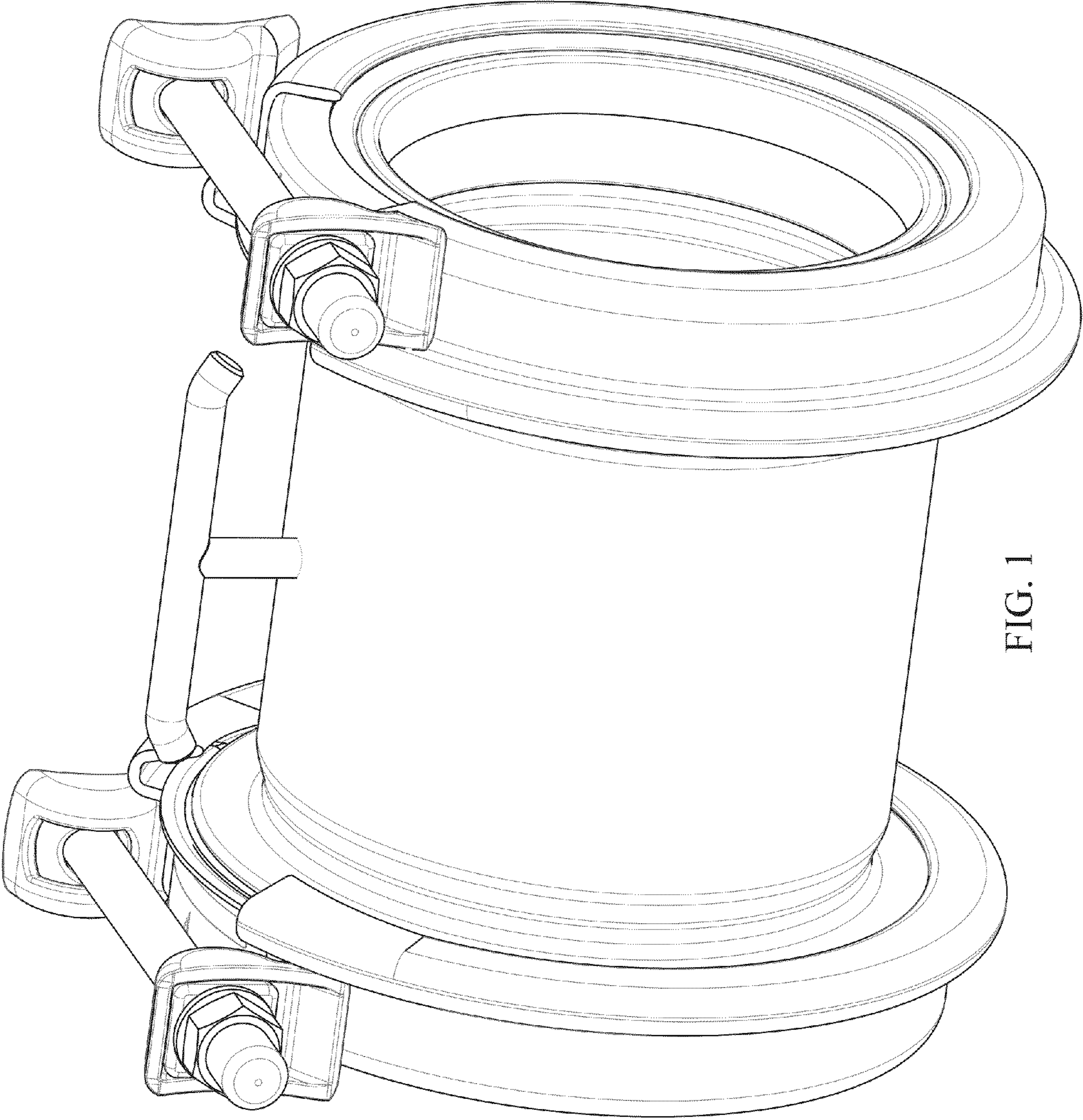


FIG. 1

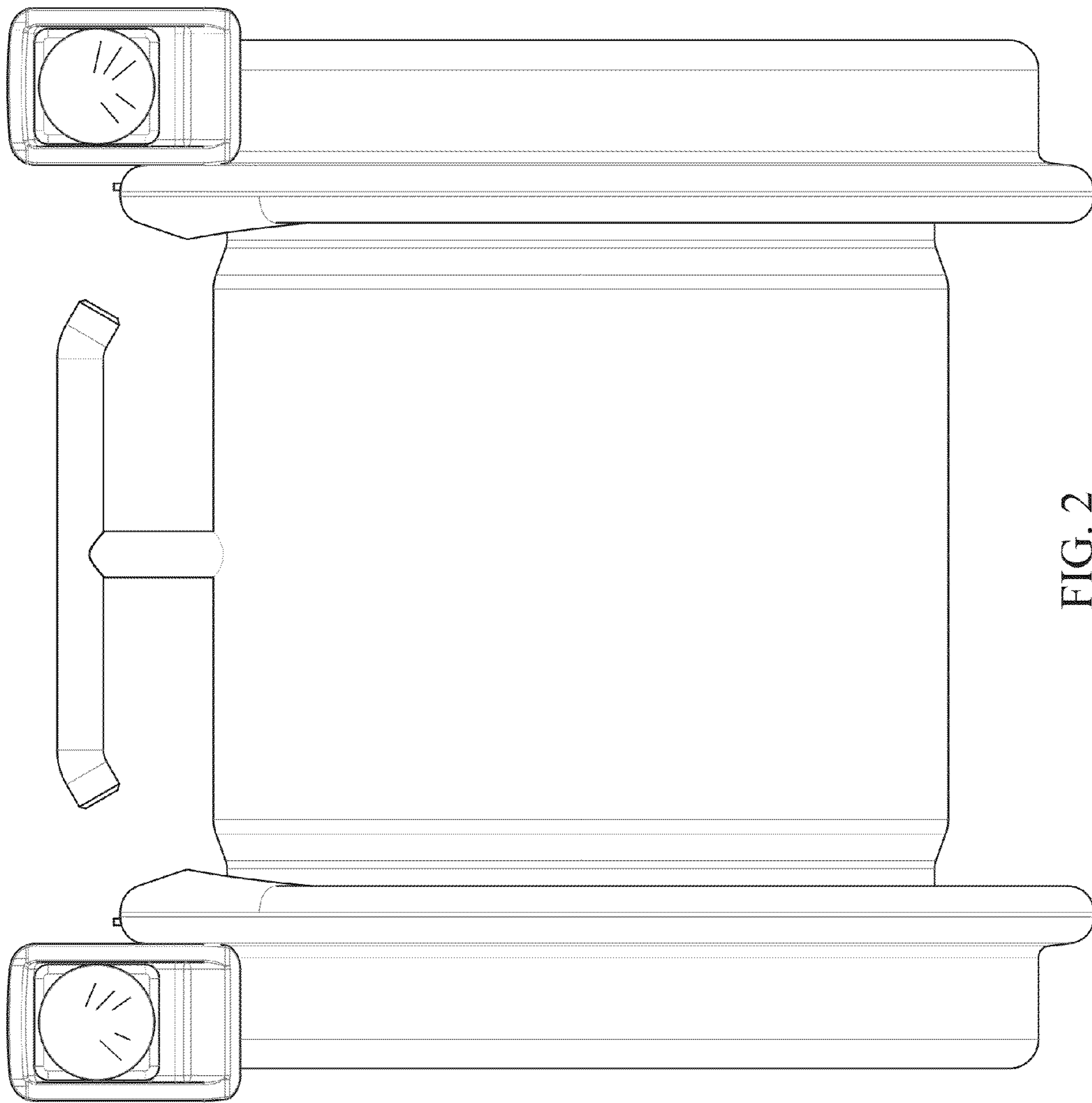


FIG. 2

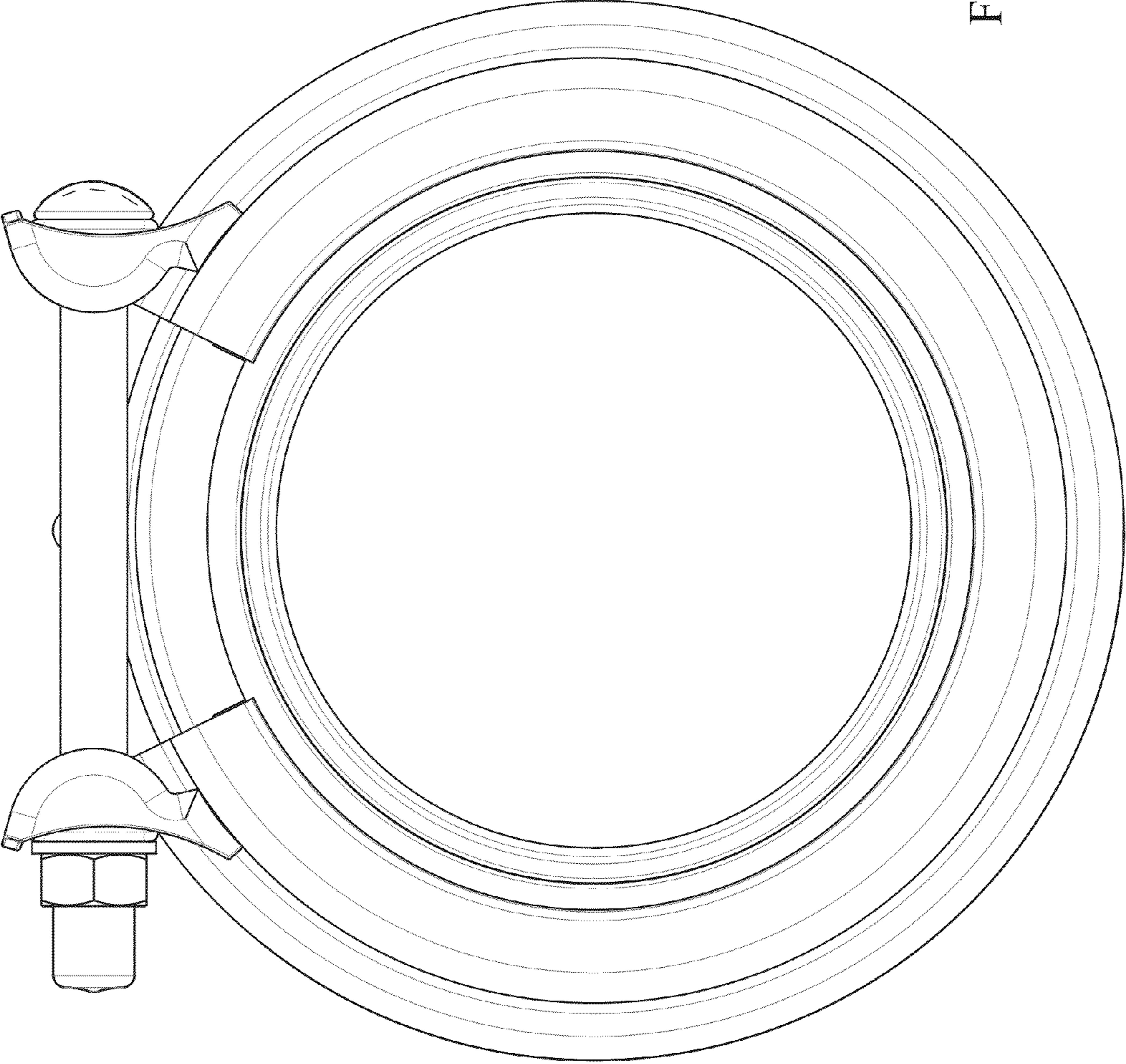


FIG. 3

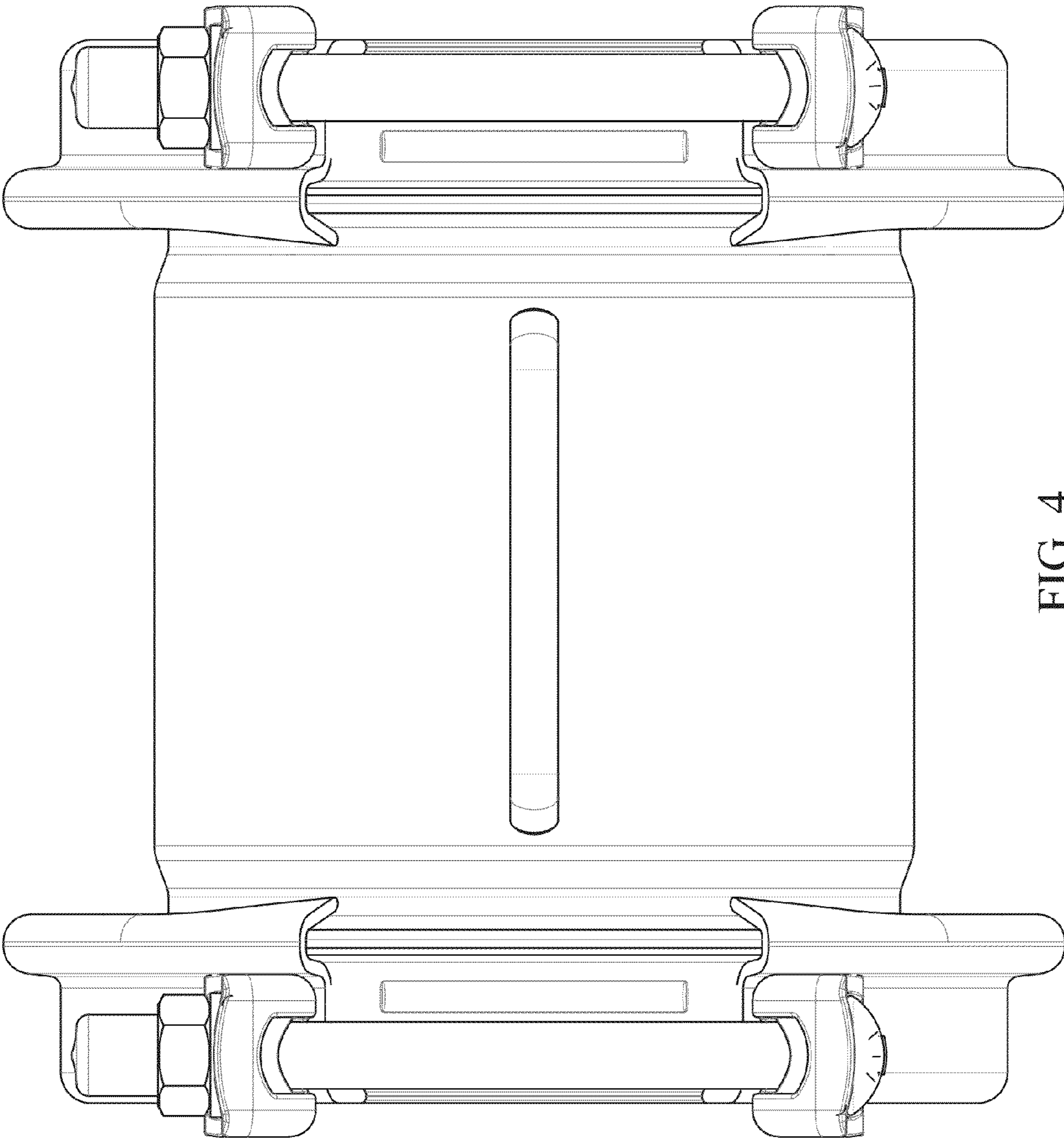


FIG. 4