



US00D724184S

(12) **United States Design Patent**
Cahill et al.

(10) **Patent No.:** **US D724,184 S**
(45) **Date of Patent:** **** Mar. 10, 2015**

- (54) **FAUCET**
- (71) Applicant: **Moen Incorporated**, North Olmsted, OH (US)
- (72) Inventors: **Sam Cahill**, Chesterland, OH (US);
David C. Loerch, North Olmsted, OH (US)
- (73) Assignee: **Moen Incorporated**, North Olmsted, OH (US)
- (**) Term: **14 Years**
- (21) Appl. No.: **29/484,857**
- (22) Filed: **Mar. 13, 2014**
- (51) **LOC (10) Cl.** **23-01**
- (52) **U.S. Cl.**
USPC **D23/255**
- (58) **Field of Classification Search**
CPC E03C 1/04; E03C 1/0401; E03C 1/0402;
E03C 1/0404
USPC D23/238, 241-243, 249, 255, 257
See application file for complete search history.

- D349,756 S 8/1994 Altman
- D349,757 S 8/1994 Altman
- D352,547 S 11/1994 McKeone
- D356,631 S 3/1995 Kolada
- D373,619 S 9/1996 Doughty et al.
- D378,123 S 2/1997 Warshawsky
- D405,165 S 2/1999 Kolada
- D407,801 S 4/1999 Kolada

(Continued)

Primary Examiner — Robert Delehanty

(74) *Attorney, Agent, or Firm* — Calfee, Halter & Griswold LLP

(57) **CLAIM**

The ornamental design for a faucet, as shown and described.

DESCRIPTION

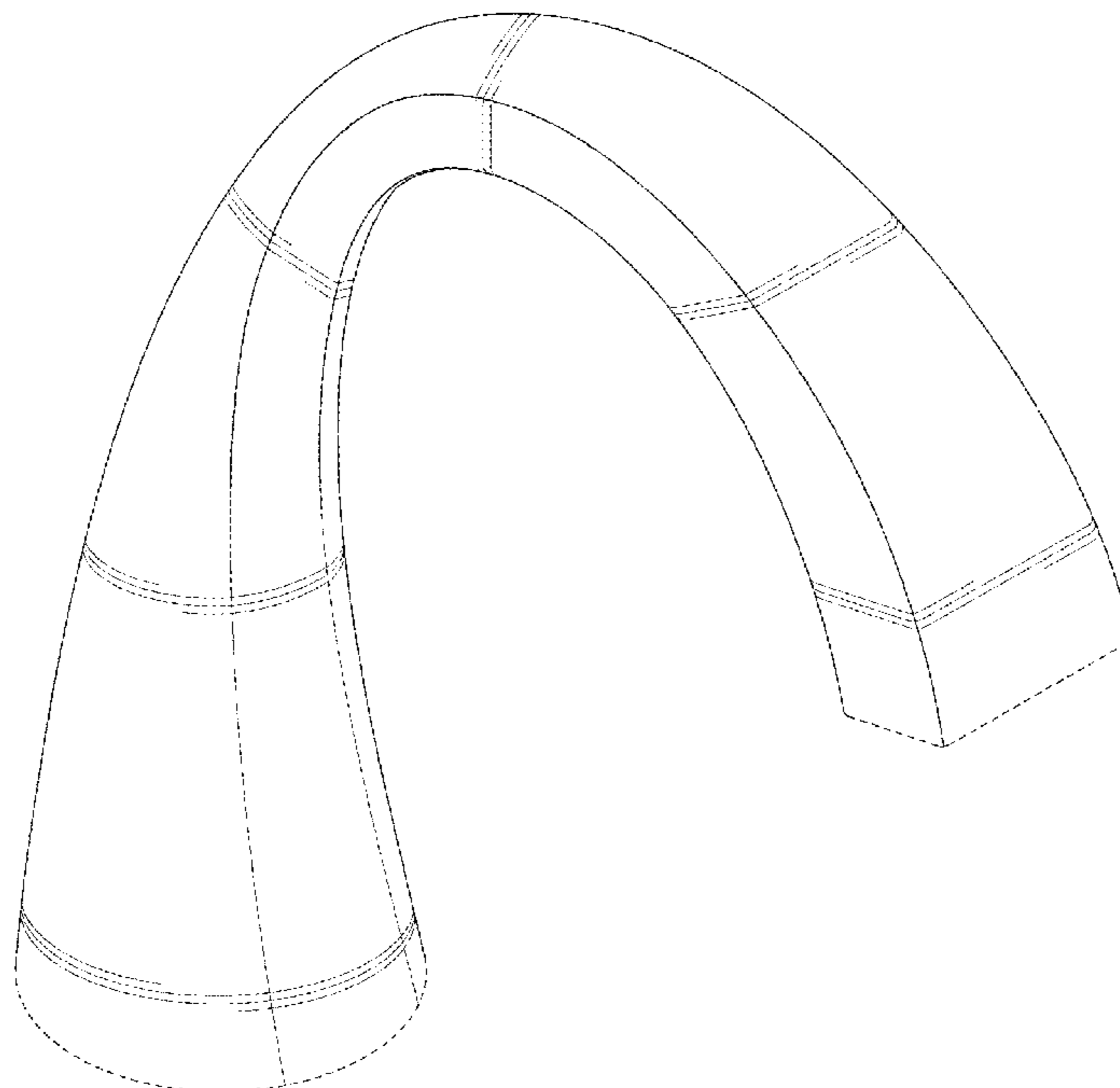
FIG. 1 is a perspective view of a first embodiment of a faucet of the new design;
 FIG. 2 is a front elevational view of the faucet of FIG. 1;
 FIG. 3 is a rear elevational view of the faucet of FIG. 1;
 FIG. 4 is a left side elevational view of the faucet of FIG. 1;
 FIG. 5 is a right side elevational view of the faucet of FIG. 1;
 FIG. 6 is a top plan view of the faucet of FIG. 1;
 FIG. 7 is a bottom plan view of the faucet of FIG. 1;
 FIG. 8 is a perspective view of a second embodiment of a faucet of the new design;
 FIG. 9 is a front elevational view of the faucet of FIG. 8;
 FIG. 10 is a rear elevational view of the faucet of FIG. 8;
 FIG. 11 is a left side elevational view of the faucet of FIG. 8;
 FIG. 12 is a right side elevational view of the faucet of FIG. 8;
 FIG. 13 is a top plan view of the faucet of FIG. 8; and,
 FIG. 14 is a bottom plan view of the faucet of FIG. 8.
 The portions of the Figures shown in broken lines are not part of the claimed design and are for illustration only.

(56) **References Cited**

U.S. PATENT DOCUMENTS

- D273,512 S 4/1984 Arnolds
- D278,270 S 4/1985 Niemann
- D278,271 S 4/1985 Niemann
- D279,598 S 7/1985 Rademacher
- D291,117 S 7/1987 Ryan
- 4,757,841 A 7/1988 Lucas
- D324,259 S 2/1992 Yost
- D329,688 S 9/1992 Yost

1 Claim, 10 Drawing Sheets



(56)

References Cited

U.S. PATENT DOCUMENTS

D421,642 S 3/2000 Ko
 D431,630 S 10/2000 Lord
 6,220,279 B1 * 4/2001 Segien 137/359
 D466,196 S 11/2002 Otero et al.
 D488,540 S 4/2004 Ouyoung
 D511,817 S 11/2005 Ouyoung
 D525,679 S 7/2006 Gilbert
 D525,682 S 7/2006 Gilbert
 D549,305 S 8/2007 Sedwick
 D601,668 S 10/2009 Williams
 D604,808 S 11/2009 Williams

D607,976 S 1/2010 Lammel et al.
 D620,083 S 7/2010 Zhang
 D622,354 S 8/2010 Yu
 D624,630 S 9/2010 Matsuura et al.
 D624,990 S 10/2010 Joerger et al.
 D640,773 S 6/2011 Ke et al.
 D646,365 S * 10/2011 Parekh D23/290
 D647,180 S * 10/2011 Slothower et al. D23/257
 D652,117 S 1/2012 Slothower et al.
 D667,932 S 9/2012 Kulig et al.
 D681,166 S 4/2013 Romero et al.
 D681,167 S 4/2013 Romero et al.
 D681,168 S 4/2013 Romero et al.
 2005/0103389 A1 5/2005 Wei

* cited by examiner

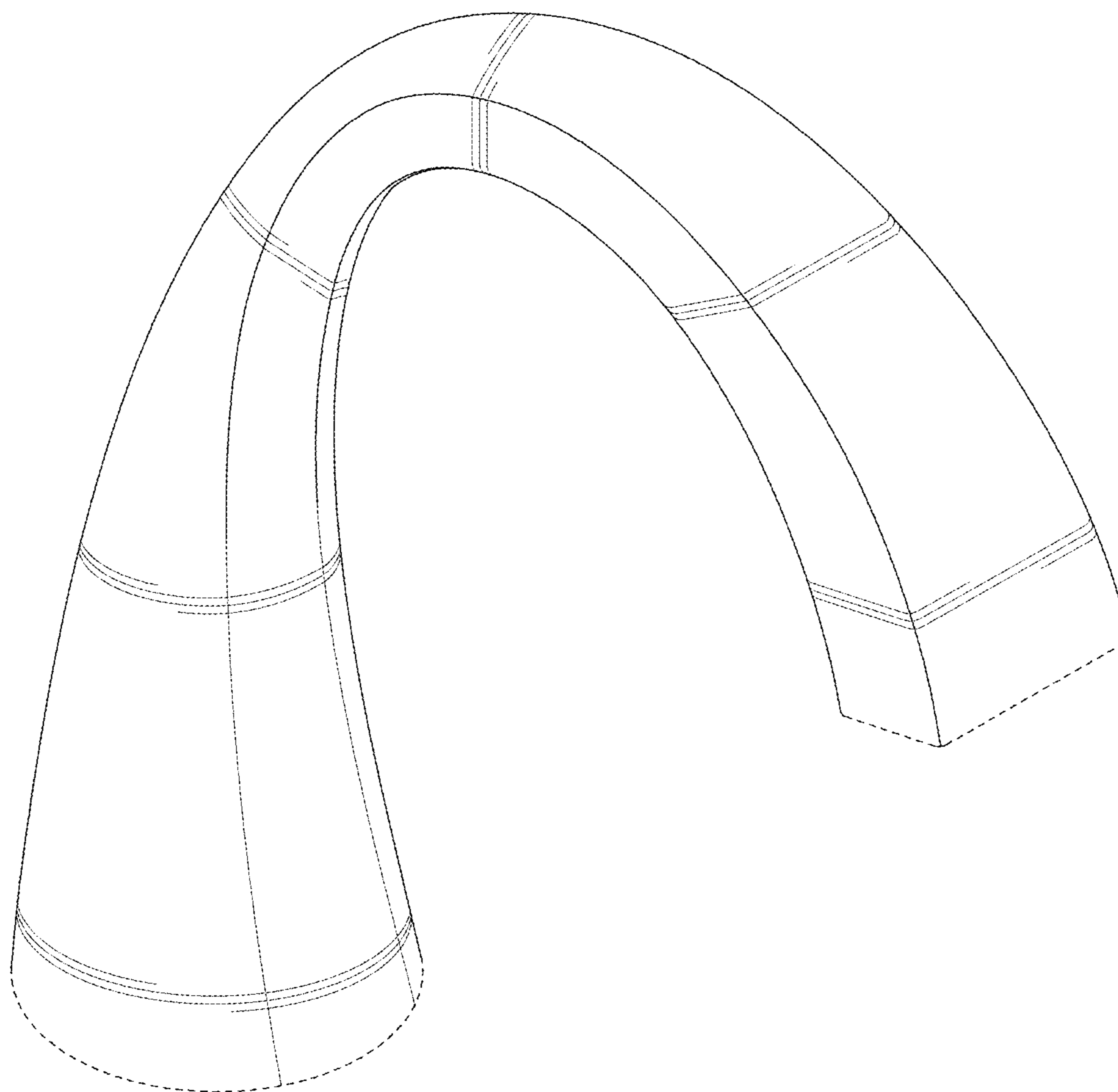


FIG. 1

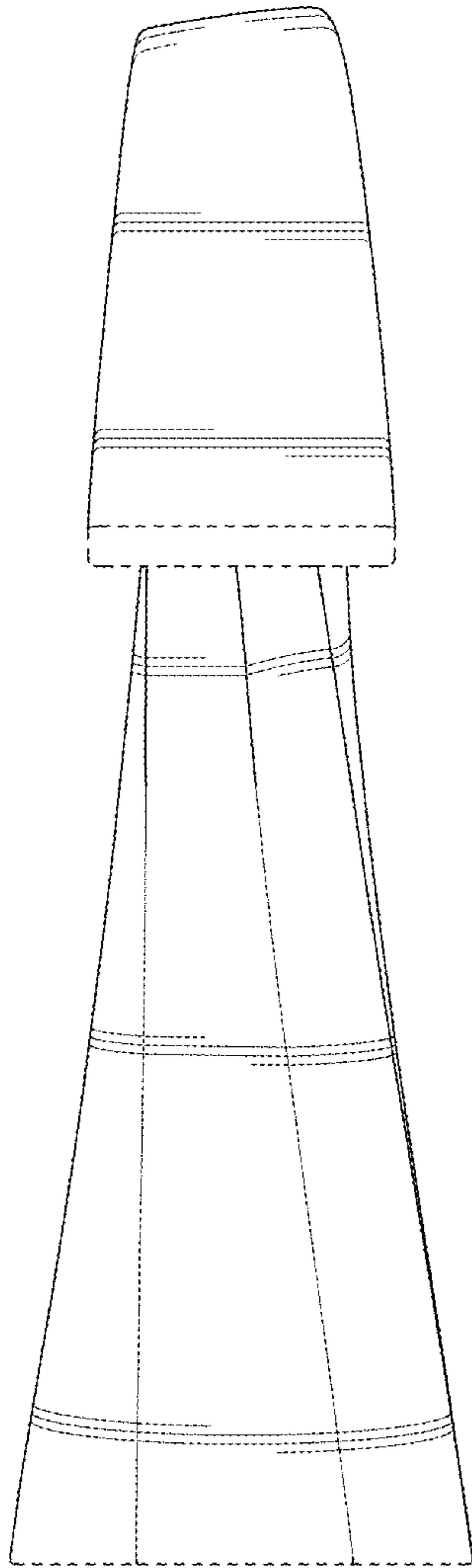


FIG. 2

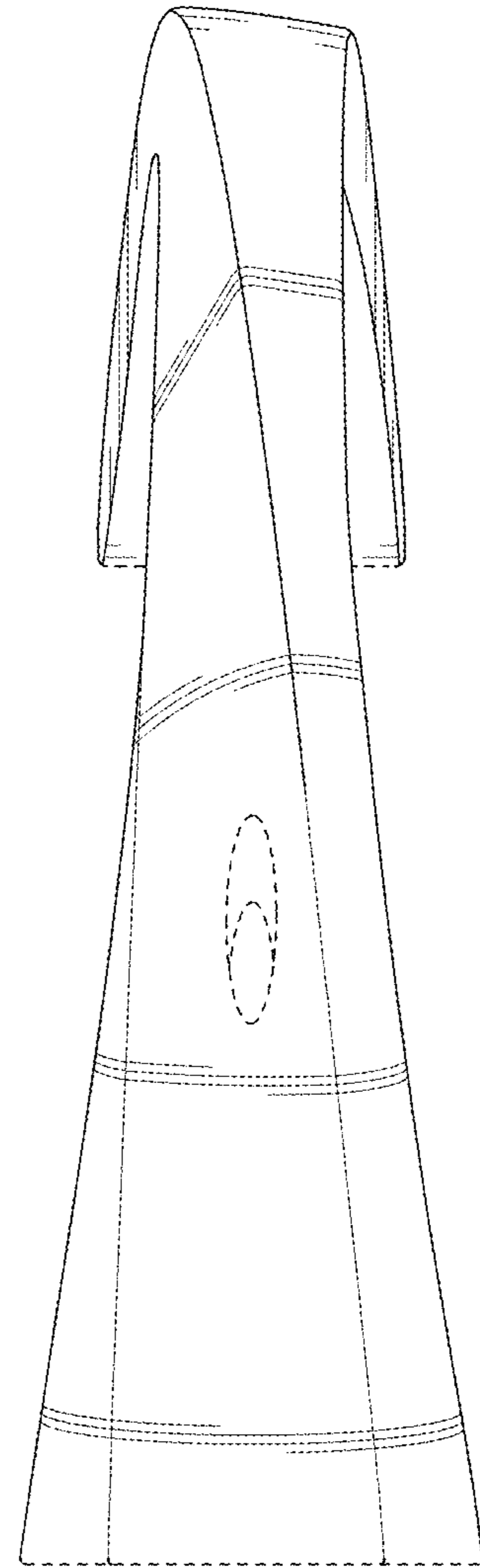


FIG. 3

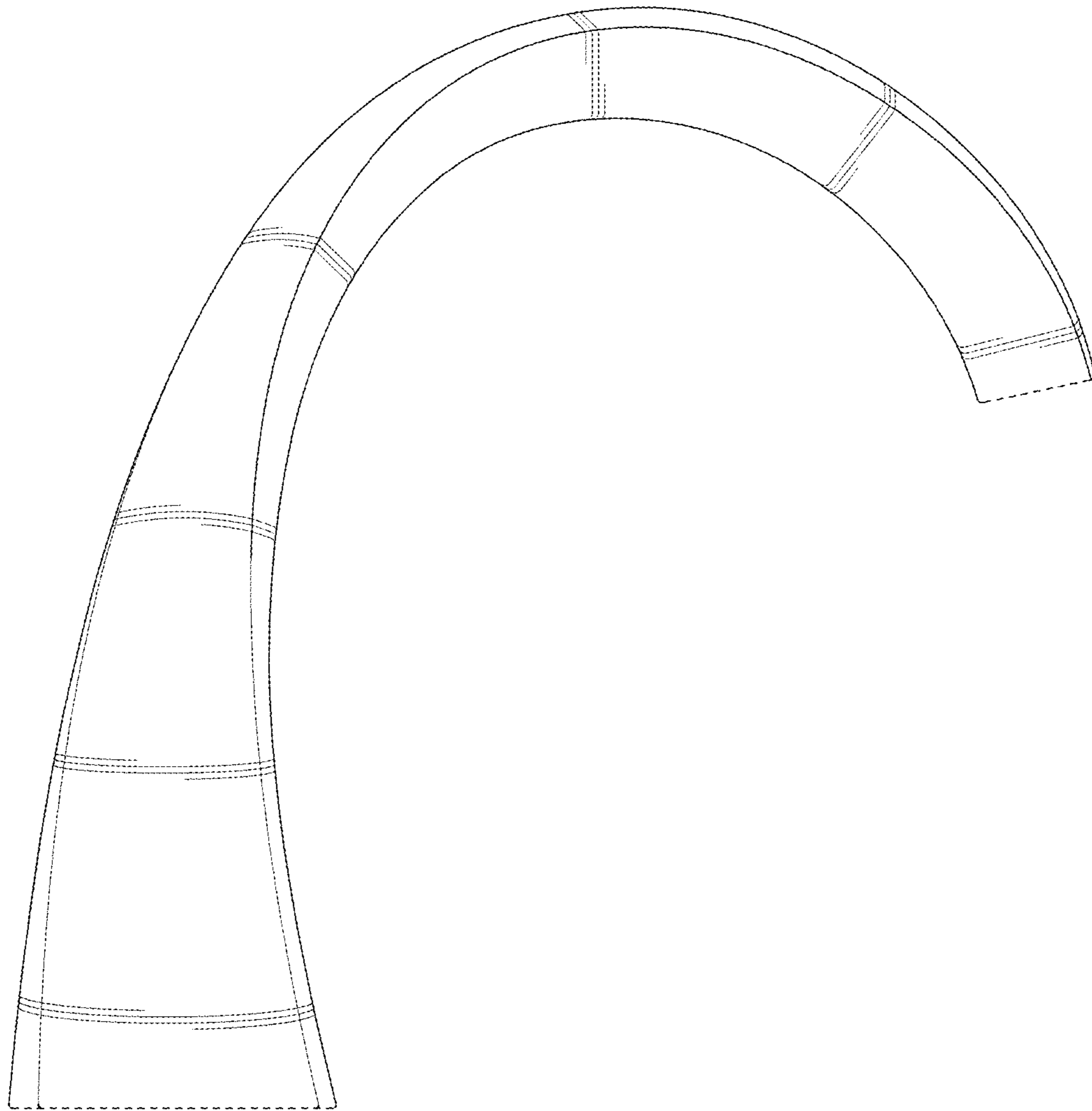


FIG. 4

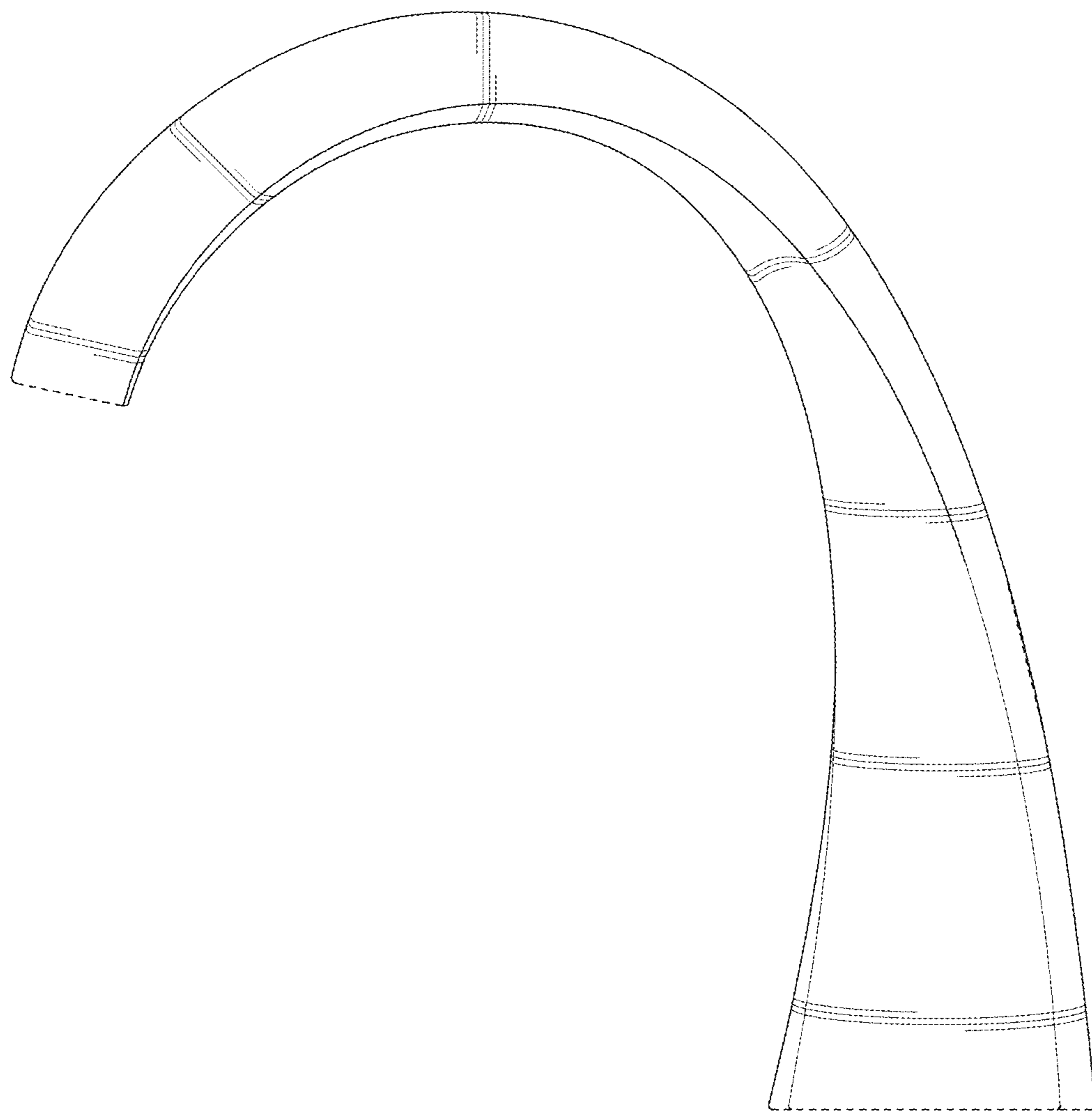


FIG. 5

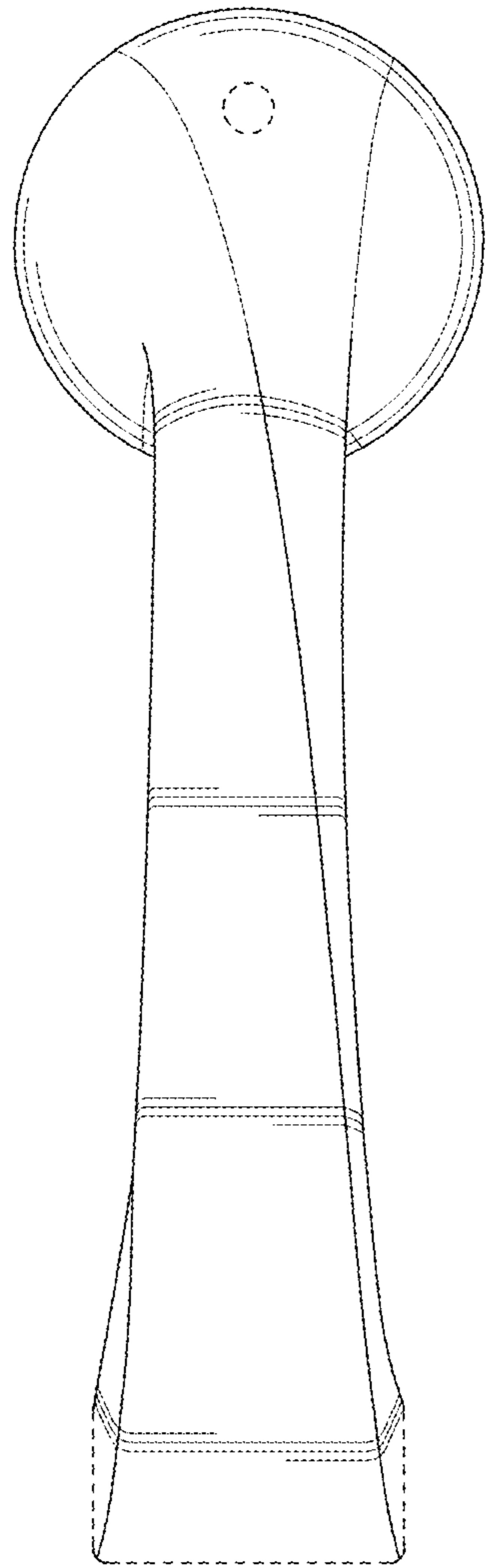


FIG. 6

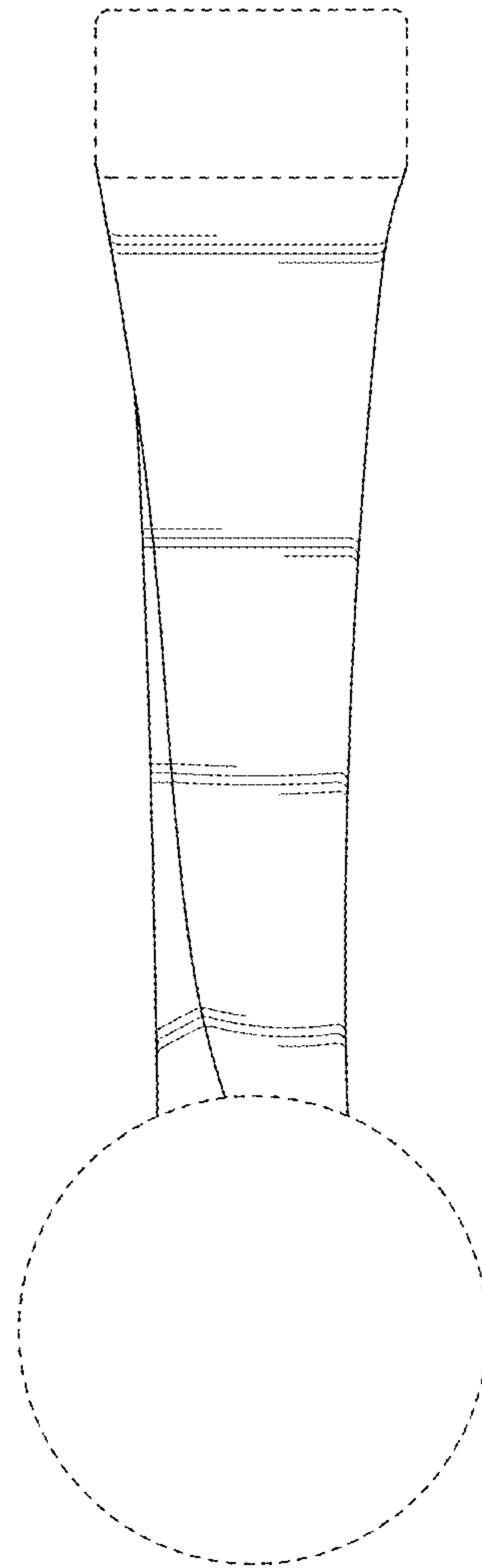


FIG. 7

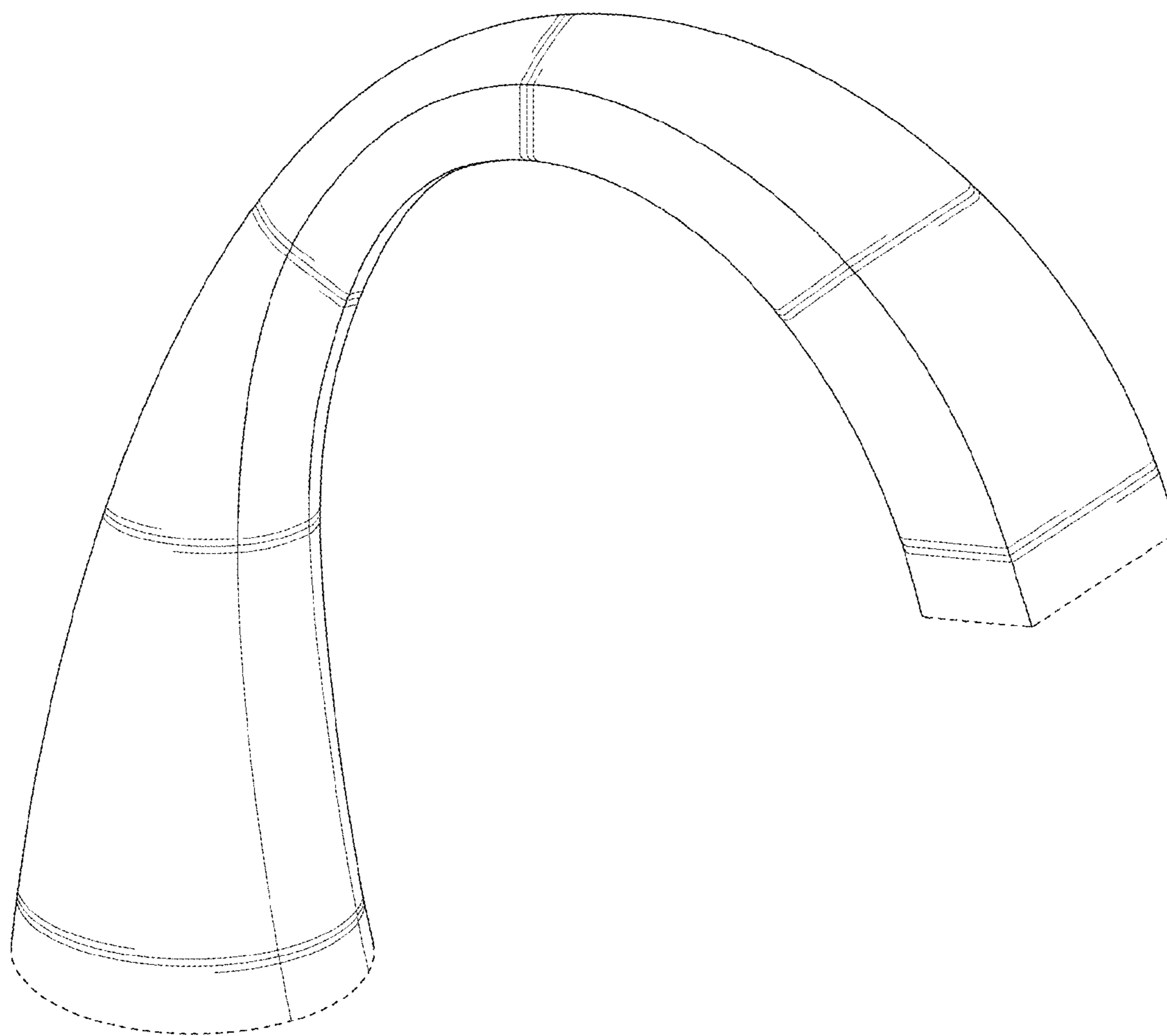


FIG. 8

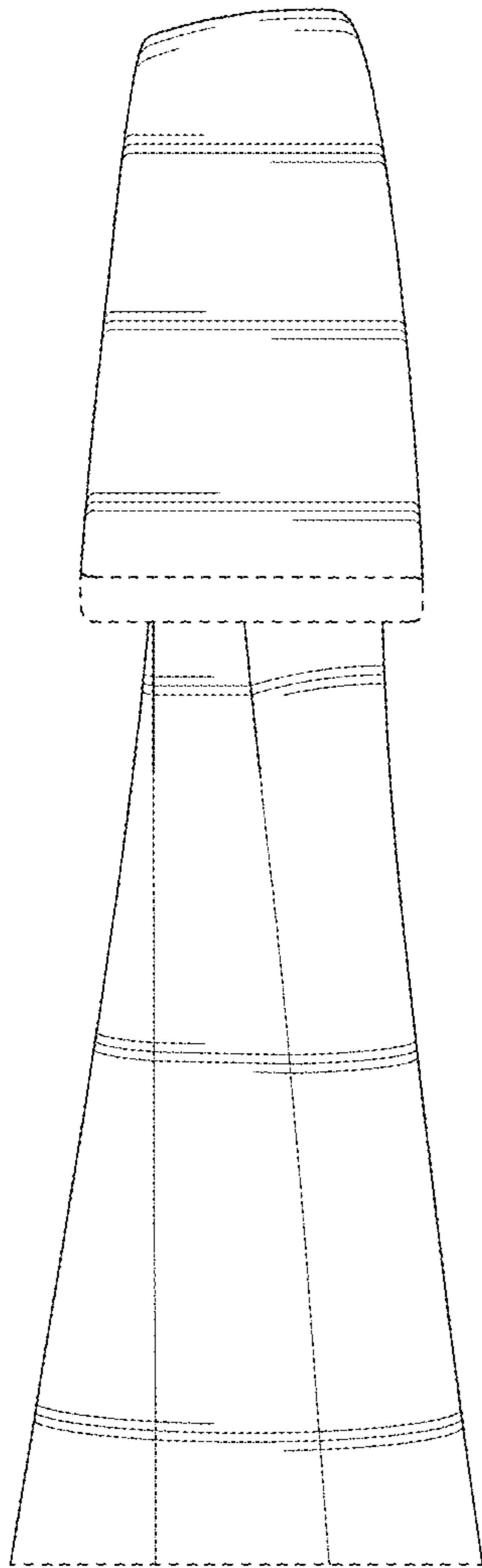


FIG. 9

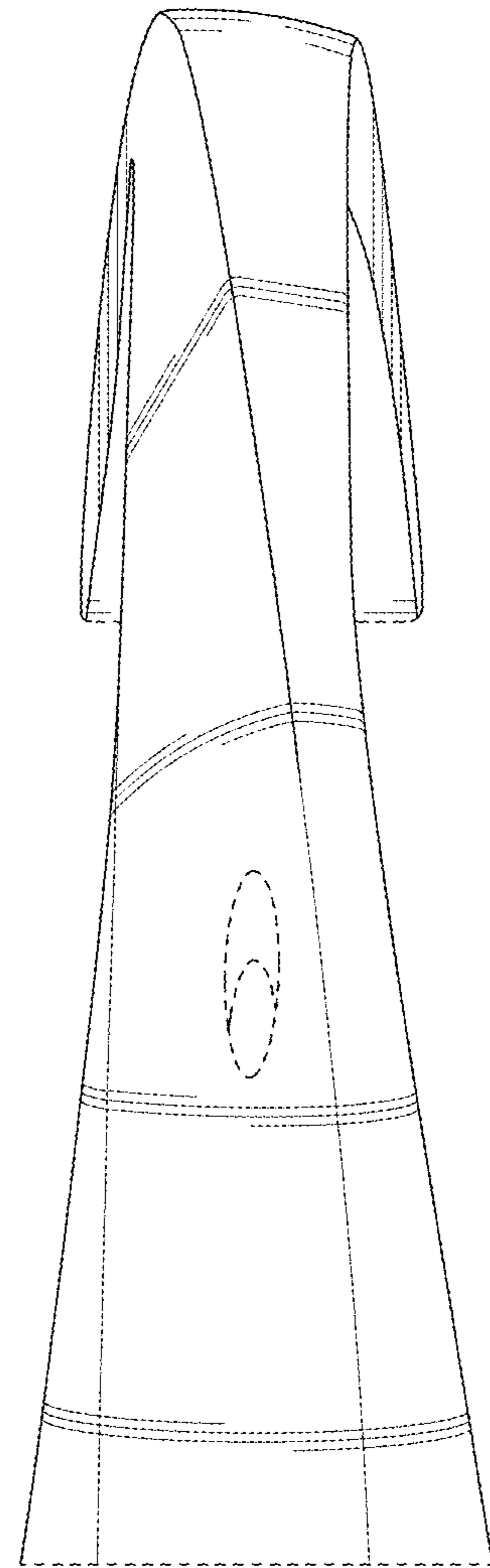


FIG. 10

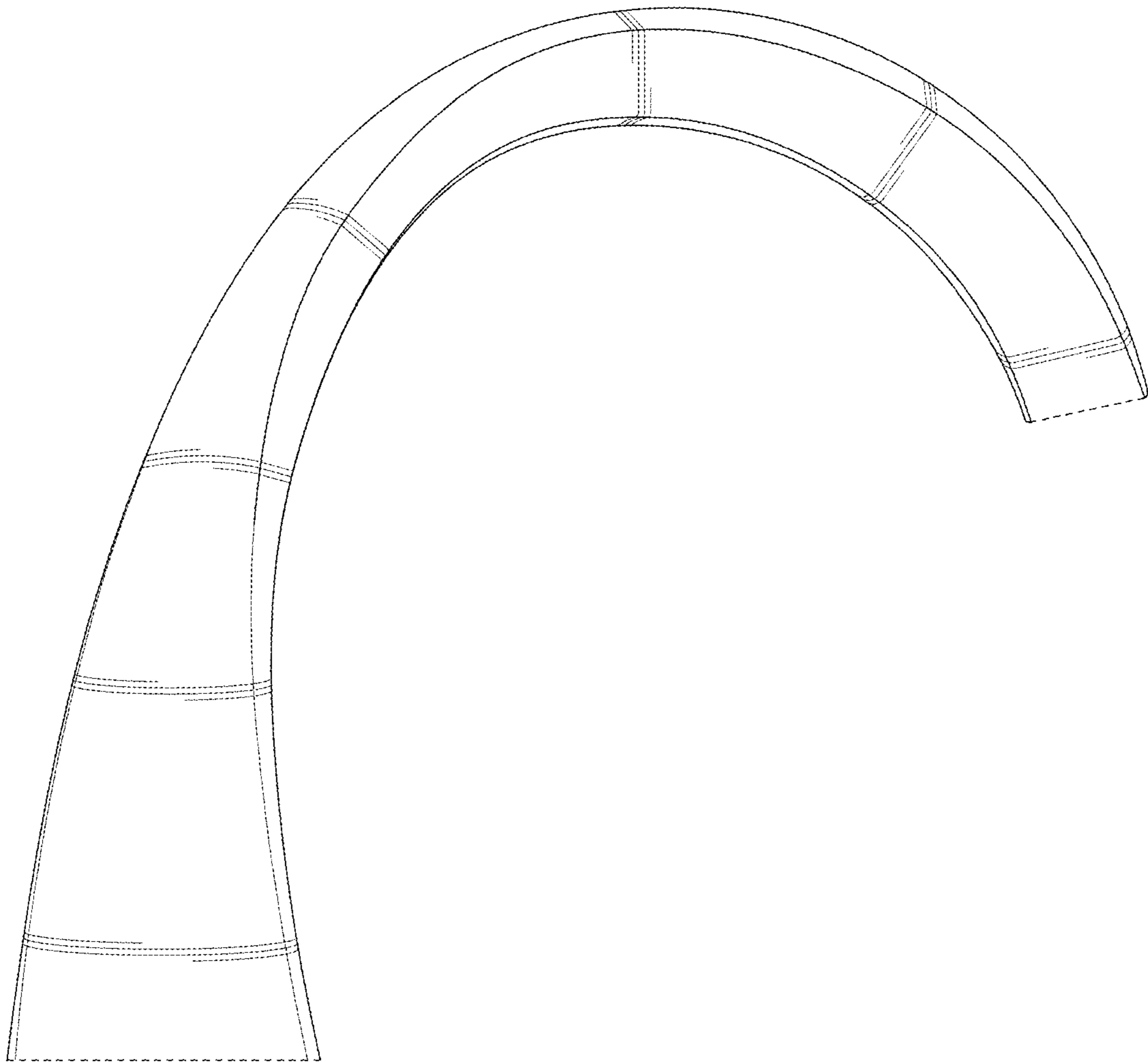


FIG. 11

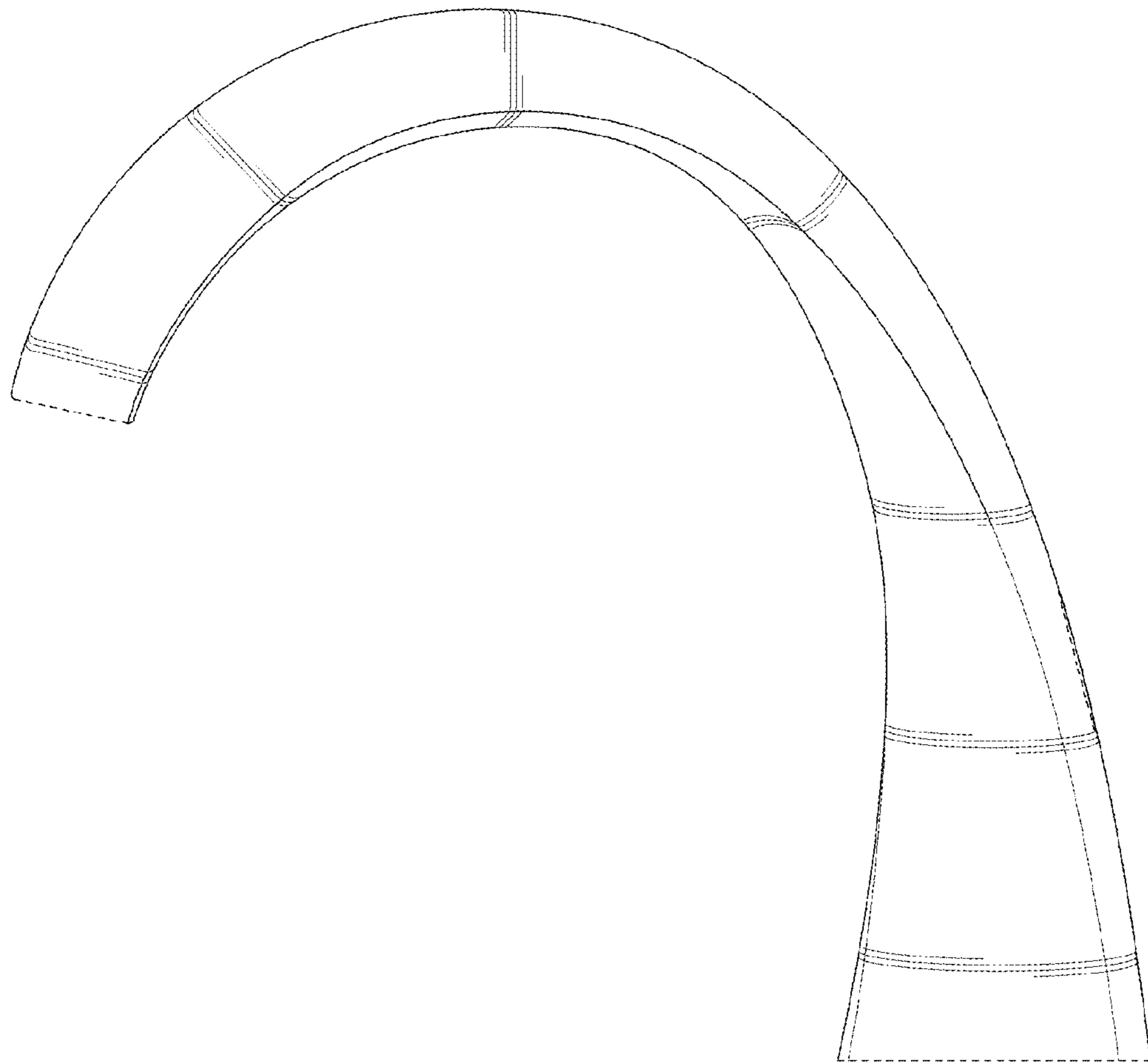


FIG. 12

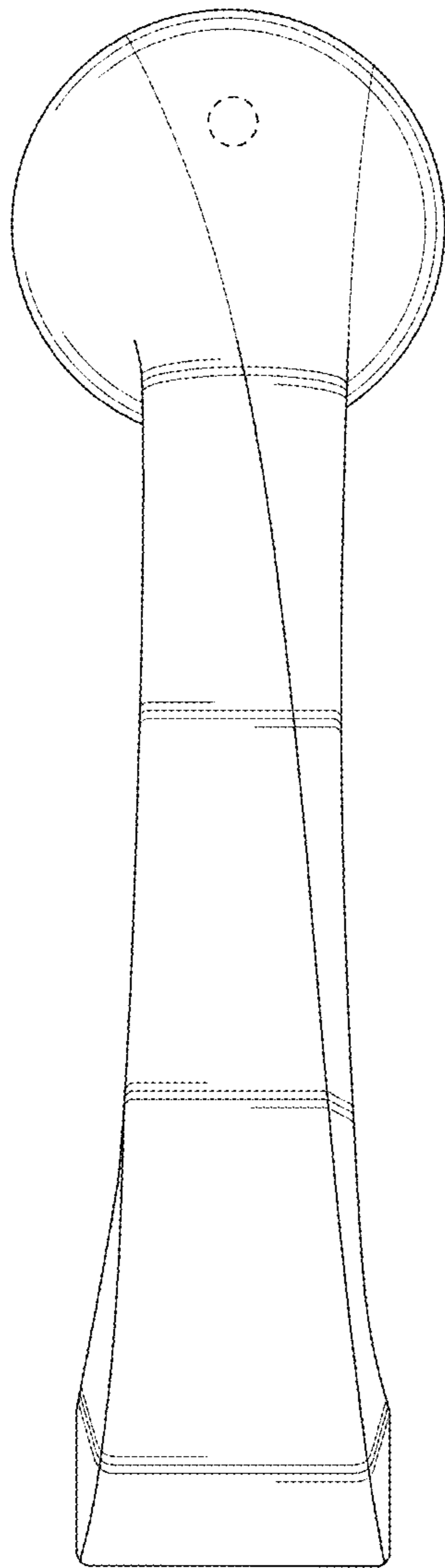


FIG. 13

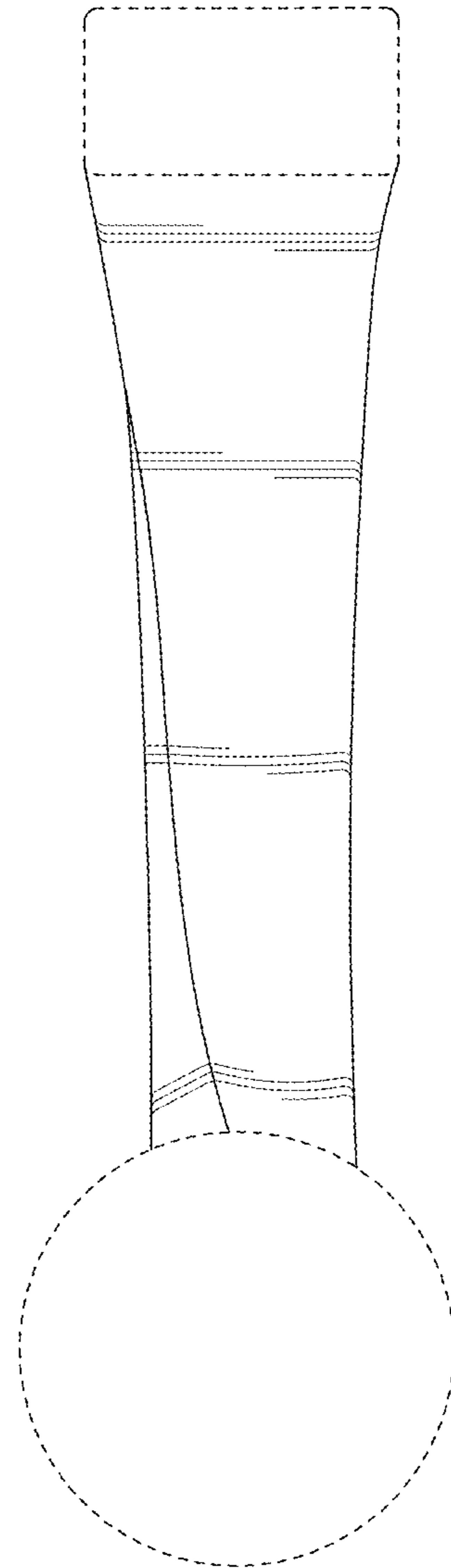


FIG. 14