



US00D724183S

(12) **United States Design Patent**  
**Tomasello**

(10) **Patent No.:** **US D724,183 S**  
(45) **Date of Patent:** **\*\* Mar. 10, 2015**

(54) **SOFT COVER FOR A BATHTUB DRAIN HANDLE**

(74) *Attorney, Agent, or Firm* — Daniel N. Smith

(71) Applicant: **Brian Tomasello**, Boston, MA (US)

(57) **CLAIM**  
The ornamental design for a soft cover for a bathtub drain handle, as shown and described.

(72) Inventor: **Brian Tomasello**, Boston, MA (US)

(\*\*) Term: **14 Years**

**DESCRIPTION**

(21) Appl. No.: **29/478,908**

FIG. 1 is a front view of a soft cover for a bathtub drain handle showing my new design;

(22) Filed: **Jan. 9, 2014**

FIG. 2 is a rear view of the soft cover for a bathtub drain handle;

(51) **LOC (10) Cl.** ..... **23-01**

FIG. 3 is a top view of the soft cover for a bathtub drain handle;

(52) **U.S. Cl.**  
USPC ..... **D23/255**

FIG. 4 is a bottom view of the soft cover for a bathtub drain handle;

(58) **Field of Classification Search**  
USPC ..... D23/303–304, 255, 222; 4/675–678,  
4/661; 137/801; 239/17, 25–27  
See application file for complete search history.

FIG. 5 is a right view of the soft cover for a bathtub drain handle over a bathtub drain handle;

FIG. 6 is a top perspective view of the soft cover for a bathtub drain handle over the bathtub drain handle;

(56) **References Cited**

**U.S. PATENT DOCUMENTS**

4,821,960	A *	4/1989	Goldman	.....	D23/222
5,125,577	A *	6/1992	Frankel	.....	D23/222
5,337,956	A *	8/1994	Crutcher	.....	D23/222
D417,706	S *	12/1999	Yamazaki	.....	D23/222
7,818,830	B2 *	10/2010	Thorne et al.	.....	4/675
8,371,514	B2 *	2/2013	Finell	.....	239/289

FIG. 7 is a right view of the soft cover for a bathtub drain handle without attachment suction cups;

FIG. 8 is a front view of the soft cover for a bathtub drain handle without attachment suction cups;

FIG. 9 is a top perspective view of one of the attachment suction cups for the soft cover for a bathtub drain handle;

FIG. 10 is a side view of one of the attachment suction cups for the soft cover for a bathtub drain handle; and,

FIG. 11 is a front view of one of the attachment suction cups for the soft cover for a bathtub drain handle.

\* cited by examiner

*Primary Examiner* — Robert Delehanty

**1 Claim, 11 Drawing Sheets**

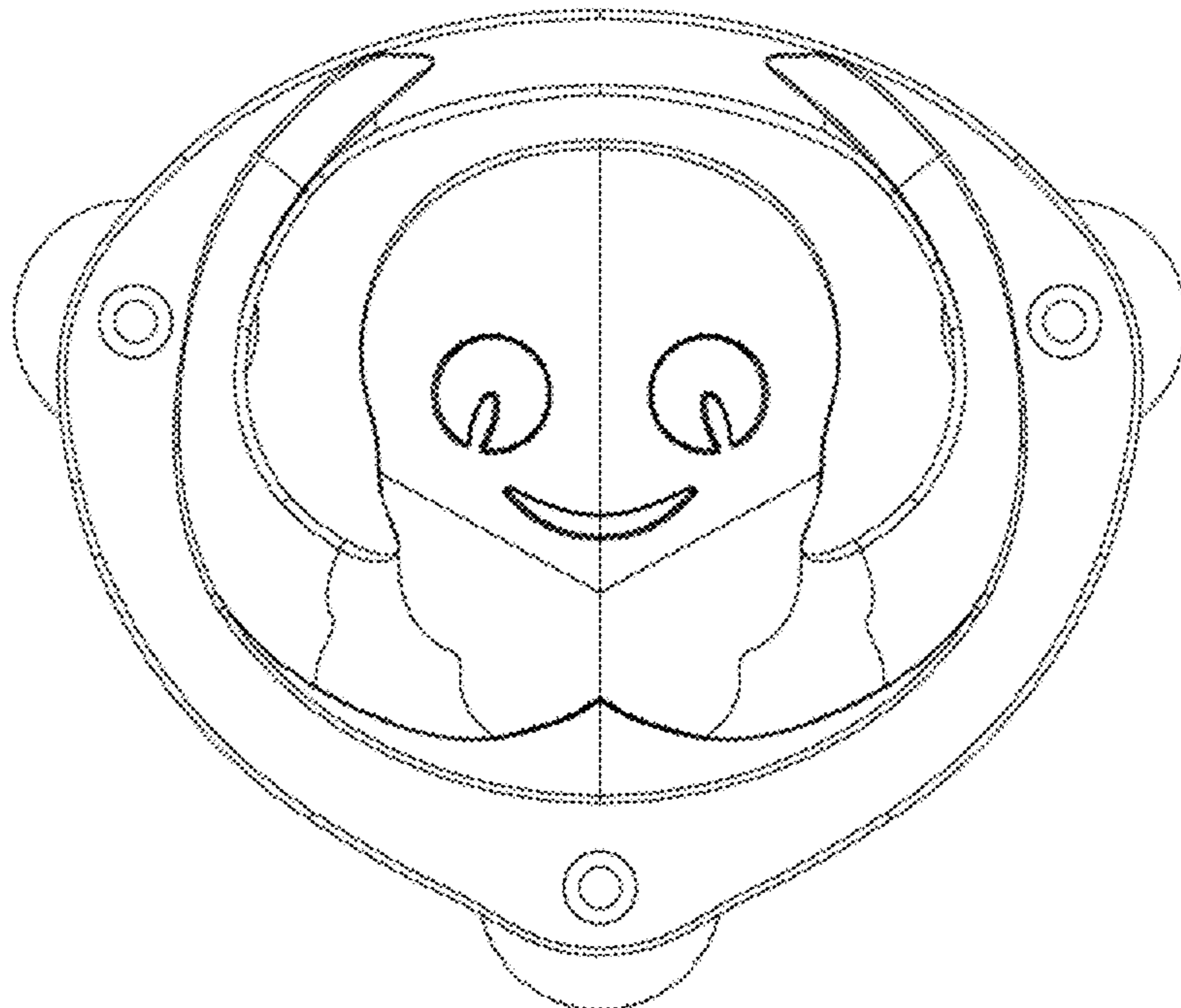


FIG. 1

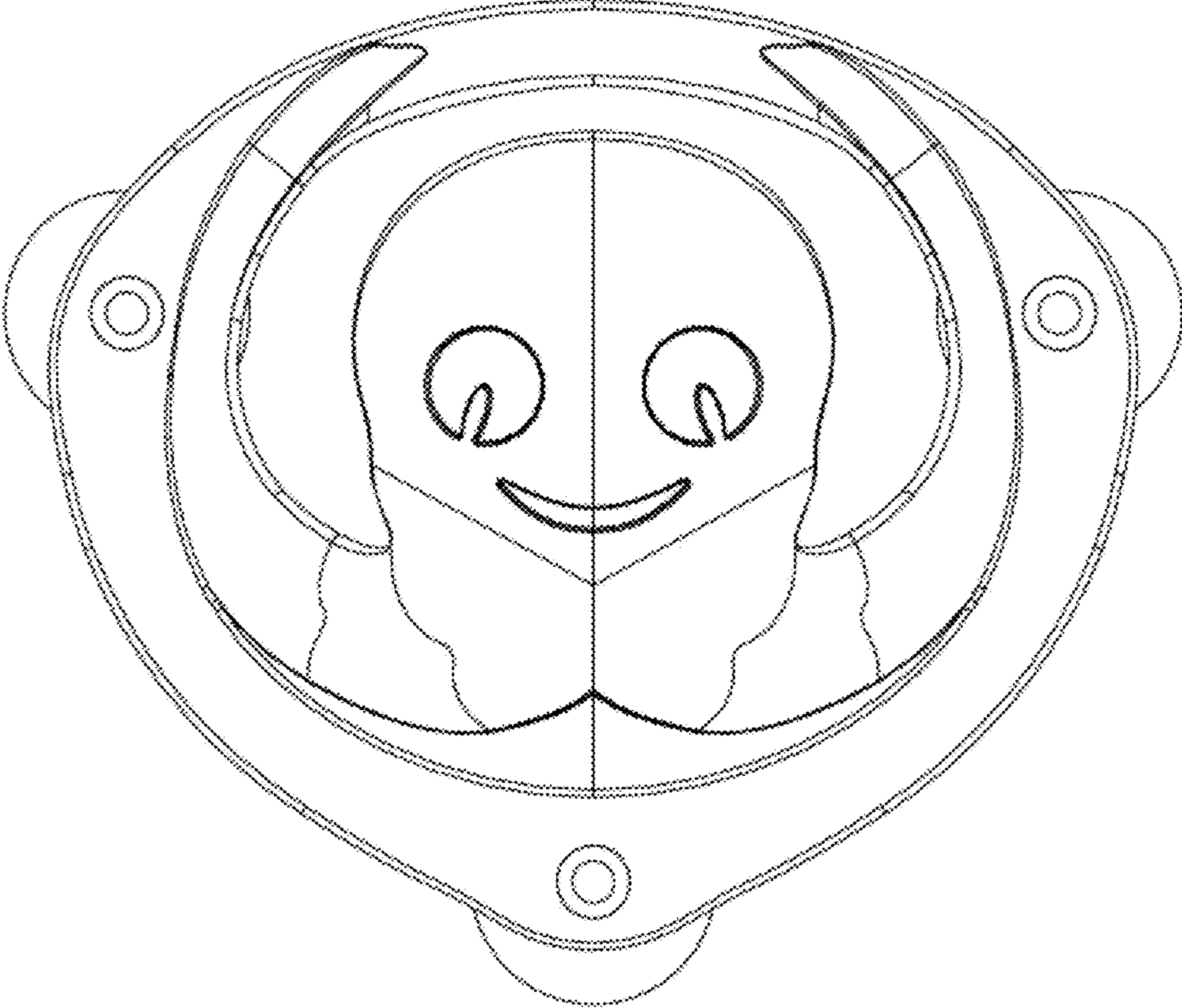


FIG. 2

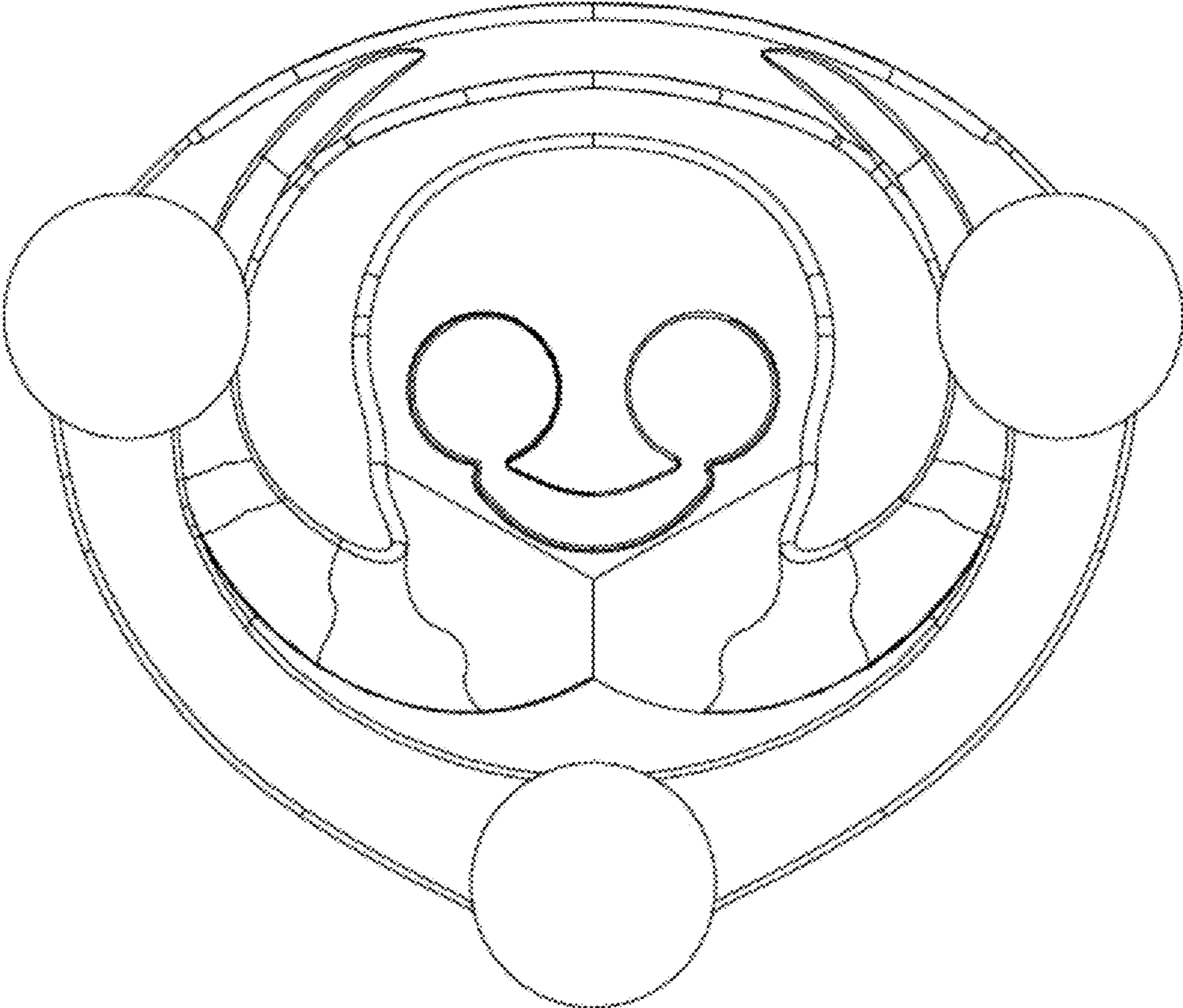


FIG. 3

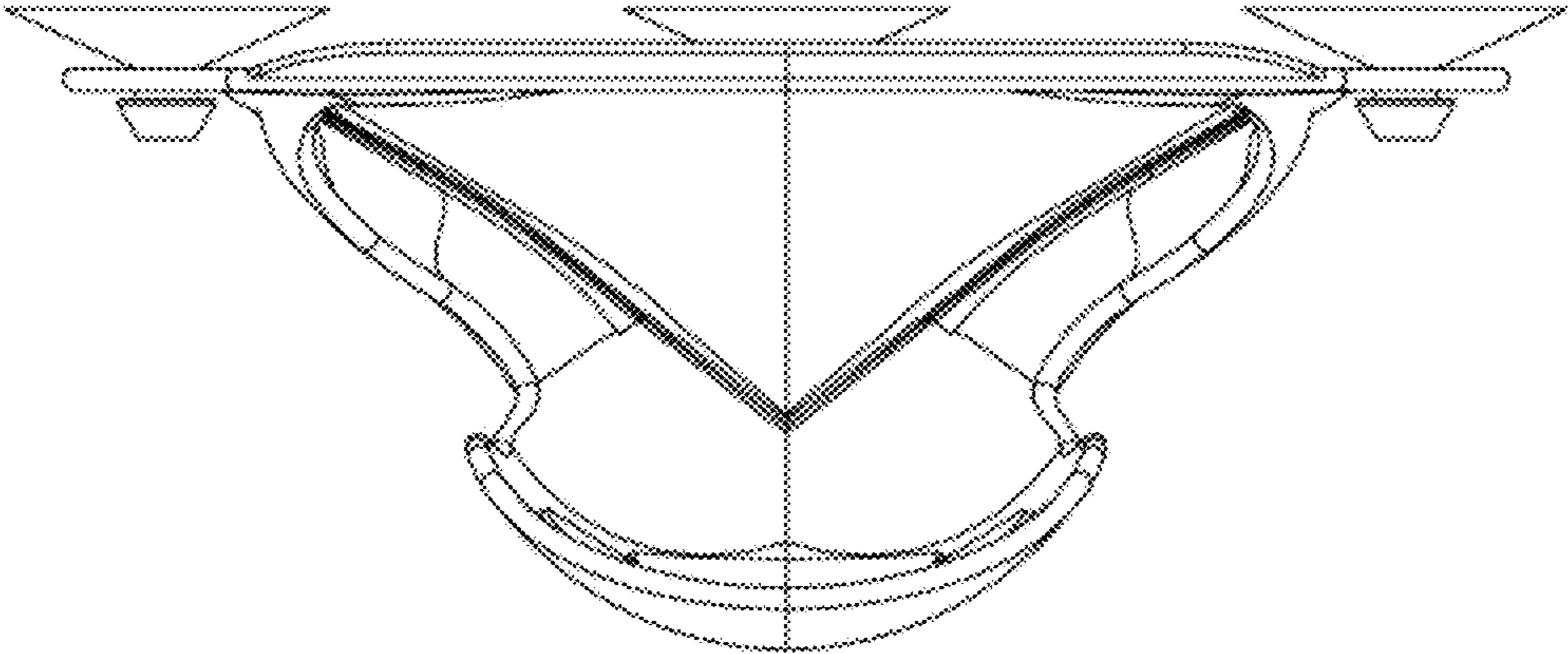




FIG. 4

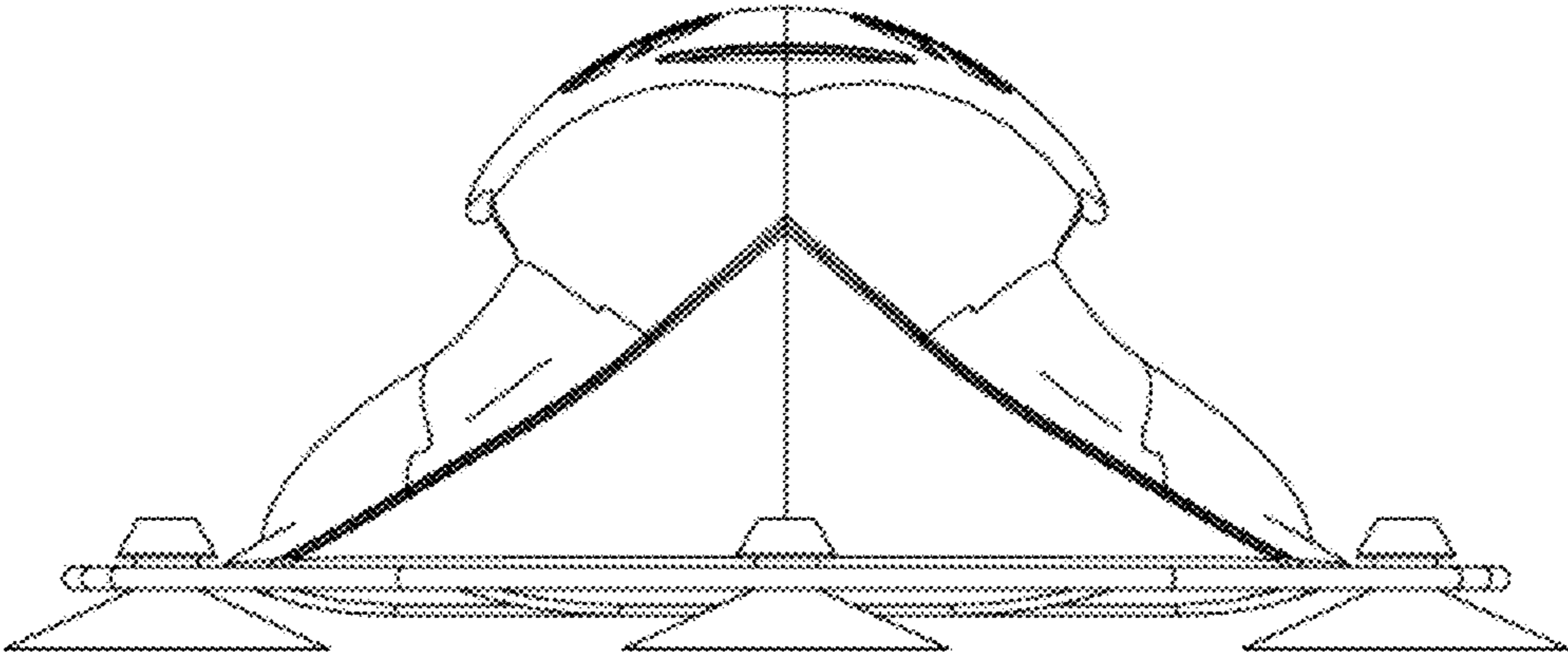


FIG. 5

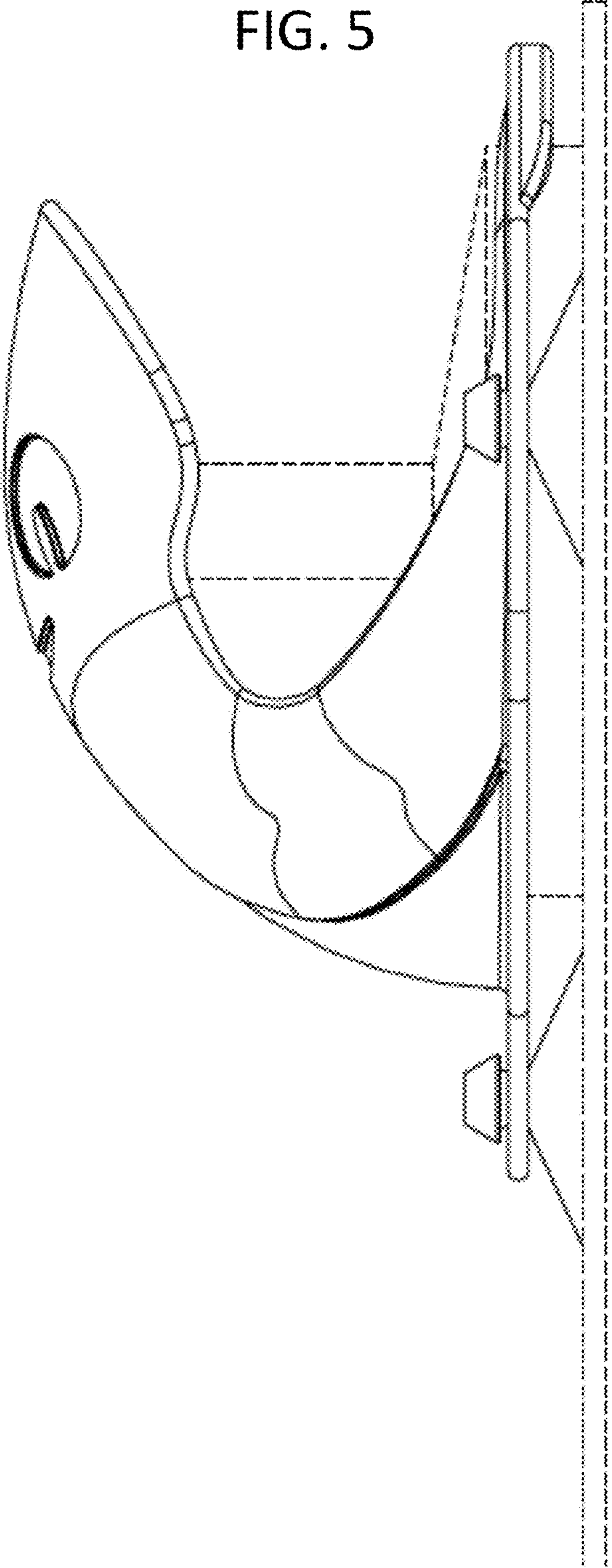


FIG. 6

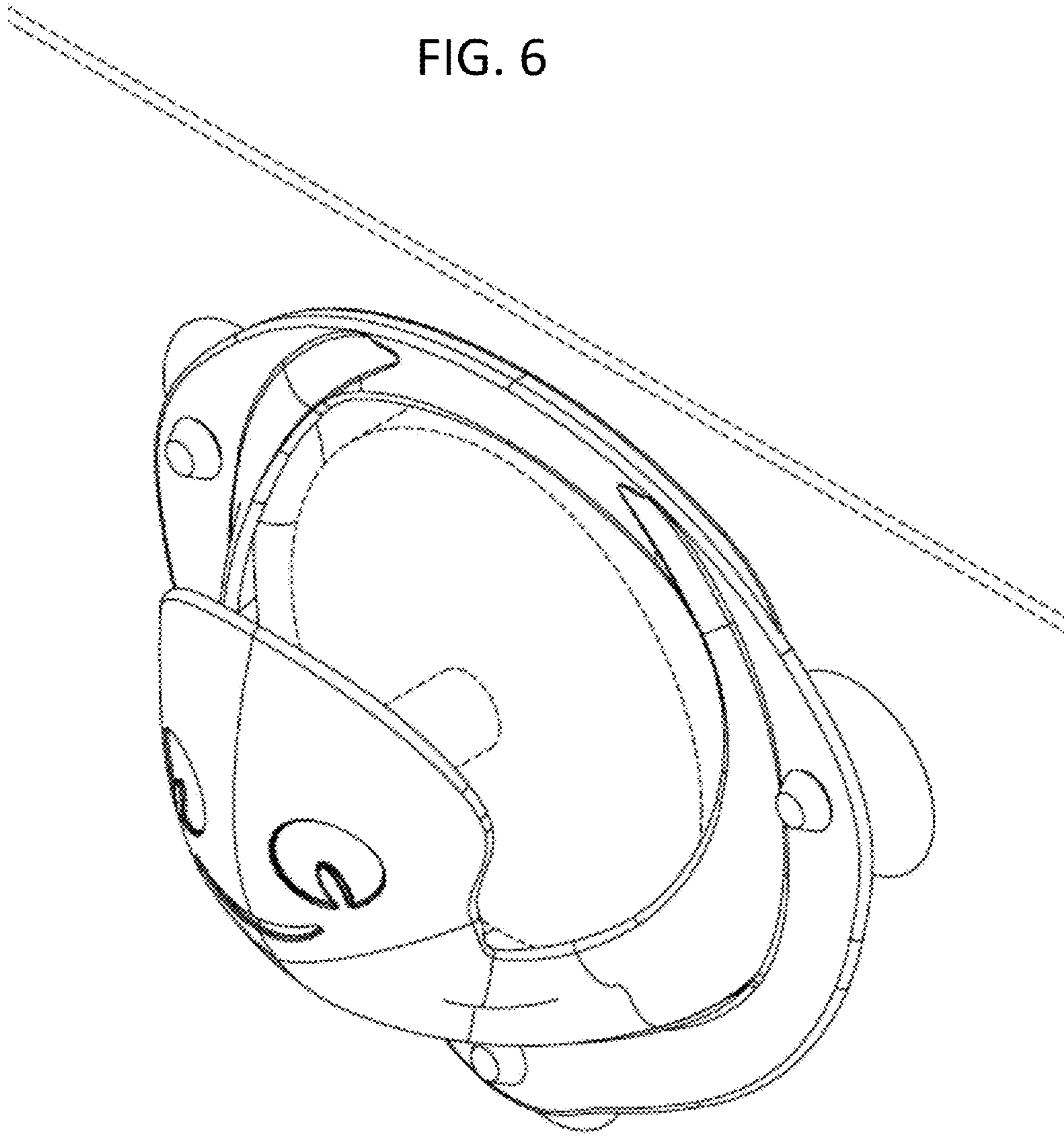


FIG. 7

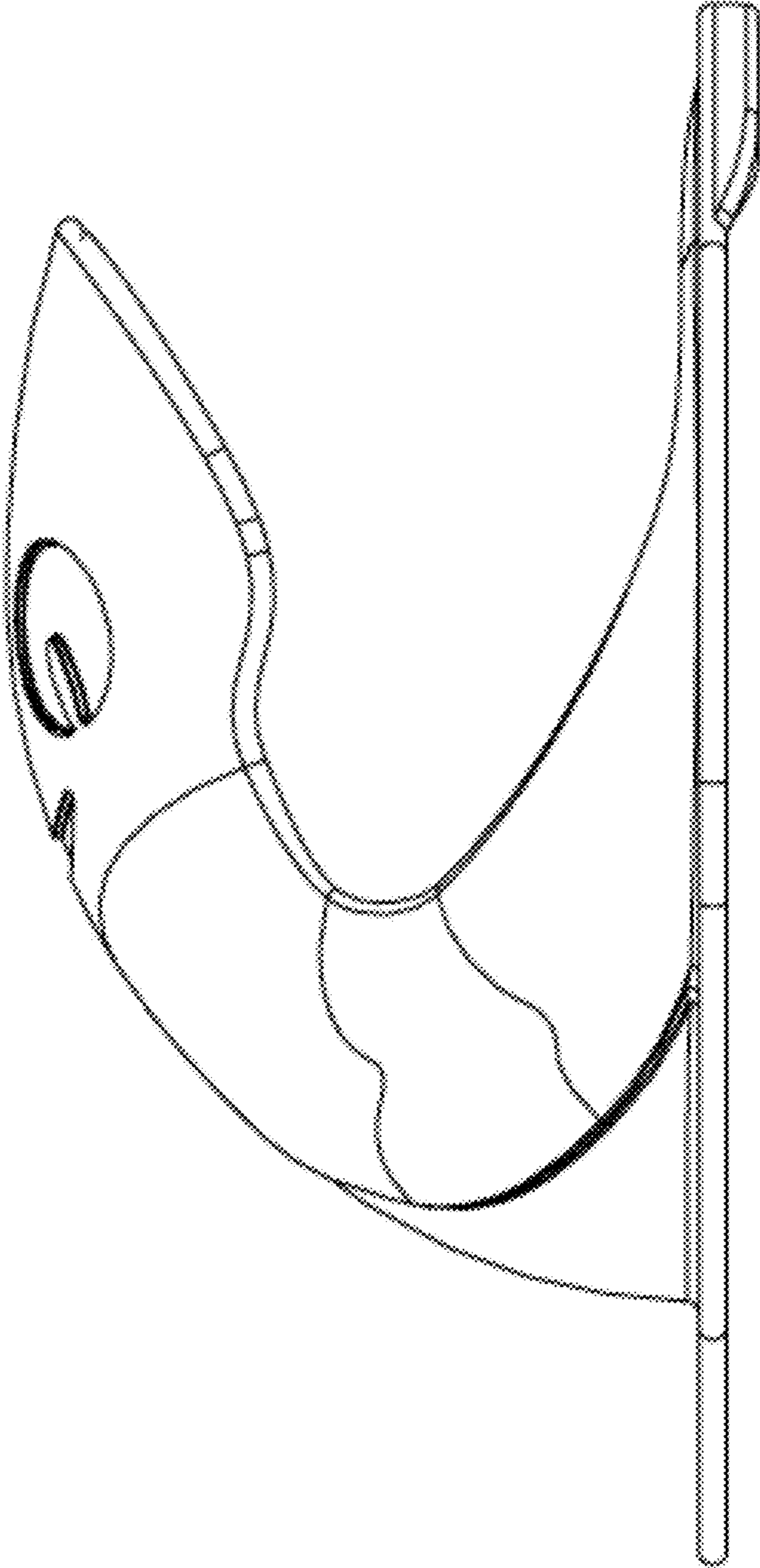




FIG. 8

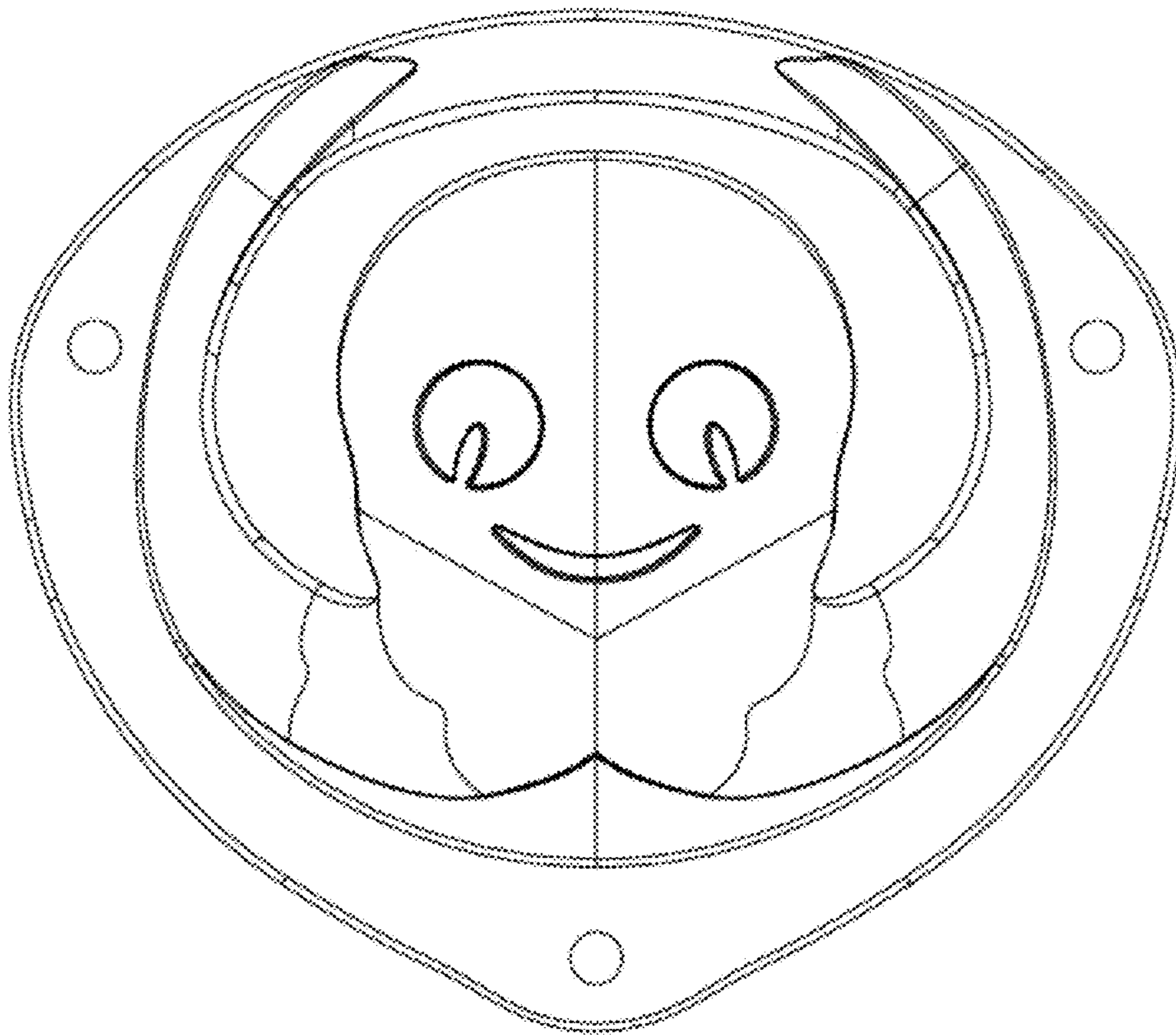


FIG. 9

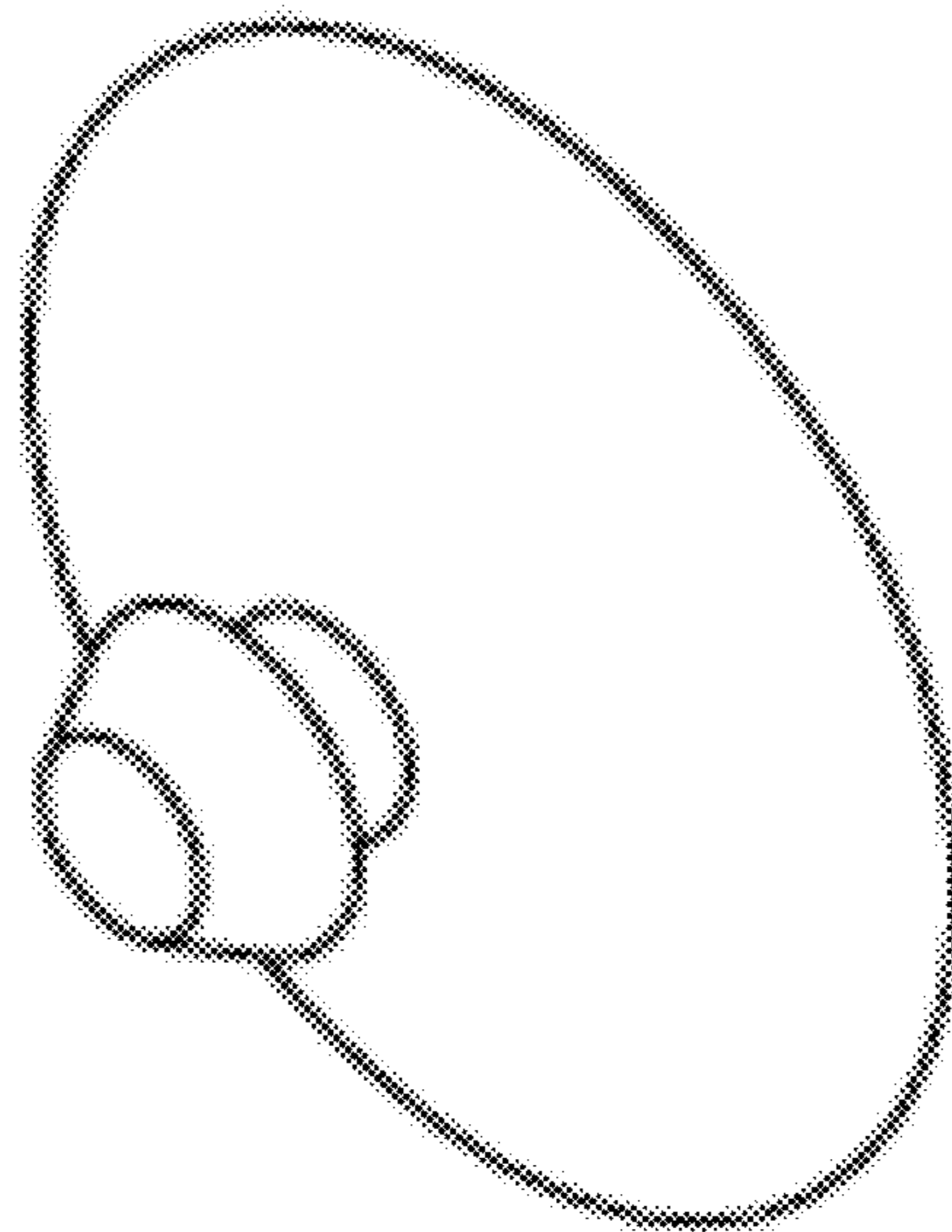


FIG. 10

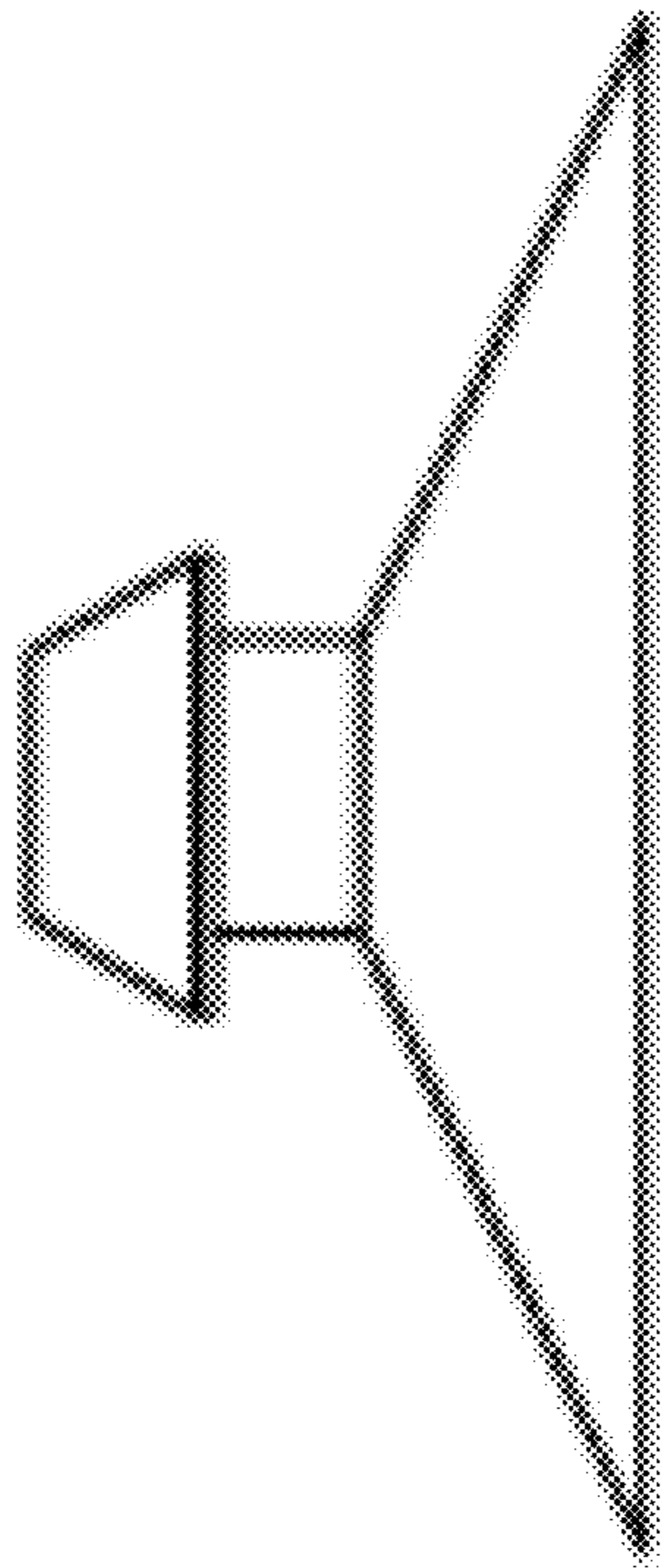


FIG. 11

