



US00D724182S

(12) **United States Design Patent**
Lu

(10) **Patent No.:** **US D724,182 S**
(45) **Date of Patent:** **** Mar. 10, 2015**

(54) **CHECK RETAINER**

(71) Applicant: **Watts Water Technologies, Inc.**, North Andover, MA (US)

(72) Inventor: **John D. Lu**, Malden, MA (US)

(73) Assignee: **Watts Water Technologies, Inc.**, North Andover, MA (US)

(**) Term: **14 Years**

(21) Appl. No.: **29/482,533**

(22) Filed: **Feb. 19, 2014**

(51) **LOC (10) Cl.** **23-01**

(52) **U.S. Cl.**
USPC **D23/233**

(58) **Field of Classification Search**
CPC F16K 15/00; F16K 15/18; F16K 15/026;
F16K 15/044; B60T 17/04
USPC D23/233-250; D15/5, 7; 137/15.04,
137/15.08, 515, 7, 859, 843, 332, 529,
137/533.17, 540, 54, 543.17, 512.1, 243.2,
137/852, 223, 232, 366, 234, 368, 349,
137/367; 251/322, 333; 92/87; 404/25

See application file for complete search history.

(56) **References Cited**

U.S. PATENT DOCUMENTS

1,679,898	A *	8/1928	Gilbert	137/243.2
1,761,655	A *	6/1930	Collar	137/243.2
2,261,269	A *	11/1941	Mohr	251/367
3,189,037	A	6/1965	Callejo	
4,177,825	A *	12/1979	Crawford	137/243.2
4,338,961	A *	7/1982	Karpenko	137/243.2
4,540,012	A *	9/1985	Bridges	137/72
5,125,429	A	6/1992	Ackroyd et al.	
D328,488	S *	8/1992	Shaw	D23/249
D413,374	S *	8/1999	Tine, Jr.	D23/233
6,439,259	B1 *	8/2002	Beaver	137/232

D470,508	S *	2/2003	MacPherson	D15/5
6,557,580	B2 *	5/2003	Lohde et al.	137/315.01
D490,819	S *	6/2004	Wahlberg	D15/7

(Continued)

OTHER PUBLICATIONS

PVB4A Series Installation, Operation, and Maintenance Manual—
Pressure Vacuum Breaker (PVB) Backflow Preventers ½"-2",
Conbraco Industries Inc. (May 2009).

(Continued)

Primary Examiner — Cynthia Ramirez

Assistant Examiner — Gino Colan

(74) *Attorney, Agent, or Firm* — Locke Lord LLP; George N. Chaclos

(57) **CLAIM**

The ornamental design for a check retainer, as shown and described.

DESCRIPTION

FIG. 1 is a top perspective view of the check retainer according to the present disclosure.

FIG. 2 is a bottom perspective view of the check retainer according to the present disclosure.

FIG. 3 is another bottom perspective view of the check retainer according to the present disclosure.

FIG. 4 is another top perspective view of the check retainer according to the present disclosure.

FIG. 5 is a right side view of the check retainer according to the present disclosure.

FIG. 6 is a left side view of the check retainer according to the present disclosure.

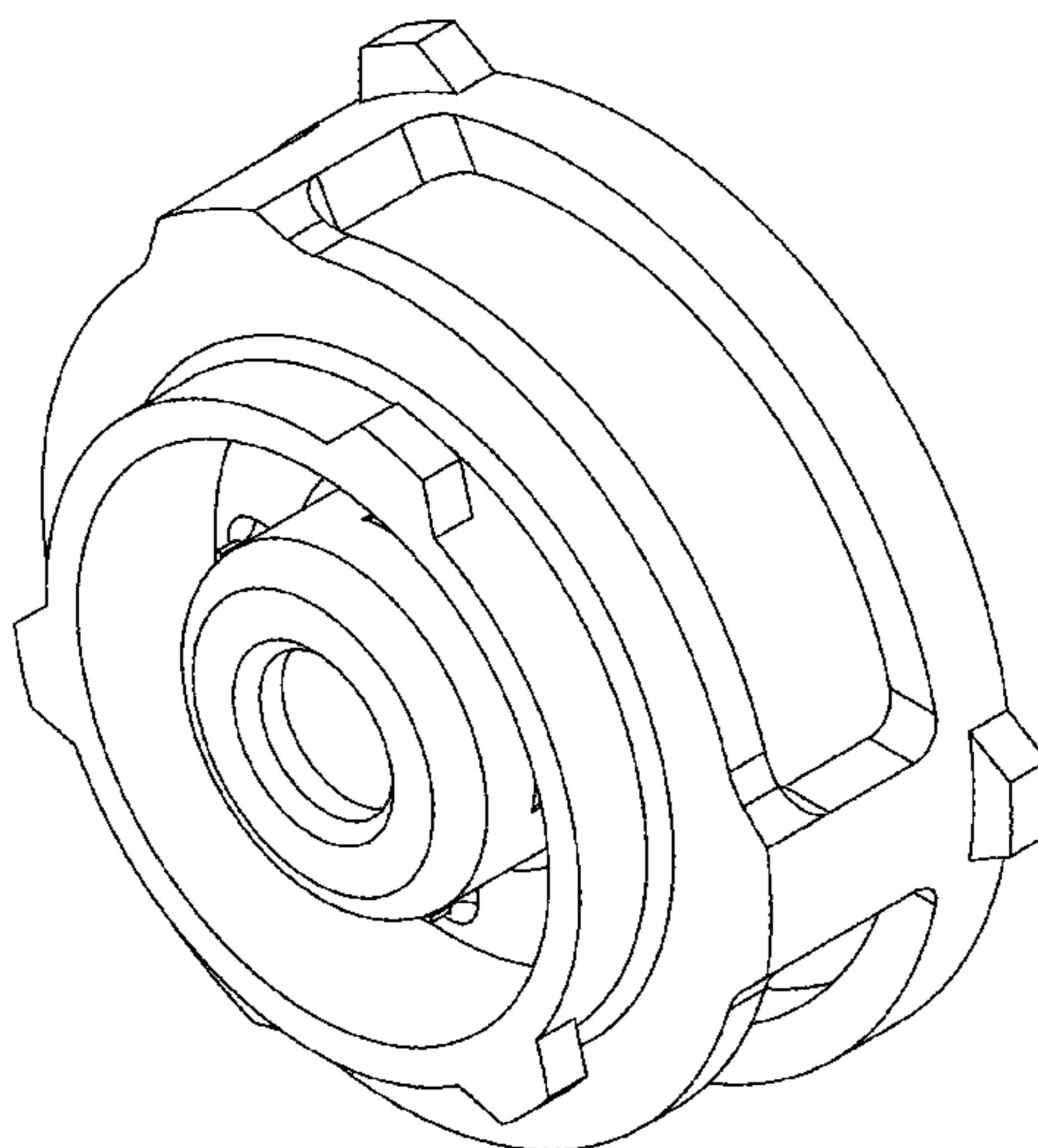
FIG. 7 is a front view of the check retainer according to the present disclosure.

FIG. 8 is a back view of the check retainer according to the present disclosure.

FIG. 9 is a bottom view of the check retainer according to the present disclosure; and,

FIG. 10 is a top view of the check retainer according to the present disclosure.

1 Claim, 10 Drawing Sheets



(56)

References Cited

U.S. PATENT DOCUMENTS

6,986,360 B2 * 1/2006 Chaffee 137/223
 D526,701 S * 8/2006 Grether D23/249
 7,302,971 B2 * 12/2007 Myntti 137/852
 D570,374 S * 6/2008 Hideki et al. D15/7
 D570,375 S * 6/2008 Hideki et al. D15/7
 D577,100 S * 9/2008 Brown et al. D23/213
 D582,437 S * 12/2008 Shimomura et al. D15/7
 D582,438 S * 12/2008 Shimomura et al. D15/7
 D582,439 S * 12/2008 Shimomura et al. D15/7
 D582,440 S * 12/2008 Shimomura et al. D15/7
 D582,441 S * 12/2008 Shimomura et al. D15/7
 D585,522 S * 1/2009 Geideman et al. D23/233
 7,497,416 B2 * 3/2009 Wang 251/349
 D590,840 S * 4/2009 Shea et al. D15/5
 D591,403 S * 4/2009 Grether D23/249
 7,575,018 B2 * 8/2009 Smith 137/366
 D620,081 S * 7/2010 Geideman et al. D23/233
 7,789,012 B2 * 9/2010 Marcilese et al. 92/87
 7,938,138 B2 * 5/2011 Chaffee 137/223
 D645,053 S * 9/2011 Shea et al. D15/5
 8,307,841 B2 * 11/2012 Chaffee 137/223
 8,430,116 B1 * 4/2013 Smith 137/365

2001/0012474 A1 * 8/2001 Gagas 404/25
 2006/0033067 A1 * 2/2006 Wang 251/322
 2006/0255309 A1 * 11/2006 Marcilese et al. 251/368
 2007/0193633 A1 8/2007 Howell et al.
 2013/0186481 A1 * 7/2013 Chaffee 137/234

OTHER PUBLICATIONS

PFMM PVB4A Installation, Operation, & Maintenance Manual—
 ½"-2" Pressure Vacuum Breaker (PVB) Backflow Preventer, Apollo
 Valves (Jan. 2012).
 Wilkins Model 420XL Lead-Free Pressure vacuum Breakers (½" &
 ¾") (2012).
 Installation, Maintenance, & Repair Series 800M4 and LF800M4—
 Anti-Siphon Pressure Vacuum Breaker featuring Replaceable Seats
 (2013).
 Series 765 Pressure Vacuum Breakers Specification Sheet—FEBCO
 (2009).
 Lead Free Series LF800M4QT Anti-Siphon Pressure Vacuum Break-
 ers—WATTS (2013).
 BFMMPVB Maintenance Manual—Series 4V-500 (½"-2" Pressure
 Type Vacuum Breaker)—Conbraco Industries, Inc. (Apr. 2002).

* cited by examiner

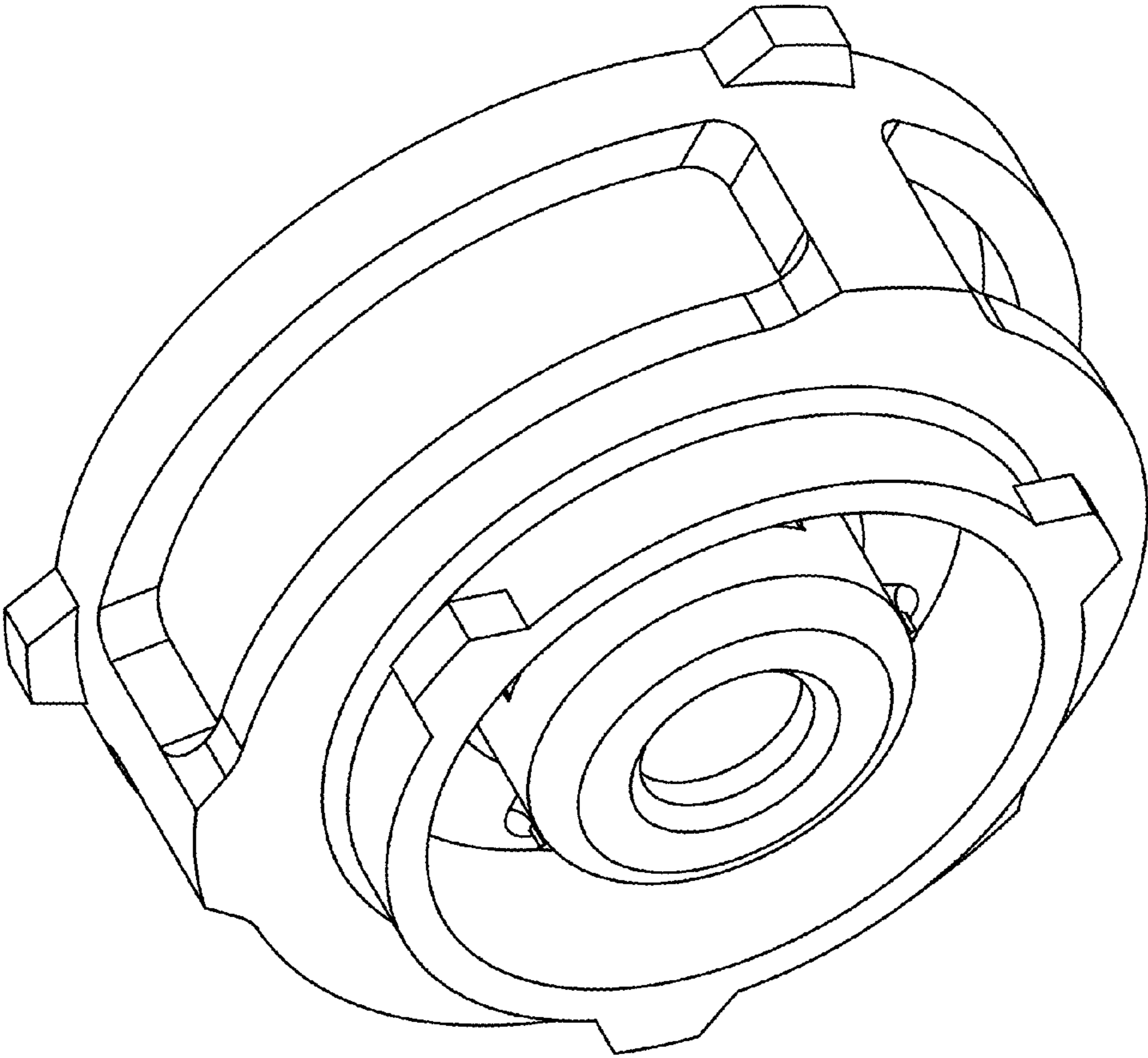


FIG. 1

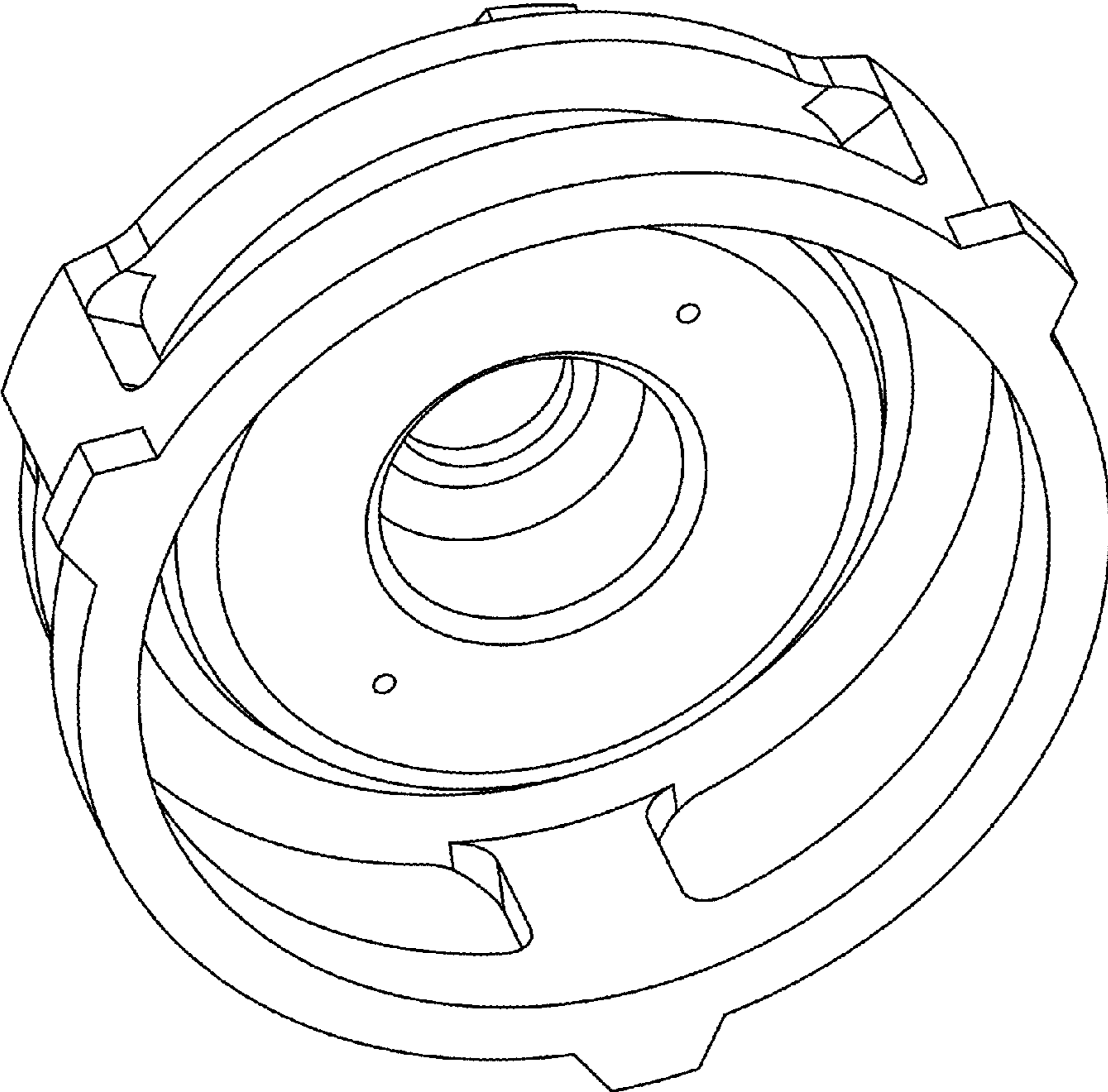


FIG. 2

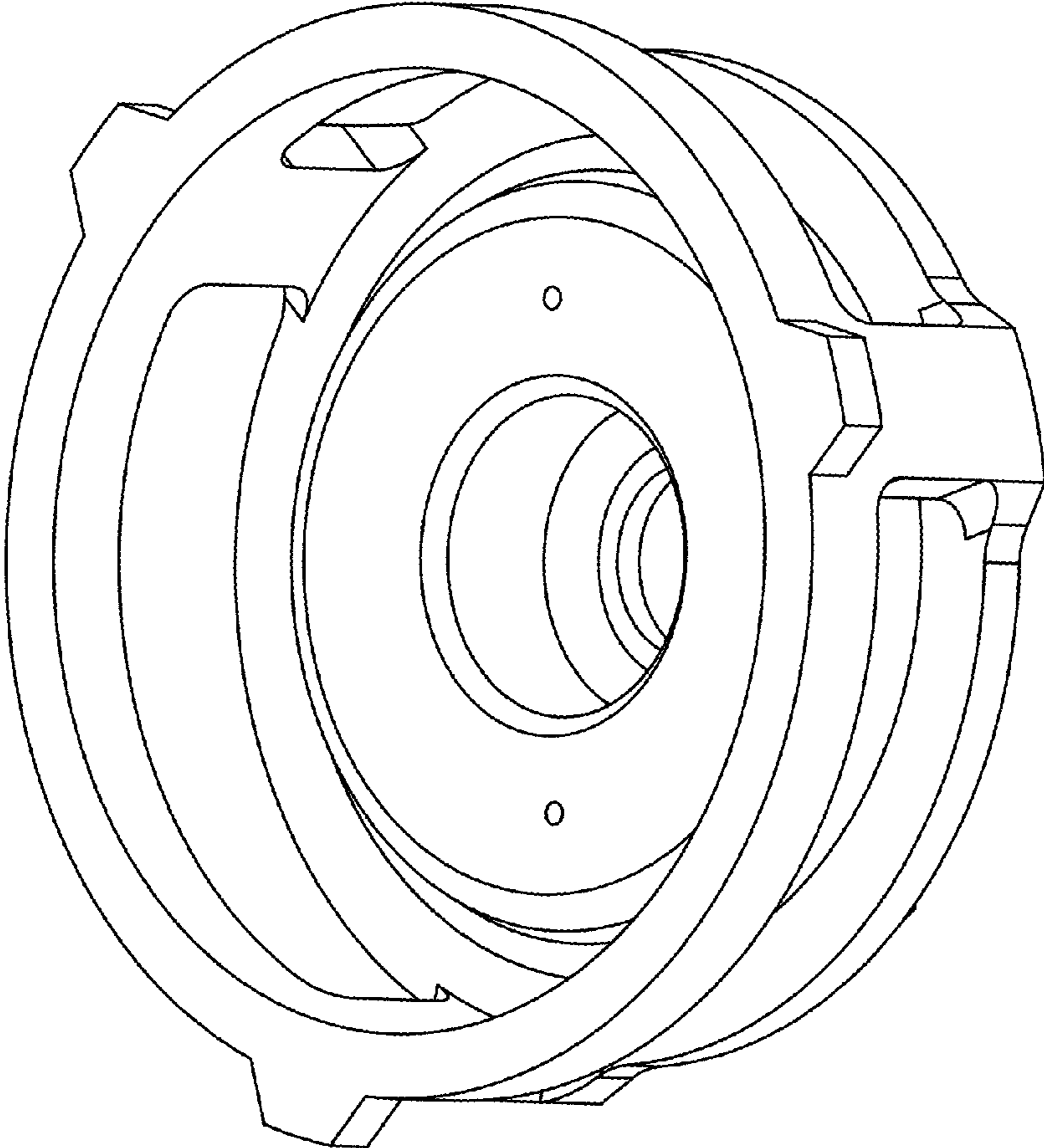


FIG. 3

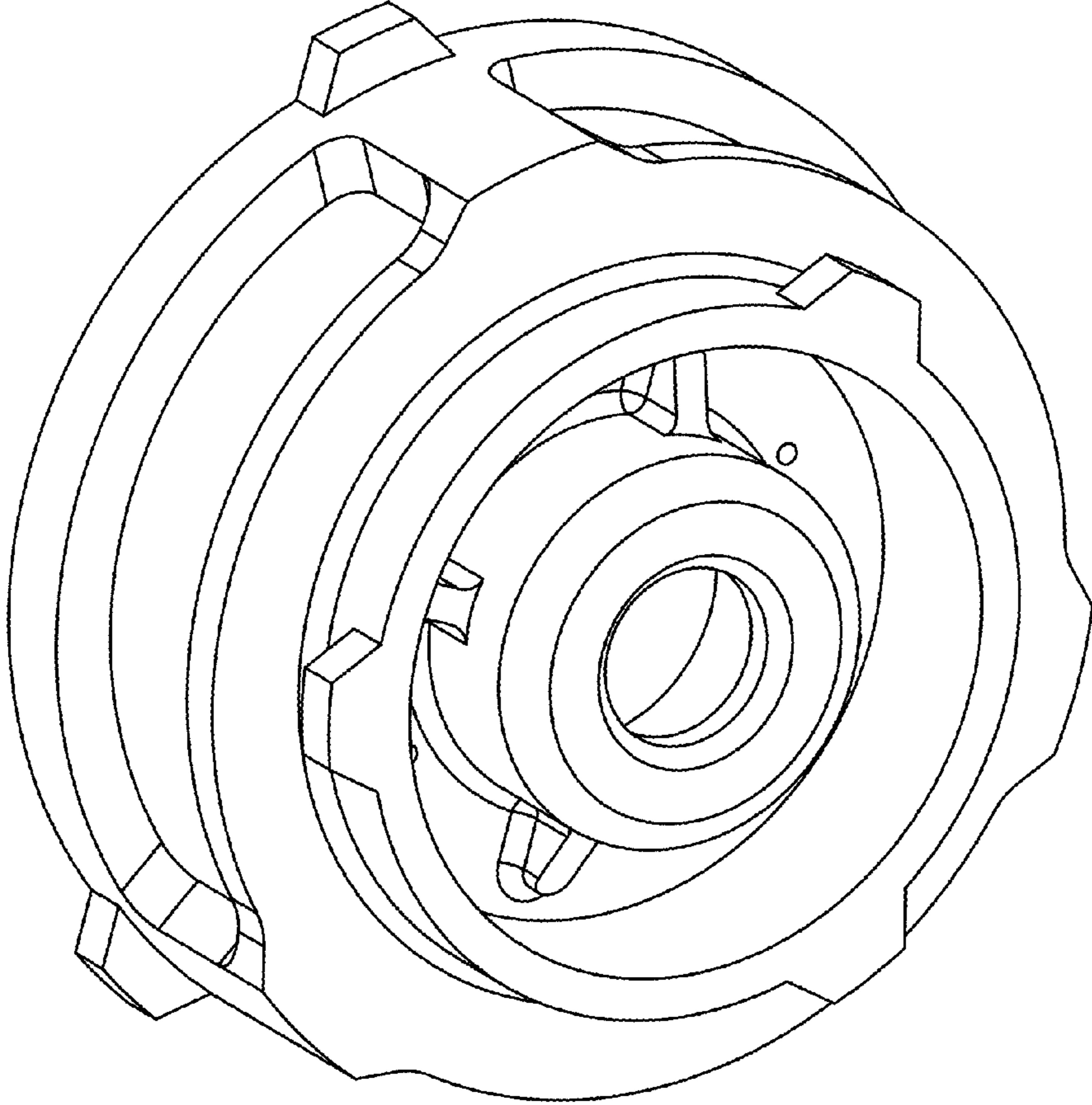


FIG. 4

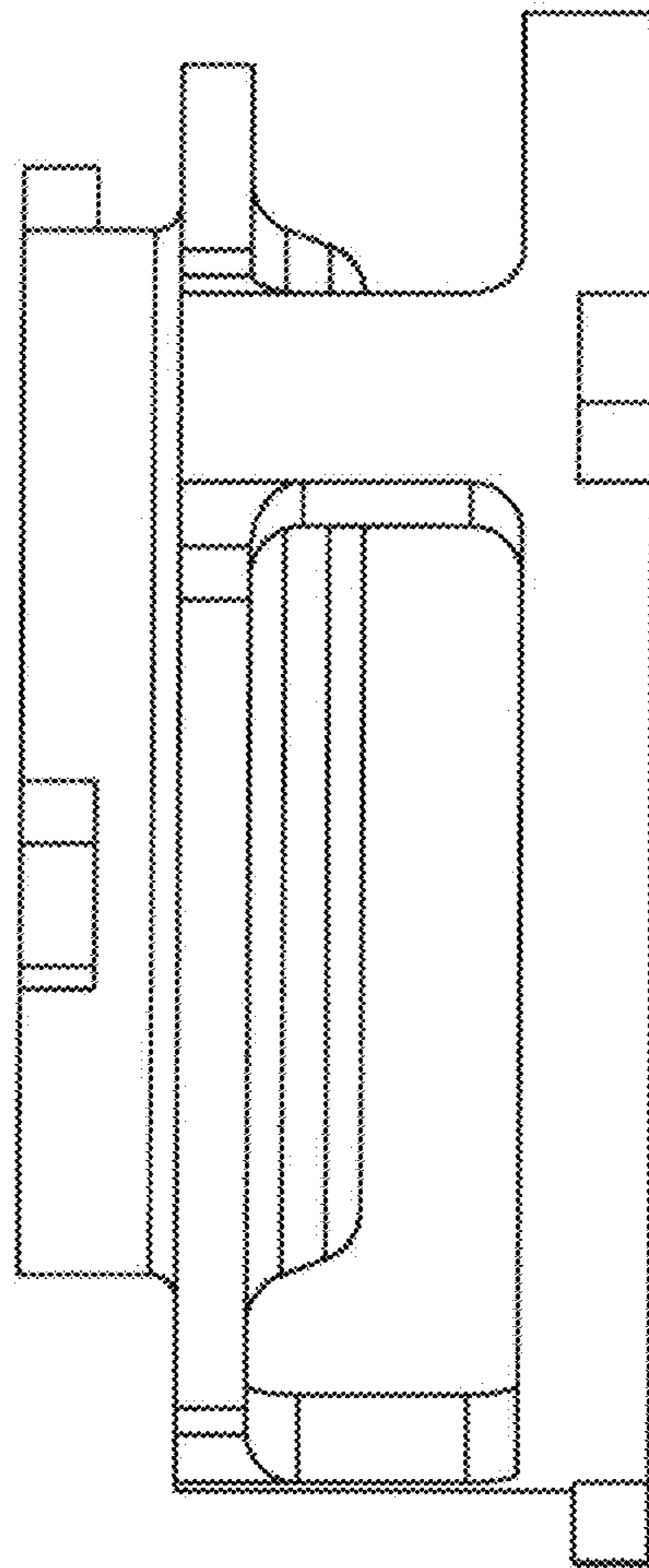


FIG. 5

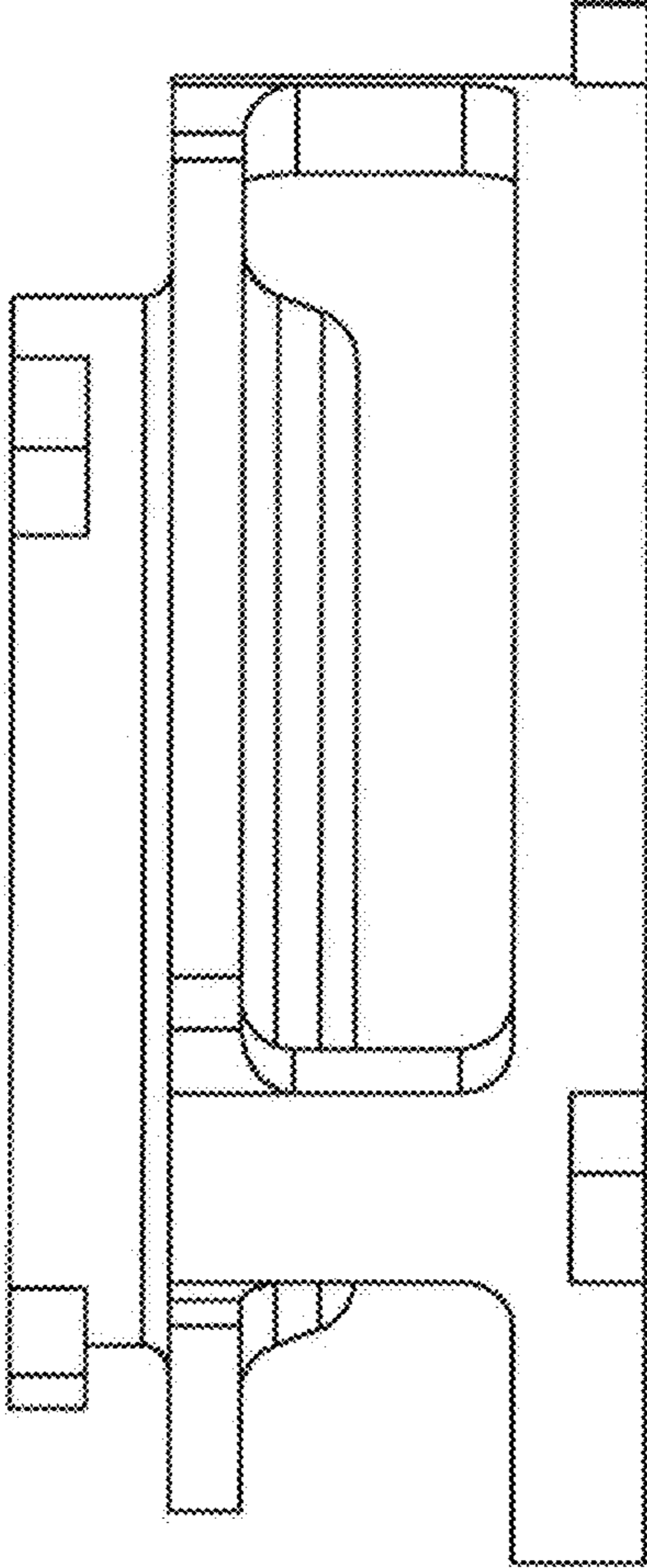


FIG. 6

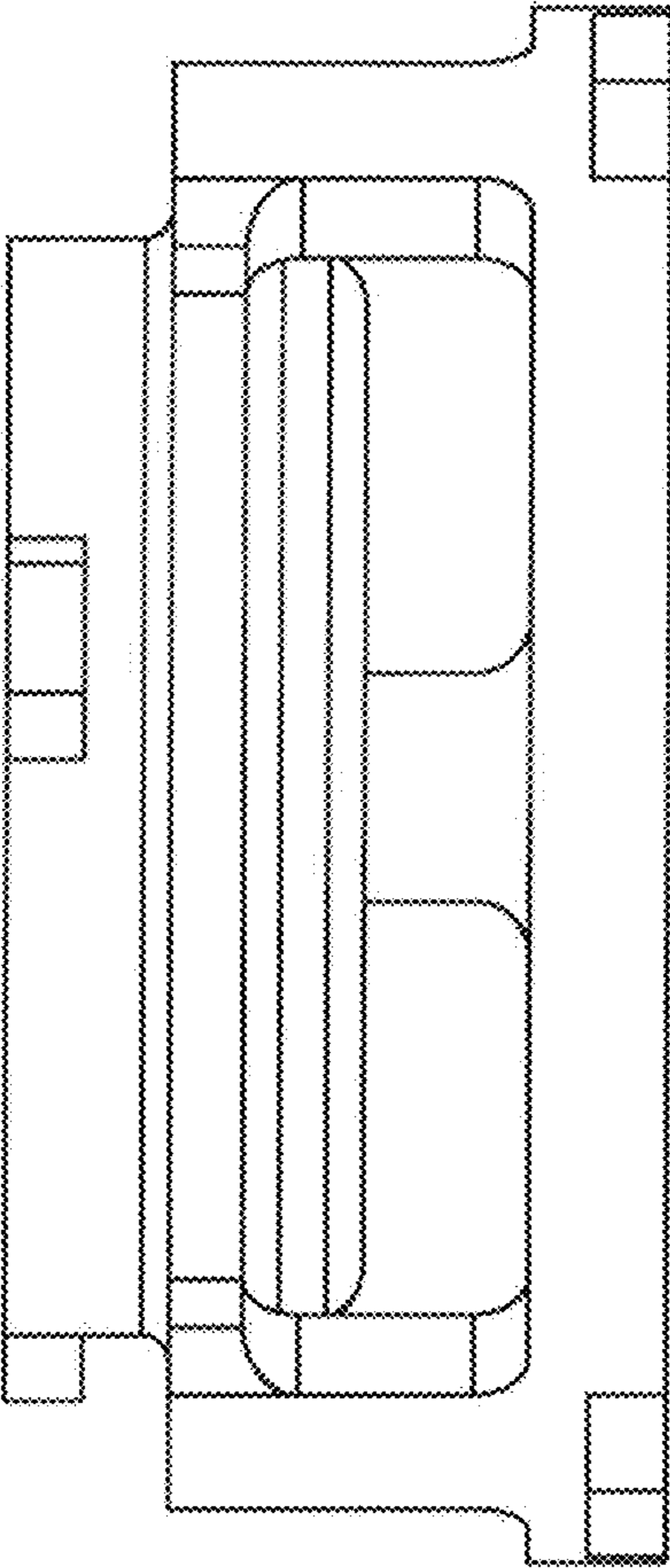


FIG. 7

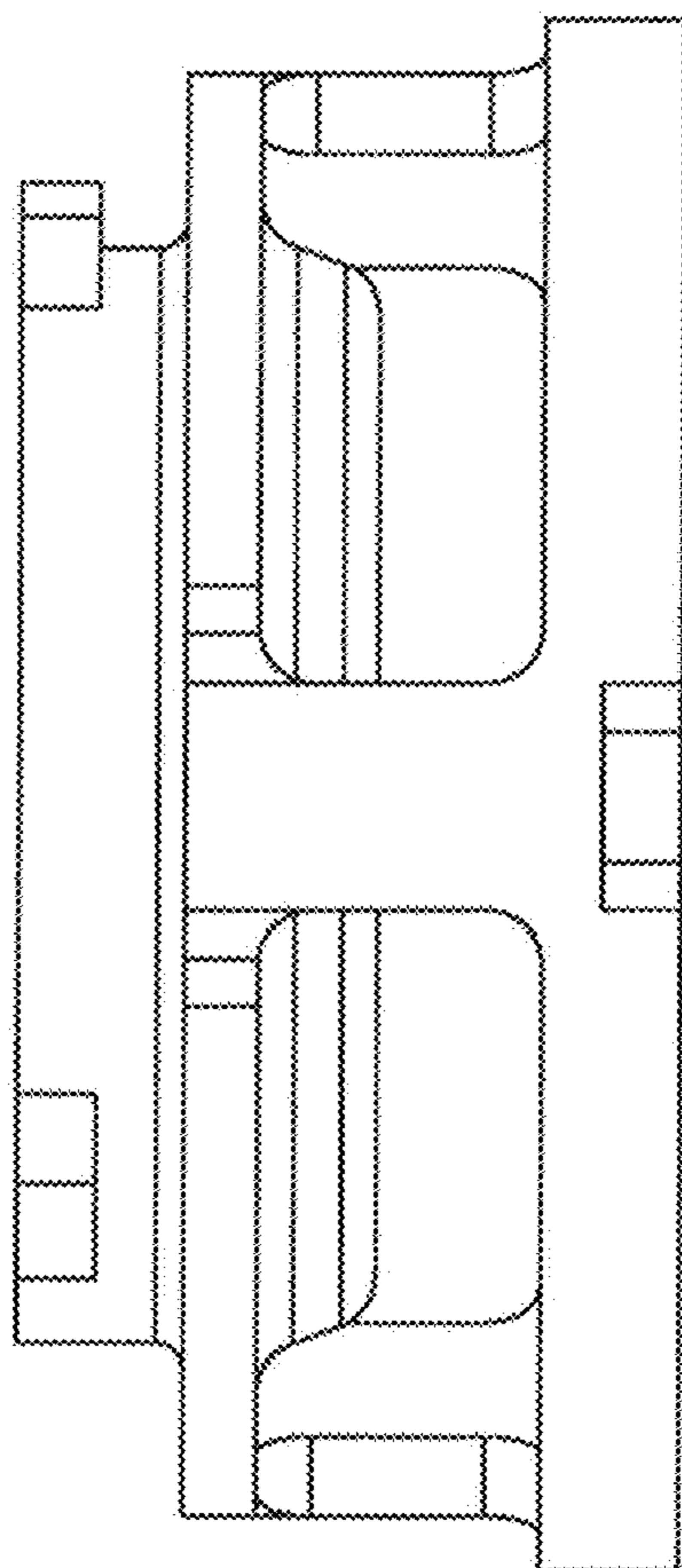


FIG. 8

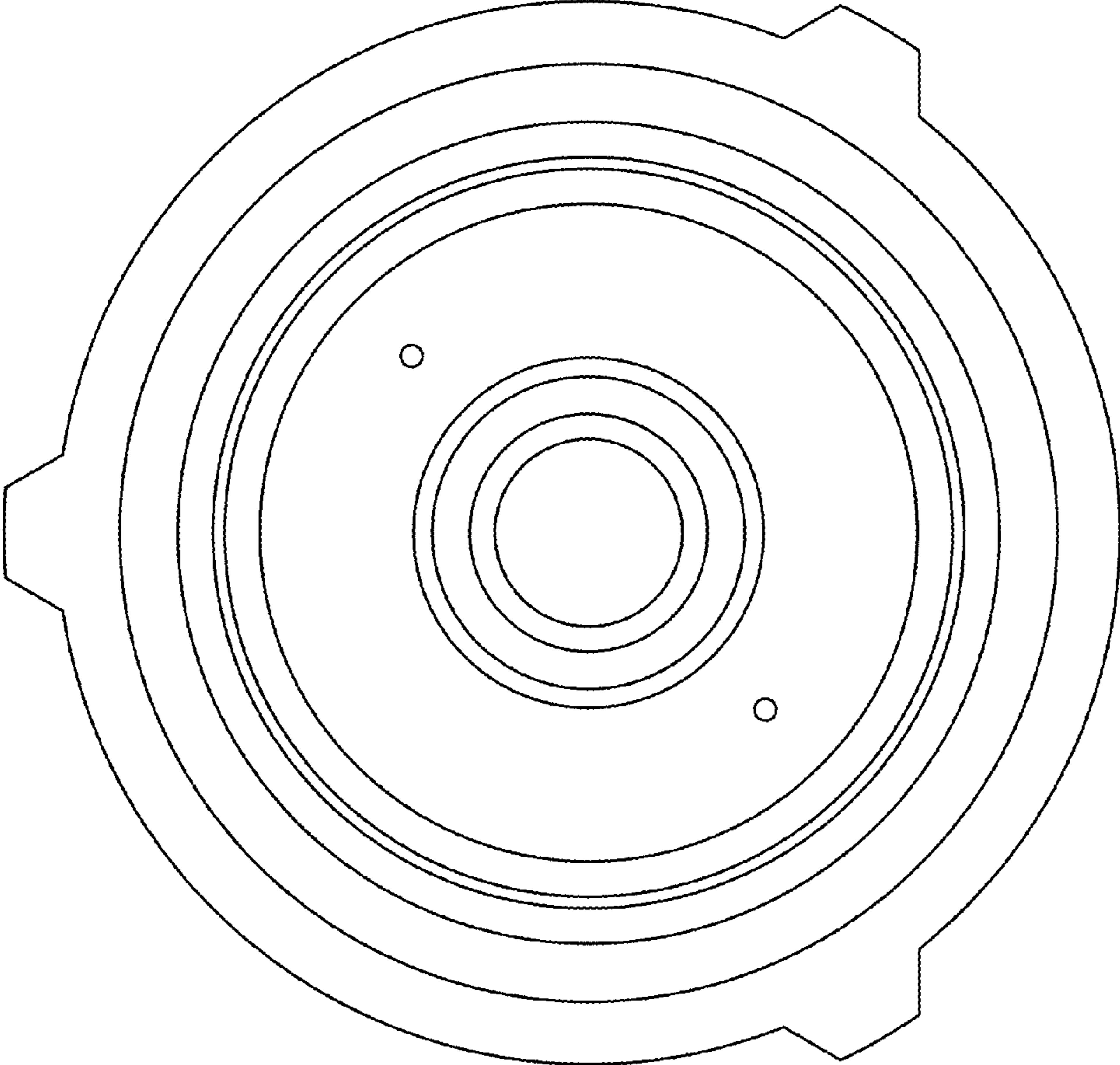


FIG. 9

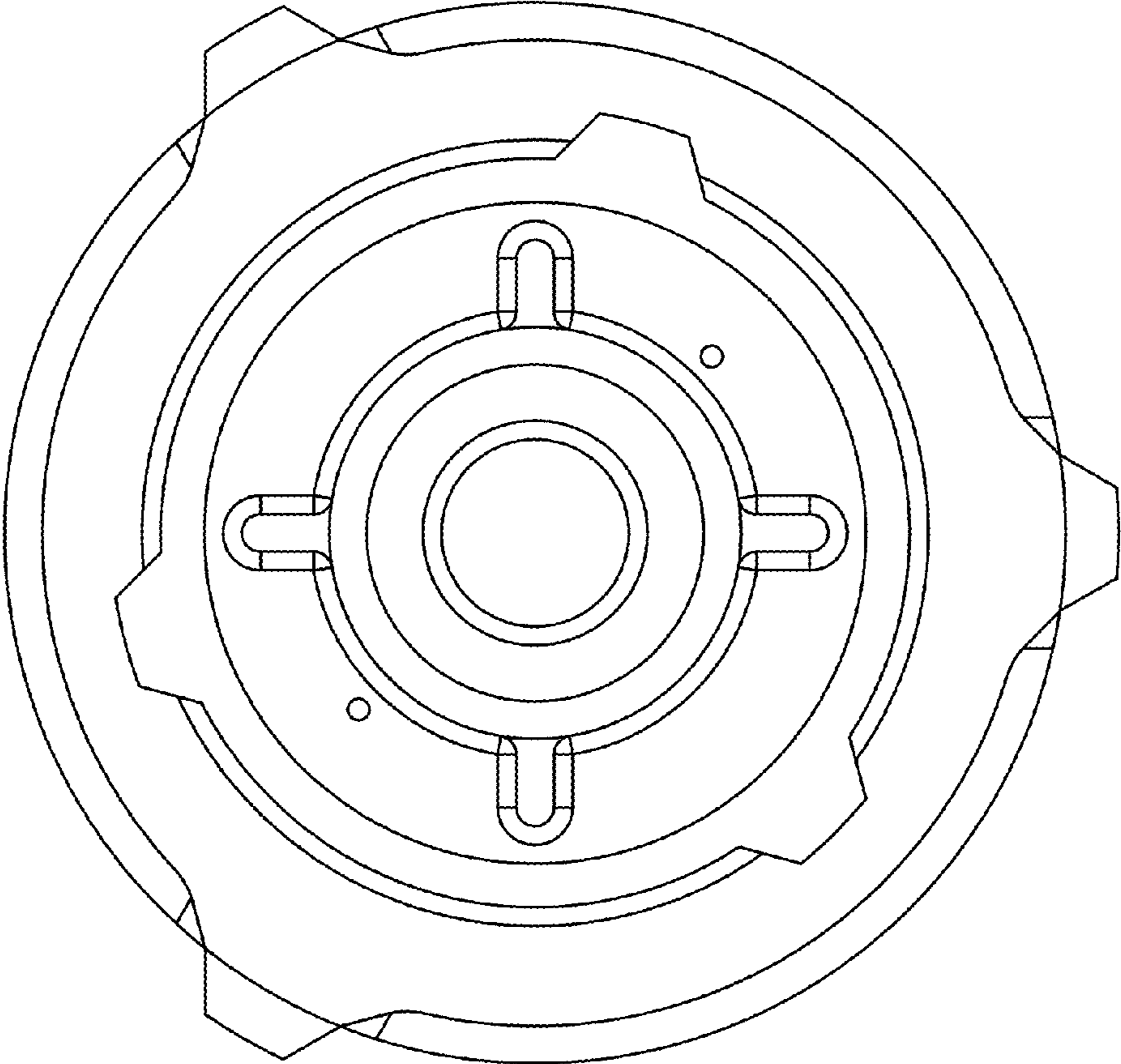


FIG. 10