



US00D724181S

(12) **United States Design Patent**
Condon et al.

(10) **Patent No.:** **US D724,181 S**
(45) **Date of Patent:** **** Mar. 10, 2015**

- (54) **BRASS VALVE FOR STOP BOX**
- (75) Inventors: **Duane R. Condon**, Ramona, CA (US);
Bill A. Ghiglieri, Reno, NV (US);
Marshall W. Henningsen, Carson City,
NV (US)
- (73) Assignee: **LSP Products Group, Inc.**, Irving, TX
(US)

6,421,849	B1 *	7/2002	Gray	4/675
6,435,206	B1 *	8/2002	Minnick	137/360
7,546,852	B1 *	6/2009	Fails et al.	138/109
7,552,742	B2 *	6/2009	Dole	137/318
7,565,912	B2 *	7/2009	Klee	137/360
7,708,030	B2 *	5/2010	Bergamante	137/615
D661,787	S *	6/2012	Johnson	D23/262
8,191,569	B2 *	6/2012	Moore	137/360
8,210,199	B2 *	7/2012	Popp	137/360
8,613,290	B1 *	12/2013	Wu	137/218

(**) Term: **14 Years**

(21) Appl. No.: **29/426,079**

(22) Filed: **Jun. 29, 2012**

(51) **LOC (10) Cl.** **23-01**

(52) **U.S. Cl.**
USPC **D23/233**

(58) **Field of Classification Search**
USPC D23/262, 259, 260, 266, 385-395, 397,
D23/370-373, 365, 351, 354, 399-403, 421,
D23/499, 233; 454/309, 275-277, 284,
454/287-291, 358-363; 52/302.1, 32.07;
285/229, 189, 183, 123.1, 15, 114,
285/110, 424, 197; 165/59; 137/360
See application file for complete search history.

(56) **References Cited**

U.S. PATENT DOCUMENTS

5,562,121	A *	10/1996	Hodges et al.	137/360
5,595,212	A *	1/1997	Warshawsky et al.	137/360
5,875,812	A *	3/1999	Miller	137/360
5,983,923	A	11/1999	Hobbs et al.		
6,125,881	A	10/2000	Hobbs et al.		
6,234,193	B1	5/2001	Hobbs et al.		

* cited by examiner

Primary Examiner — David Muller

(74) *Attorney, Agent, or Firm* — Ross Barnes LLP; Monty L. Ross; Robin L. Barnes

(57) **CLAIM**

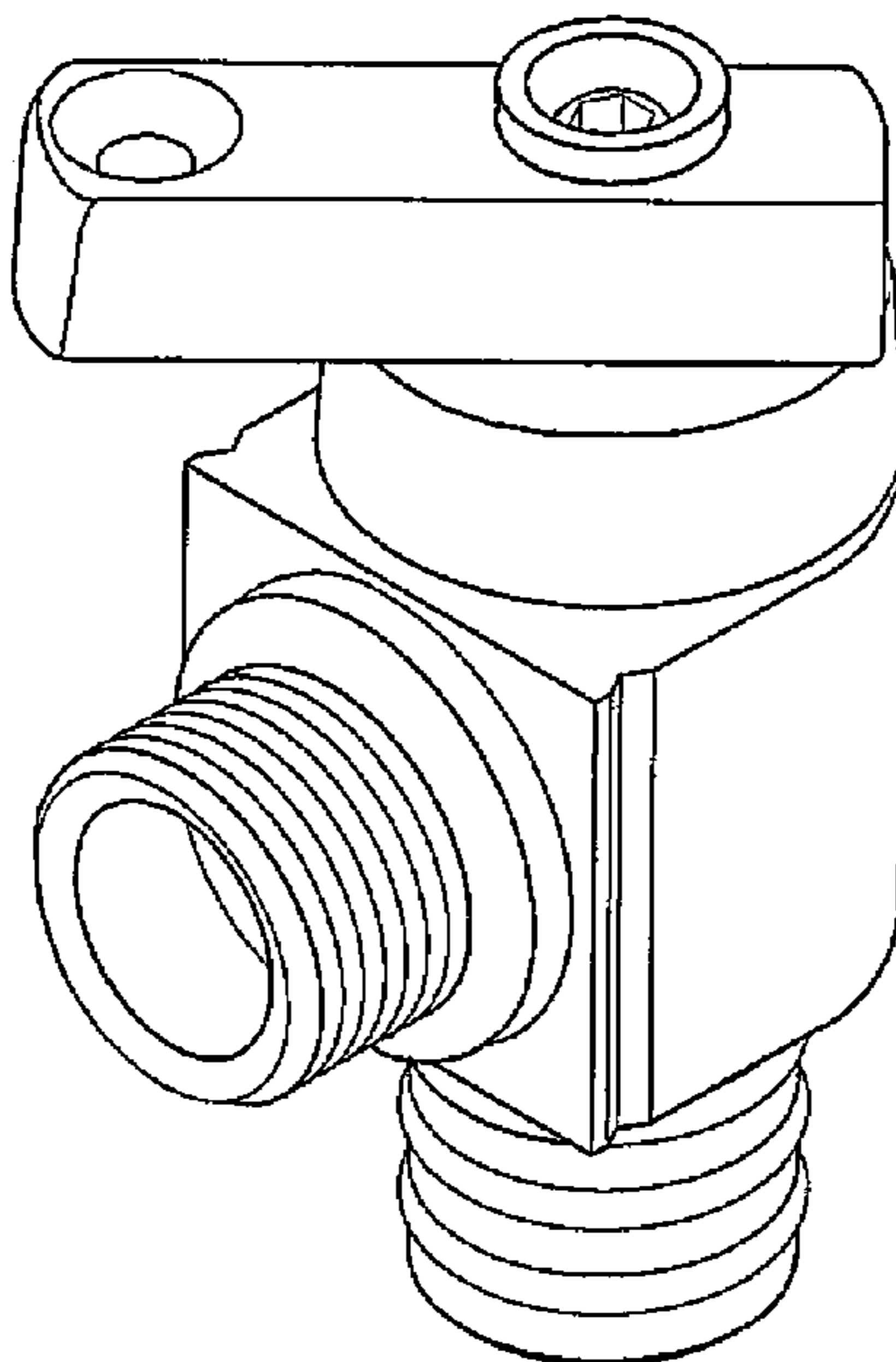
The ornamental design for a brass valve for stop box, as shown and described.

DESCRIPTION

FIG. 1 is an upper front right perspective view of a brass valve for stop box embodying my new design;
FIG. 2 is a lower front left perspective view thereof;
FIG. 3 is an upper top left perspective view thereof;
FIG. 4 is a lower front right perspective view thereof;
FIG. 5 is a top plan view thereof;
FIG. 6 is a bottom plan view thereof;
FIG. 7 is a front elevation view thereof;
FIG. 8 is a rear elevation view thereof;
FIG. 9 is a left side elevation view thereof; and,
FIG. 10 is a right side elevation view thereof.

The broken line showing of parts of the drawings is included for the purpose of illustrating use and environment and forms no part of the claimed design.

1 Claim, 5 Drawing Sheets



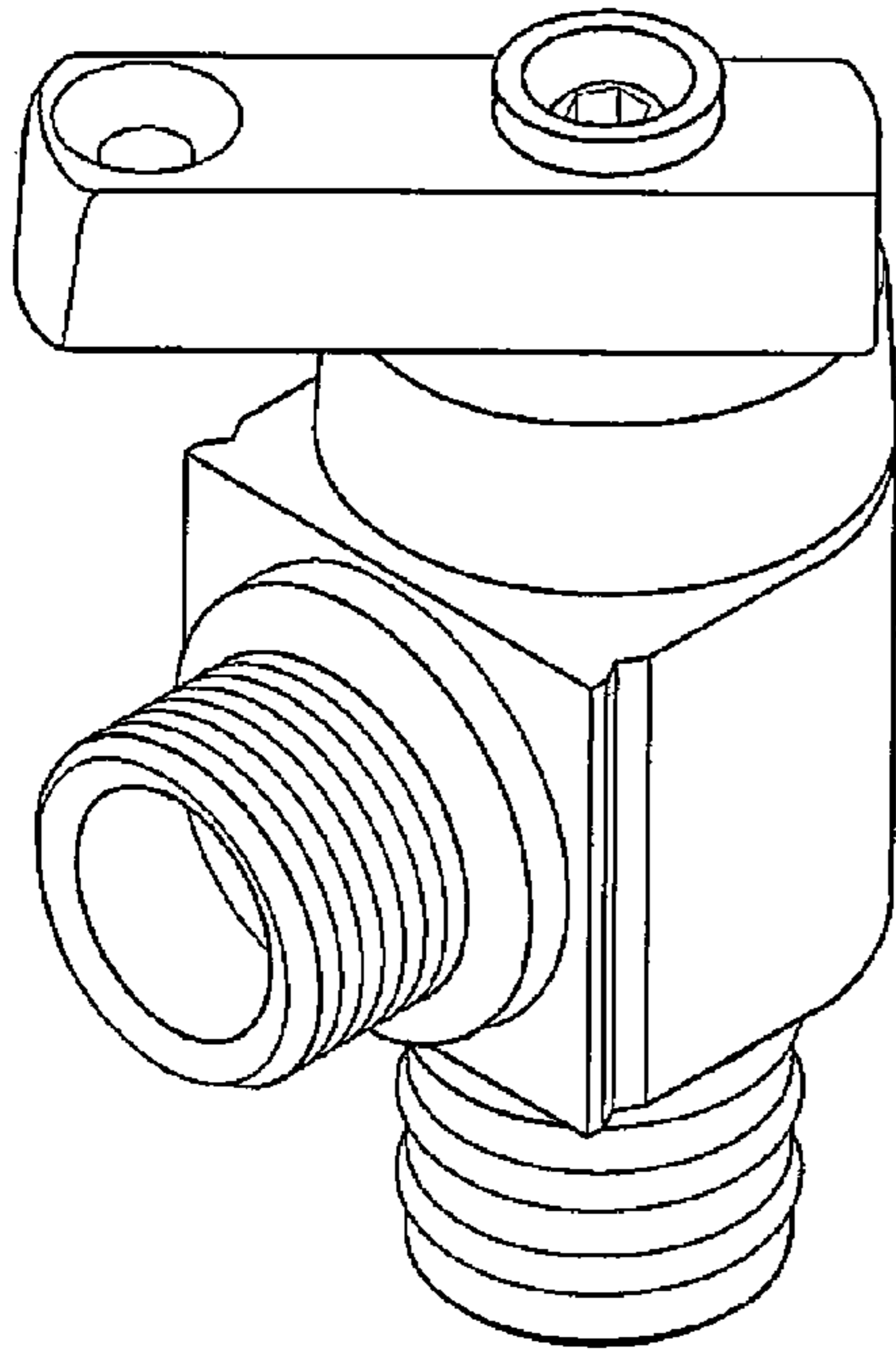


FIG. 1

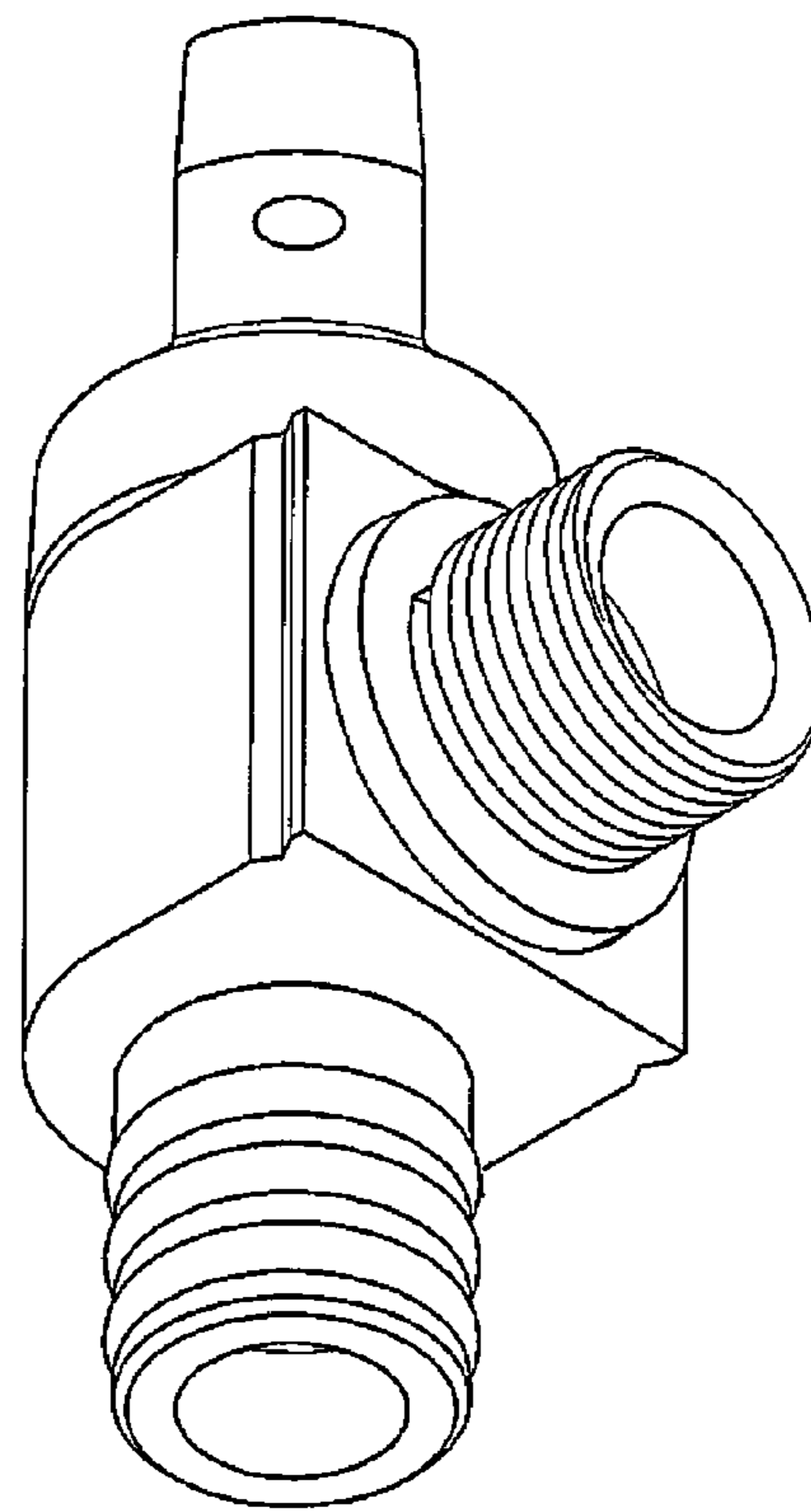


FIG. 2

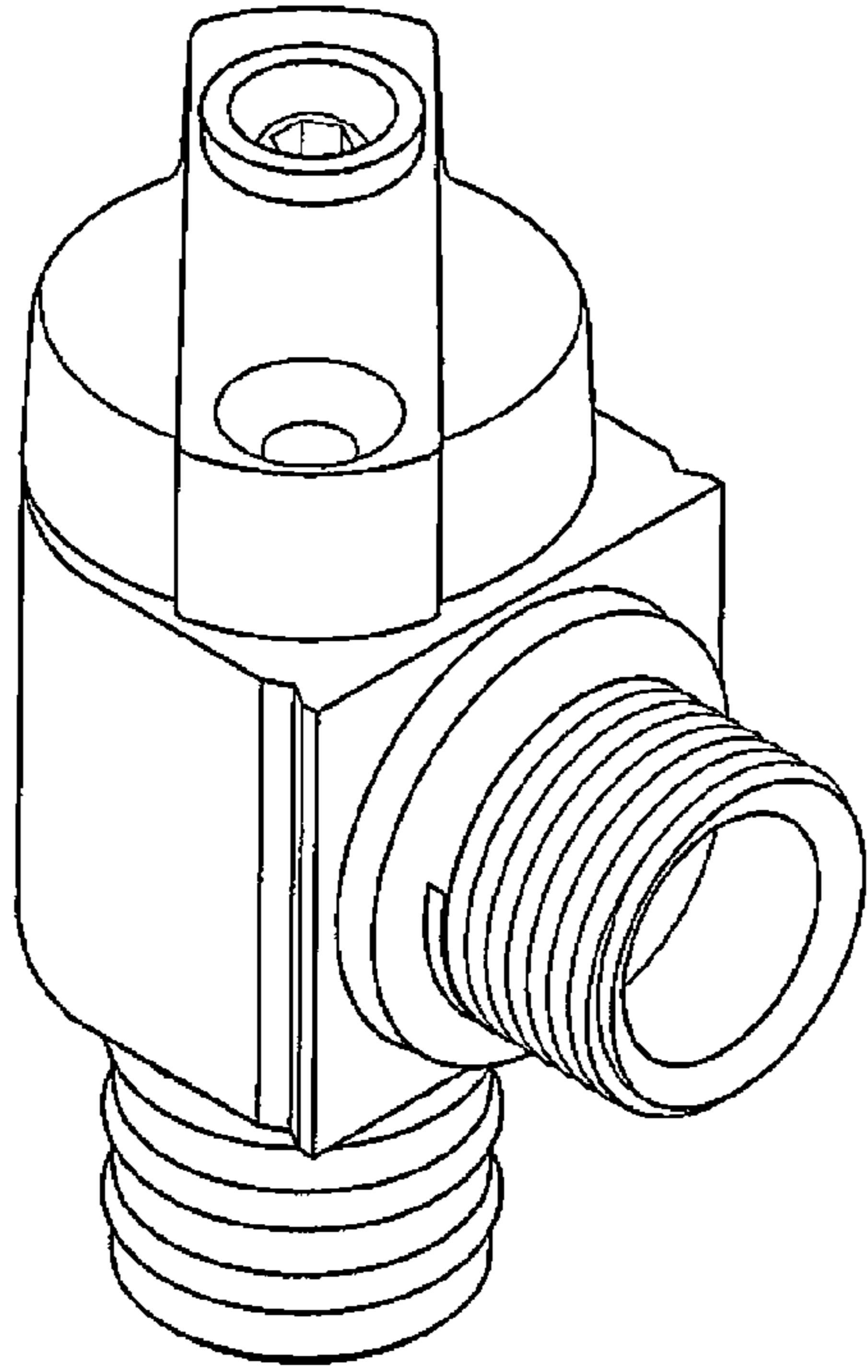


FIG. 3

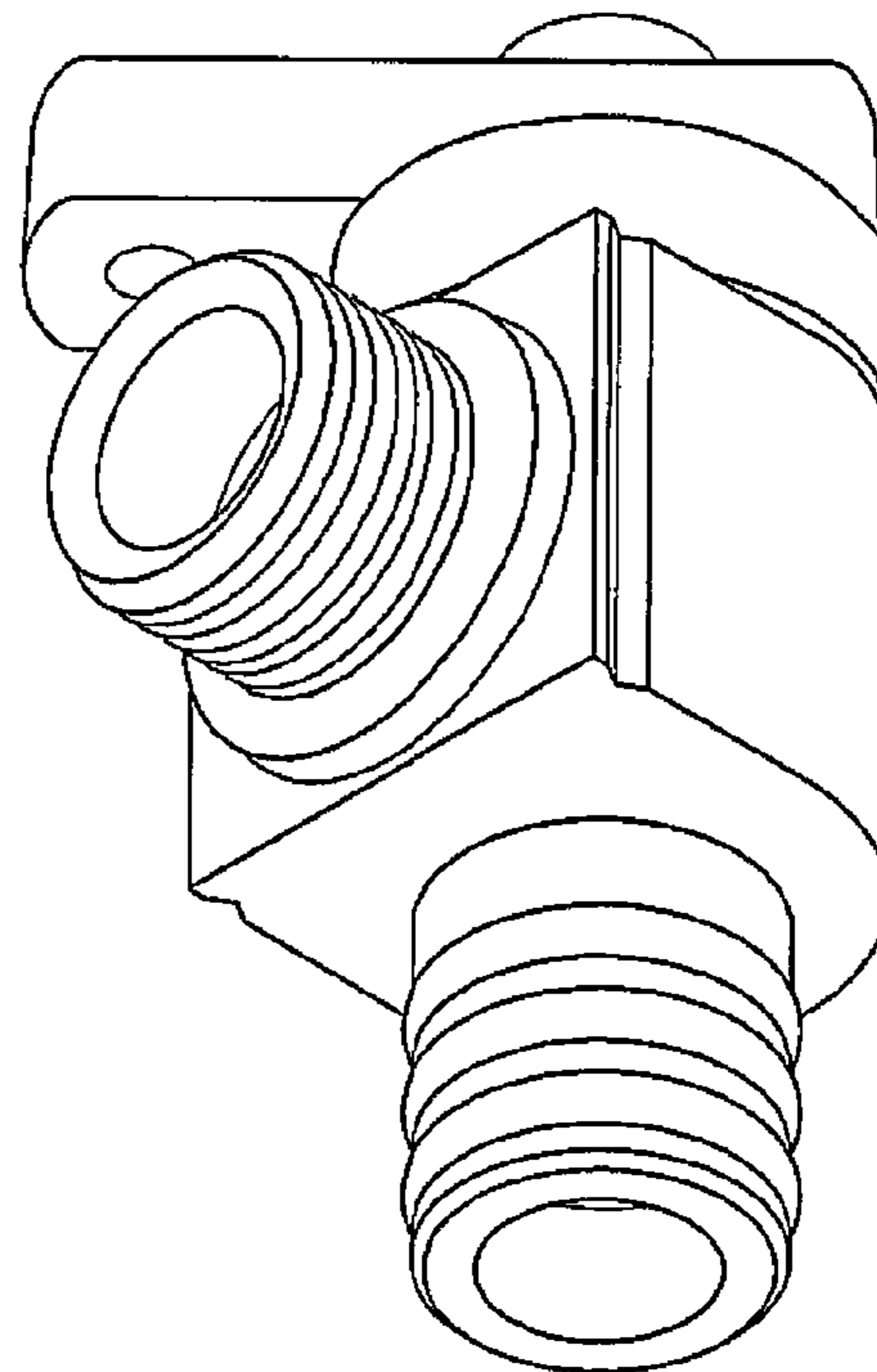


FIG. 4

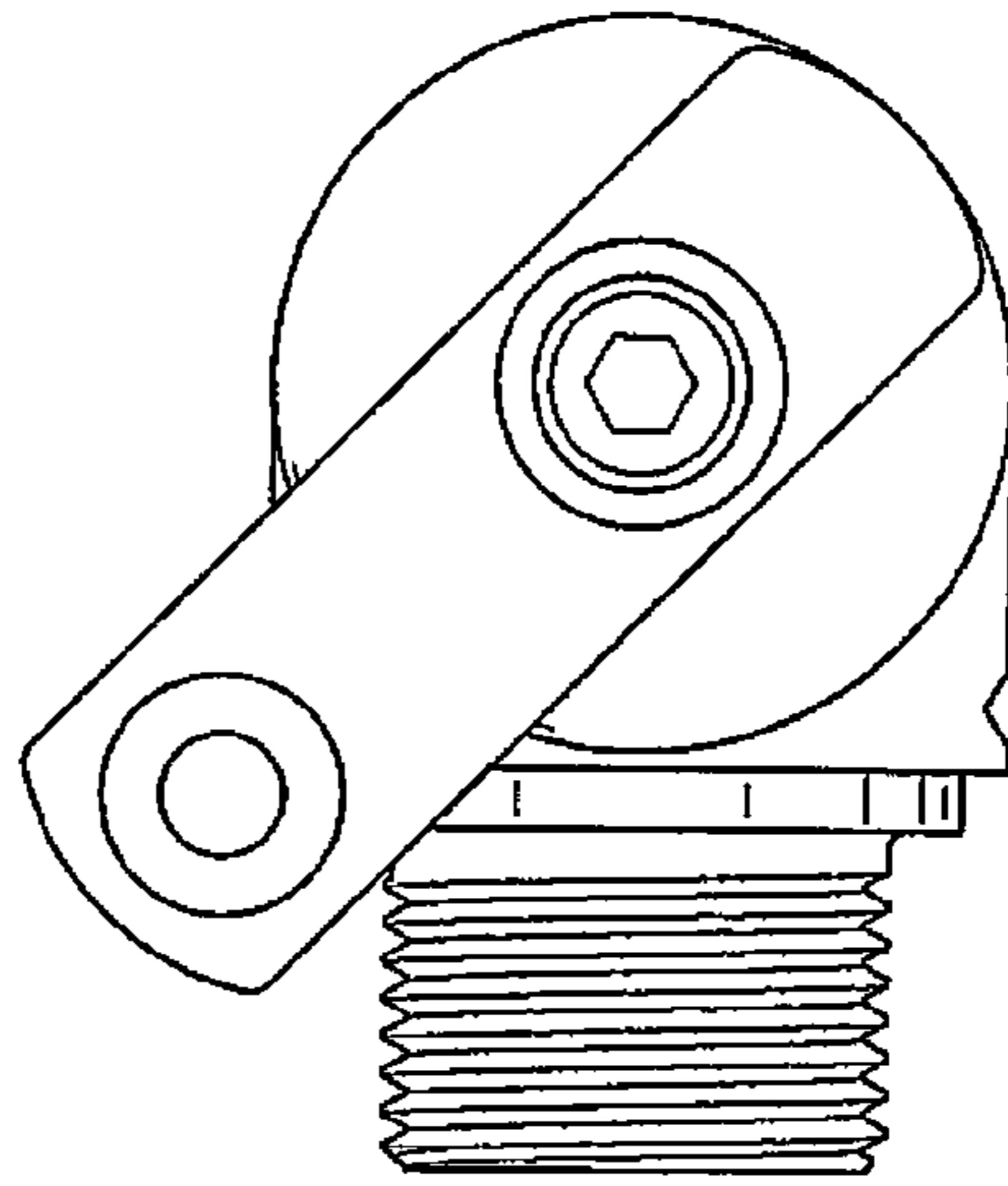


FIG. 5

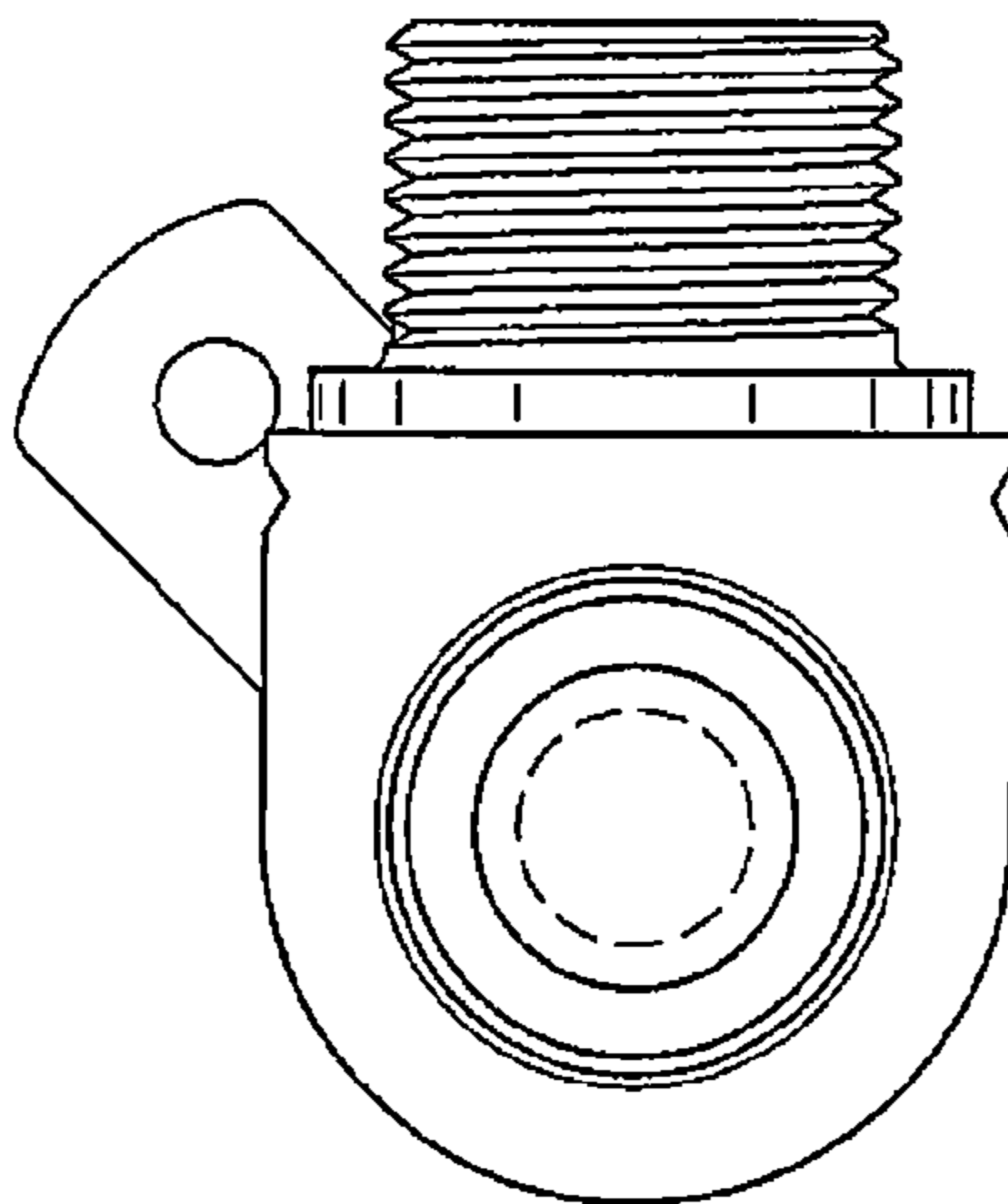


FIG. 6

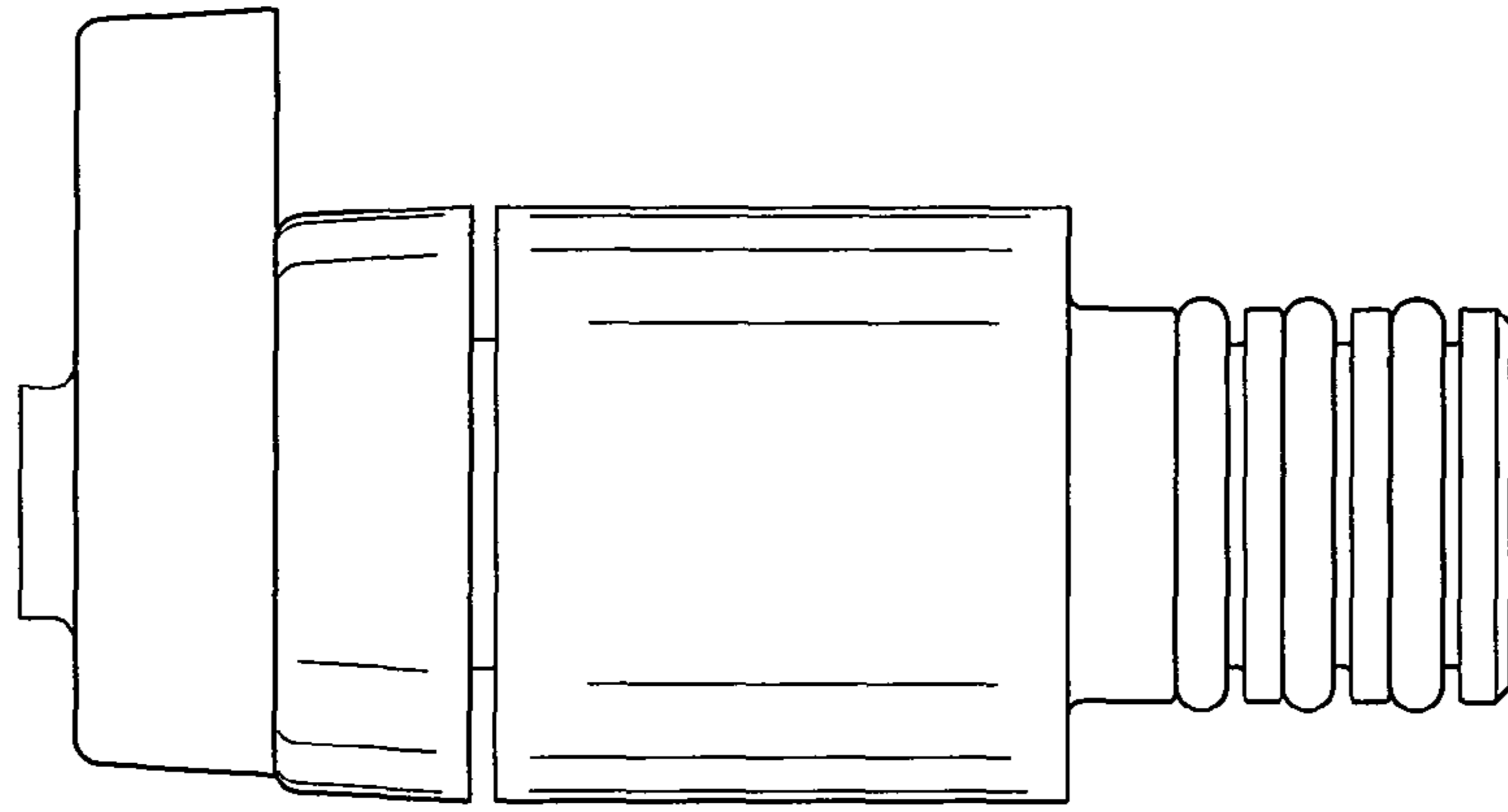


FIG. 8

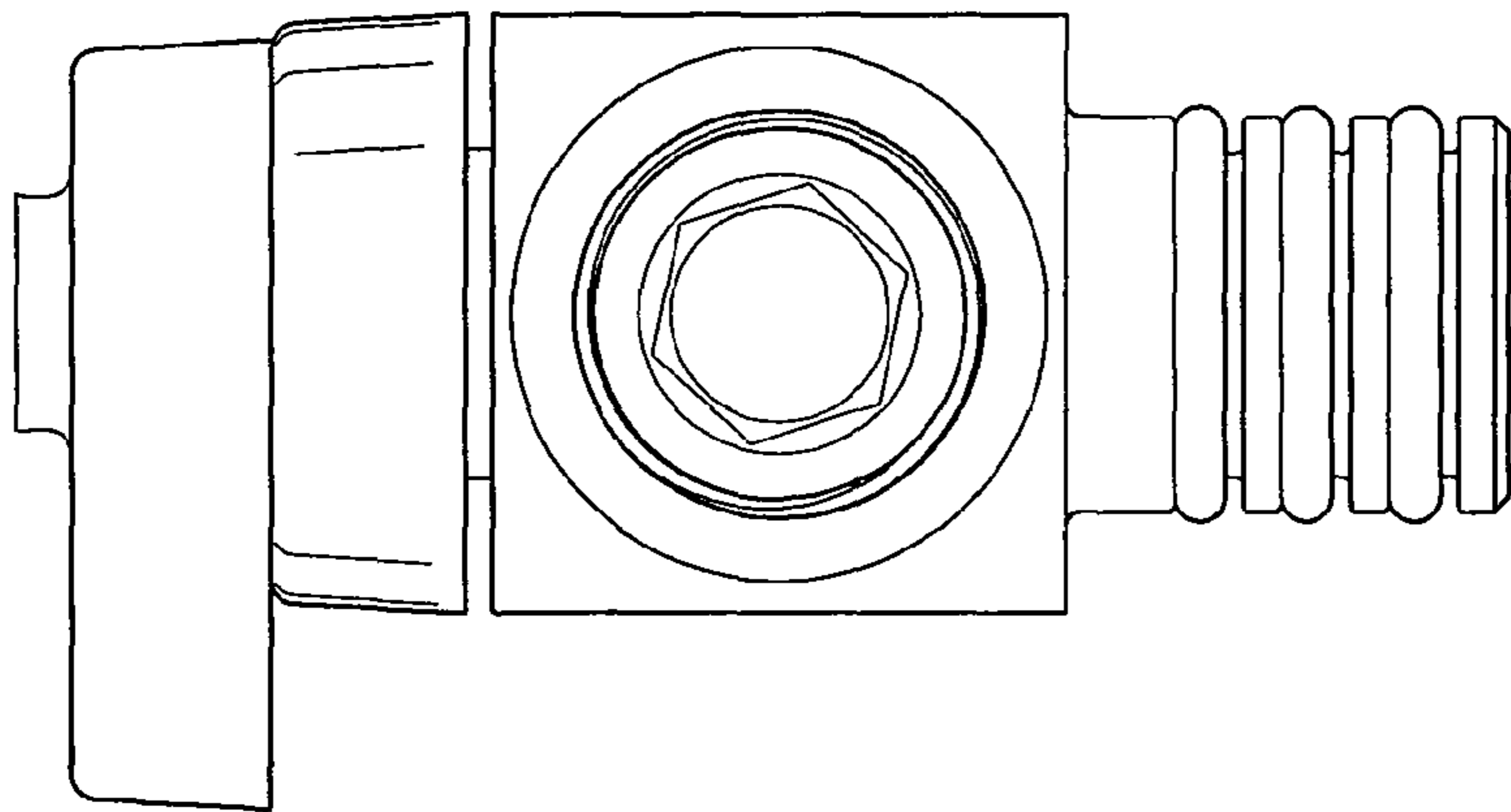


FIG. 7

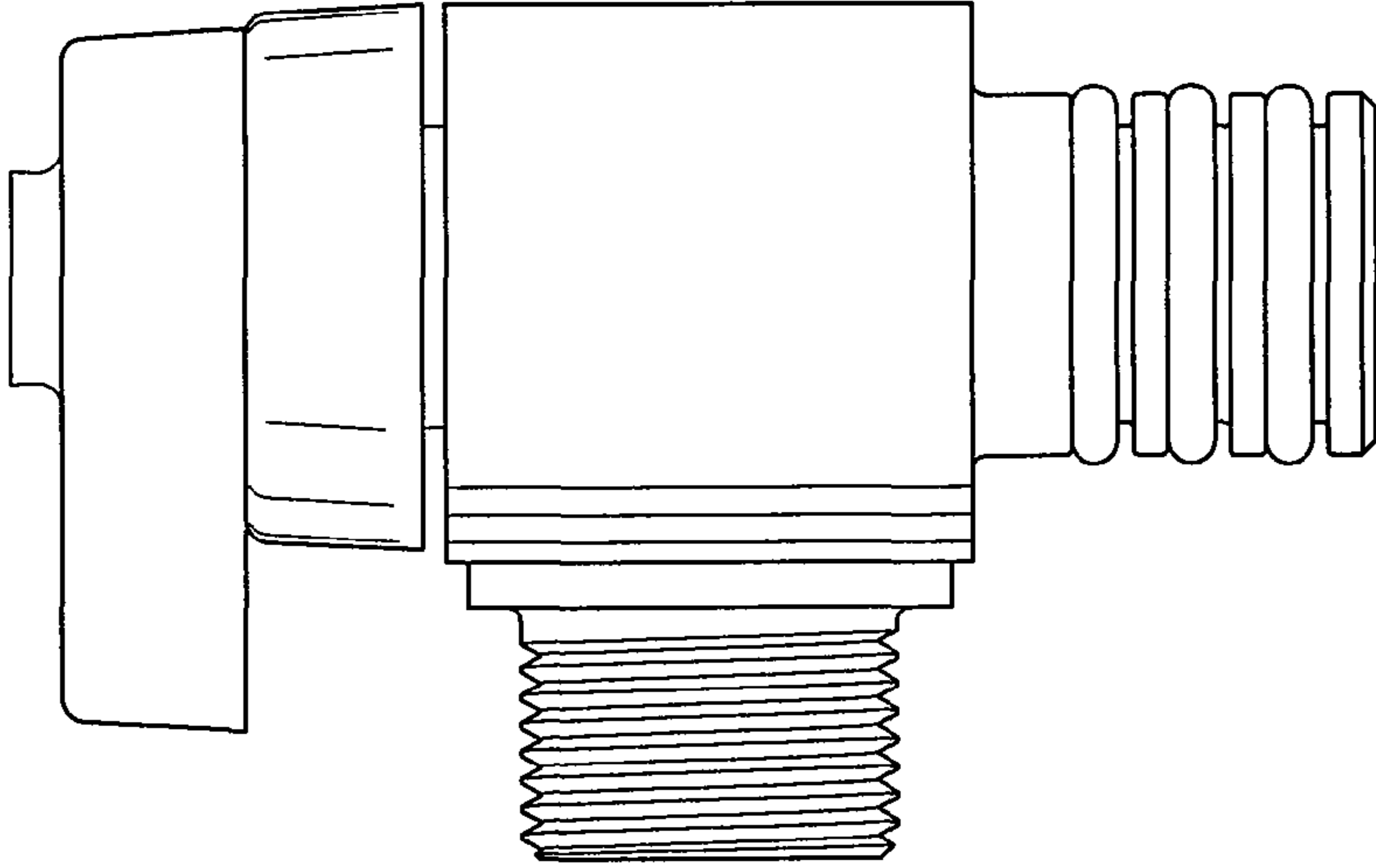


FIG. 10

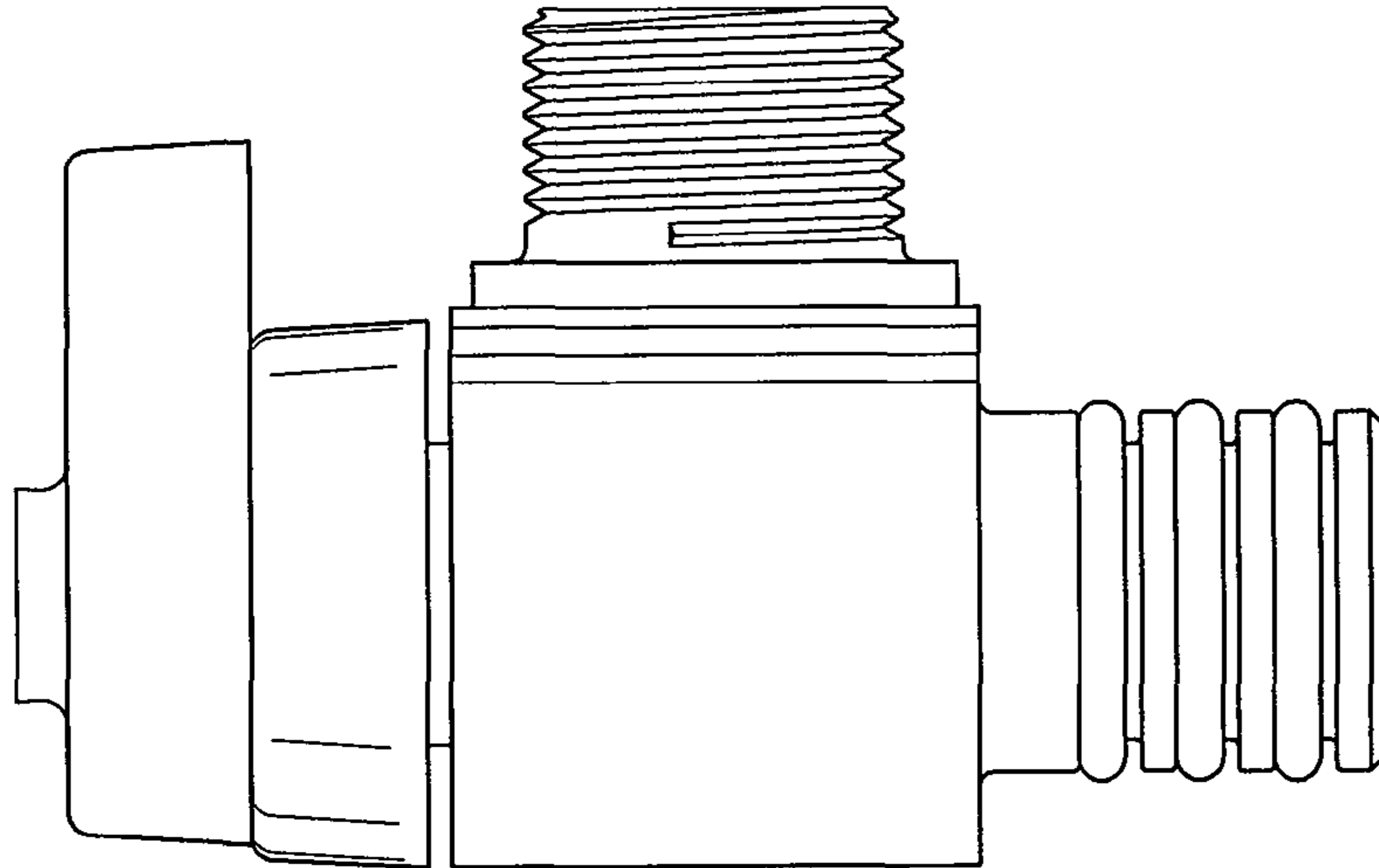


FIG. 9