



US00D724177S

(12) **United States Design Patent**
Lee et al.

(10) **Patent No.:** **US D724,177 S**
(45) **Date of Patent:** **** Mar. 10, 2015**

(54) **WATER TANK**

(71) Applicant: **Samsung Electronics Co., Ltd.**,
Suwon-si, Gyeonggi-do (KR)
(72) Inventors: **Jong-Hyub Lee**, Seoul (KR);
Min-Hyoug Boo, Seoul (KR);
Hyun-Soo Kim, Seongnam-si (KR);
Young-Min Park, Seoul (KR);
Kyung-Tae Kim, Suwon-si (KR)
(73) Assignee: **Samsung Electronics Co., Ltd.** (KR)

(**) Term: **14 Years**
(21) Appl. No.: **29/459,546**
(22) Filed: **Jul. 1, 2013**

(30) **Foreign Application Priority Data**
Jan. 2, 2013 (KR) 30-2013-0000142
(51) **LOC (10) Cl.** **23-01**
(52) **U.S. Cl.**
USPC **D23/202**
(58) **Field of Classification Search**
USPC D23/202-204; 220/581, 582, 587, 565,
220/905; 210/532.2
See application file for complete search history.

(56) **References Cited**

U.S. PATENT DOCUMENTS

D612,448 S * 3/2010 Richardson D23/202
D647,168 S * 10/2011 Lerner et al. D23/202
D689,979 S * 9/2013 Pritchard D23/202
D692,092 S * 10/2013 Pritchard D23/202

* cited by examiner

Primary Examiner — Robin V Webster
(74) *Attorney, Agent, or Firm* — Cantor Colburn LLP

(57) **CLAIM**

We claim, the ornamental design for a water tank, as shown and described.

DESCRIPTION

FIG. 1 is a perspective view of a water tank, showing our new design;
FIG. 2 is a front elevation view thereof;
FIG. 3 is a rear elevation view thereof;
FIG. 4 is a side elevation view thereof;
FIG. 5 is a another side elevation view thereof;
FIG. 6 is a top plan view thereof; and,
FIG. 7 is a bottom plan view thereof.

1 Claim, 4 Drawing Sheets

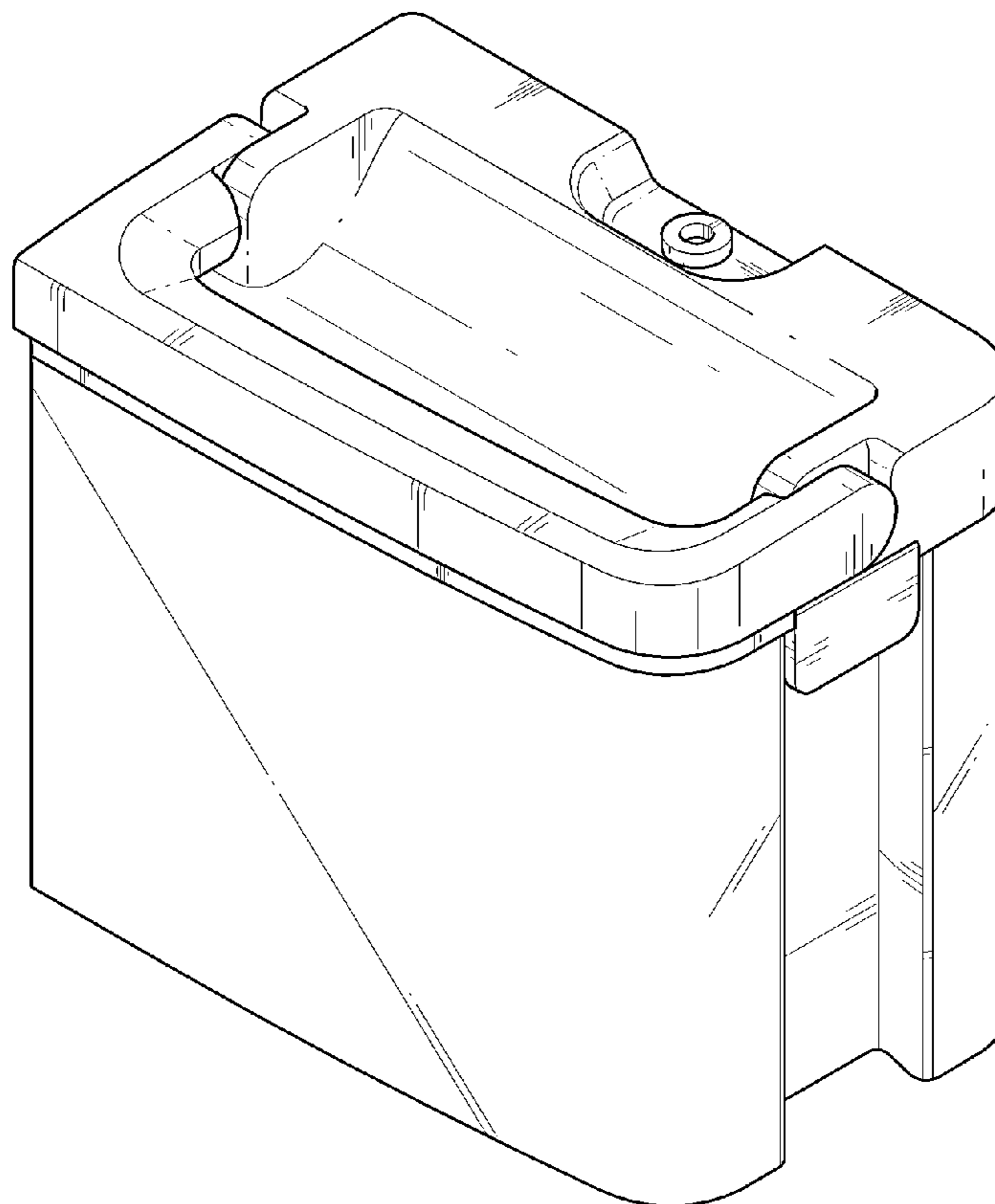


FIG. 1

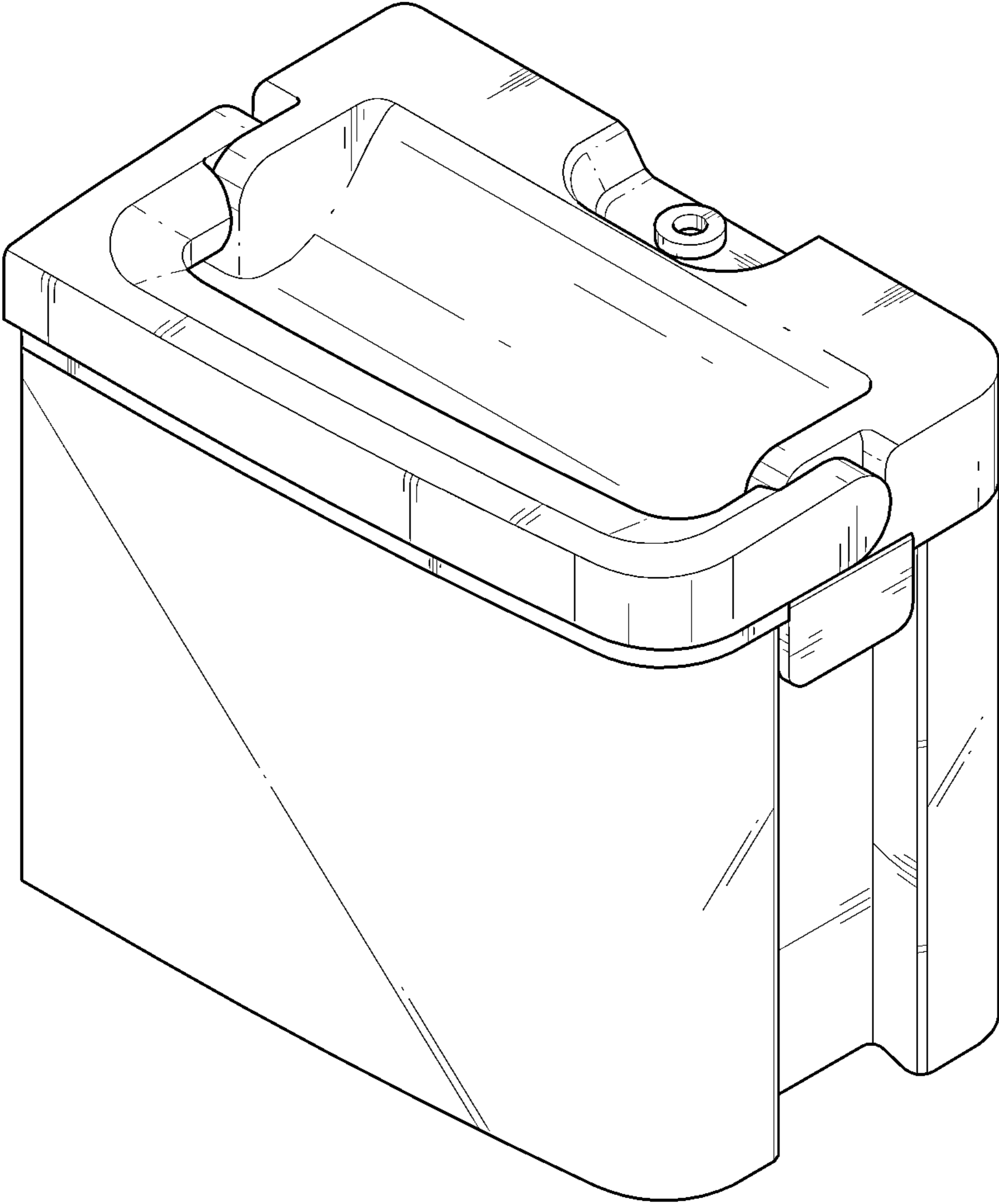


FIG. 2

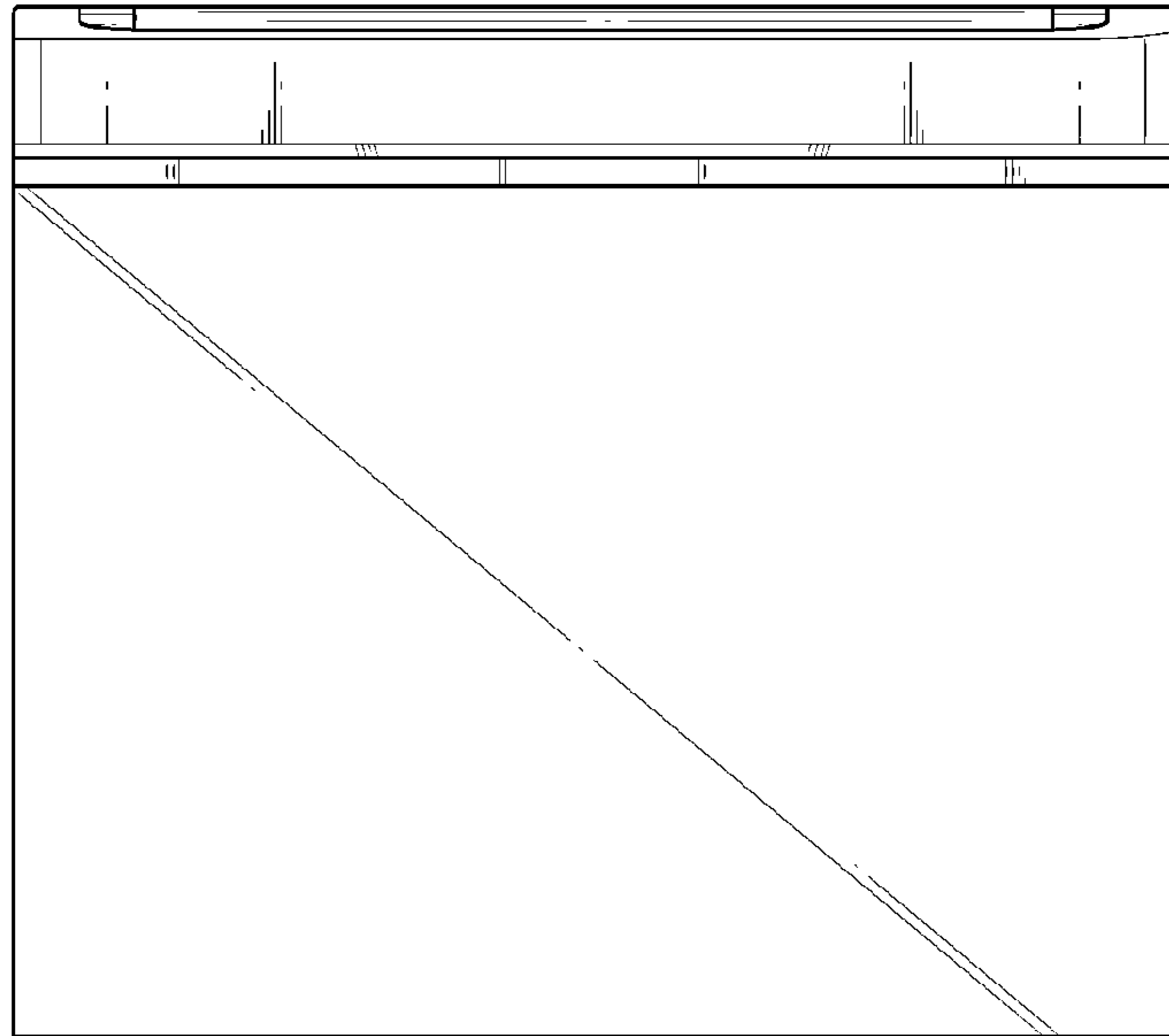


FIG. 3

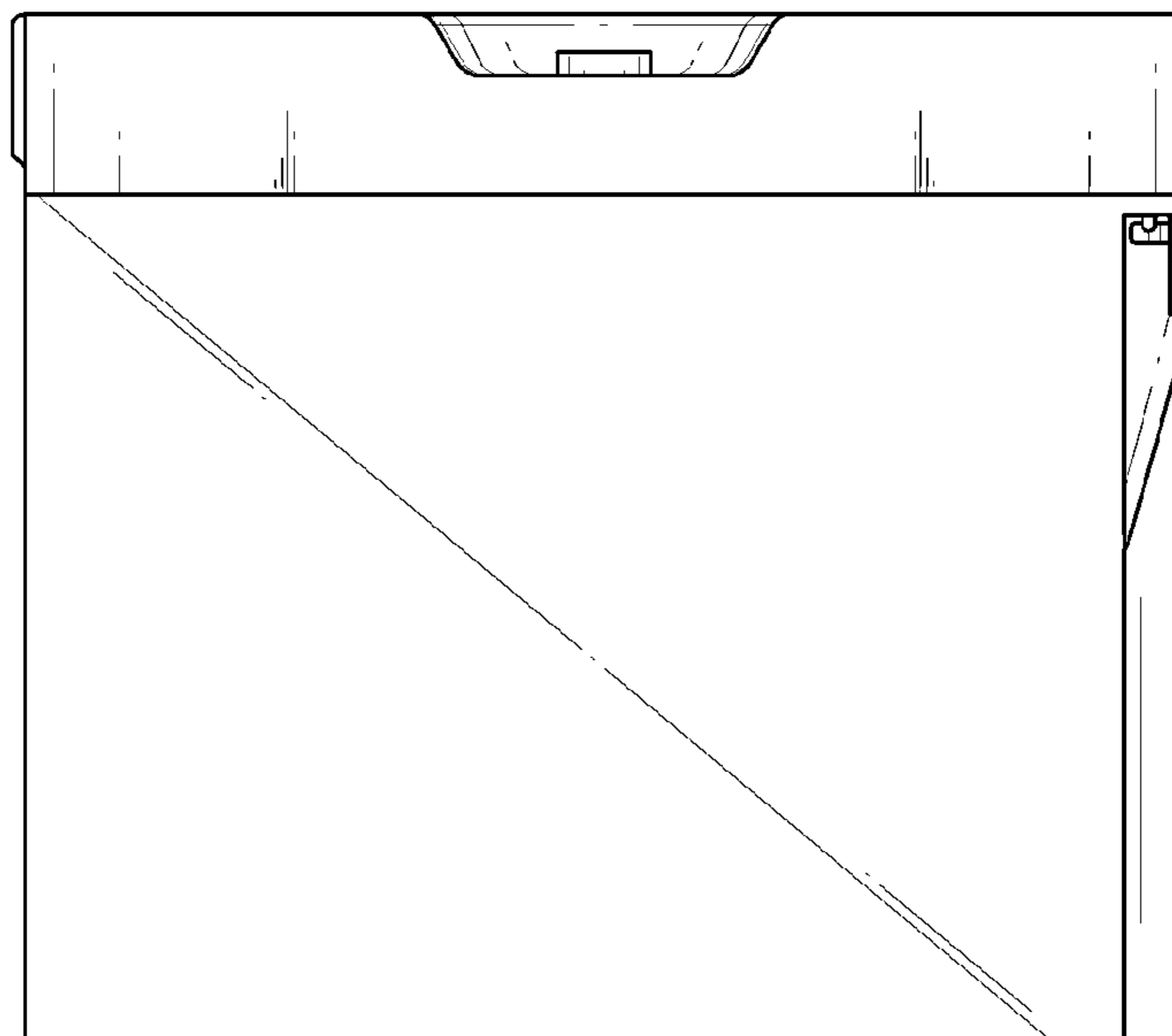


FIG. 4

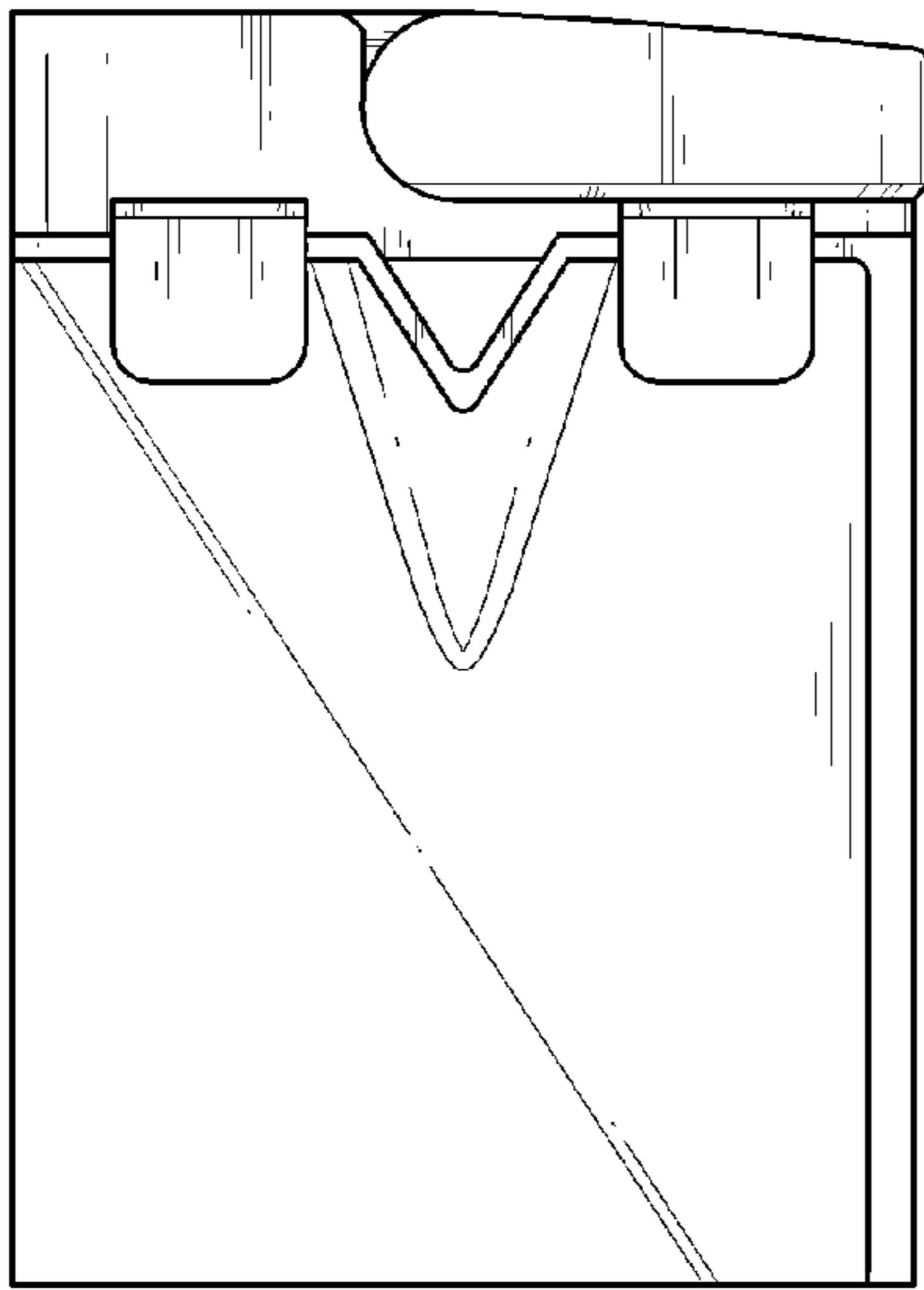


FIG. 5

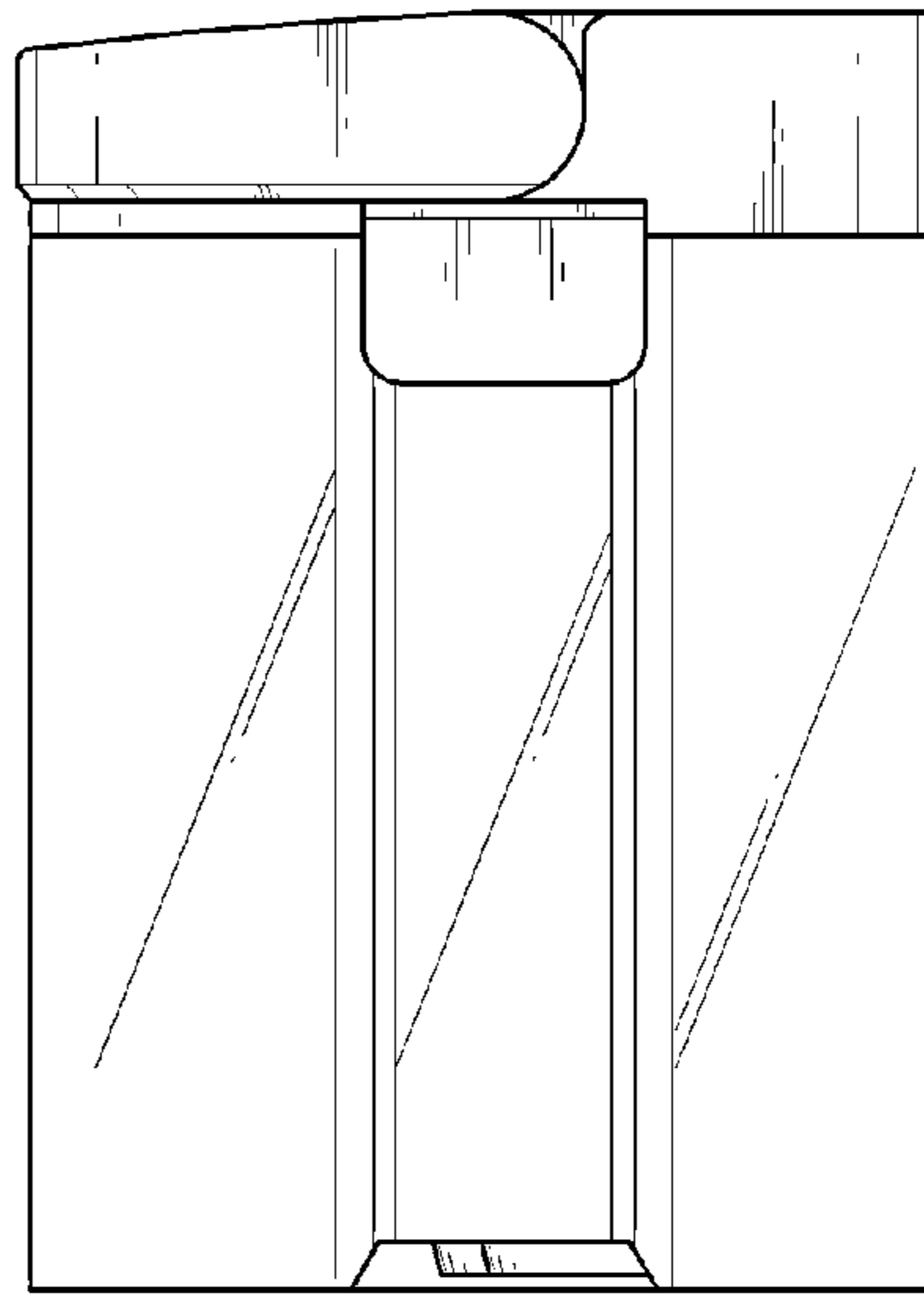


FIG. 6

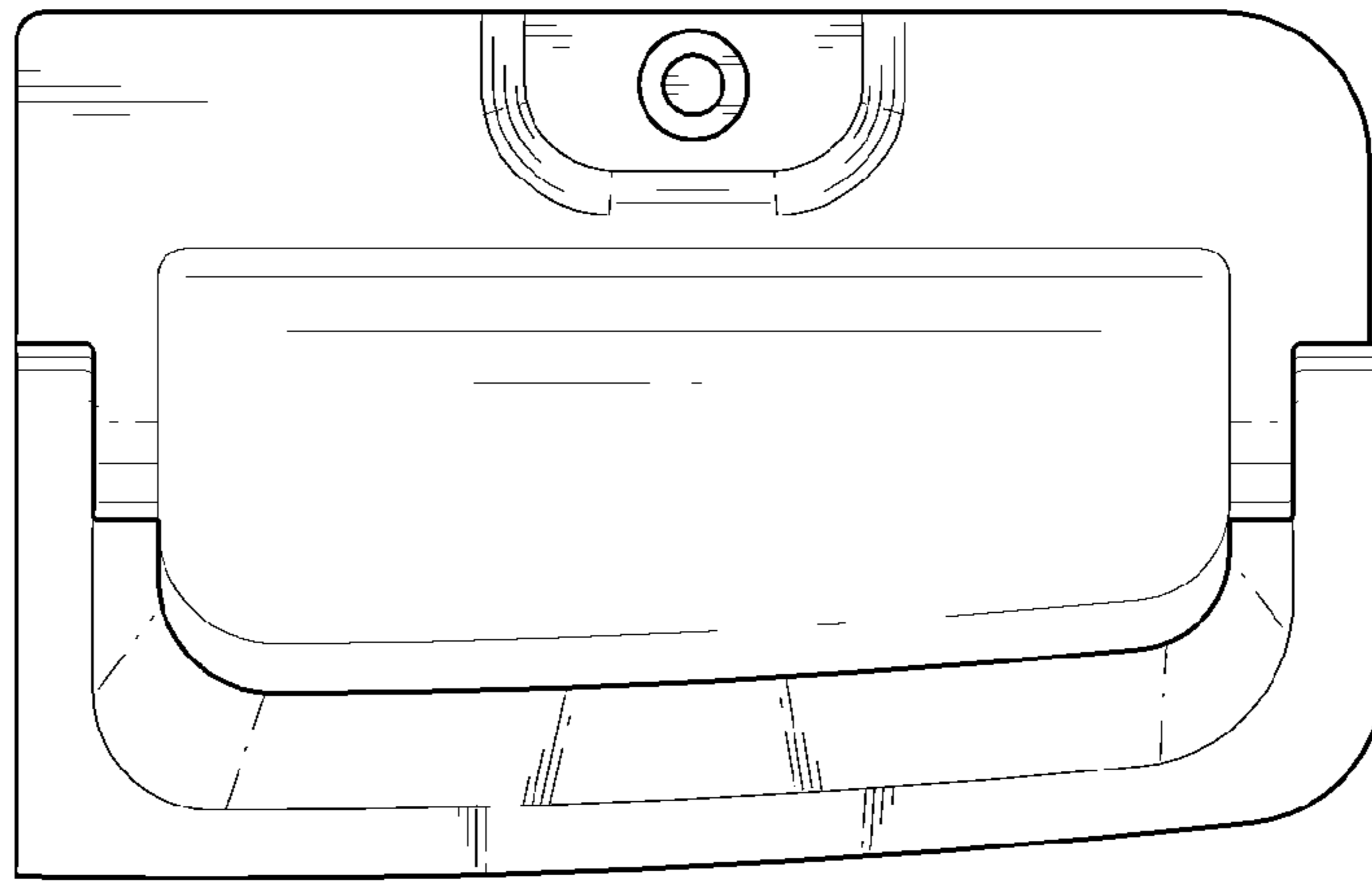


FIG. 7

