



US00D724176S

(12) **United States Design Patent**
Maestas

(10) **Patent No.:** **US D724,176 S**
(45) **Date of Patent:** **** Mar. 10, 2015**

(54) **HUMANE GAME DISPATCHER**

Primary Examiner — Catheri Oliver-Garcia

(71) Applicant: **David Maestas**, Los Lunas, NM (US)

(72) Inventor: **David Maestas**, Los Lunas, NM (US)

(**) Term: **14 Years**

(21) Appl. No.: **29/495,124**

(22) Filed: **Jun. 27, 2014**

(51) **LOC (10) Cl.** **22-99**

(52) **U.S. Cl.**
USPC **D22/199**; D22/149

(58) **Field of Classification Search**
USPC D22/199, 149; 119/713, 715, 756, 806;
452/54, 63; 473/583; 81/304, 311
See application file for complete search history.

(56) **References Cited**

U.S. PATENT DOCUMENTS

2,466,489	A *	4/1949	Silfen	452/54
2,555,701	A *	6/1951	Ott et al.	452/54
3,324,503	A *	6/1967	St Clair	452/54
D347,678	S *	6/1994	McCann et al.	D22/148
D713,927	S *	9/2014	Albanese	D22/149

* cited by examiner

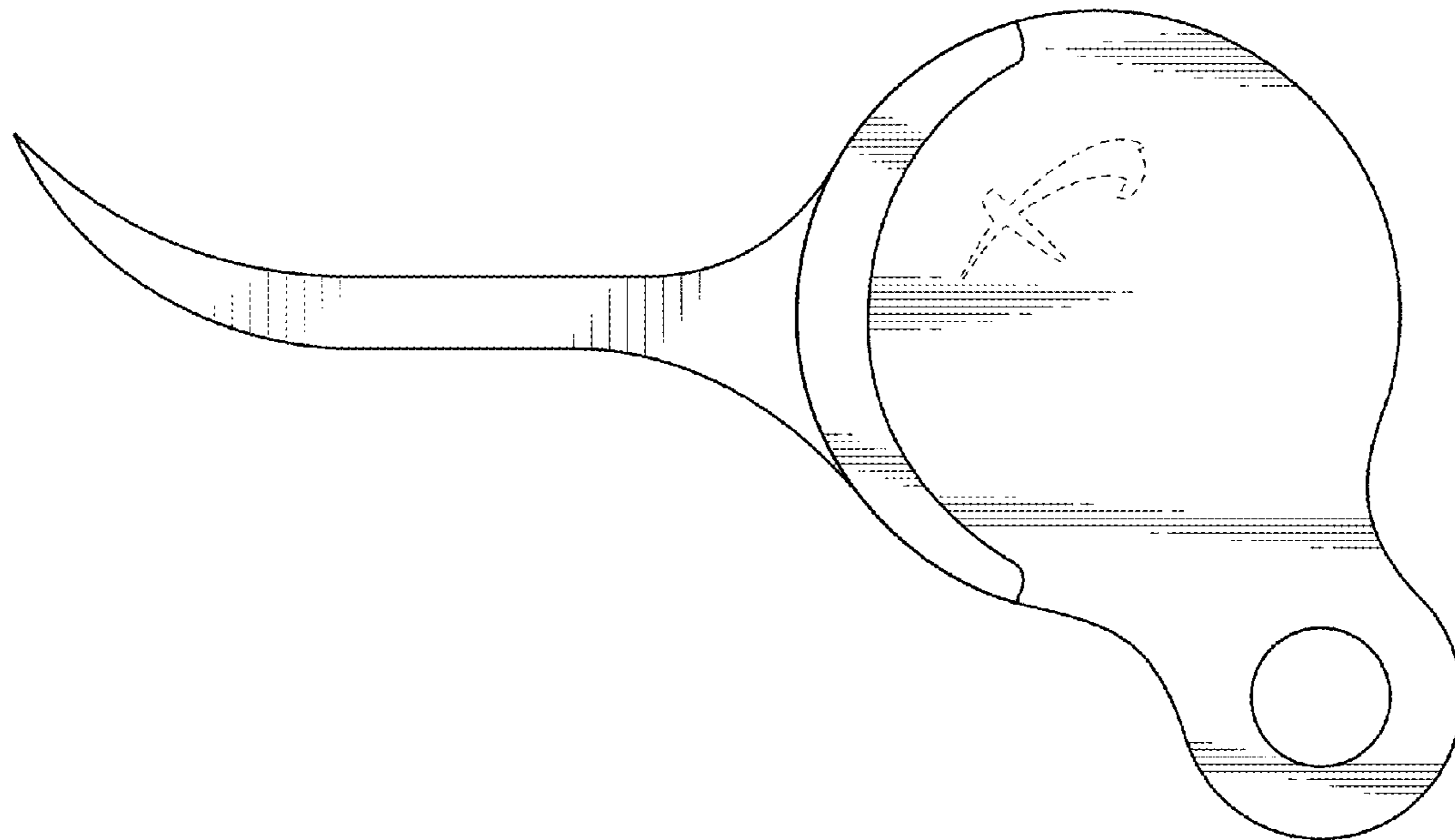
(57) **CLAIM**

The ornamental design for the humane game dispatcher, as shown and described.

DESCRIPTION

FIG. 1 is a top plan view of a humane game dispatcher;
FIG. 2 is a top front perspective view thereof;
FIG. 3 is a top rear perspective view thereof;
FIG. 4 is a top right perspective view thereof;
FIG. 5 is a top left perspective view thereof;
FIG. 6 is a top front right perspective view thereof;
FIG. 7 is a bottom plan view thereof;
FIG. 8 is a front elevation view thereof;
FIG. 9 is a rear elevation view thereof;
FIG. 10 is a right side elevation view thereof; and,
FIG. 11 is a left side elevation view thereof.
The broken line showing of environment in the drawings is included for the purpose of illustrating only and forms no part of the claimed design.

1 Claim, 5 Drawing Sheets



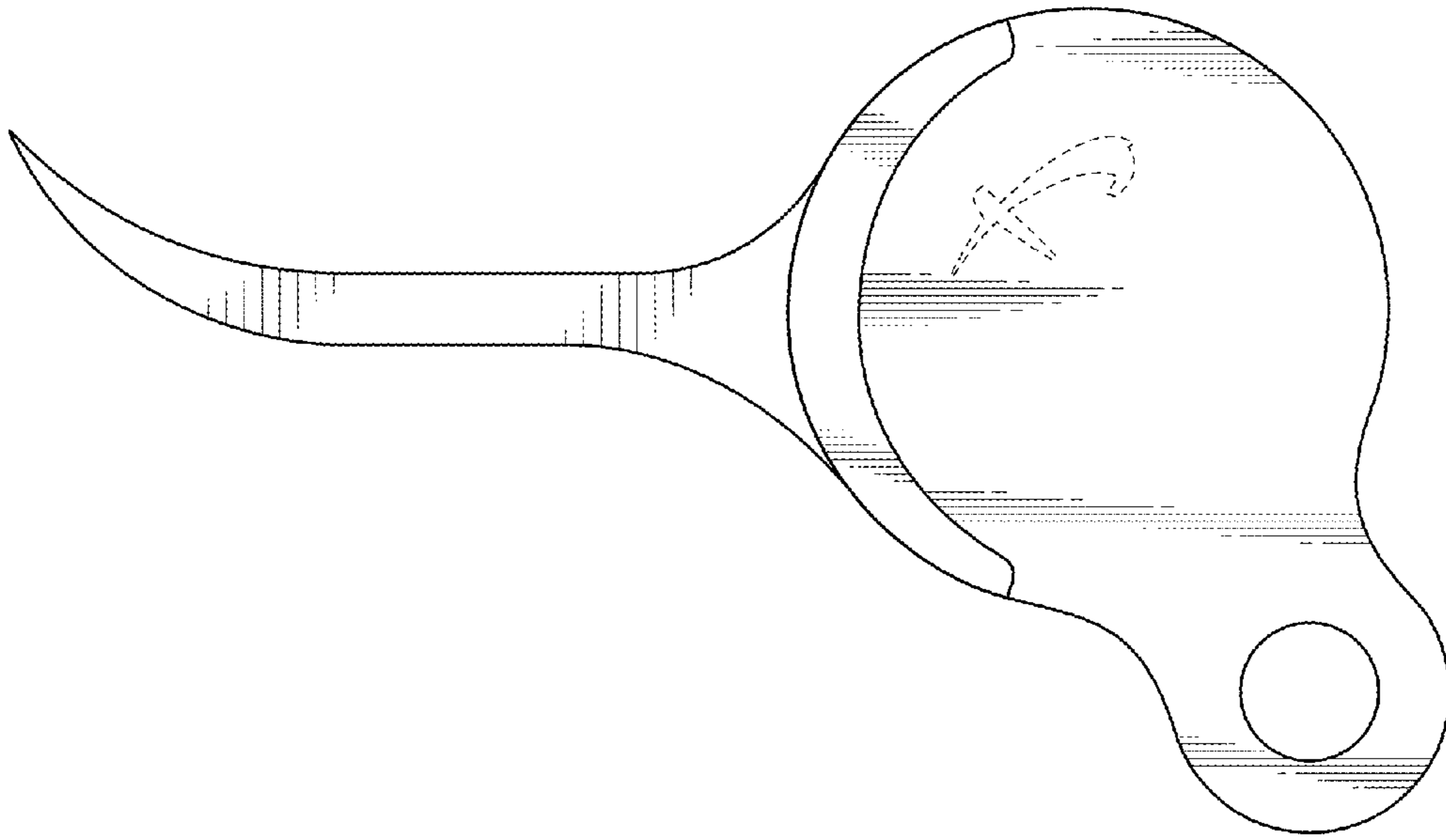


FIG. 1

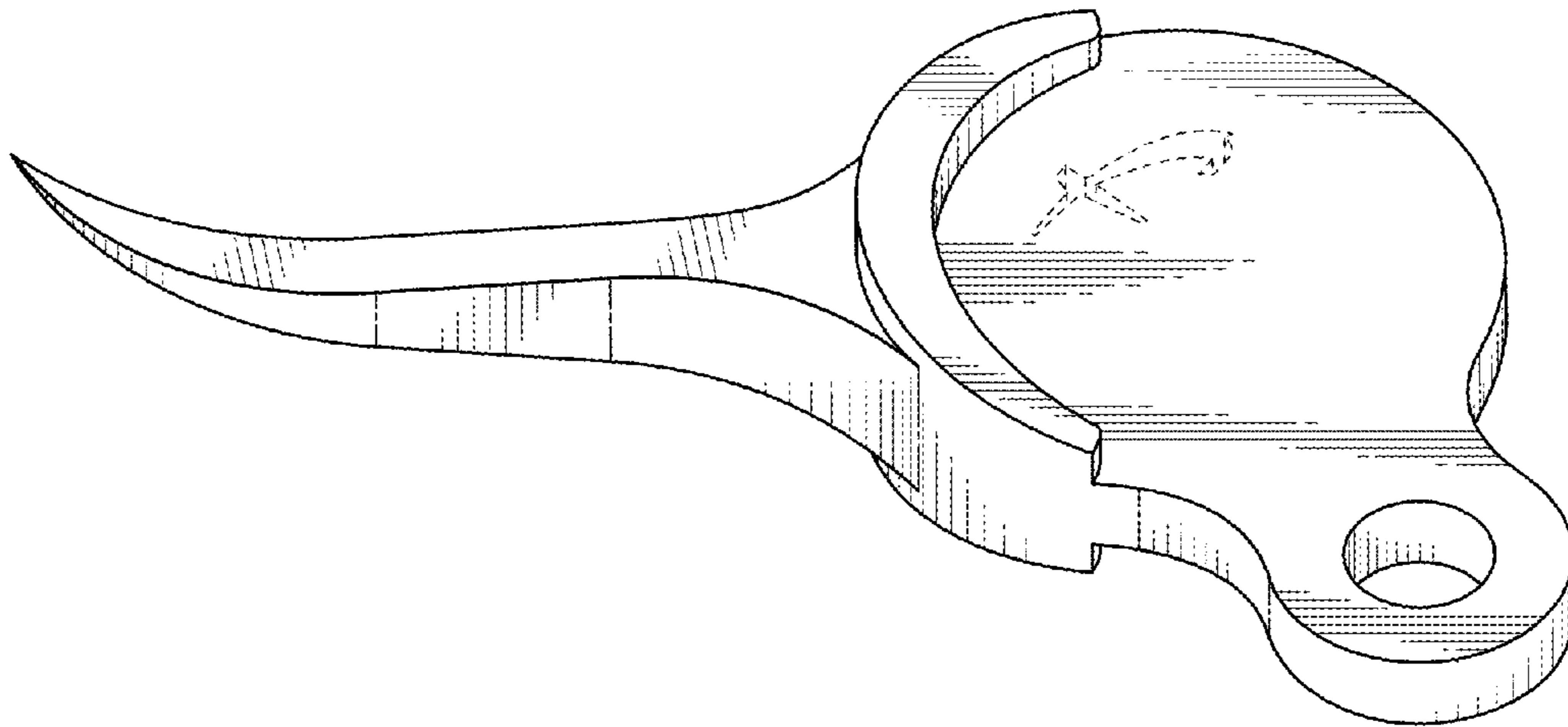


FIG. 2

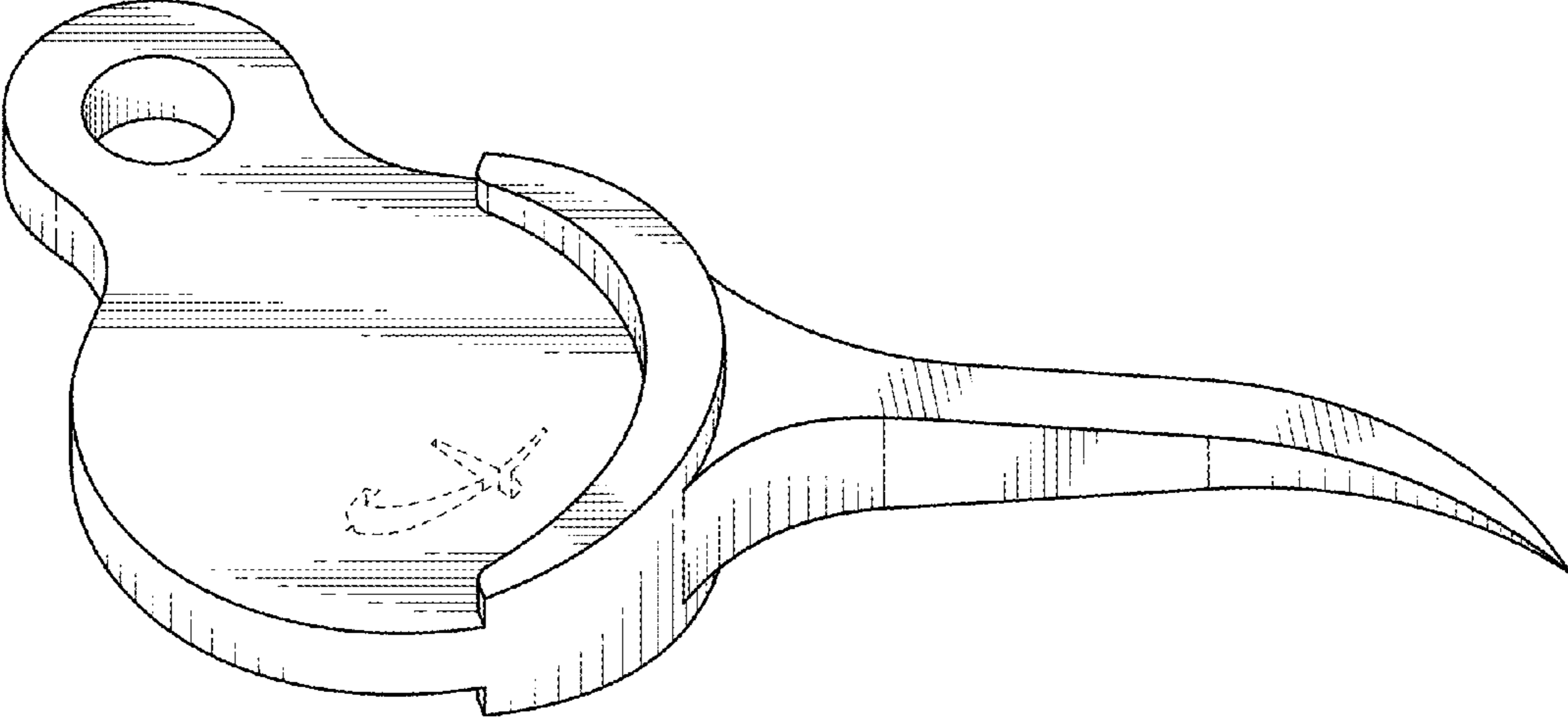


FIG. 3

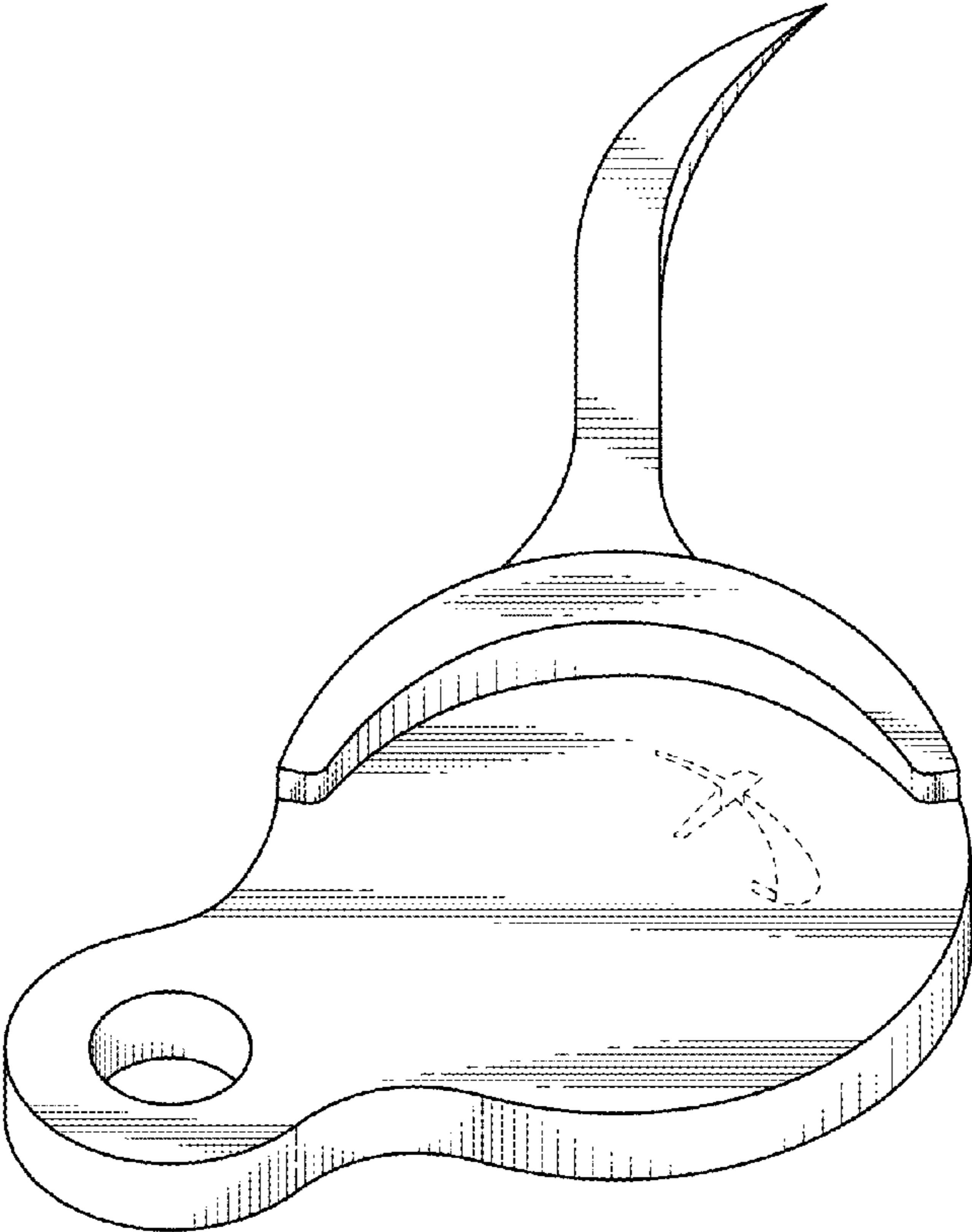


FIG. 4

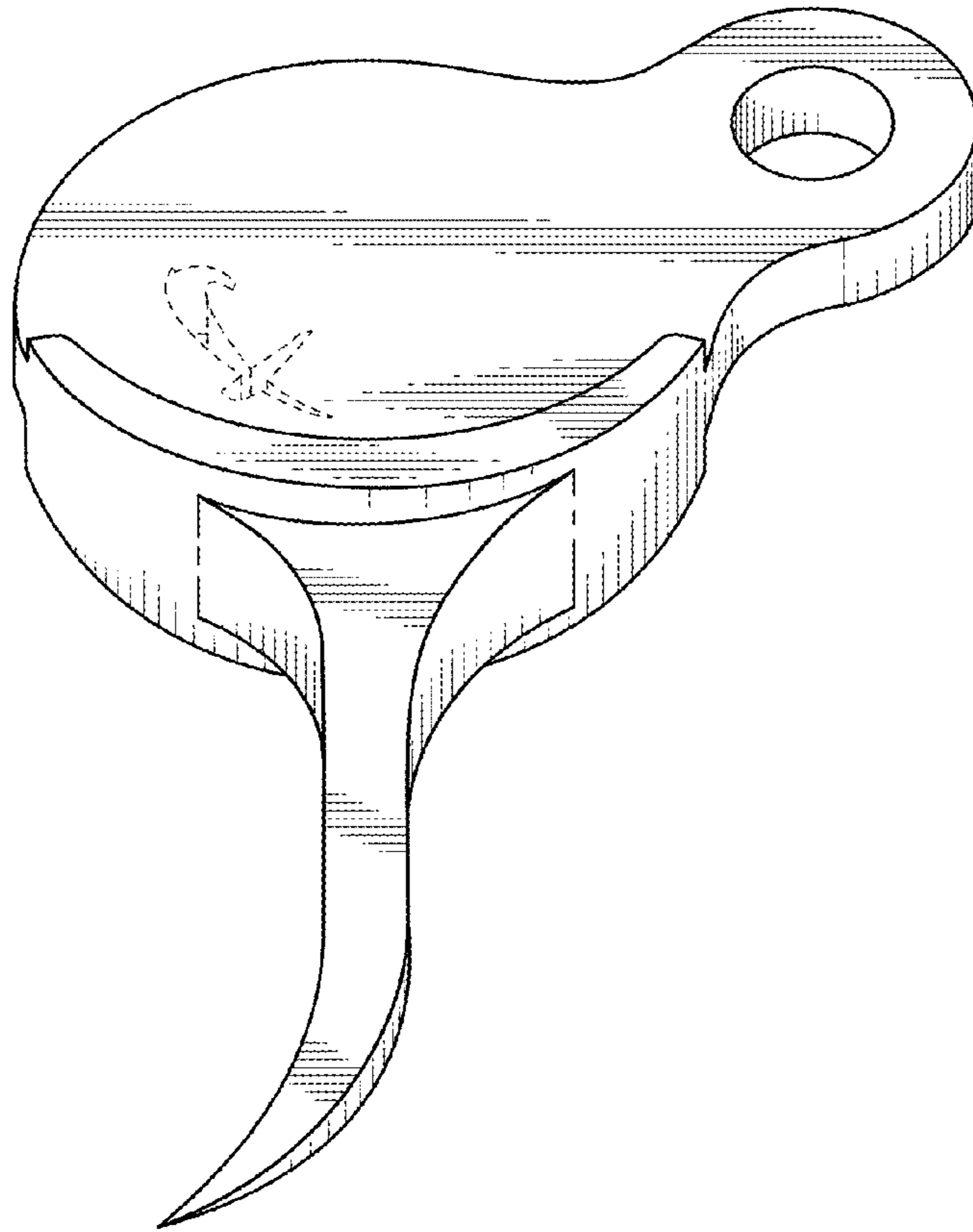


FIG. 5

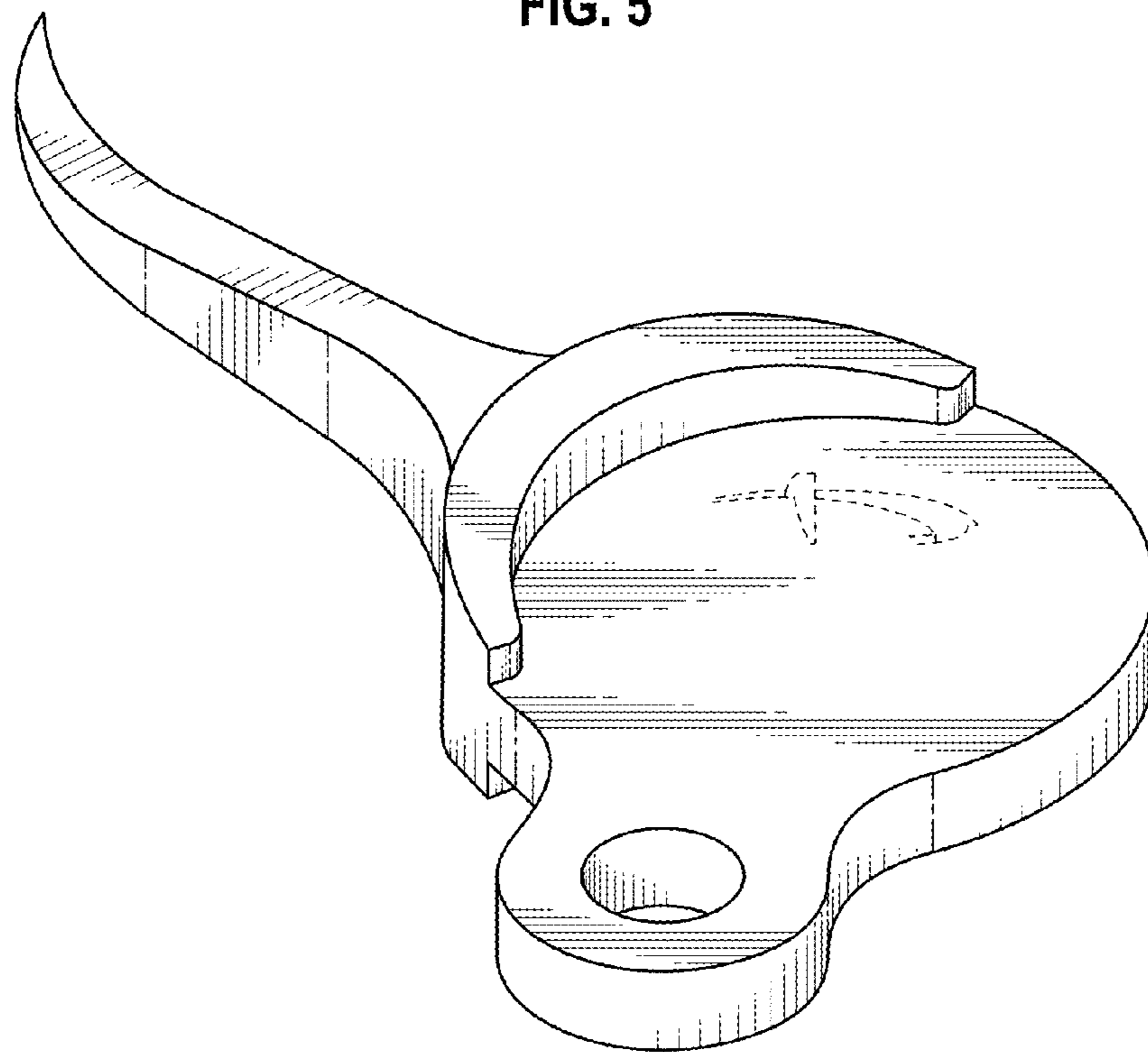


FIG. 6

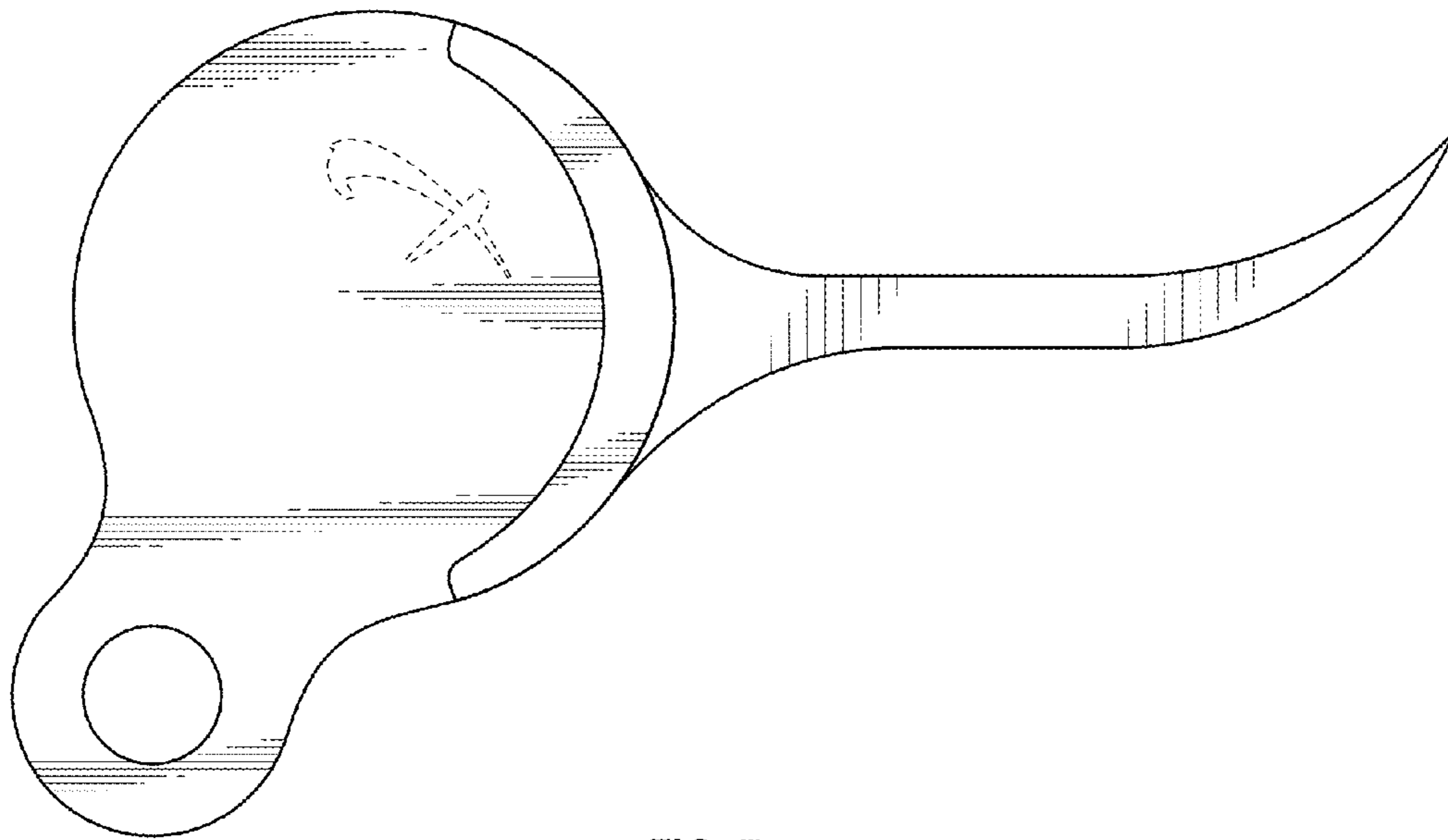


FIG. 7

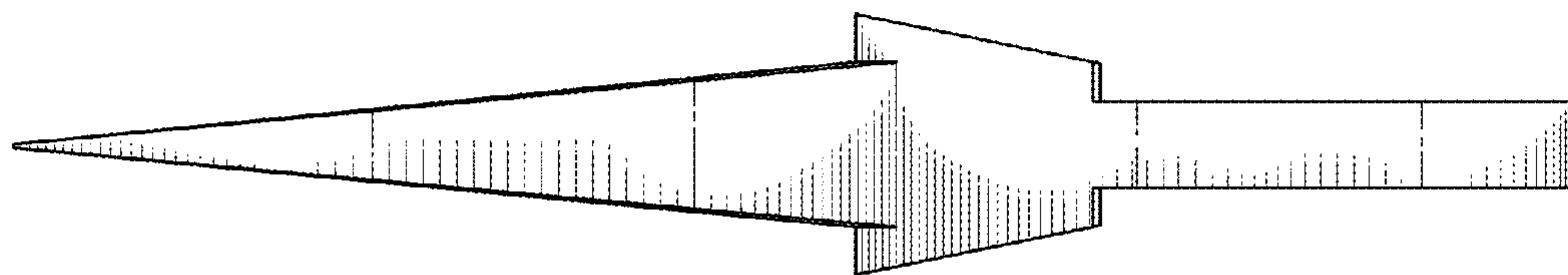


FIG. 8

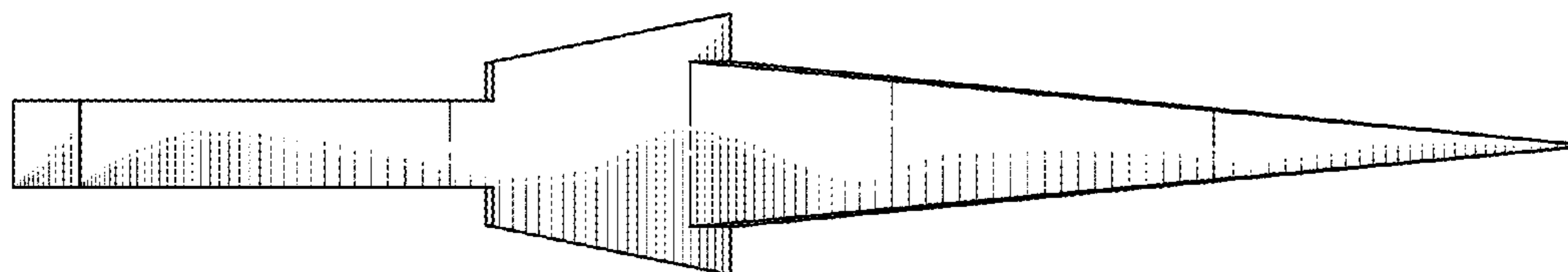


FIG. 9

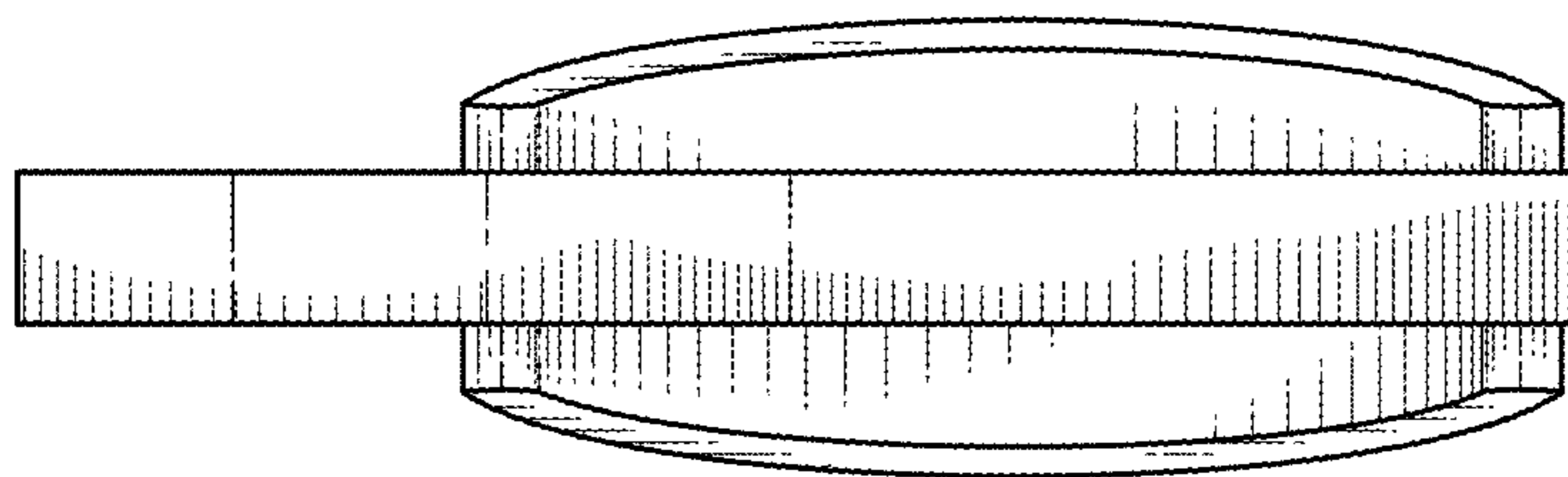


FIG.10

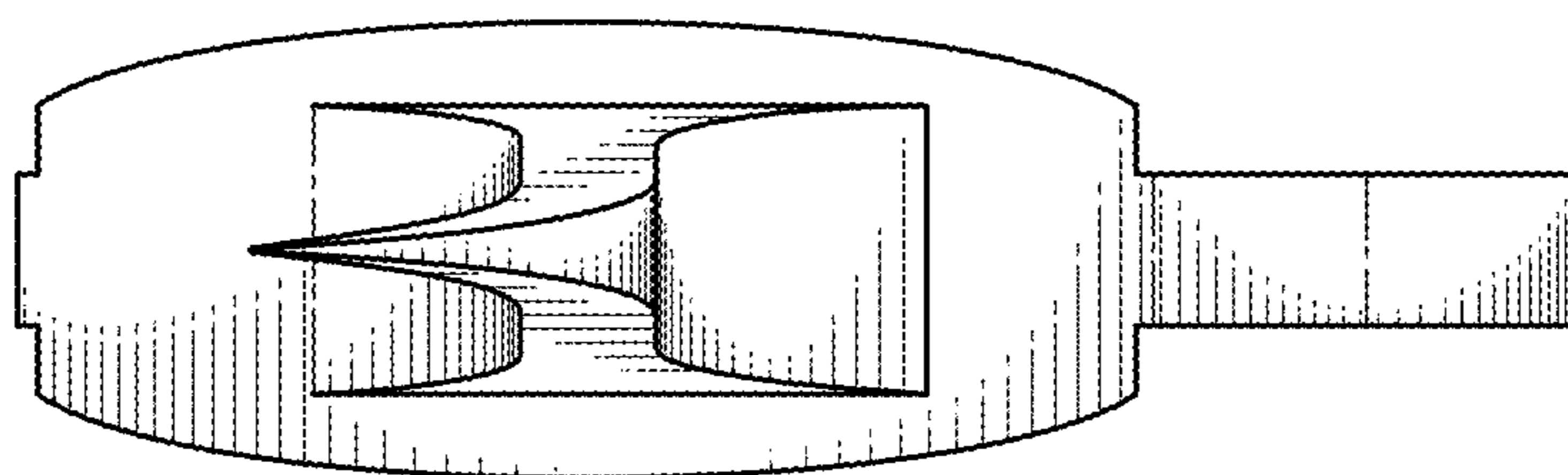


FIG.11