



US00D724174S

(12) **United States Design Patent**  
**Nago**

(10) **Patent No.:** **US D724,174 S**  
(45) **Date of Patent:** **\*\* Mar. 10, 2015**

(54) **FISHING REEL**

D609,772 S \* 2/2010 Tohma et al. .... D22/140  
D661,774 S 6/2012 Nago et al.

(71) Applicant: **Shimano Inc.**, Sakai, Osaka (JP)

\* cited by examiner

(72) Inventor: **Akira Nago**, Osaka (JP)

*Primary Examiner* — Catheri Oliver-Garcia

(73) Assignee: **Shimano Inc.**, Osaka (JP)

(74) *Attorney, Agent, or Firm* — Global IP Counselors

(\*\*) Term: **14 Years**

(57) **CLAIM**

The ornamental design for fishing reel, as shown and described.

(21) Appl. No.: **29/488,290**

**DESCRIPTION**

(22) Filed: **Apr. 17, 2014**

FIG. 1 is a first perspective view of a fishing reel in accordance with my new design;

FIG. 2 is a second perspective view of the fishing reel illustrated in FIG. 1;

(30) **Foreign Application Priority Data**

Nov. 11, 2013 (JP) ..... 2013-026289

FIG. 3 is a front elevational view of the fishing reel illustrated in FIG. 1;

(51) **LOC (10) Cl.** ..... **22-05**

FIG. 4 is a rear elevational view of the fishing reel illustrated in FIG. 1;

(52) **U.S. Cl.**

USPC ..... **D22/140**

FIG. 5 is a top plan view of the fishing reel illustrated in FIG. 1;

(58) **Field of Classification Search**

USPC ..... D22/137-141; 242/310-316, 223-224, 242/230, 283, 322, 242; 43/19-22

FIG. 6 is a bottom plan view of the fishing reel illustrated in FIG. 1;

See application file for complete search history.

FIG. 7 is a side elevational view of the fishing reel illustrated in FIG. 1;

(56) **References Cited**

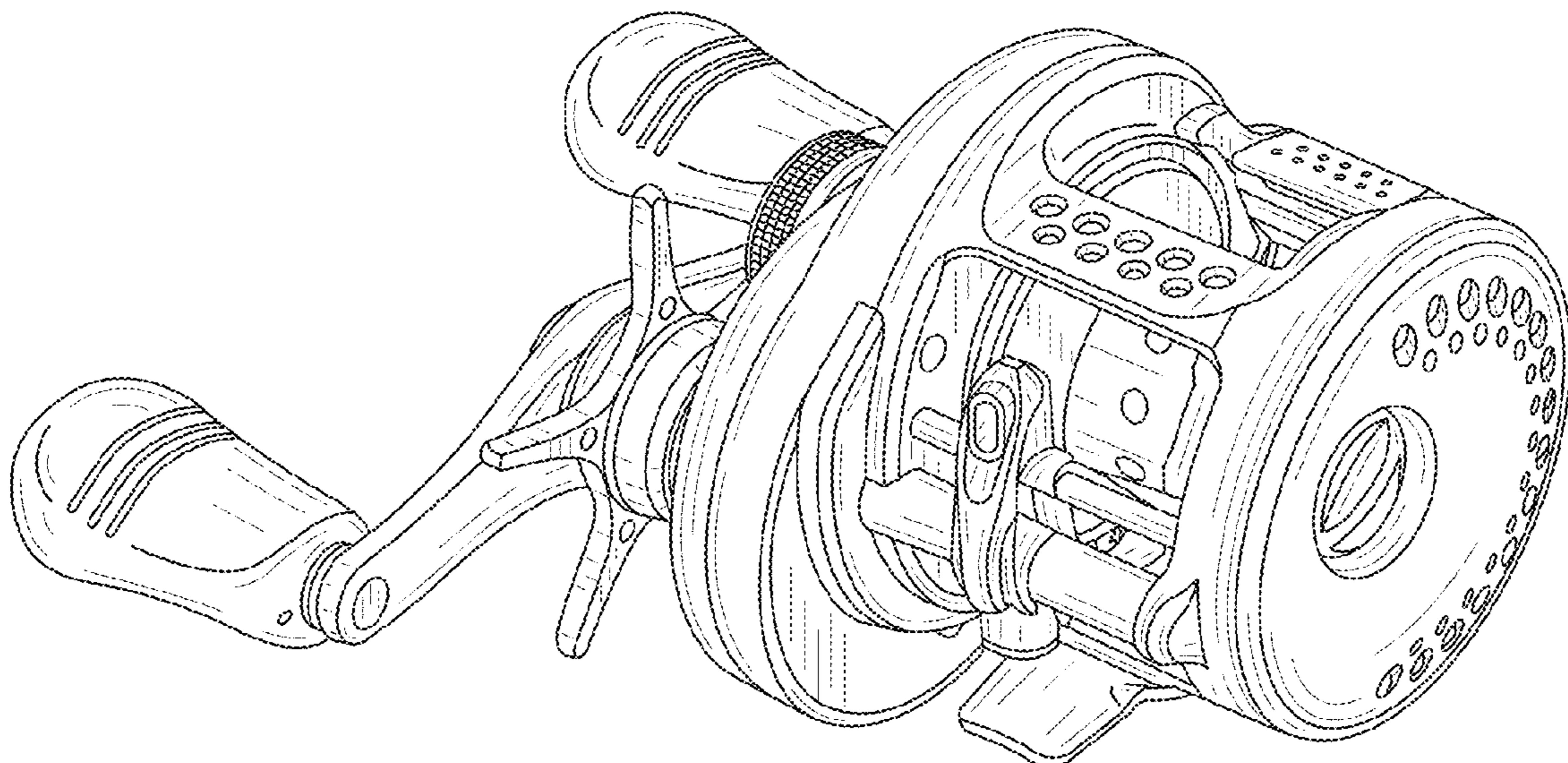
**U.S. PATENT DOCUMENTS**

D348,919 S 7/1994 Sato et al.  
D352,989 S \* 11/1994 Park ..... D22/140  
D367,515 S \* 2/1996 Robbins et al. .... D22/140  
D494,248 S 8/2004 Sakurai  
D593,637 S \* 6/2009 Kobayashi ..... D22/140

FIG. 8 is an opposite side elevational view of the fishing reel illustrated in FIG. 1; and,

FIG. 9 is a first side elevational view, corresponding to FIG. 7, of an alternate fishing reel, which is identical to the fishing reel illustrated in FIGS. 1 to 8, except that a portion is a transparent so that internal surfaces of the fishing reel beneath the transparent portion are visible through the transparent portion.

**1 Claim, 6 Drawing Sheets**



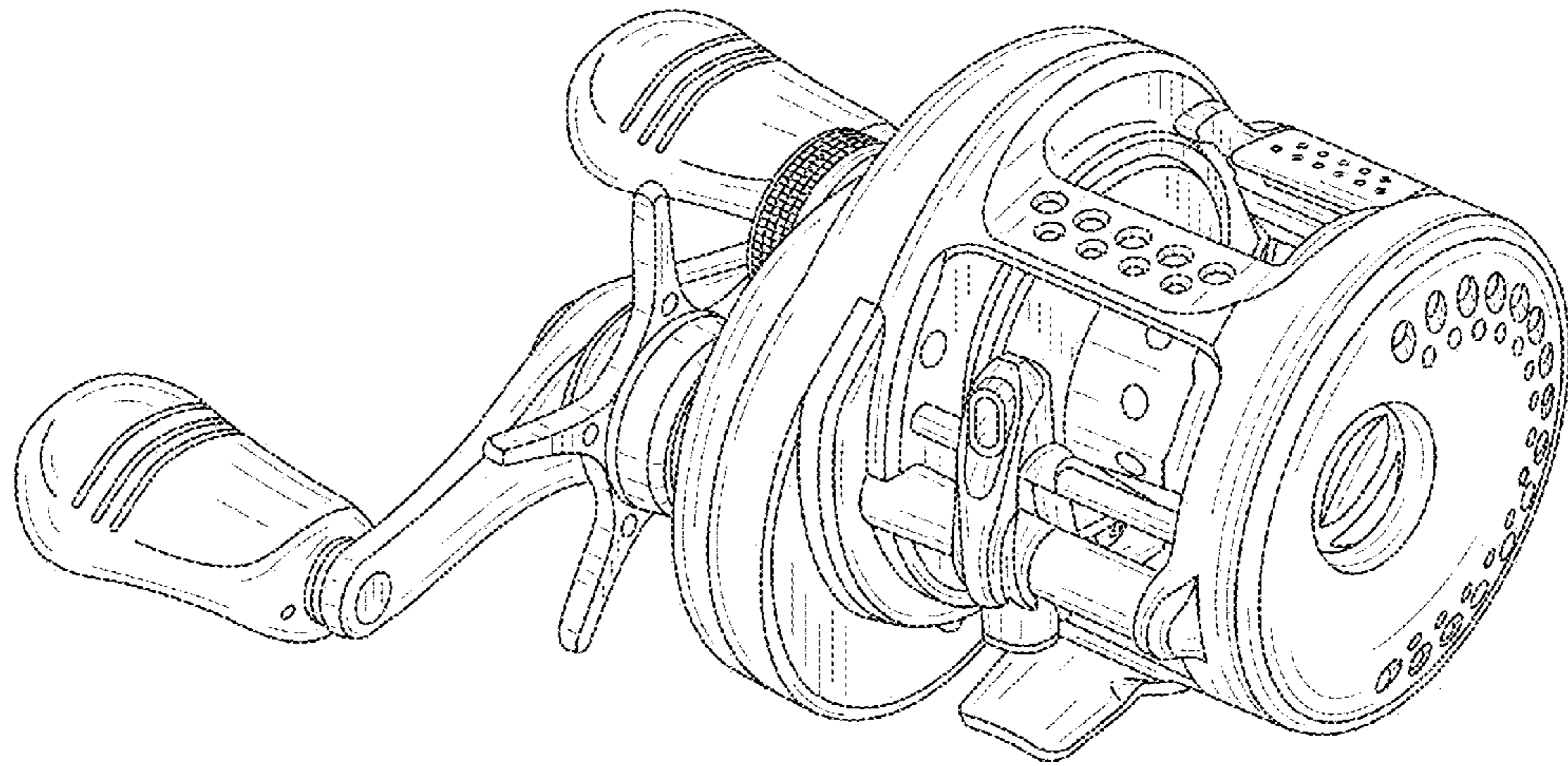


FIG. 1

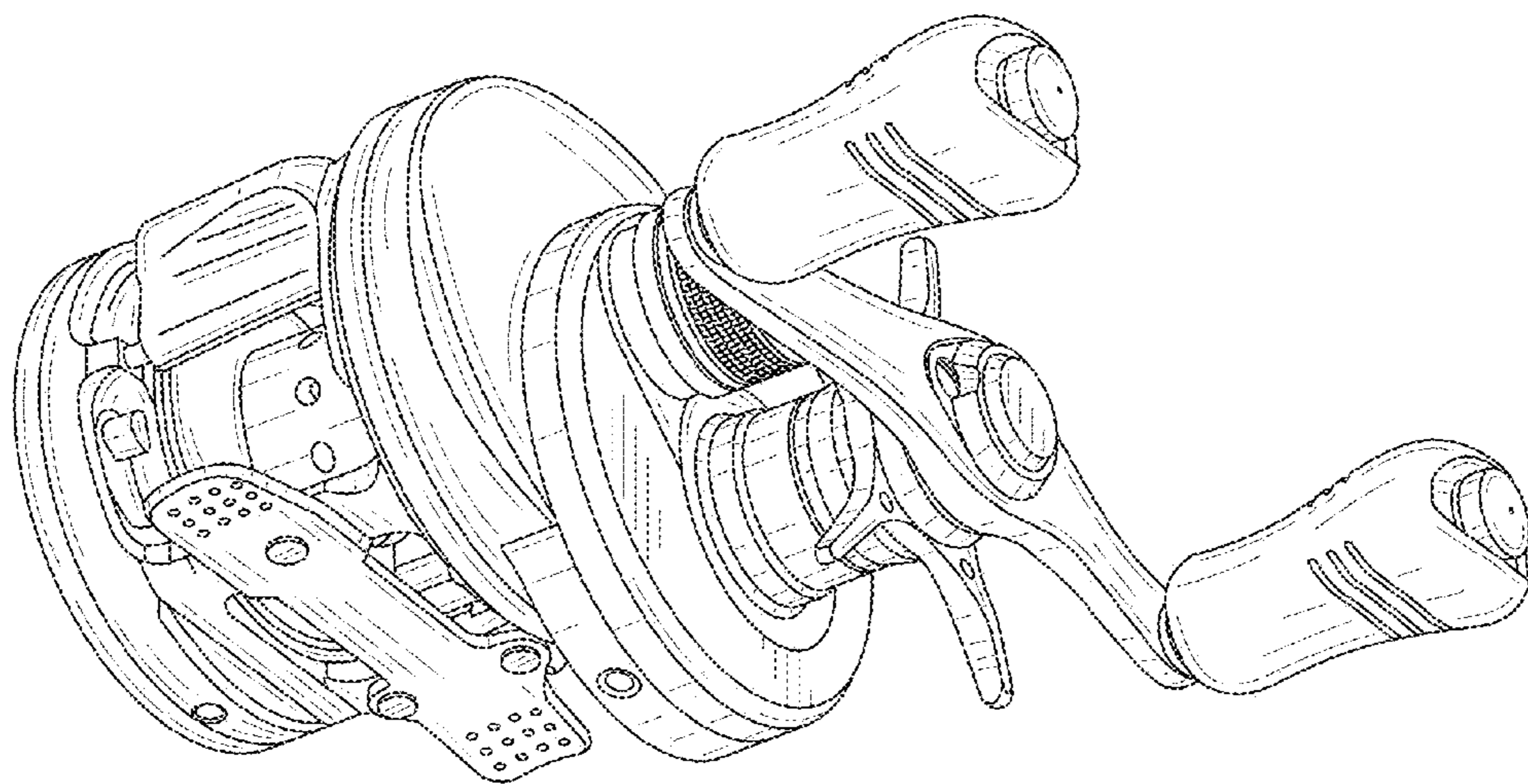


FIG. 2

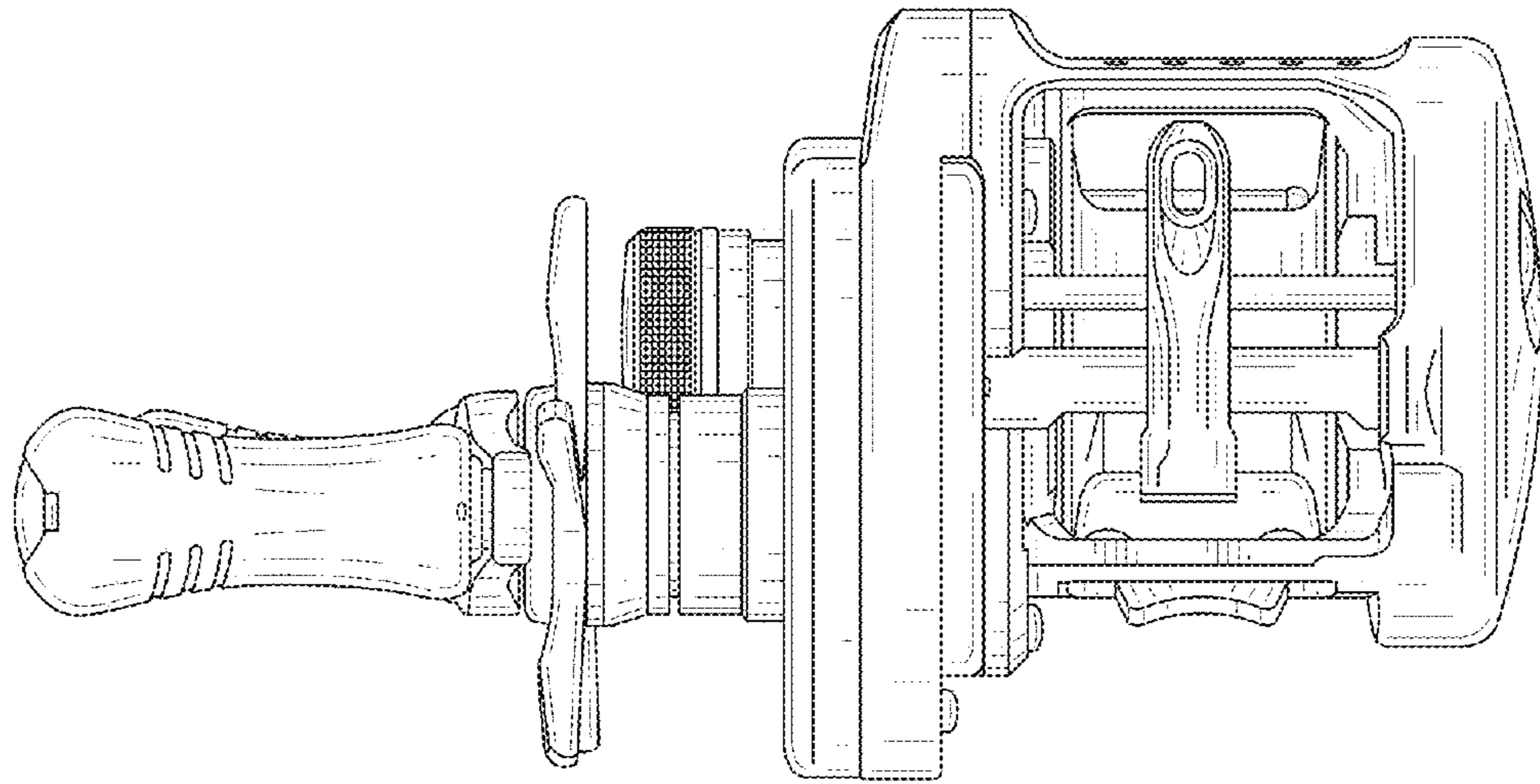


FIG. 3

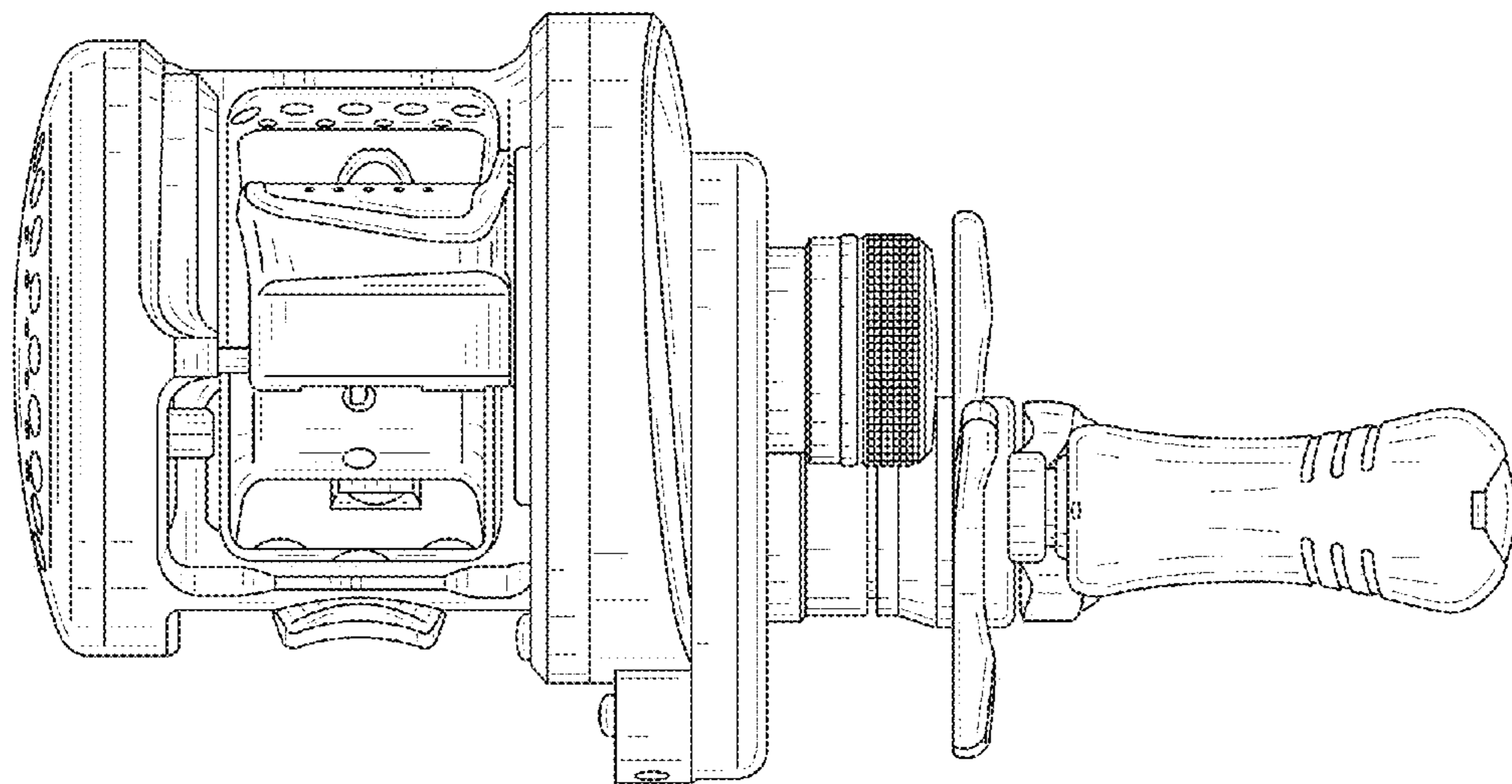


FIG. 4

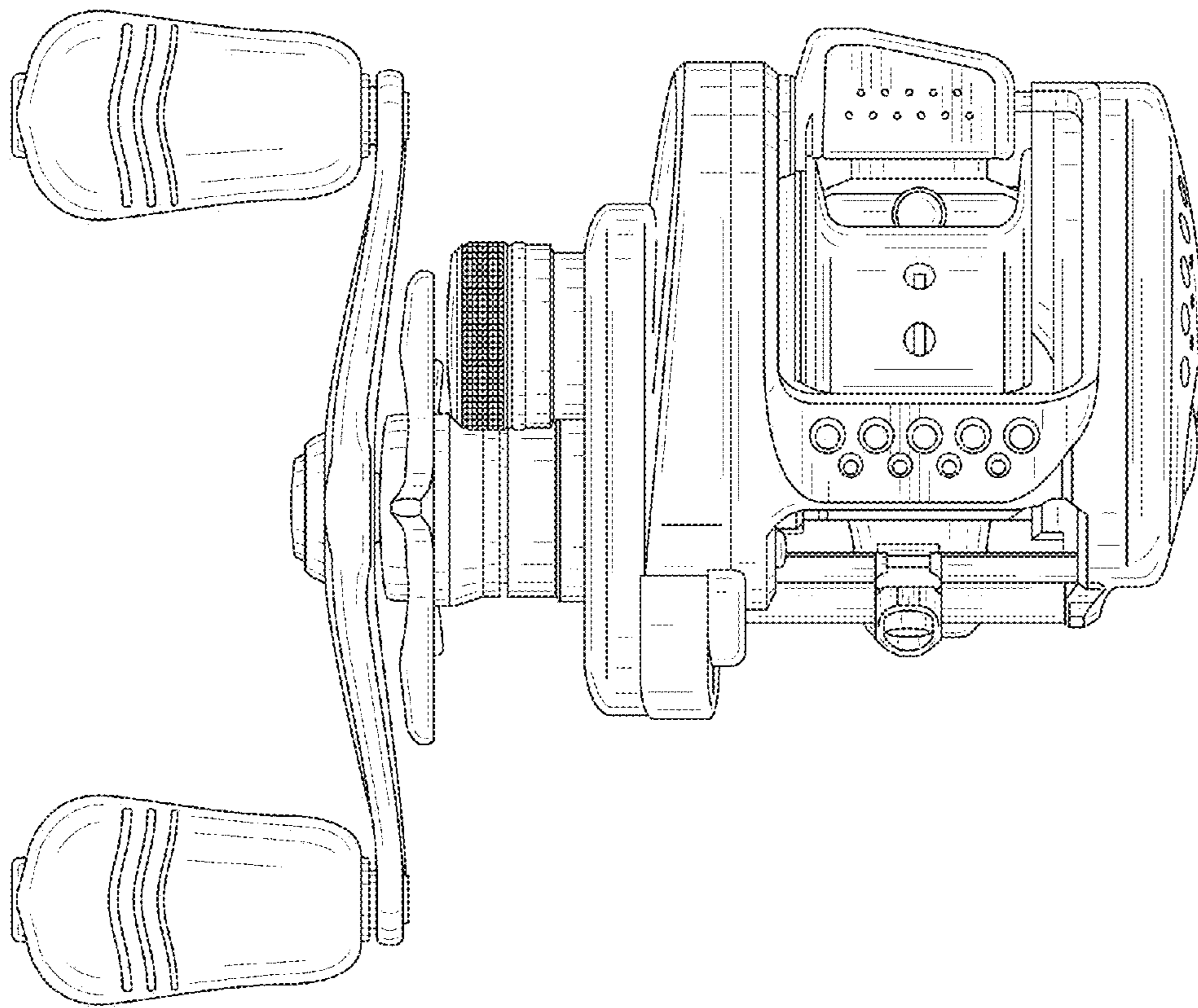


FIG. 5

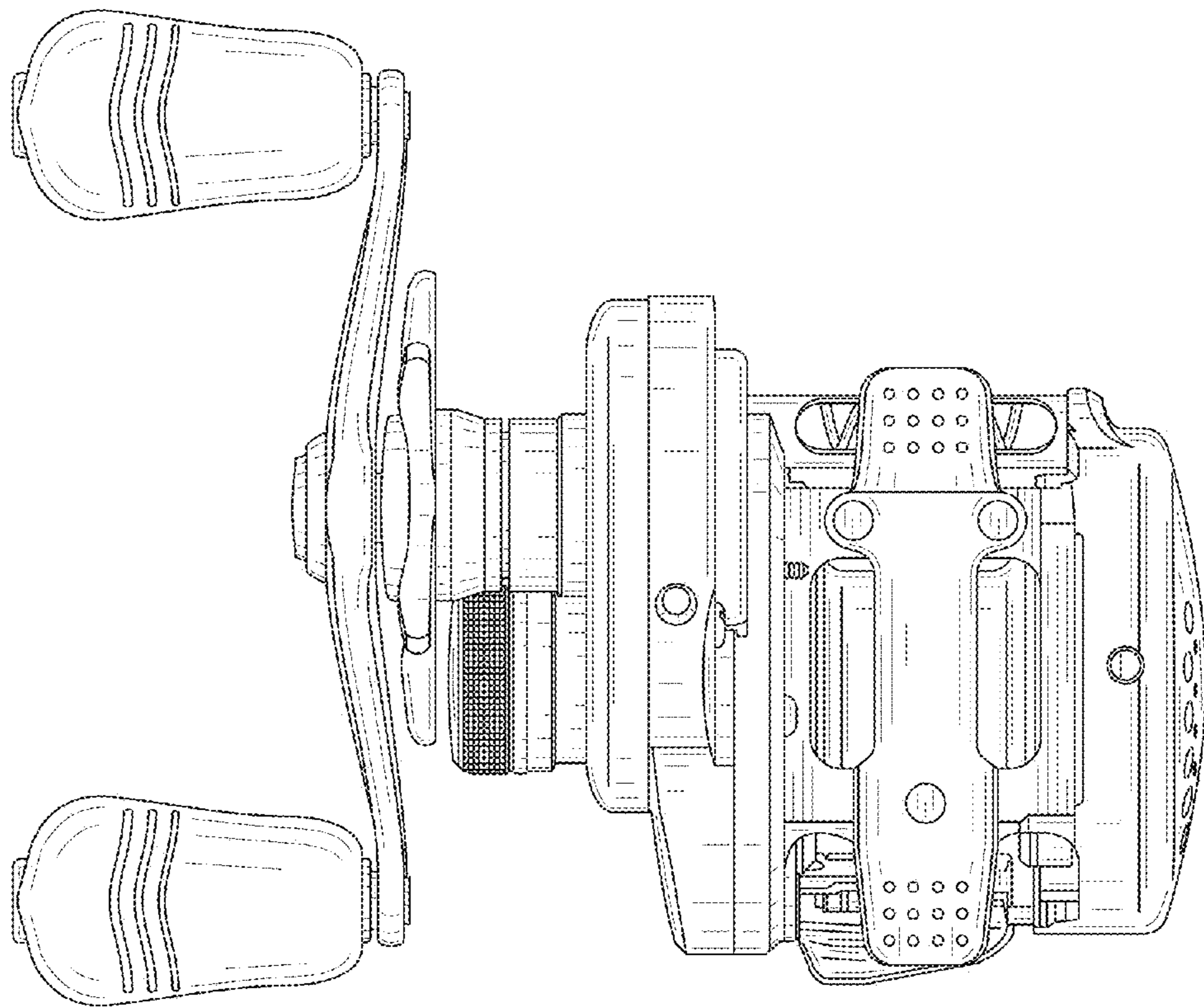


FIG. 6

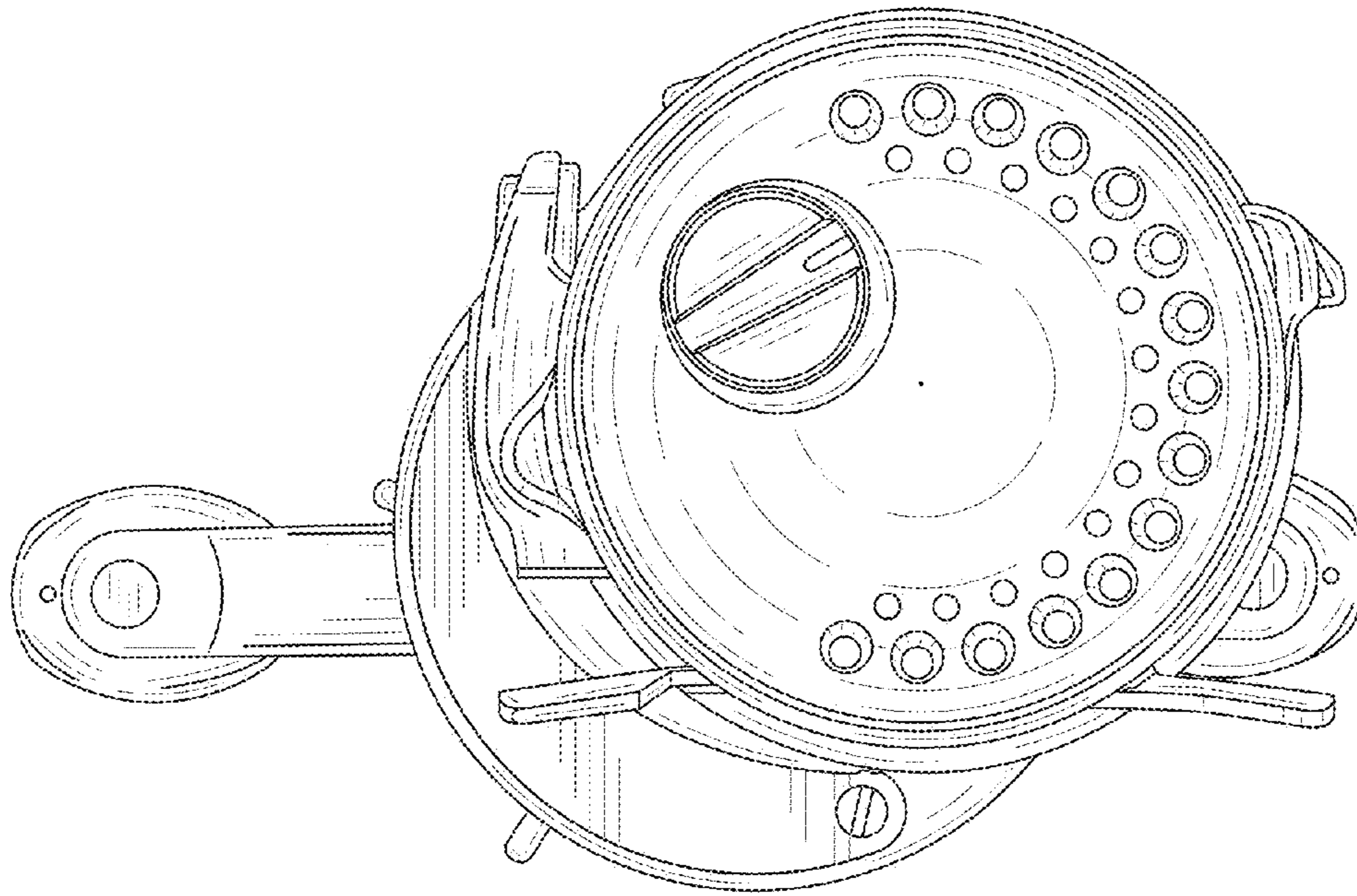


FIG. 7

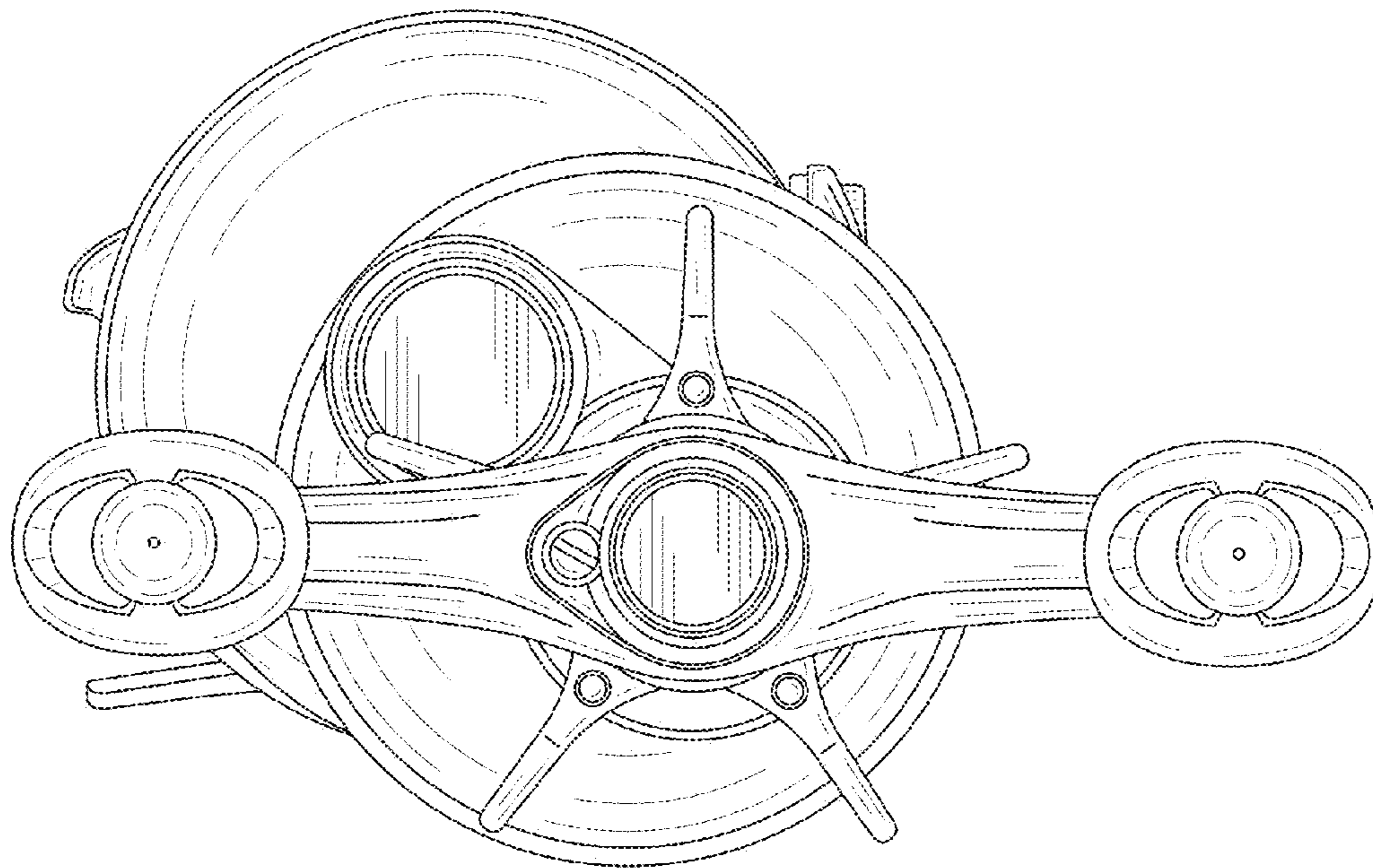


FIG. 8

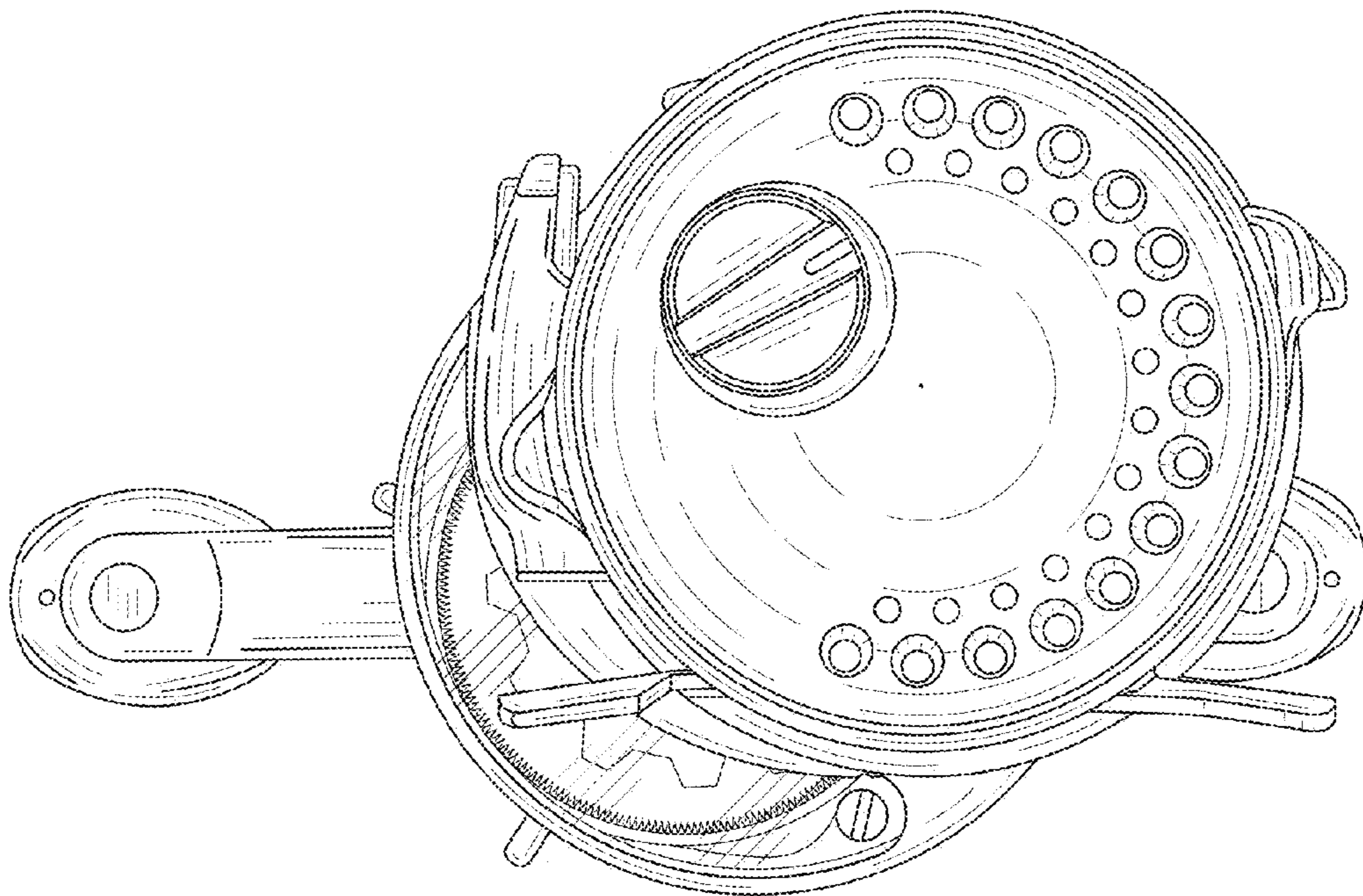


FIG. 9