



US00D724173S

(12) **United States Design Patent**  
**Asaba**

(10) **Patent No.:** **US D724,173 S**  
(45) **Date of Patent:** **\*\* Mar. 10, 2015**

(54) **FISHING REEL PORTION**

*Primary Examiner* — Catheri Oliver-Garcia

(71) Applicant: **Shimano Inc.**, Sakai, Osaka (JP)

(74) *Attorney, Agent, or Firm* — Global IP Counselors

(72) Inventor: **Mariko Asaba**, Osaka (JP)

(57) **CLAIM**

The ornamental design for fishing reel portion, as shown and described.

(73) Assignee: **Shimano Inc.**, Osaka (JP)

(\*\*) Term: **14 Years**

**DESCRIPTION**

(21) Appl. No.: **29/485,459**

FIG. 1 is a first perspective view of a fishing reel portion in accordance with my new design;

(22) Filed: **Mar. 19, 2014**

FIG. 2 is a second perspective view of the fishing reel portion illustrated in FIG. 1;

(30) **Foreign Application Priority Data**

Sep. 27, 2013 (JP) ..... 2013-022604

FIG. 3 is a first end elevational view of the fishing reel portion illustrated in FIG. 1;

(51) **LOC (10) Cl.** ..... **22-05**

FIG. 4 is a second end elevational view of the fishing reel portion illustrated in FIG. 1;

(52) **U.S. Cl.**  
USPC ..... **D22/140**

FIG. 5 is a top plan view of the fishing reel portion illustrated in FIG. 1;

(58) **Field of Classification Search**  
USPC ..... D22/137–141; 242/223–224, 234, 310,  
242/314–315, 318, 322–323, 370  
See application file for complete search history.

FIG. 6 is a bottom plan view of the fishing reel portion illustrated in FIG. 1;

(56) **References Cited**

**U.S. PATENT DOCUMENTS**

6,032,894 A \* 3/2000 Chapman et al. .... 242/310  
D504,491 S \* 4/2005 Iwabuchi ..... D22/140  
D595,806 S 7/2009 Nago  
D674,868 S 1/2013 Deguchi et al.  
D674,869 S \* 1/2013 Deguchi ..... D22/140  
D684,238 S \* 6/2013 McCune ..... D22/140  
D709,985 S \* 7/2014 Deguchi ..... D22/140

FIG. 7 is a first side elevational view of the fishing reel portion illustrated in FIG. 1;

FIG. 8 is a second side elevational view of the fishing reel portion illustrated in FIG. 1; and,

FIG. 9 is a top plan view, similar to FIG. 5, of an alternate fishing reel portion, which is identical to the fishing reel portion illustrated in FIGS. 1 to 8, except that a boundary of the alternate fishing reel portion is shown in broken lines.

In the alternate fishing reel portion illustrated in FIG. 9, the boundary does not form part of the claimed design. In other words, with respect to the alternate design of the fishing reel portion illustrated in FIG. 9, it should be understood that the claimed design extends to the boundary but does not include the boundary shown in broken lines.

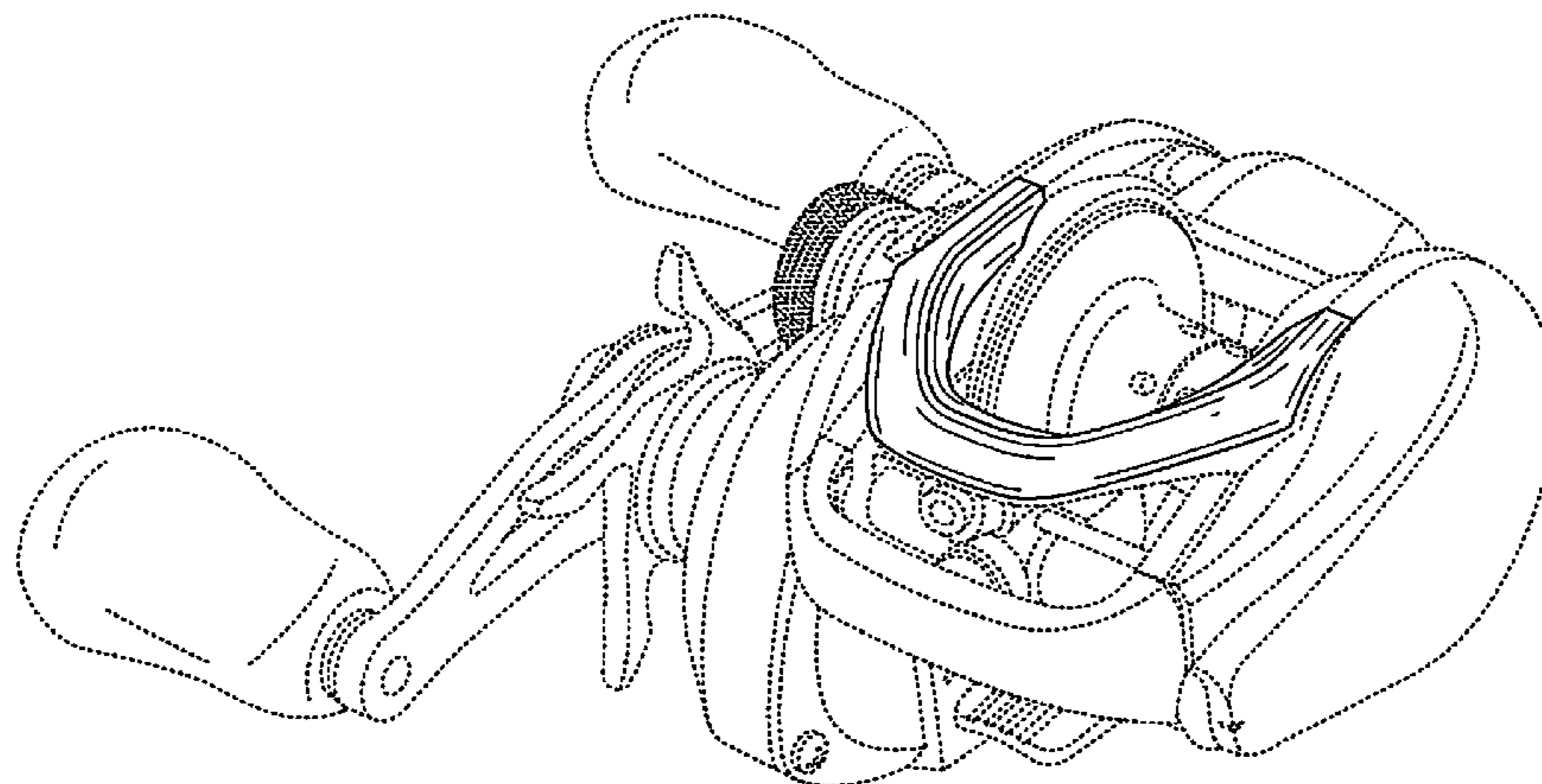
The broken line illustration of the environmental structure of a fishing reel in the drawings that is used with the claimed fishing reel portion is not part of the claimed design.

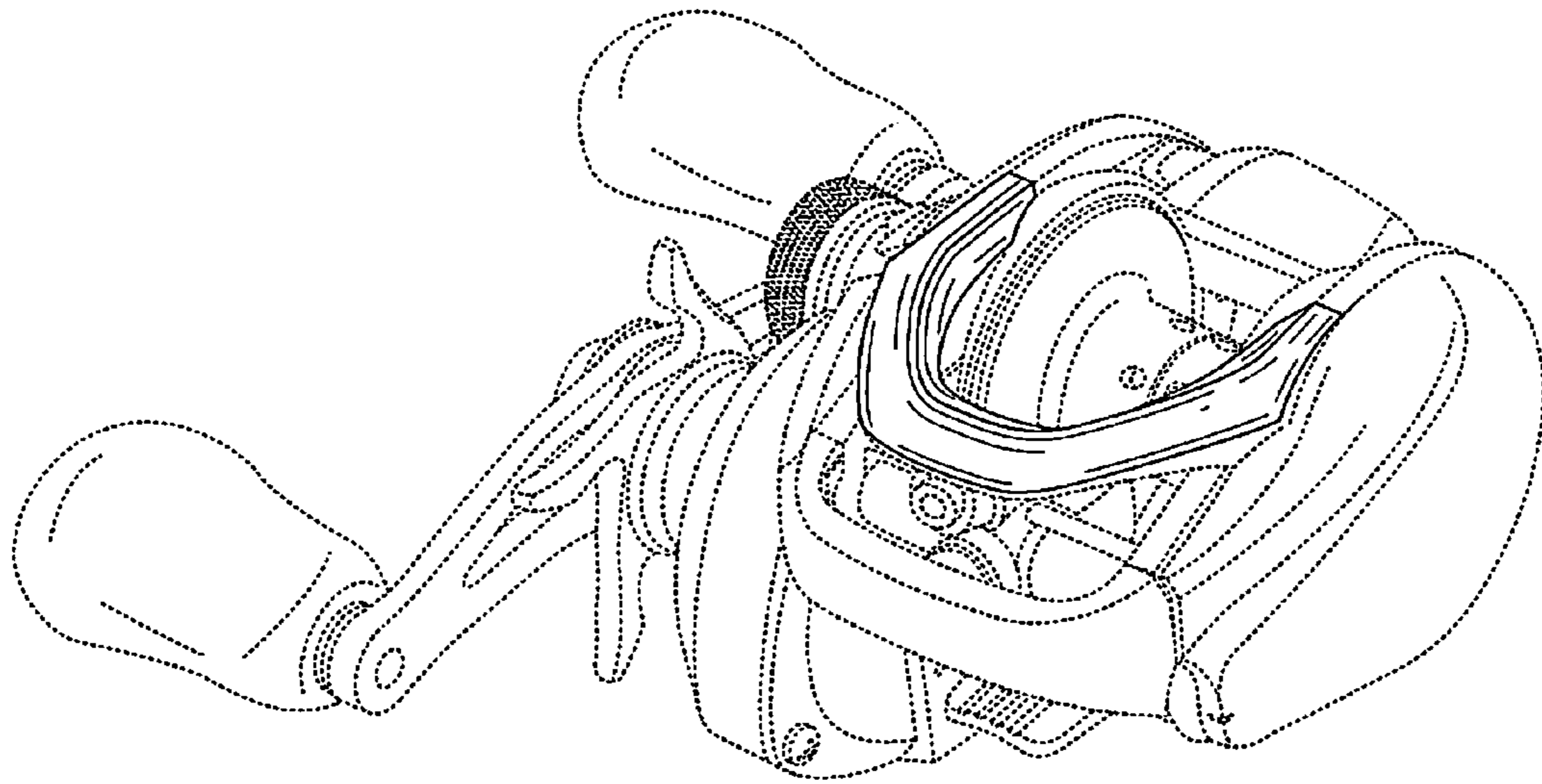
**FOREIGN PATENT DOCUMENTS**

JP 1378217 S 1/2010  
JP 1465459 S 8/2013  
JP 1476567 S 8/2013

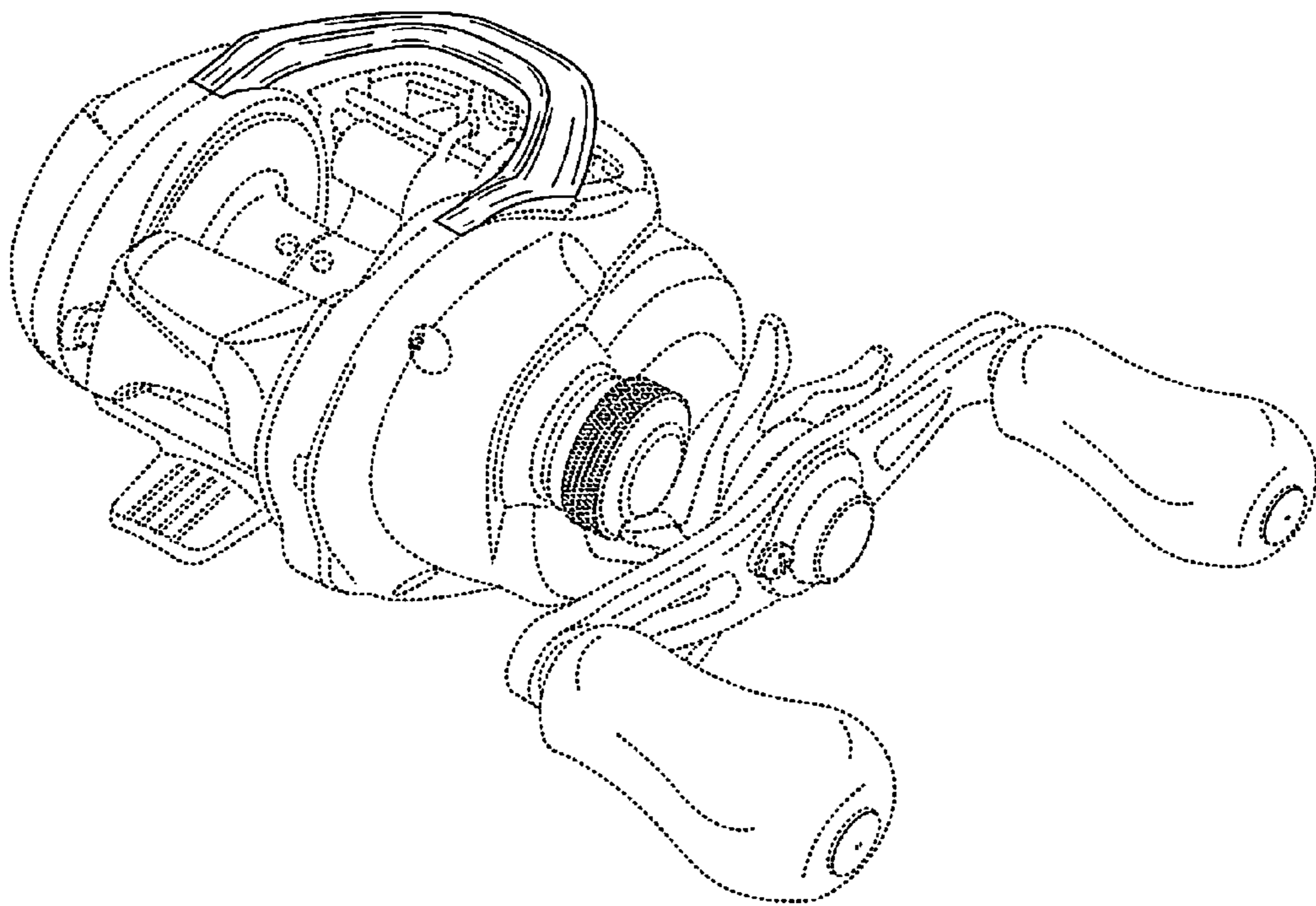
\* cited by examiner

**1 Claim, 6 Drawing Sheets**

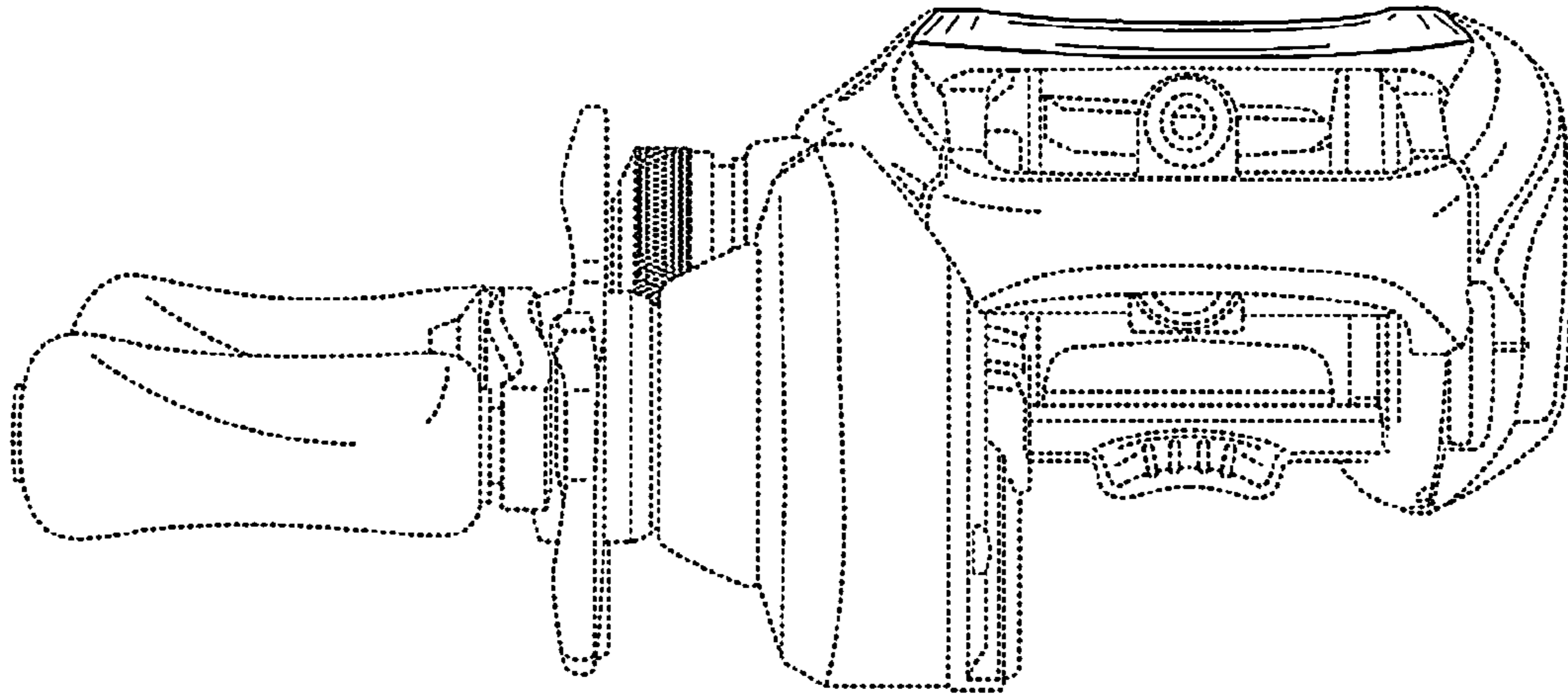




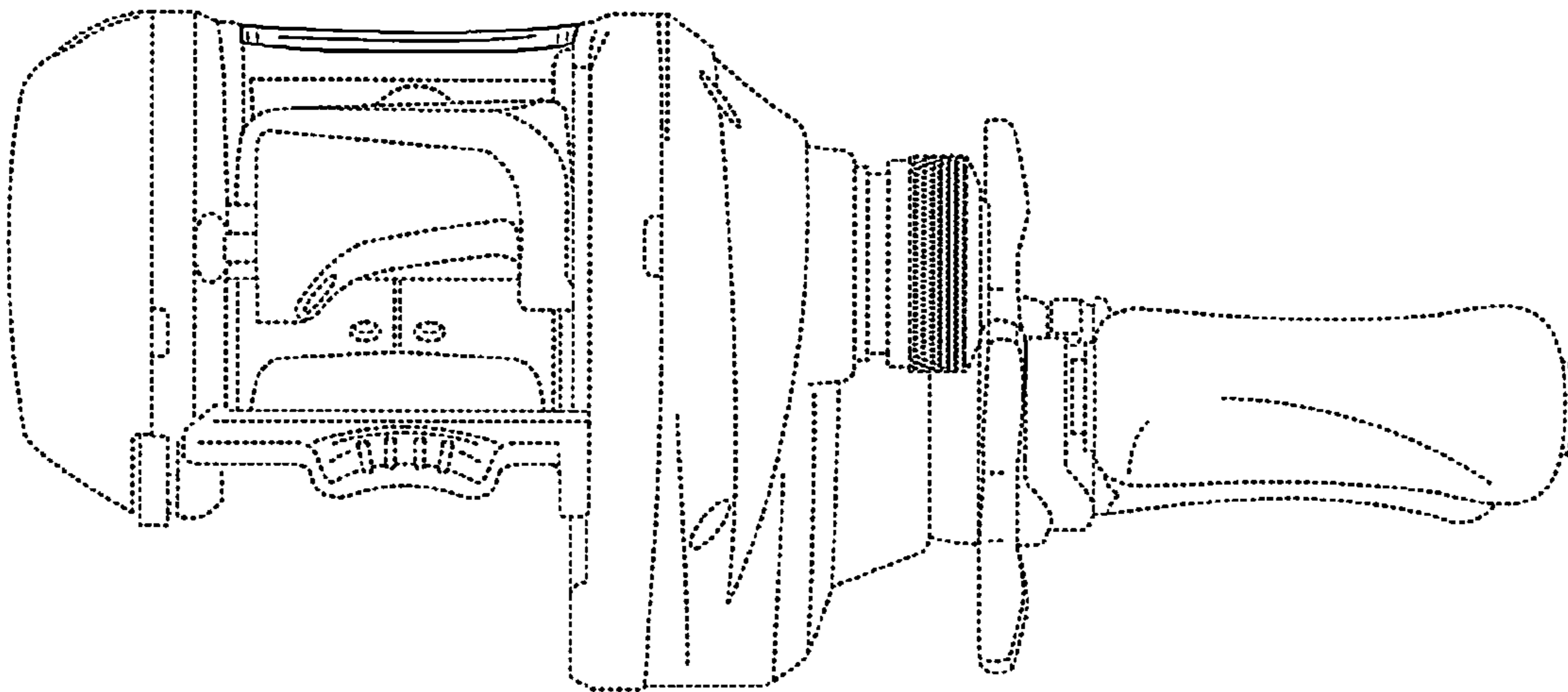
**FIG. 1**



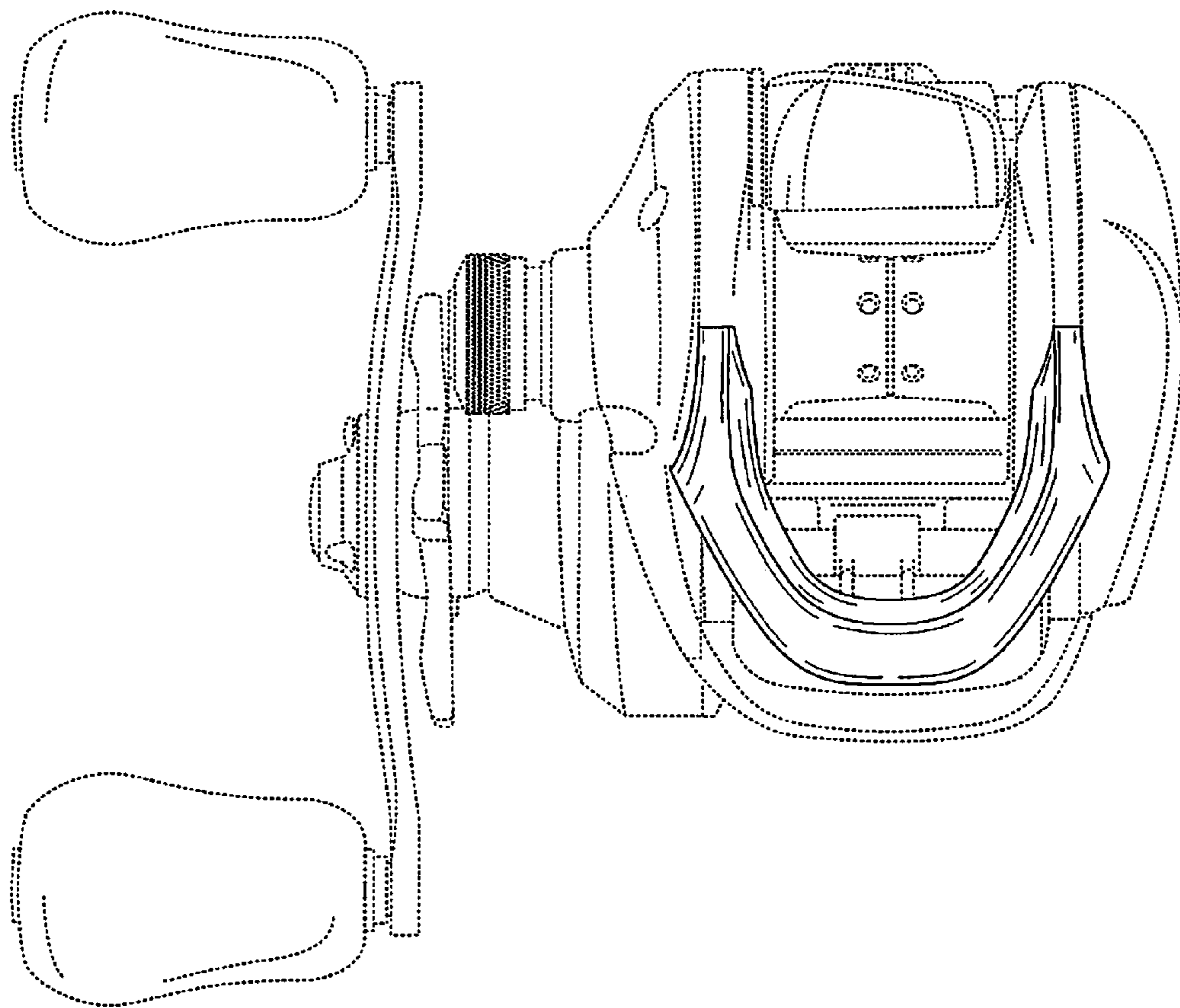
**FIG. 2**



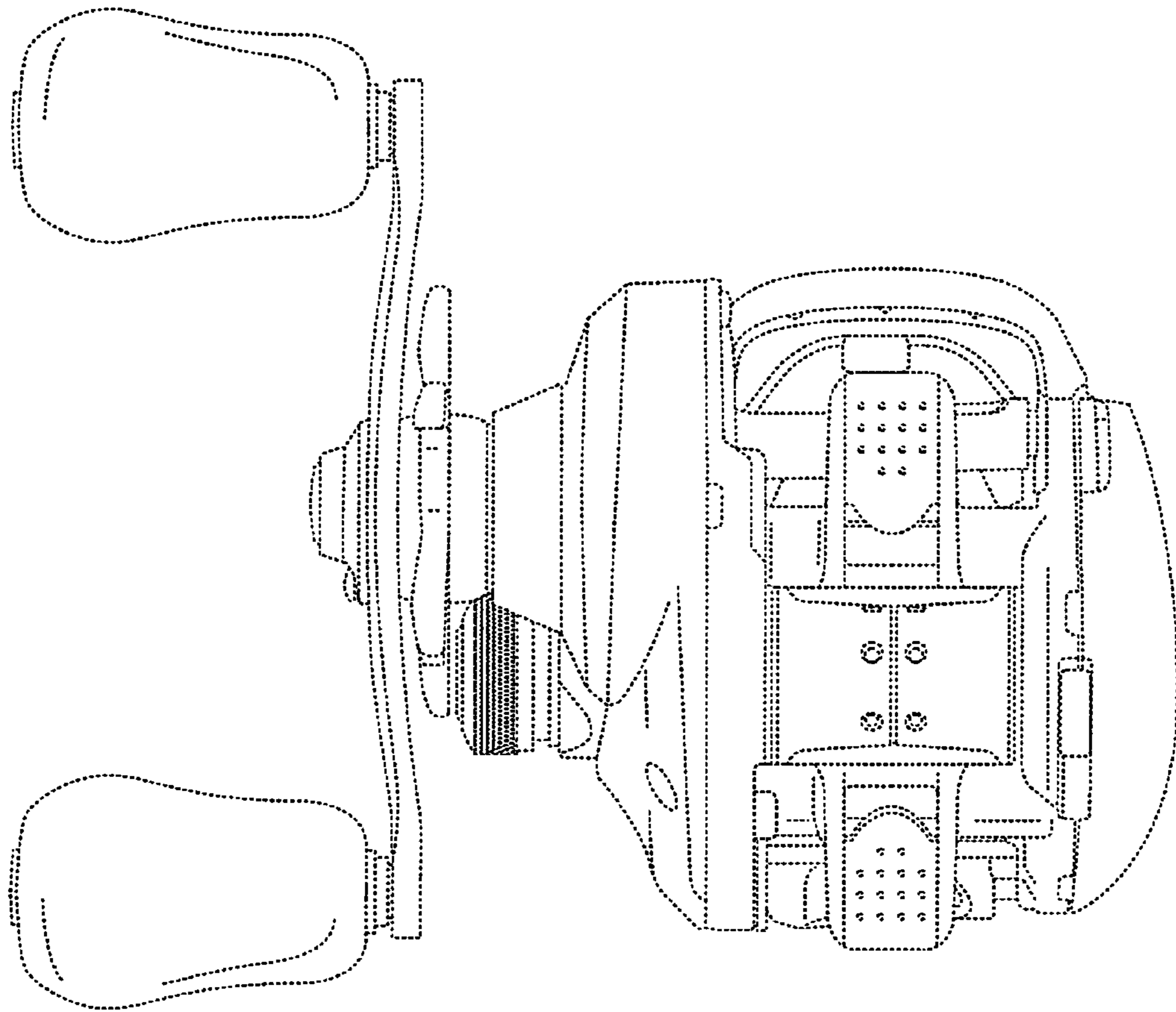
**FIG. 3**



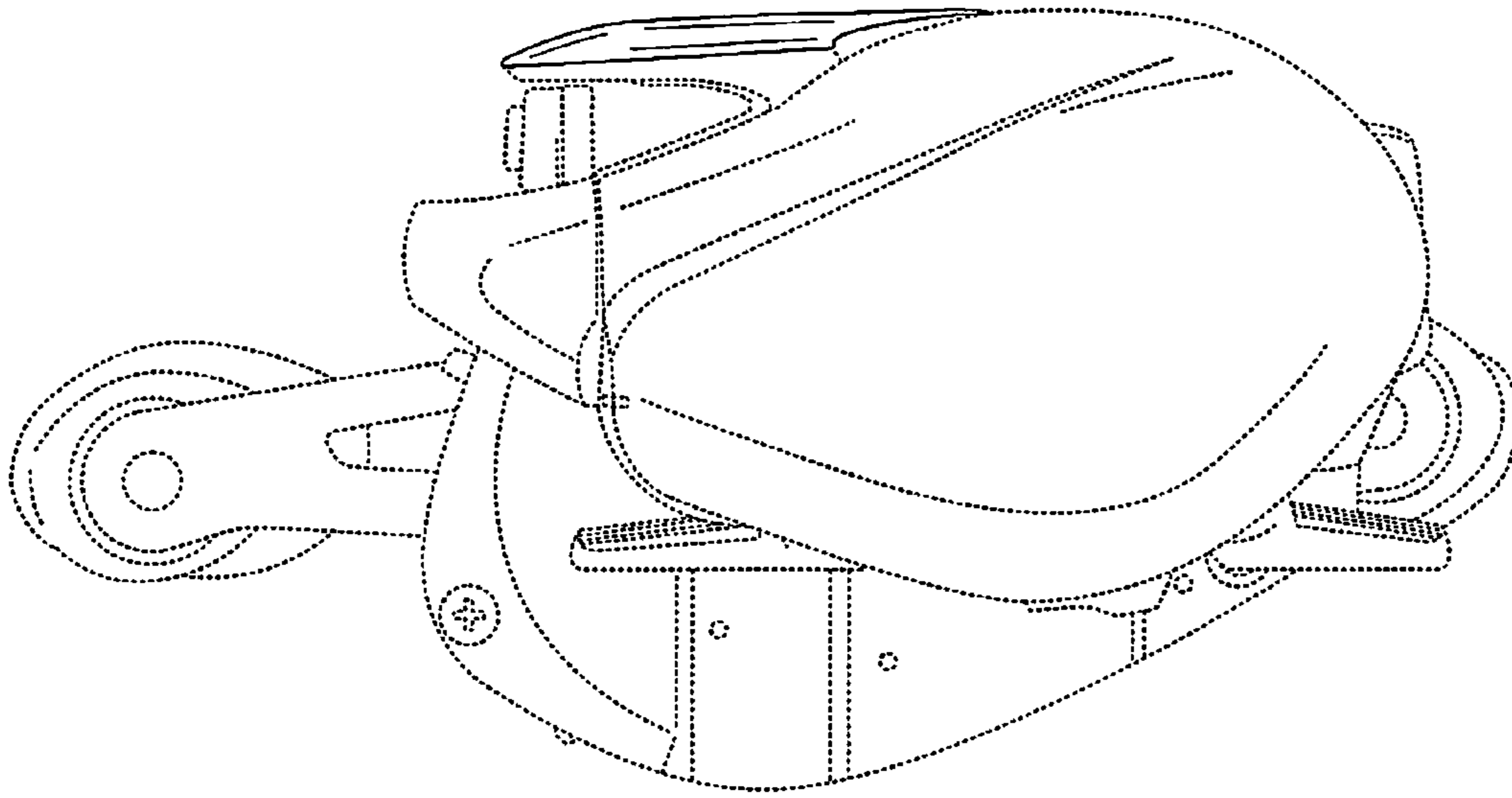
**FIG. 4**



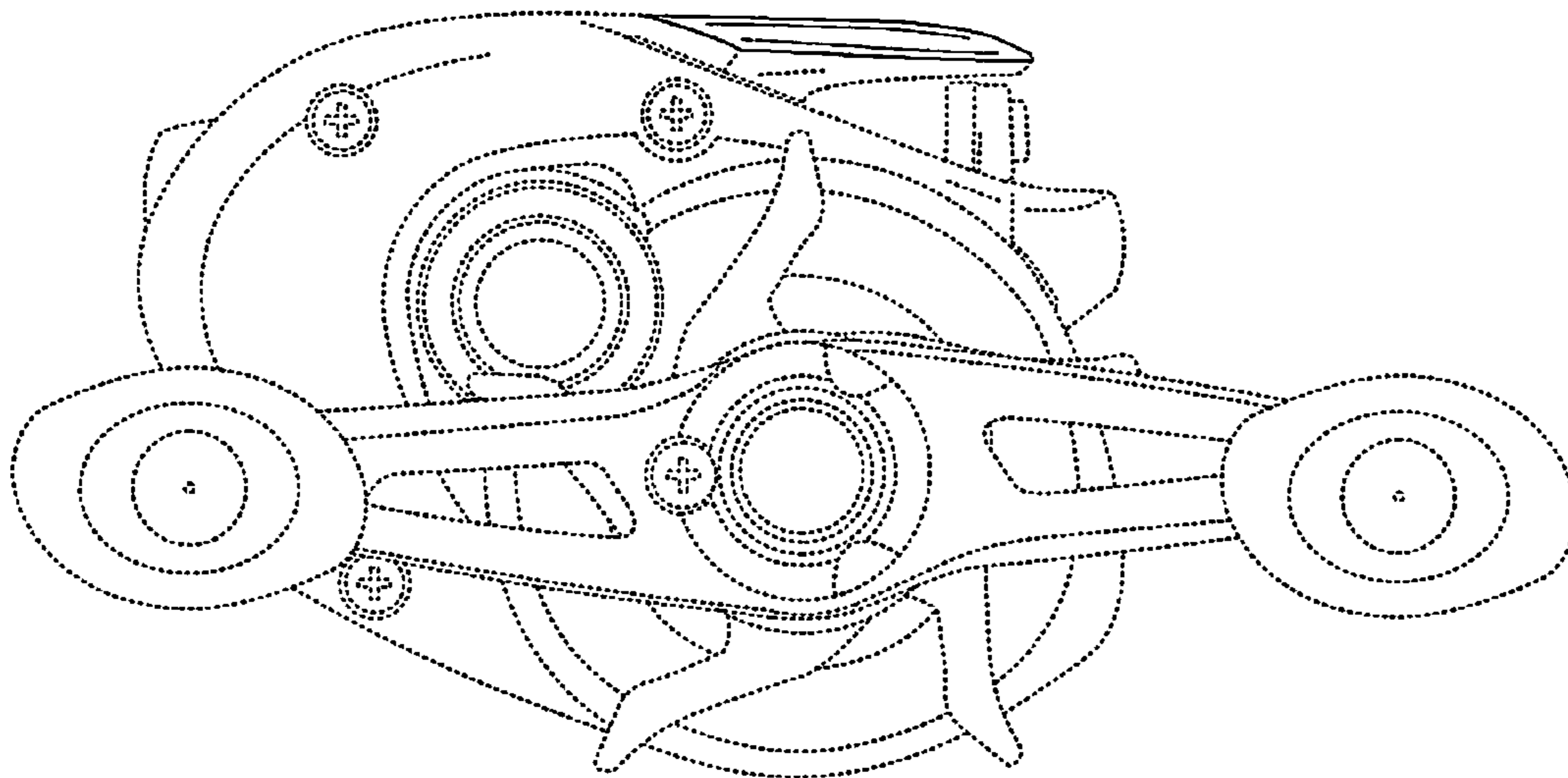
**FIG. 5**



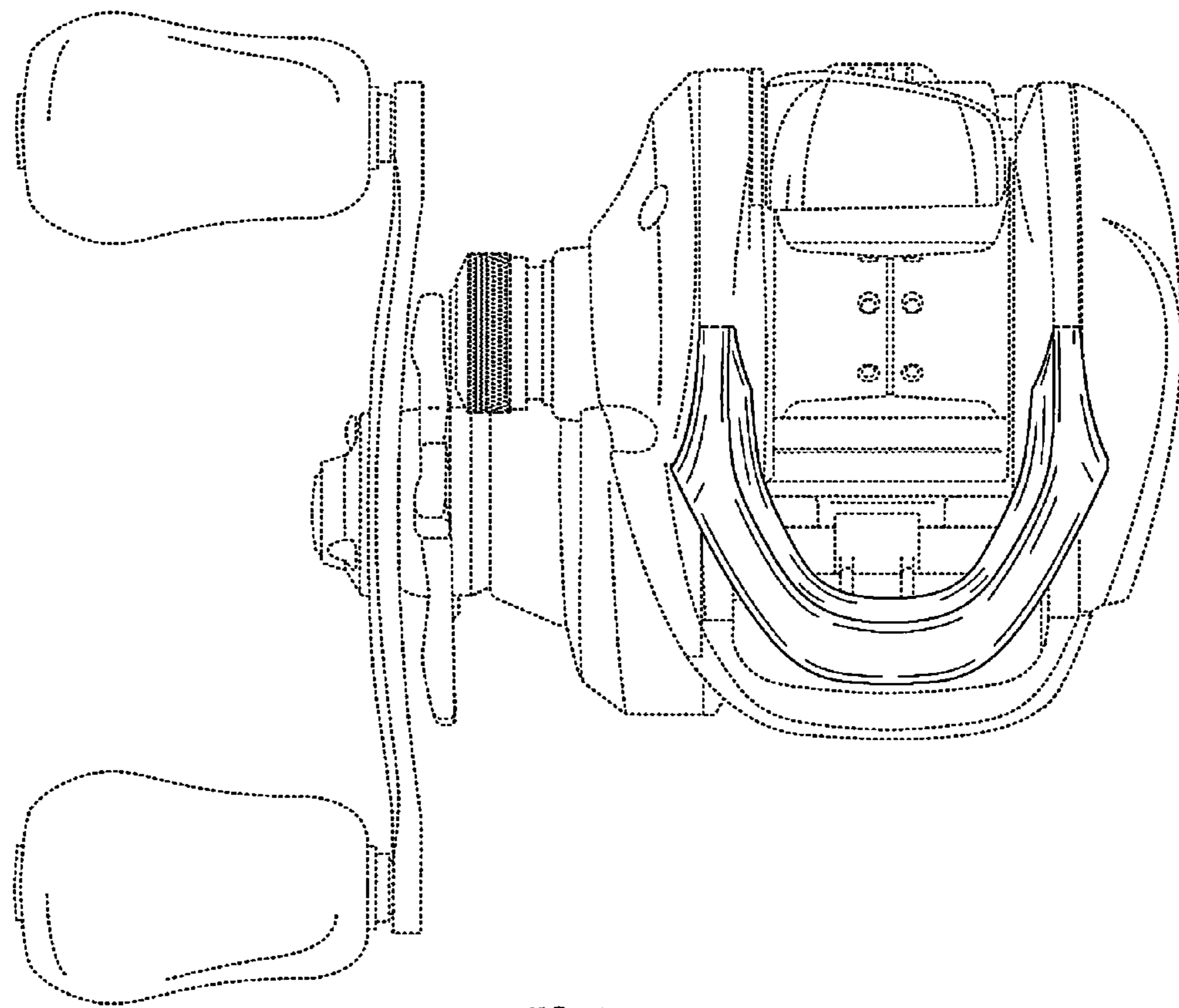
**FIG. 6**



**FIG. 7**



**FIG. 8**



**FIG. 9**