



US00D724171S

(12) **United States Design Patent**
Trusty

(10) **Patent No.:** **US D724,171 S**

(45) **Date of Patent:** **** Mar. 10, 2015**

(54) **MODULAR FREE FLOAT TUBE FOR A FIREARM**

2014/0026459 A1* 1/2014 Yan et al. 42/71.01
2014/0082990 A1* 3/2014 Lee 42/96

* cited by examiner

(71) Applicant: **Jason G. Trusty**, Portage, IN (US)

Primary Examiner — Michael A Pratt

(72) Inventor: **Jason G. Trusty**, Portage, IN (US)

(74) *Attorney, Agent, or Firm* — David L. Wisz

(73) Assignee: **Jason G. Trusty**, Portage, IN (US)

(57) **CLAIM**

(**) Term: **14 Years**

I claim the ornamental design for the modular free float tube for a firearm, as shown and described.

(21) Appl. No.: **29/471,535**

DESCRIPTION

(22) Filed: **Nov. 1, 2013**

FIG. 1 is a perspective view of a modular free float tube for a firearm;

(51) **LOC (10) Cl.** **22-01**

FIG. 2 is a first perspective view of a modular free float tube for a firearm;

(52) **U.S. Cl.**
USPC **D22/108**

FIG. 3 is right side view of a modular free float tube for a firearm;

(58) **Field of Classification Search**
CPC F41C 23/10; F41C 23/14; F41C 23/16;
F41C 23/18

FIG. 4 is a left side view of a modular free float tube for a firearm;

USPC D22/108; 42/90, 94, 114, 117,
42/124–127, 131, 146; 362/109–114

FIG. 5 is a top view of a modular free float tube for a firearm;

See application file for complete search history.

FIG. 6 is a bottom view of a modular free float tube for a firearm;

(56) **References Cited**

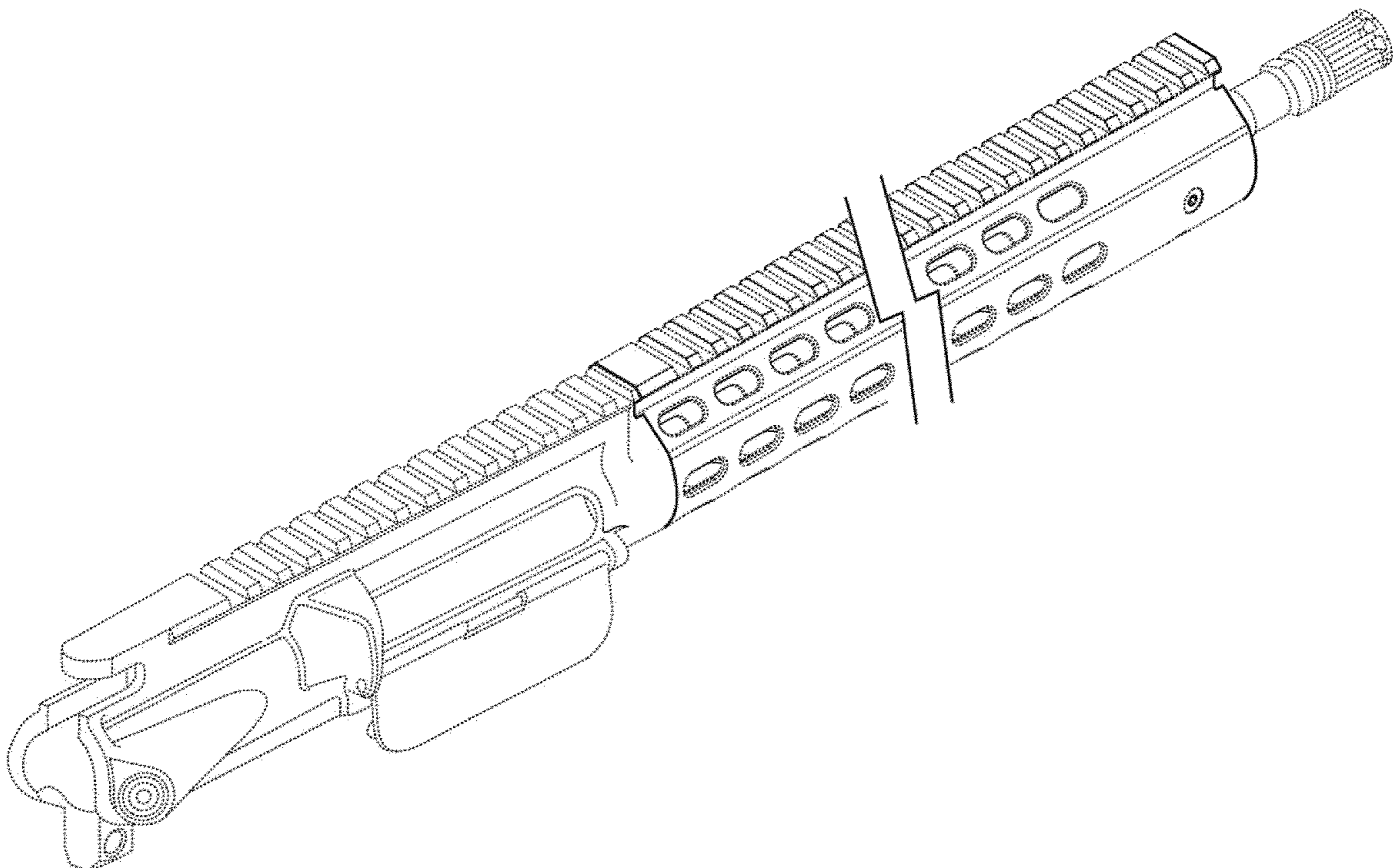
U.S. PATENT DOCUMENTS

8,607,490 B1* 12/2013 Zinsner 42/71.01
D715,885 S * 10/2014 Silvers et al. D22/108
8,863,426 B1* 10/2014 Zinsner 42/71.01
2012/0042557 A1* 2/2012 Gomez et al. 42/90

FIG. 7 is a front view of a modular free float tube for a firearm; and,

FIG. 8 is a rear view of a modular free float tube for a firearm. The break lines in the drawing views 1 through 6 indicate that a specific length of the claimed design does not form a part of the claimed design.

1 Claim, 4 Drawing Sheets



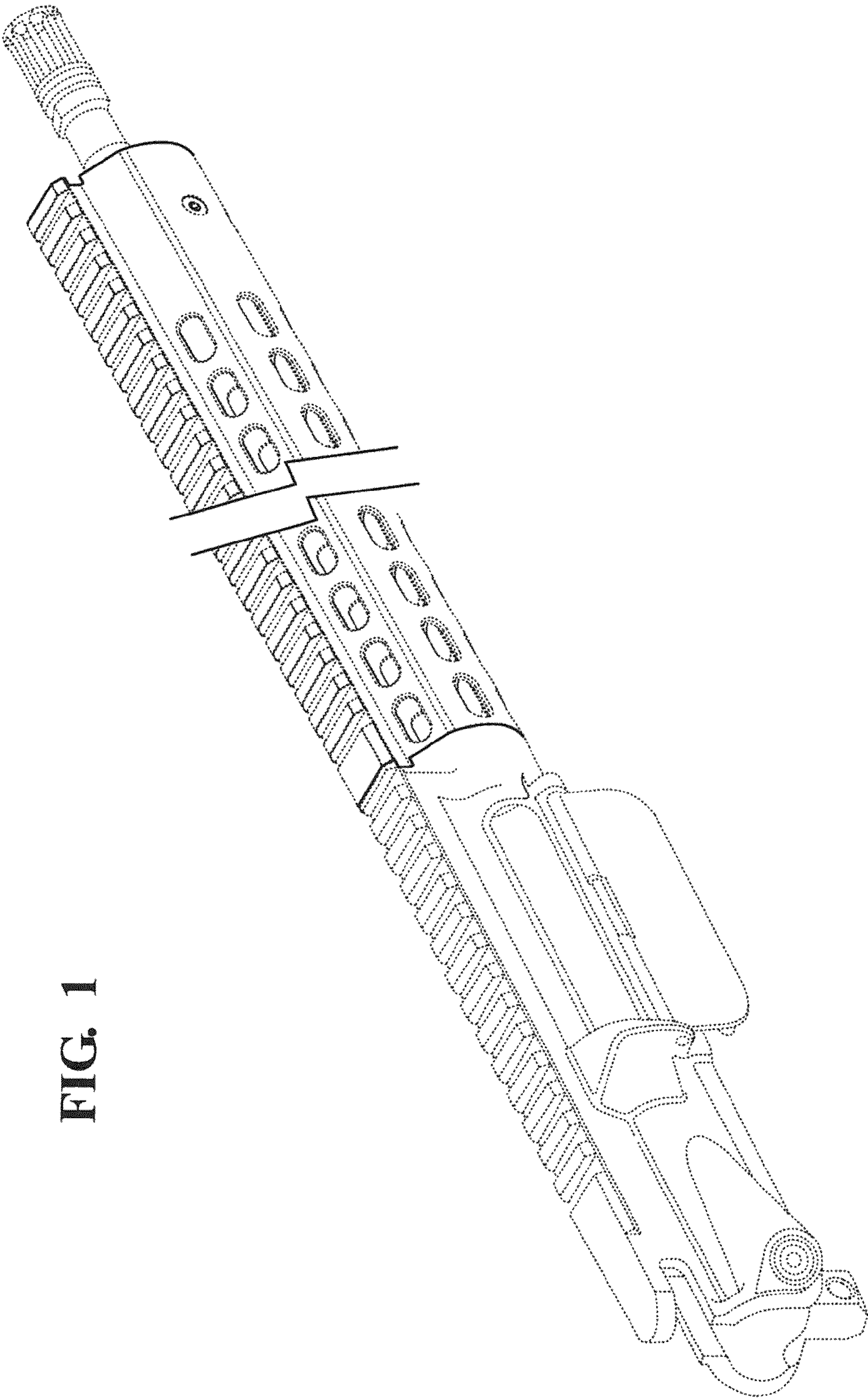


FIG. 1

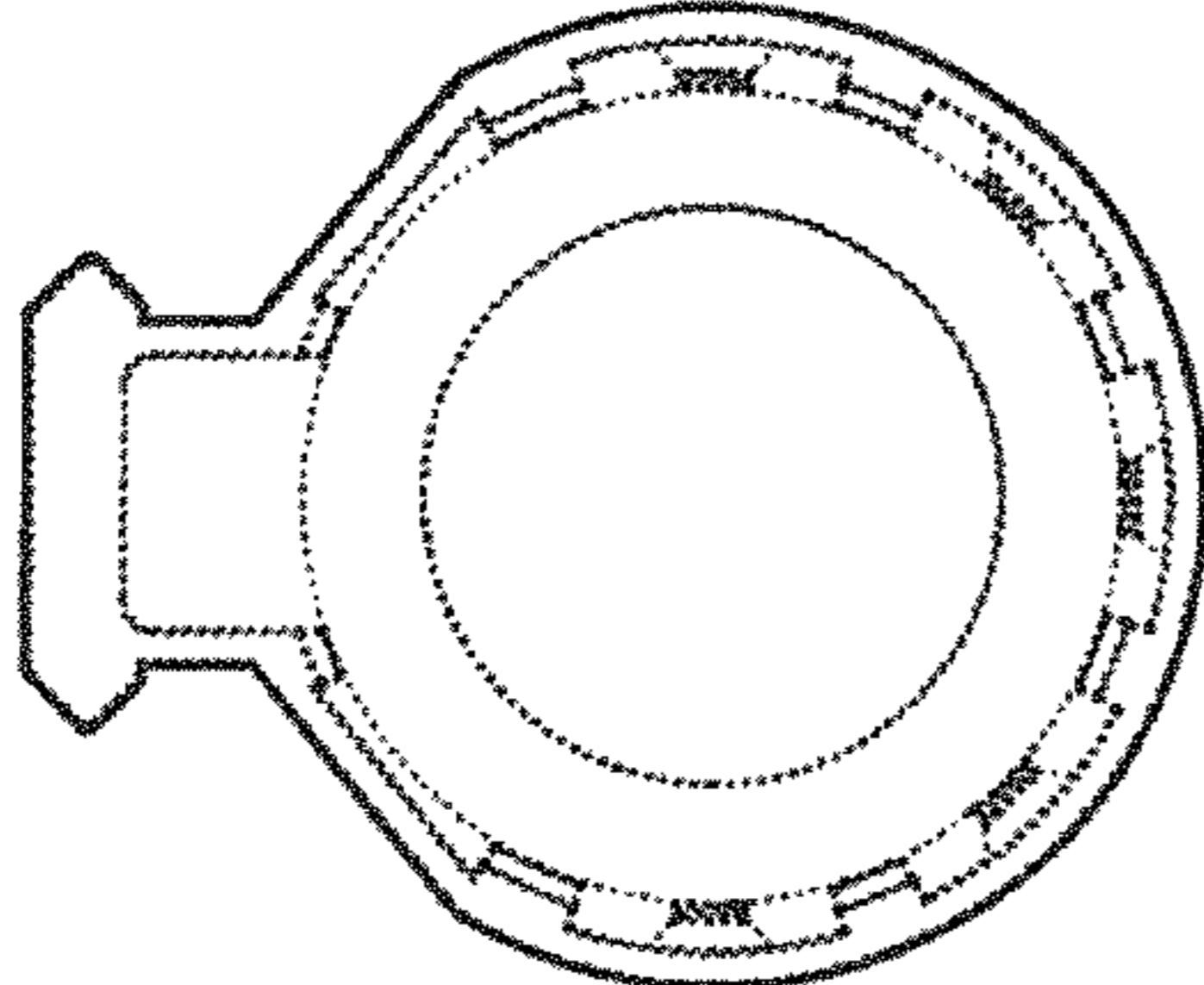


FIG. 8

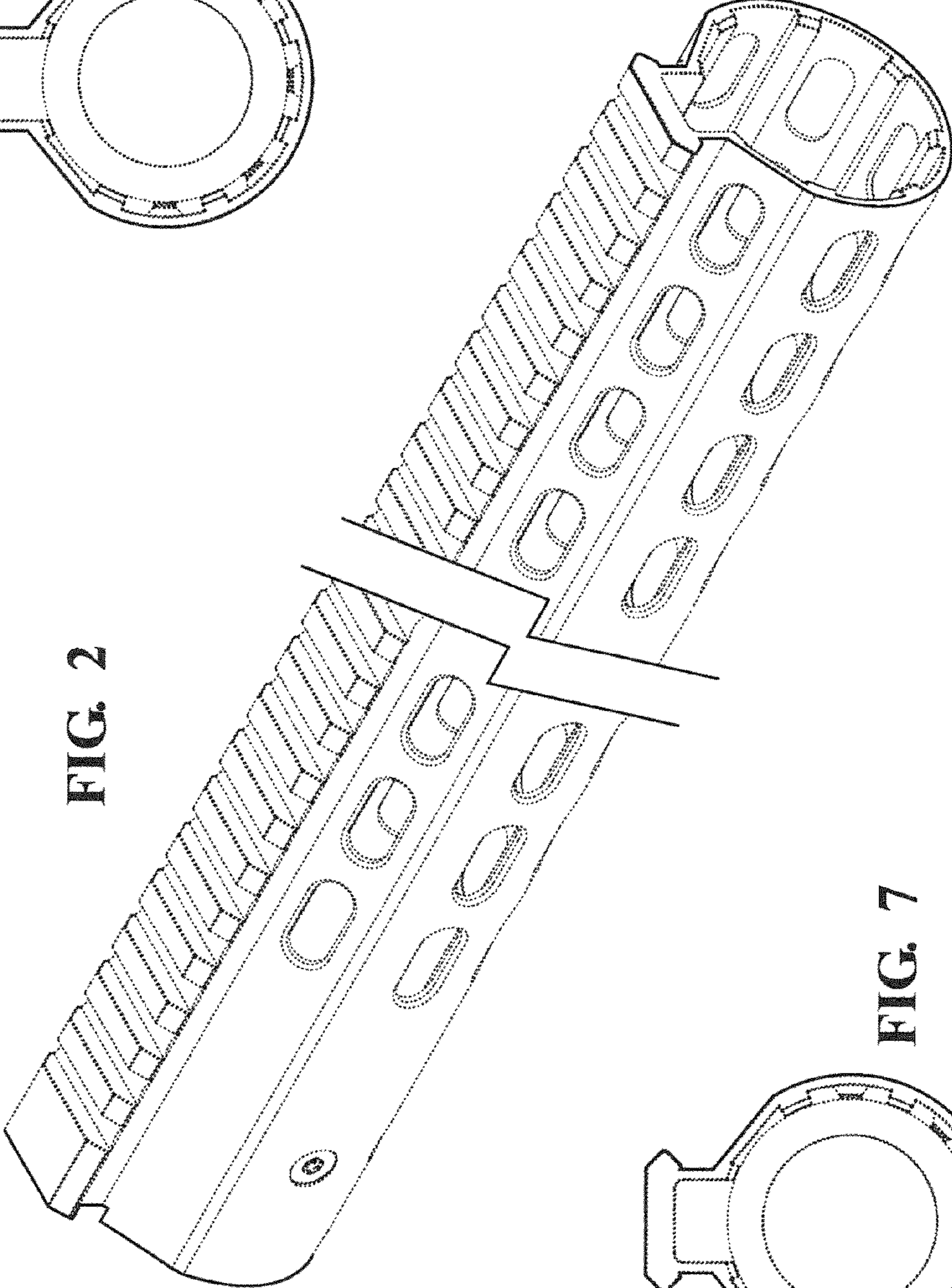


FIG. 2

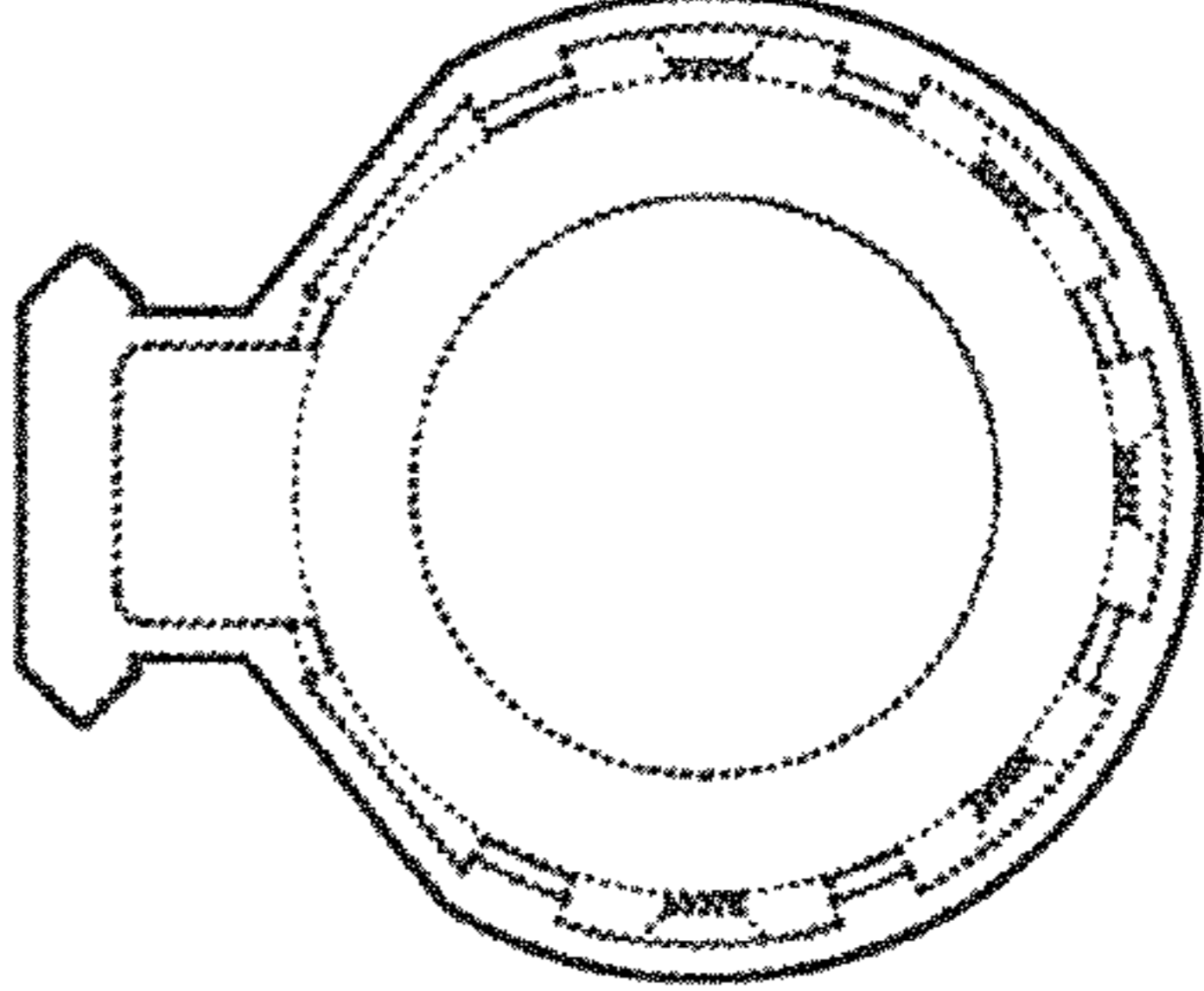


FIG. 7

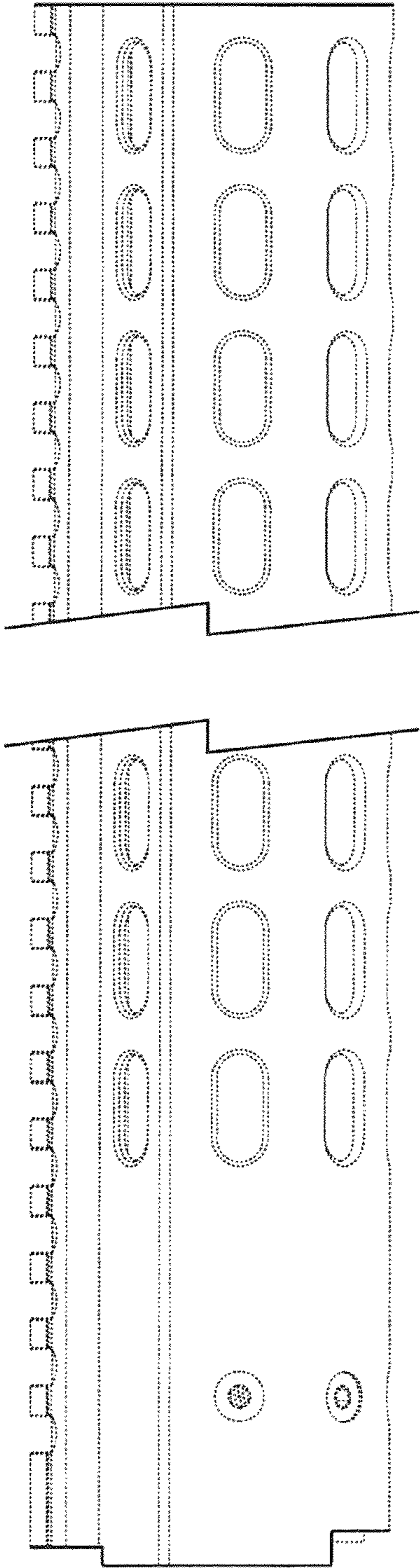


FIG. 3

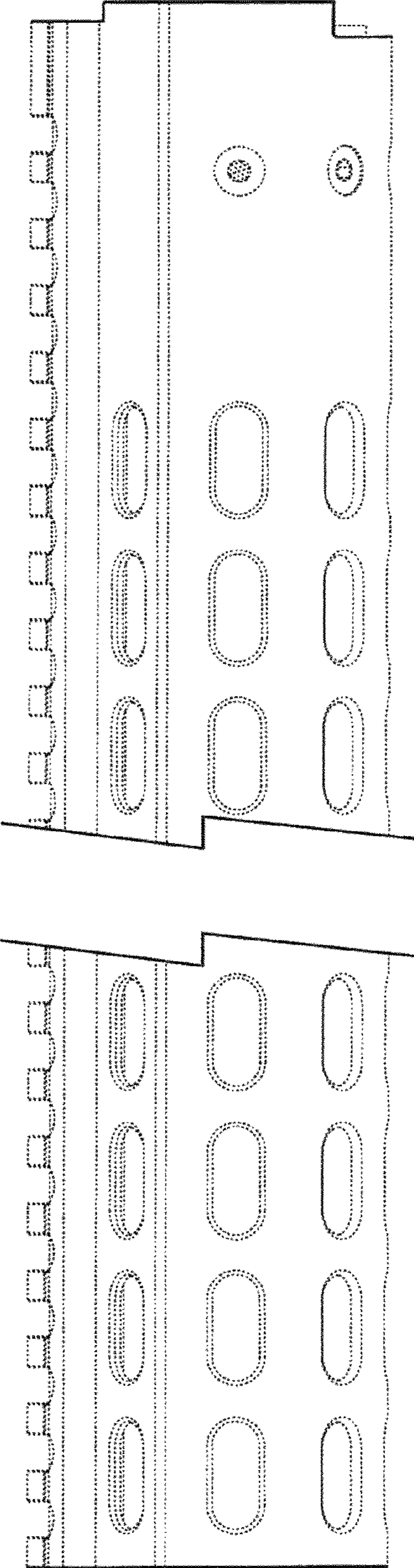


FIG. 4

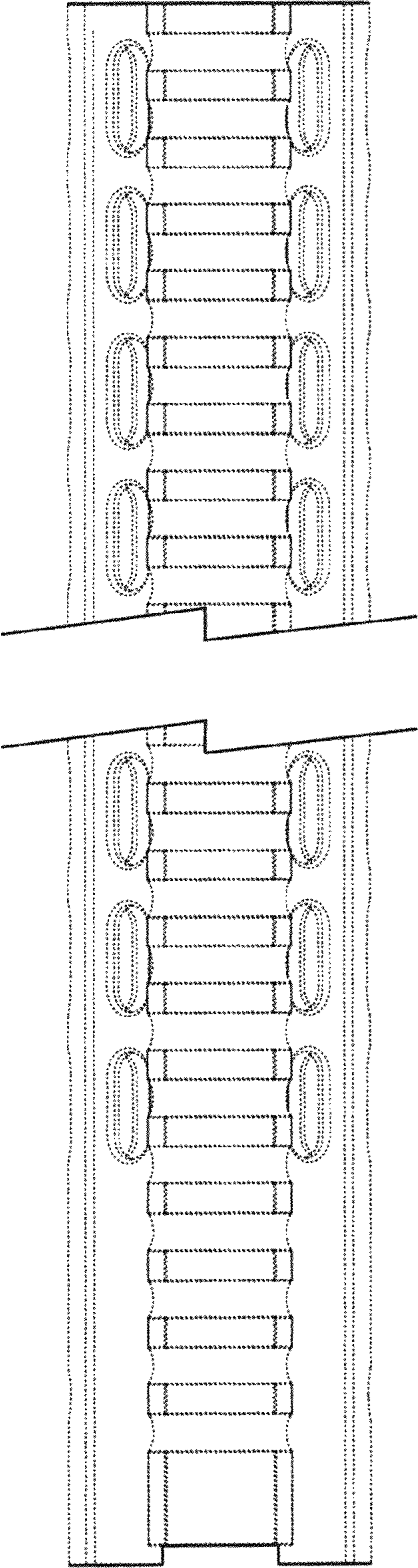


FIG. 5

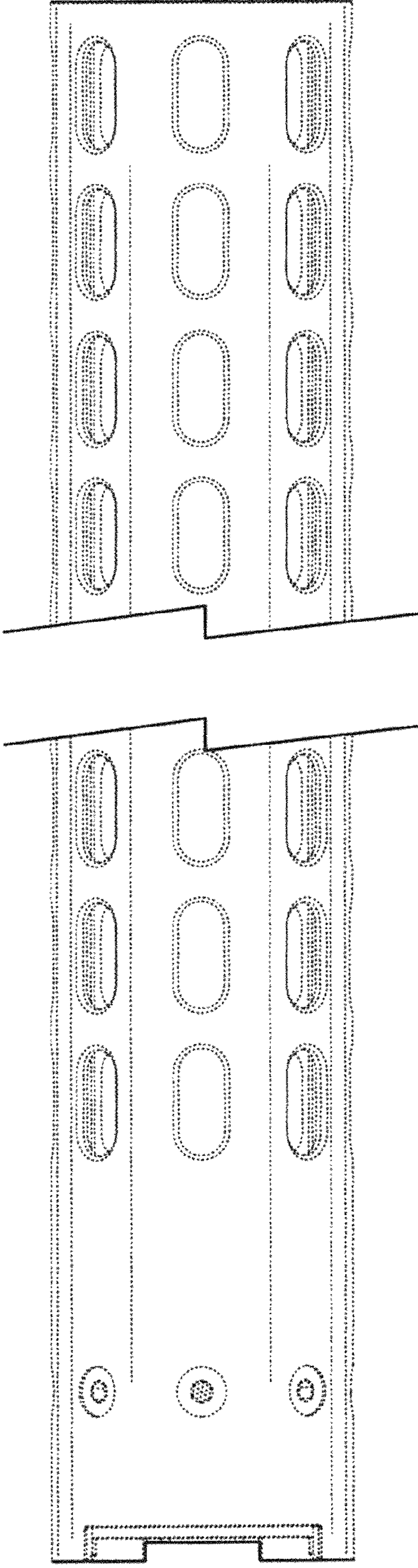


FIG. 6