



US00D724170S

(12) **United States Design Patent**
Huang

(10) **Patent No.:** **US D724,170 S**
(45) **Date of Patent:** **** Mar. 10, 2015**

(54) **TWO-PIECE RIFLE HANDGUARD WITH 6 RAIL BASES**

(71) Applicant: **Qiming Huang**, Windsor (CA)

(72) Inventor: **Qiming Huang**, Windsor (CA)

(**) Term: **14 Years**

(21) Appl. No.: **29/461,825**

(22) Filed: **Jul. 28, 2013**

(51) **LOC (10) Cl.** **22-01**

(52) **U.S. Cl.**
USPC **D22/108**

(58) **Field of Classification Search**
CPC F41C 7/00; F41C 7/11; F41C 7/12;
F41C 23/10; F41C 23/14; F41C 23/16;
F41C 23/18
USPC D22/100, 101, 103, 104, 108, 199;
42/51, 71.01, 75.01, 75.02, 90, 94,
42/134, 136, 139, 125, 72, 111; 89/40.06,
89/41.19, 37.04, 33.04, 191.01, 200–204;
124/67, 66, 72, 74; D21/572–575;
248/205.1, 201

See application file for complete search history.

(56) **References Cited**

U.S. PATENT DOCUMENTS

6,895,708 B2 * 5/2005 Kim et al. 42/72

D613,811 S *	4/2010	Swan	D22/108
D639,376 S *	6/2011	Ding	D22/108
D641,450 S *	7/2011	Ding	D22/108
8,201,353 B1 *	6/2012	Swan	42/71.01
8,230,634 B1 *	7/2012	Davies et al.	42/75.02
8,276,303 B2 *	10/2012	Kapusta et al.	42/71.01
D692,516 S *	10/2013	Yan et al.	D22/108
D711,492 S *	8/2014	Yan et al.	D22/108
2011/0214327 A1 *	9/2011	Desomma	42/75.02
2012/0117845 A1 *	5/2012	Desomma	42/75.02
2012/0198990 A1 *	8/2012	Brittin	89/191.01
2013/0205636 A1 *	8/2013	Shull	42/72

* cited by examiner

Primary Examiner — Michael A Pratt

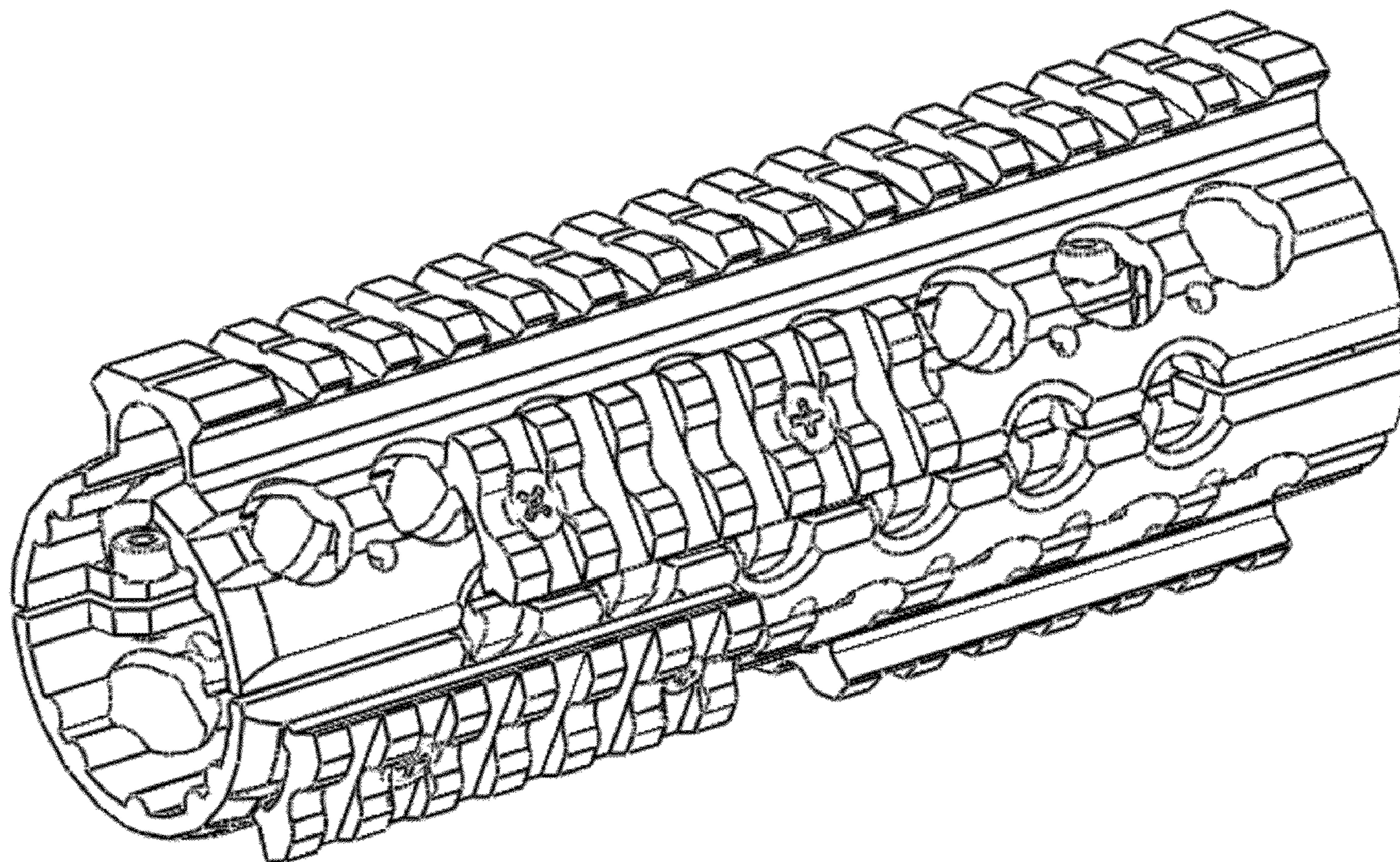
(57) **CLAIM**

The ornamental designs for a two-piece rifle handguard with 6 rail bases, as shown and described.

DESCRIPTION

FIG. 1 is an isometric perspective view of two-piece rifle handguard with 6 rail bases
FIG. 2 is a front view of FIG. 1
FIG. 3 is a rear view of FIG. 1
FIG. 4 is a left view of FIG. 1
FIG. 5 is a right view of FIG. 1
FIG. 6 is a top view of FIG. 1; and,
FIG. 7 is a bottom view of FIG. 1.

1 Claim, 7 Drawing Sheets



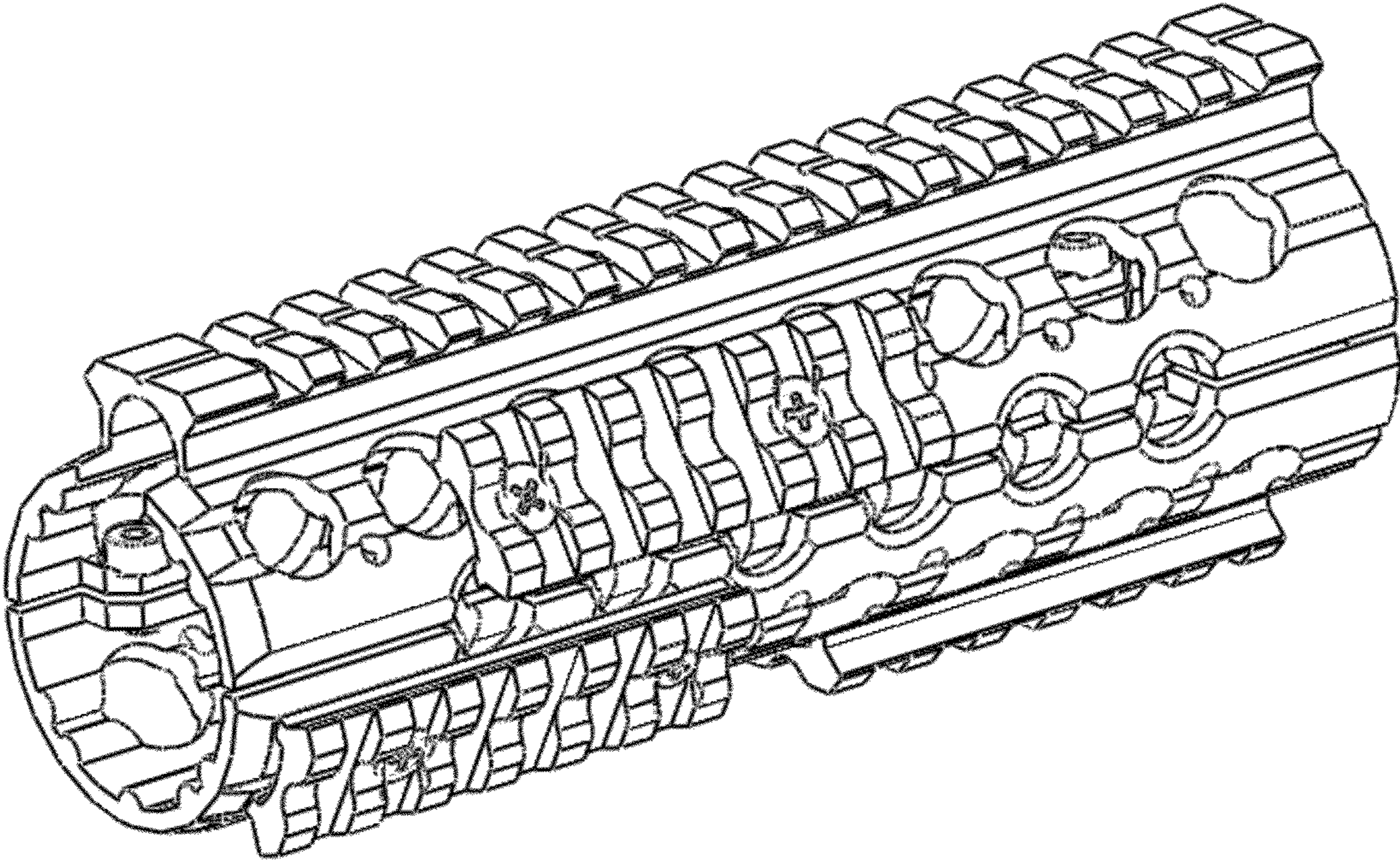


FIG. 1

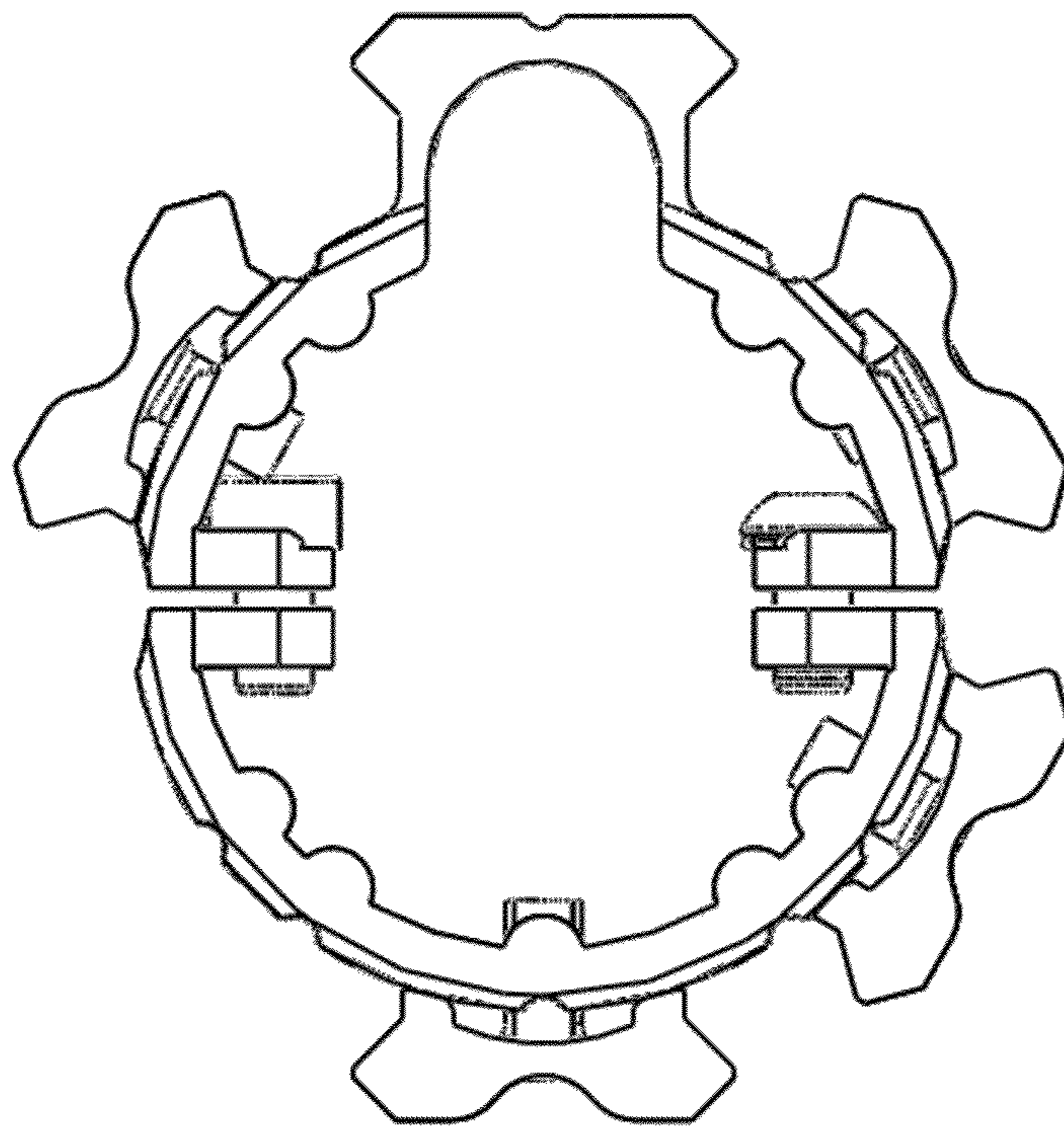


FIG. 2

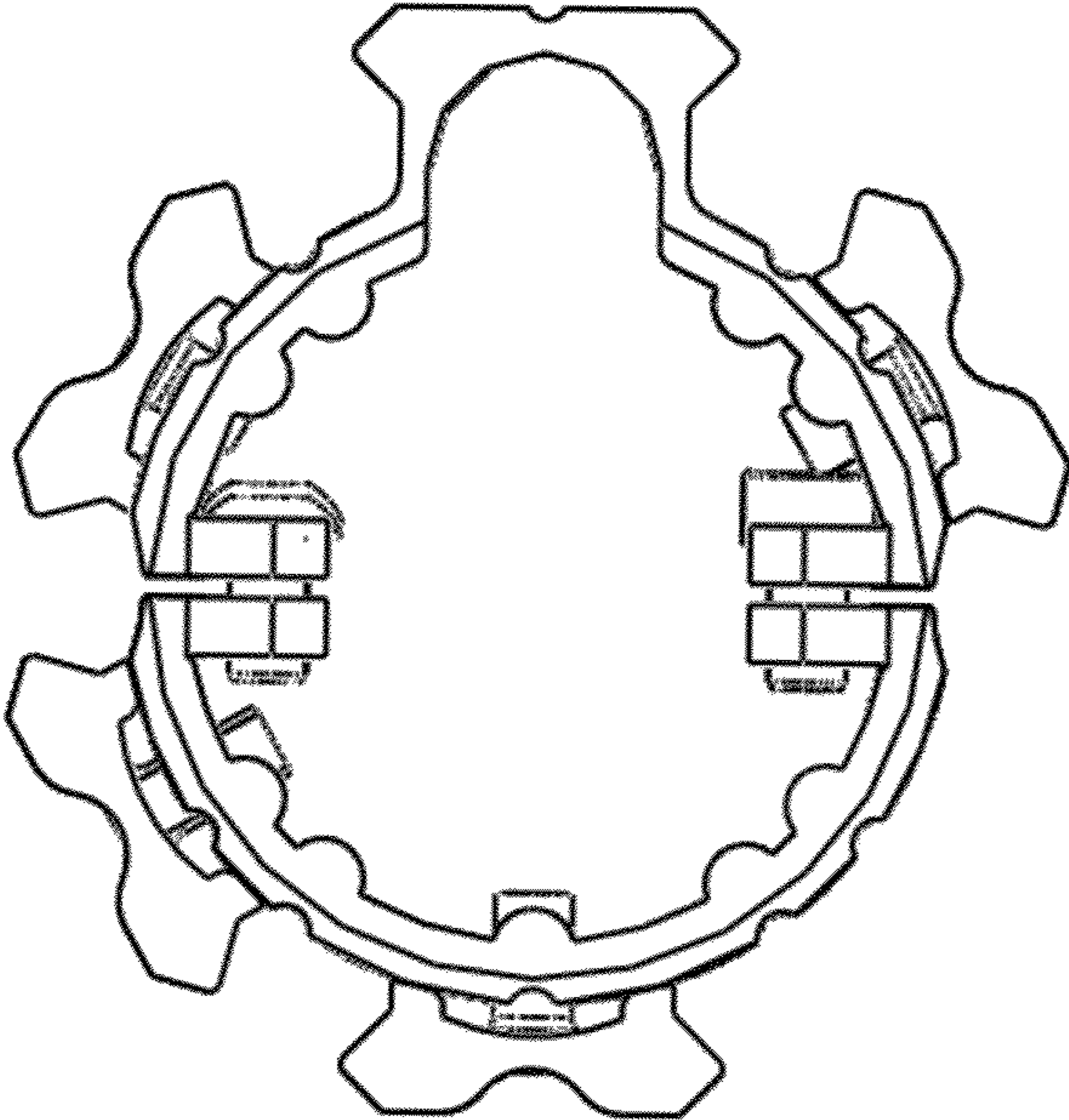


FIG. 3

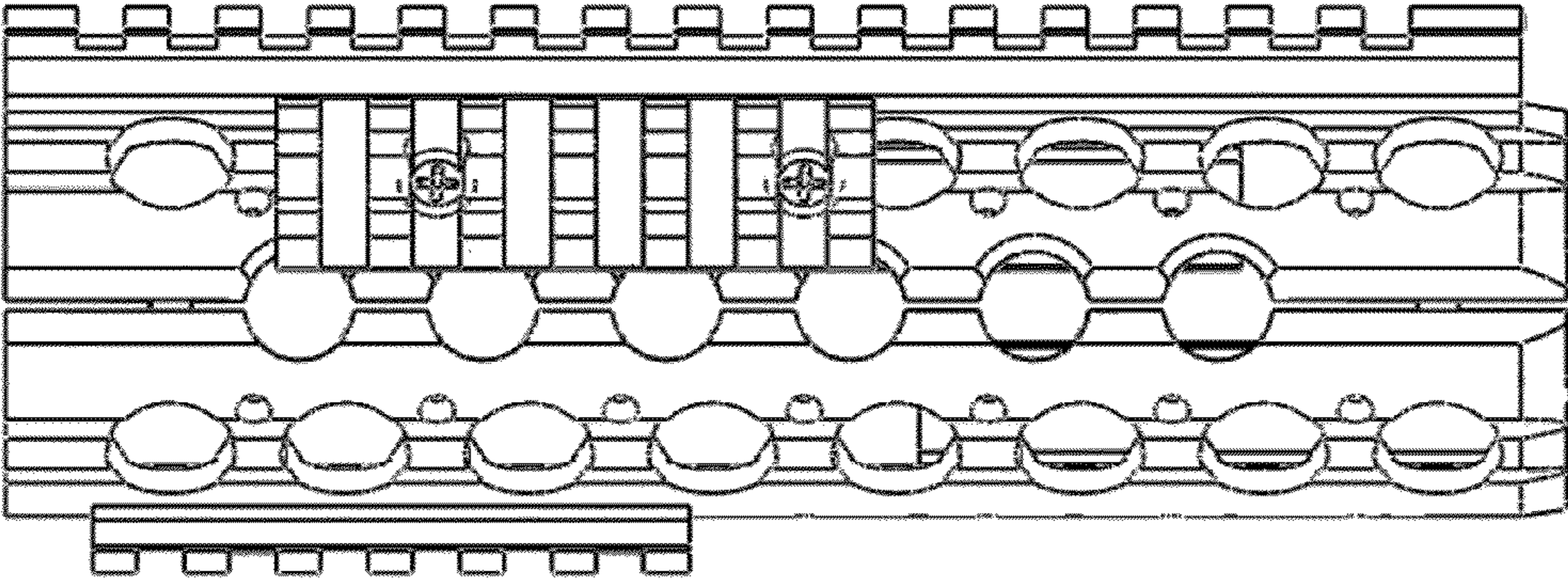


FIG. 4

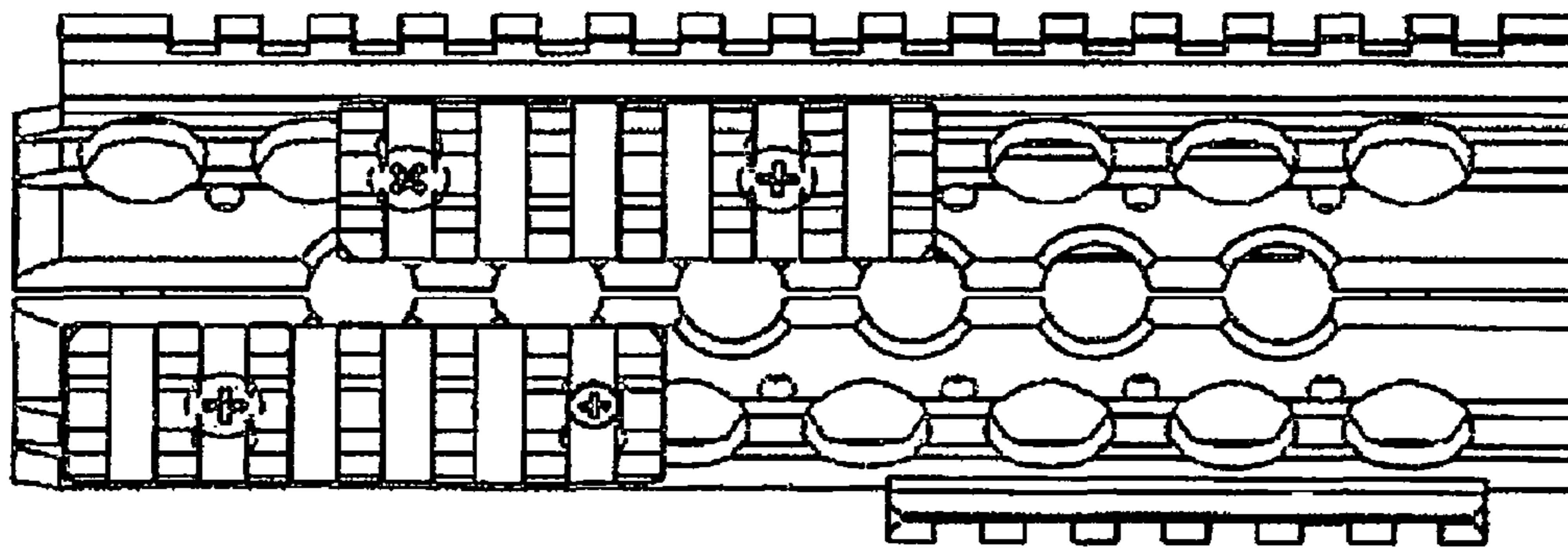


FIG. 5

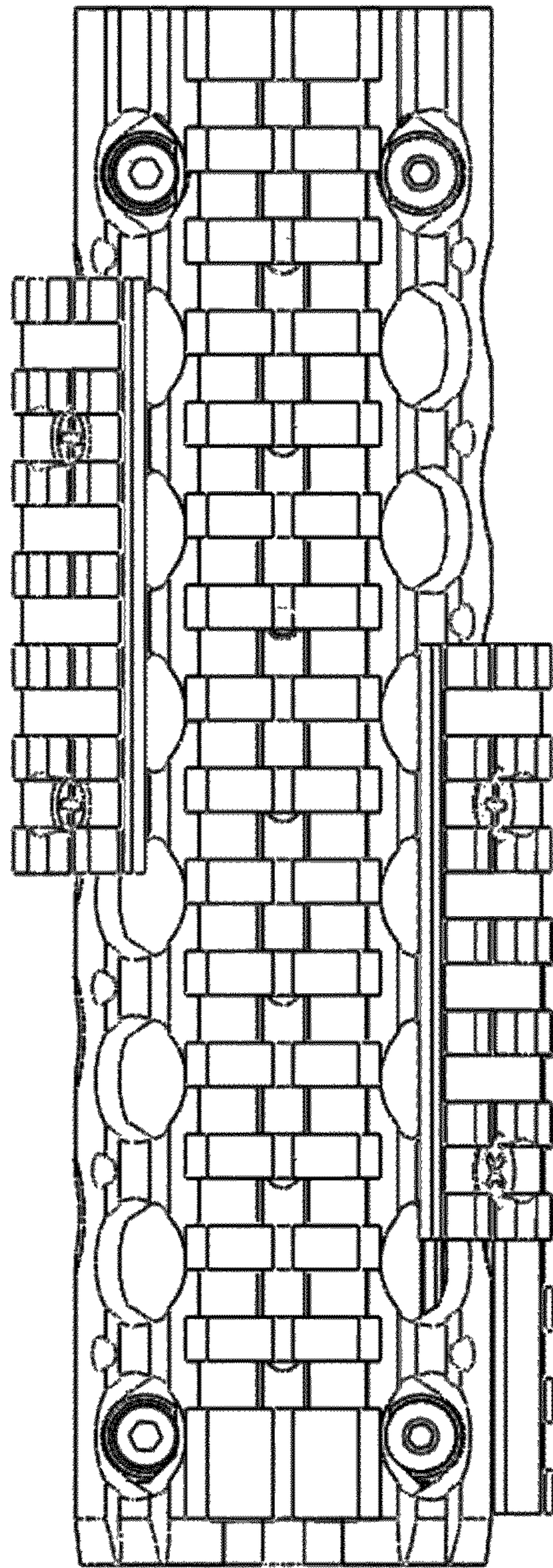


FIG. 6

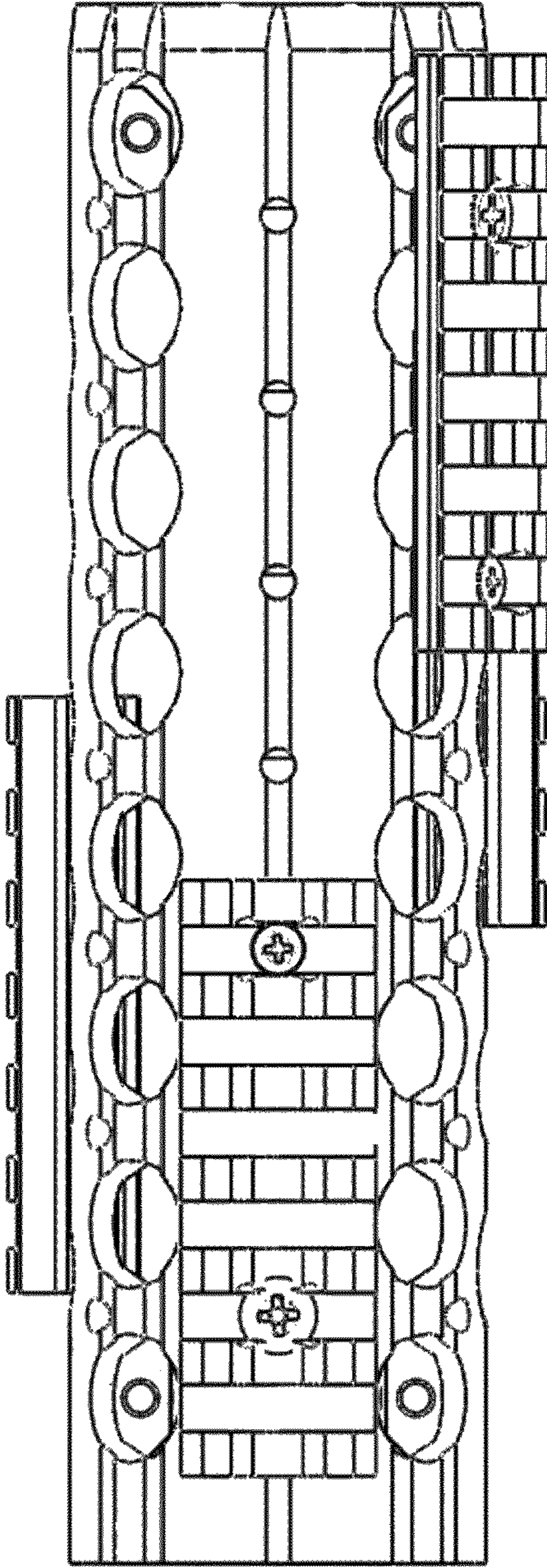


FIG. 7